

VF-AD(Ultra-thin panel) Metal Body Wall Mounted Exhaust Fan



Description:

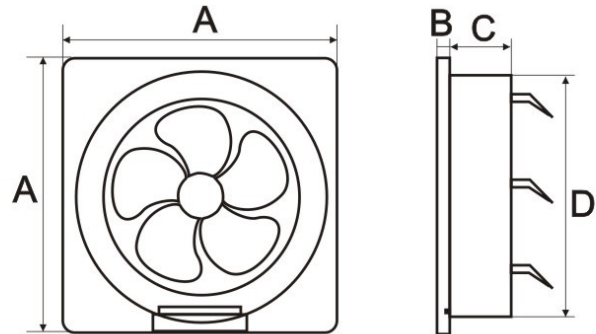
- Exhaust type
- The fan shall be suitable for wall mounting
- Condenser motor with thermo cut-off
- Lubricated sintered bush for long life operation
- High performance propeller fan adopted
- Automatic shutter
- Powder painted metallic orifice, blade sustain high temperature and fire
- Detachable oil cup collects oil drops effectively
- Pre-painted steel frame and shutter strengthen product durability.

SPECIFICATIONS

Model	Rated Voltage [V]	Power [W]	Air-flow [m ³ /h]	Noise [dB]	Size [mm]
VF-AD6	220-240	25	330	37	150/6"
VF-AD8	220-240	32	520	40	200/8"
VF-AD10	220-240	42	860	42	250/10"
VF-AD12	220-240	50	1200	47	300/12"

DIMENSION(mm)

Model	A	B	C	D
VF-AD6	225x225	30	75	172
VF-AD8	295x295	30	90	242
VF-AD10	350x355	30	90	291
VF-AD12	400x405	30	90	335



PERFORMANCE CURVE

