

POLLRICHDLK®  
FAN FACTORIES

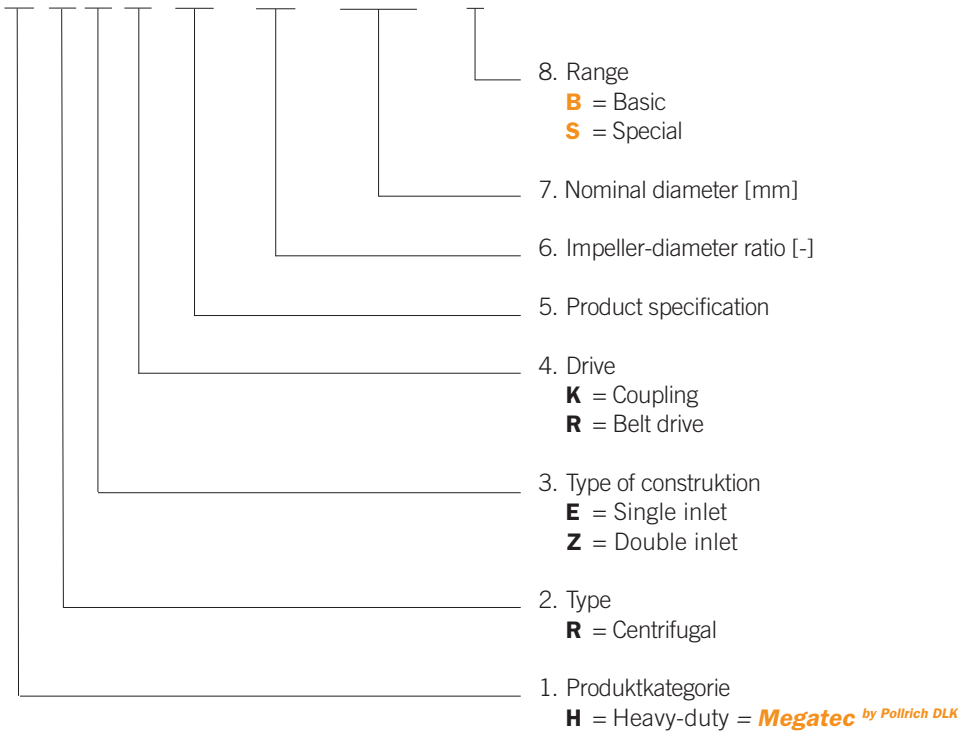
# Centrifugal fans clutch- and belt driven



## Type code and symbols

### Type code for centrifugal fans

**H R E K 01 - 28 - 0400 - B**



### Type code of all products

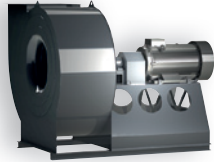
Product category	Type	Type of construction	Drive
<b>H</b> _Centrifugal fan (heavy-duty)	<b>A</b> _Axial	<b>O</b> _Without guide vanes	<b>M</b> _Motor
<b>C</b> _Centrifugal fan (compact)	<b>R</b> _Centrifugal	<b>N</b> _Outlet guide vanes	<b>K</b> _Coupling
<b>A</b> _Axial fan		<b>V</b> _Inlet guide vanes	<b>R</b> _Belt drive
<b>P</b> _Plug fan		<b>R</b> _Reversible	
<b>S</b> _Smoke extraction fan		<b>E</b> _Single inlet	
		<b>Z</b> _Double inlet	
		<b>T</b> _Tunnel	
		<b>J</b> _Jetfan	
		<b>D</b> _Roof	
		<b>G</b> _Car park	

### Symbols

N	Speed
DN	Nominal diameter
$L_w(A)$	Sound power level A-weighted
$p_f$	Fan pressure
$p_{sf}$	Static fan pressure
$p_d$	Dynamic fan pressure
$q_v$	Flow rate

	Seite
<b>Brands and Products</b> .....	<b>2</b>
<b>Project planning advice</b> .....	<b>4</b>
<b>Characteristic Determination</b> .....	<b>9</b>

<b>Comparing the Centrifugal fans</b> .....	<b>10</b>
---	-----------



**Megatec** by PollrichDLK

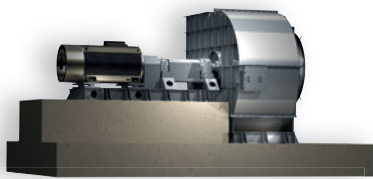
**Centrifugal fans, clutch driven**

Product-specific information

<b>HREK</b> -Product group, diameter ratio 28-71, DN 400-1400, 800 °C Constant temperature .....	<b>12</b>
---	-----------

**Accessories**

for product group <b>HREK</b> .....	<b>122</b>
-------------------------------------	------------

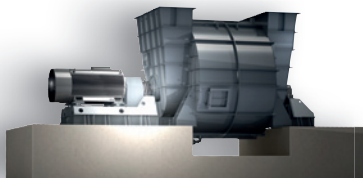


**Megatec** by PollrichDLK

**Centrifugal fans, clutch driven**

Product-specific information

<b>HRZK</b> -Product group, diameter ratio 25-71, DN 1600-3150, 800 °C Constant temperature .....	<b>132</b>
--	------------

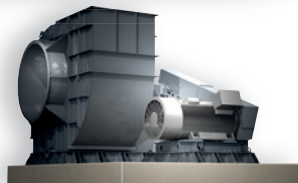


**Megatec** by PollrichDLK

**Centrifugal fans, clutch driven**

Product-specific information

<b>HRZK</b> -Product group, diameter ratio 25-71, DN 1600-3150, 800 °C Constant temperature .....	<b>134</b>
--	------------



**Megatec** by PollrichDLK

**Centrifugal fans, belt driven**

Product-specific information

<b>HRER</b> -Product group, diameter ratio 25-71, DN 400-2000, 800 °C Constant temperature .....	<b>136</b>
---	------------

# PRODUCTS PLUS FULL-SERVICE

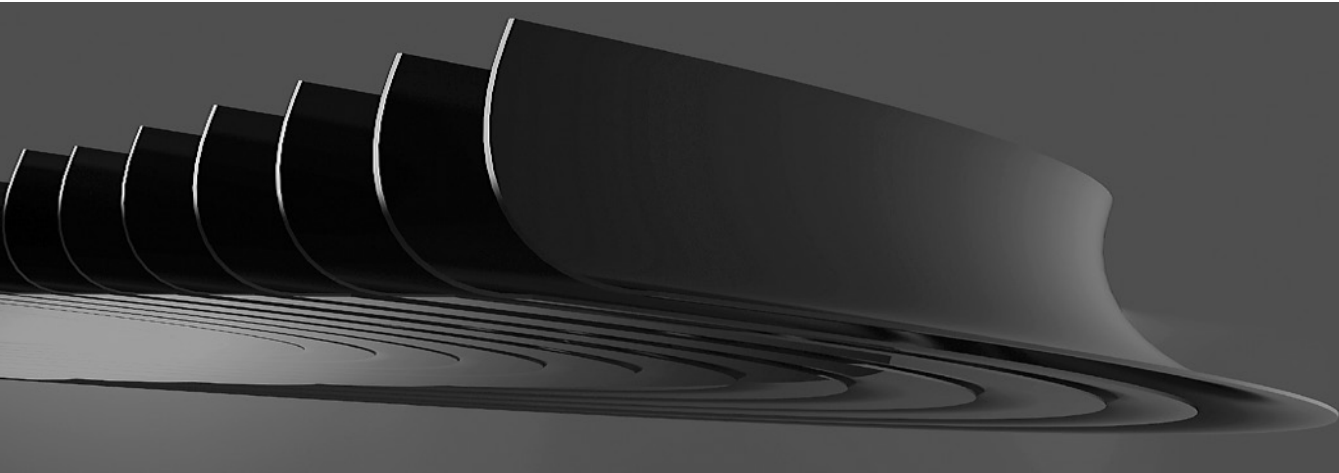


## The Trademark Pollrich DLK Fan Factories®

The trademark “Pollrich DLK Fan Factories” stands for **more than 40 years of production know-how of industrial fans**. DLK Ventilatoren GmbH in Schöntal-Berlchingen / Germany manufactures with a workforce of more than 100 employees axial and centrifugal fans for nearly any industrial application.

As **the only manufacturer in the world offering all five product segments of industrial fans**, we propose an unmatched range of products for the most different requirements of our customers. As our sales teams are organised in market segments they will better understand the specific project of their customer and supply knowledgeable solutions.

With a mix of standardisation, sophisticated variant management, tight internal organisation, and an intelligently controlled staff employment, we manufacture as well **standard fans as pinpointed special units** – always precisely matching the customer’s requirements, including highest efficiency, zero-defect and shortest delivery time.



**Our R&D department** combines expertise within all sectors of fan technology with highly efficient simulation tools such as CFD (Computational Fluid Dynamics) for flow visualisation and FEM (Finite-Element-Method) to calculate the structure-mechanical characteristics, as well as test ducts and -chambers according to international standard ISO 5801, equipped with the latest measuring technology in order to determine the aerodynamic and aeroacoustic characteristics.

**Our company's commitment is centered to high quality and customer's needs.** Our understanding for quality is not limited to the product and to the production methods certified according to DIN ISO 9001. Our quality commitment includes the results of the individual work of every employee. This is the philosophy that every employee is realising towards inside and outside of the company. Products and management processes are consistently adjusted to the customer's requirements by applying Kaizen/CIP. This means for our customers: Qualified advice and support, innovative product solutions, reliable delivery times and unvarying high product quality.

We take care of you, wherever you are in the world, with our comprehensive power service package beginning at the moment of feasibility or project studies, passing by the commissioning on site, and ending in a first class after sales service. Our **worldwide acting service team** will be ready to help every day of the year for 24 hours.

## Project planning advice

### Sound calculations

This section first looks at the theoretical principles required to calculate sound. It then goes on to explain how the sound calculations are carried out at PollrichDLK.

### Theoretical principles

#### Sound pressure

Sound pressure waves are small pressure fluctuations that are masked by the ambient pressure. Due to the fact that the sound pressure in the normal pressure unit Pa exceeds several powers of 10, it is usually stated as the sound pressure level in a logarithmic form in the unit decibel [dB]:

(1)

$$L_p = 10 \cdot \lg \left( \frac{p_{\text{eff}}^2}{p_0^2} \right)$$

In (1) the reference value corresponds to the lower hearing threshold.

A sound pressure level of e.g. 8 dB therefore corresponds to 108/10 times the lower hearing threshold. This correlation is shown by the examples in Table 1

**Table 1:** Correlation between the sound pressure and sound pressure level based on examples

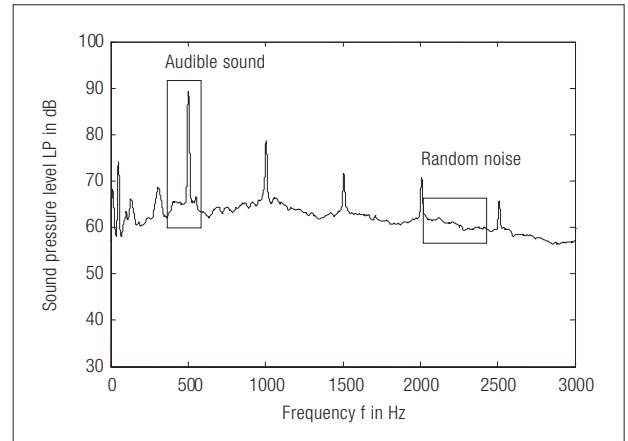
Sound sources	Distance in m	Sound pressure p in Pa	Sound pressure level Lp in dB
Jet plane	30	200	140
Pain threshold		63,2	130
Discomfort threshold		20	120
Chainsaw	1	6,3	110
Disco loudspeaker	1	2	100
Diesel engine	10	0,63	90
Busy road	5	0,2	80
Vacuum cleaner	1	0,063	70
Normal speech	1	0,02	60
Home		0,0063	50
Quiet library		0,002	40
Quiet bedroom		0,00063	30
Background in a TV-studio		0,0002	20
Hearing threshold		0,00002	0

The sound pressure level depends on the distance rL to the sound source and decreases as the distance increases in the ratio.

(2)

$$p_{\text{eff}} \cong \frac{1}{r_L^2}$$

A sound usually contains sounds of different frequencies. Therefore it makes sense to present sound as a range that is dependent on the frequency. Figure 1 shows a so-called narrow band spectrum. In this, the broad-range basic noise is often masked by the striking sounds reflected in the various single frequency peaks.

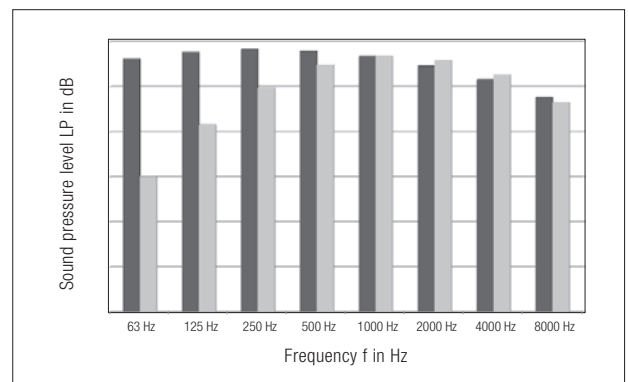


**Figure 1:** Narrow band spectrum - sound pressure level

In practice, the narrow frequency bands are often summarised into octave bands that are defined in DIN EN 61260. This results in an octave band spectrum, Figure 2. The middle frequencies of the octave bands are 63, 125, 250, 500, 1000, 2000, 4000 and 8000 Hz. To calculate an octave band spectrum, all narrow band sound pressure levels  $L_p$  within an octave band  $\Delta f_{\text{Oktav}}$  are added up:

(3)

$$L_{p,\text{Oktav}} = 10 \cdot \lg \left( \sum_i 10^{\frac{L_{p,i}(\Delta f_{\text{Oktav}})}{10}} \right)$$



**Figure 2:** Octave band spectrum - sound pressure level non-weighted and A-weighted

#### Sound power

In contrast to the sound pressure level, the sound power level  $L_w$  does not depend on the distance to the sound source. To determine the sound power level, the sound pressure level is first determined at several points on the enveloping surface A around the fan; this is then summarised according to frequency in a mean octave band spectrum:

(4)

$$L_{p,m} = 10 \cdot \lg \left( \frac{1}{j} \sum_{i=1}^j 10^{\frac{L_{p,\text{Oktav},i}(f)}{10}} \right)$$

The mean sound pressure level is converted to the sound power level in the octave spectrum by means of the enveloping surface unit  $L_s$ :

(5)

$$L_w = L_{p,m} + L_s$$

## Project planning advice

The enveloping surface unit is determined in (6) as follows:

$$L_s = 10 \cdot \lg \left( \frac{A}{A_0} \right) \text{ mit } A_0 = 1\text{m}^2 \quad (6)$$

The k octave bands can be summarised to a total sound power level  $L_{W, \text{tot}}$  by means of logarithmic addition for all mean frequencies:

$$L_{W, \text{ges}} = 10 \cdot \lg \left( \sum_{i=1}^k 10^{\frac{L_{W,i}}{10}} \right) = 10 \cdot \lg \left( 10^{\frac{L_{W, 63\text{Hz}}}{10}} + \dots + 10^{\frac{L_{W, 8000\text{Hz}}}{10}} \right) \quad (7)$$

### A-weighting

The A-weighting is a relativisation that takes into account the characteristics of the human ear (unit dB(A)). To determine an A-weighted octave spectrum, the level corrections shown in Table 2 are added to the non-weighted spectrum:

$$L_{p, A} = L_p + L_{A\text{-Assessment}} \quad (8)$$

Table 2: A-weighted - level correction  $L_{A\text{-weighted}}$

63 Hz	125 Hz	250 Hz	500 Hz	1000 Hz	2000 Hz	4000 Hz	8000 Hz
-26,2	-16,1	-8,6	-3,2	0	+1,2	+1,0	-1,1

### Comments

To calculate the sum of several sound sources, the individual levels are added logarithmically:

$$L = 10 \cdot \lg \left( \sum_{i=1}^k 10^{\frac{L_i}{10}} \right) = 10 \cdot \lg \left( 10^{\frac{L_1}{10}} + 10^{\frac{L_2}{10}} + \dots + 10^{\frac{L_k}{10}} \right) \quad (9)$$

When two sound sources of the same level of noise are added, the sound value always increases by 3dB regardless of the sound level.

The enveloping surface is usually either a spherical surface

$$A = 4 \cdot \pi \cdot r^2 \quad (10)$$

or a hemispheric surface

$$A = 2 \cdot \pi \cdot r^2 \quad (11)$$

## Calculation and measurement at Pollrich DLK

If there are no sound measurements from the sound laboratory, PollrichDLK carries out a calculation based on the VDI 3731. The guideline divides the continuous flow machines into the following fan types:

- Axial with guide vane
- Axial without guide vane
- Centrifugal middle pressure
- Centrifugal high pressure

In these sound calculation methods, the sound power level is first estimated based on the aerodynamic data. Then, based on this, the octave spectrums and then a sound pressure level are determined. The method is applied equally for all fan types, however machine-specific coefficients are used:

- Calculation of the non-weighted sound power level (is the same for cable connections on the suction and pressure side except for high-pressure centrifugal fans)

$$L_W = C_1 + 10 \cdot \lg \left( \frac{p_f \cdot q_v}{\rho_o \cdot q_{v,o}} \cdot \left( \frac{1}{\eta_a} - 1 \right) \right) + 10 \cdot C_2 \cdot \lg \left( \frac{u_2}{a} \right) \quad (12)$$

- Calculation of the A-weighted sound power level

$$L_{W,A} = C_3 + 10 \cdot \lg \left( \frac{p_f \cdot q_v}{\rho_o \cdot q_{v,o}} \cdot \left( \frac{1}{\eta_a} - 1 \right) \right) + 10 \cdot C_4 \cdot \lg \left( \frac{u_2}{a} \right) \quad (13)$$

- Estimation of an octave spectrum using a fan-specific value  $\Delta L_{W, \text{okt}}$  (ST) for every octave band

$$\Delta L_{W, \text{okt}}(\text{St}) = - \left[ C_5 + C_6 \cdot (\lg(\text{St}) + C_7)^2 \right] \quad (14)$$

with the Strouhal number

$$\text{St} = \frac{f \cdot D}{u_2} \quad (15)$$

and addition to the sound power level acc. to Gl. (16) bzw. (17)

$$L_{W, \text{okt}} = L_W + \Delta L_{W, \text{okt}}(\text{St}) \quad (16)$$

$$L_{W,A, \text{okt}} = L_{W,A} + \Delta L_{W, \text{okt}}(\text{St}) \quad (17)$$

Calculation of the sound pressure level for a hemispheric enveloping surface

$$L_{p, \text{okt}} = L_{W, \text{okt}} + 10 \cdot \lg \frac{1}{2 \cdot \pi \cdot r^2} \quad (18)$$

- the A-weighting

$$L_{W,A, \text{okt}} = L_{W, \text{okt}} + \Delta L_{A\text{-Assessment}} \quad (19)$$

- Calculation of both the non-weighted and also the A-weighted total sound pressure level by means of logarithmic addition of the individual values of the octave band acc. to eq. (17).

The values for C1 to C7 are either taken from the standard or adapted accordingly to internal measuring values.

## Project planning advice

### Explosion protection

Fans may only be used in areas in which there may be explosive media if they have been manufactured in compliance with the Directive 94/9/EC. The principles of this Directive are shown below.

#### Theoretical principles

Apart from the CE (CE) and the so-called ATEX symbol (Ex) devices are also labelled with information about the device group, device category, type of protection, explosion subgroup and temperature class, Figure 3.

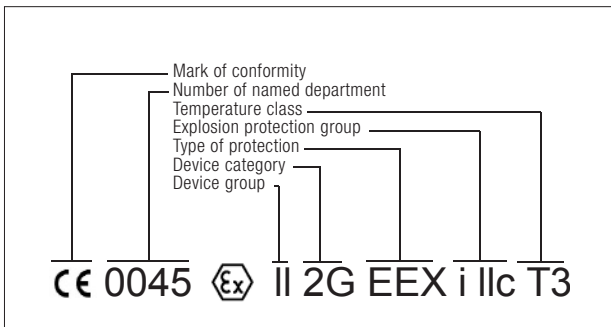


Figure 3: Device identification acc. to the Directive 94/9/EC

The classifications mentioned are explained in the following sections.

#### Device groups

Machines for use in explosion-protection areas are divided into two groups:

1. **Group I** only applies to mining
2. **Group II** applies to all other explosion-protection areas.

#### Zone division

Group I is divided into two sub-groups and is shown Table 3

Table 3: Categories of the device group I

Device group I (mining)			
	Category M1:	Category M2:	
	Very high level of security	High level of security	
Adequate security	Constant, long-term or frequent	Occasionally in normal operations	

The classification of the device group II into appropriate categories is somewhat more complex and is shown Table 4.

Table 4: Categories of the device group II

Device group II other explosive areas						
	Category 1:		Category 2:		Category 3:	
	Very high level of security		High level of security		Normal level of security	
Creation of dangerous atmosphere (gas, dust)	Constant, long-term or frequent		Occasionally in normal operations		Not for normal operations, or only briefly	
Use in zone:	0	20	1	21	2	22
Atmosphere	1G	1D	2G	2D	3G	3D
G=gas, D=dust						

### Types of protection

The type of protection shows the technical action taken to ensure the machine cannot act as an ignition source. Table 5 shows what action can be taken so that non-electrical components can be used in explosion-protection areas acc. to EN 13463-1 ff (non-electric).

Table 5: Types of protection for non-electrical components acc. to EN 13463-1 ff

Types of protection	Abbreviation	Category
Vapour-retarding encapsulation	Ex fr	II 3G
Pressure-resistant capsule	Ex d	II 2G
		II 2D
		II 3G
		II 3D
Constructive safety	Ex c	II 2G
		II 2D
		II 3G
		II 3D
Monitoring of ignition sources	Ex b1 Ex b2	II 2G
		II 2D
		II 3G
		II 3D
Over-pressure encapsulation	Ex p	II 2G
		II 2D
		II 3G
		II 3D
Liquid encapsulation	Ex k	II 2G II 3G

For a complete list of the types of protection, please refer to the Directives EN 60079-0 ff, EN 13463-1 ff and EN 61241-0 ff.

#### Explosion-protection groups

The explosion-protection groups state the materials that the machine may come into contact with. Two protection groups need to be defined for the machine - one for the fan and the other for the motor compartment. The classification of typical gases is shown in Table 6. The classification of further gases and dust common in the industry is listed in the Directive 94/9/EC.

Table 6: Explosion protection groups

Explosion protection groups	
Explosion protection group	Typical gas
I	Methane
II A	Propane
II B	Ethylene
II C	Hydrogen

#### Temperature classes

The temperature class specifies the highest allowed surface temperature of the machine. The division of the classes is shown in Table 7.

Table 7: Temperature classes

Highest allowed surface temperature	Temperature class acc. to: CENELEC IEC USA (NEC 505)
450 °C	T1
300 °C	T2
200 °C	T3
135 °C	T4
100 °C	T5
85 °C	T6



## Project planning advice

The temperature classes are selected like the classification of the explosion protection types depending on the material used and are also stated in the Directive 94/9/EC or corresponding tables.

### Identification in dusty atmosphere

When fans are used in a dusty atmosphere the identification has to be changed. The explosion protection group is not used anymore. The temperature class is replaced by the maximum surface temperature.

CE 0045 Ex II 2D EEX i T125°C

### Similarity laws

This section looks at the similarity laws that serve the conversion of the measuring data for changed operating conditions.

If two machines have a geometrical - strictly speaking also kinematical and dynamic - similarity, their operating data can be mutually converted. 2 machines are geometrically similar if all geometric dimensions can be mutually converted by means of multiplications with a constant factor. Angles, such as e.g. the blade angle, are the same for geometrically similar machines.

This means that the data of a fan can be converted to another impeller diameter, another numbers of revolution or another density of the flowing fluids.

The following ratios for the conversion of volume flow, pressure increase and shaft output can be derived from the dimension analyses (the index "old" designates the known initial factors, the index "new" stands for those factors that still have to be determined):

#### Volume flow

$$q_{V,new} = \left(\frac{D_{new}}{D_{old}}\right)^3 \cdot \left(\frac{n_{new}}{n_{old}}\right) \cdot q_{V,old} \quad (20)$$

The change in the diameter of the impeller affects the required volume flow to the power of 3, a change of speed is linearly proportional to the volume flow. A change in density does not affect the volume flow.

#### Pressure increase

$$p_{t,new} = \left(\frac{D_{new}}{D_{old}}\right)^2 \cdot \left(\frac{n_{new}}{n_{old}}\right)^2 \cdot \left(\frac{\rho_{new}}{\rho_{old}}\right) \cdot p_{t,old} \quad (21)$$

The increase in pressure depends on the square of the change of the diameter and the number of revolution respectively. Density changes are linear.

#### Shaft output

$$P_{a,new} = \left(\frac{D_{new}}{D_{old}}\right)^5 \cdot \left(\frac{n_{new}}{n_{old}}\right)^3 \cdot \left(\frac{\rho_{new}}{\rho_{old}}\right) \cdot P_{a,old} \quad (22)$$

The recorded shaft output of a fan depends heavily on its diameter (to the power of 5). Changes in speed are stated to the power of 3, density changes are linear.

Apart from the conversion to other construction parameters, these formulas are often used to make measurements comparable regardless of the test conditions. To this end, the results are standardised to an air density of  $\rho = 1.2 \text{ kg/m}^3$ . An example of a conversion of given data to a standard density is shown in the chapter "Units and conversion factors".

The number of revolution is converted when a frequency converter (FU) is used, when there are differing pole numbers for the drive motor or different network frequencies. If there are slight changes to the operating status, these conversions are sufficient, if there are large changes of diameter or number of revolution, changes to the efficiency level need to be taken into consideration as a result of the so-called Reynolds number influences. This is usually carried out by means of upgrading equations.

### System characteristics, performance curves and operating behaviour in the event of flow disturbances

The system characteristic is a system-specific parameter that describes the pressure loss of the entire system. The pressure loss of a system depends on the density of the flow medium, the flow speed and a specific loss coefficient  $\xi$ .

For many fittings such as manifolds, vanes, rectifier or throttles, there are empirically determined loss coefficients in various literature publications that can be used to calculate the system pressure loss. The pressure loss for straight flows through pipes and channels is determined by means of a pipe friction coefficient  $\lambda$ .

The total pressure loss of a system is calculated as the sum of the individual losses as follows:

$$p_s = \sum_{i=1}^1 \xi_i \frac{\rho}{2} c_i^2 \quad (38)$$

The fan characteristic is measured on a standardized test rig under optimised flow conditions. Figure 6 shows the schematic sketch of a corresponding chamber test stand. The system losses are simulated by means of a controllable throttle.

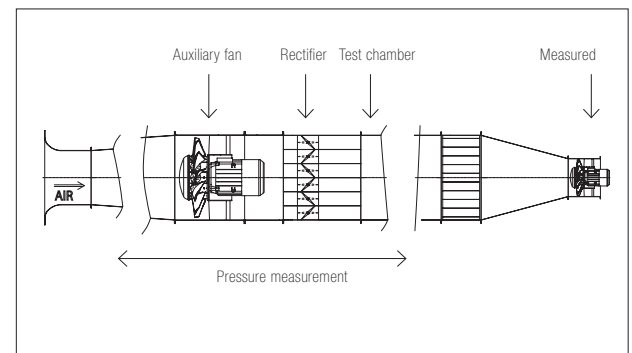


Figure 6: standardized test rig (according to ISO 5801)

The operating point of a fan is the point where the system characteristic intersects the fan characteristic (see Figure 7).

## Project planning advice

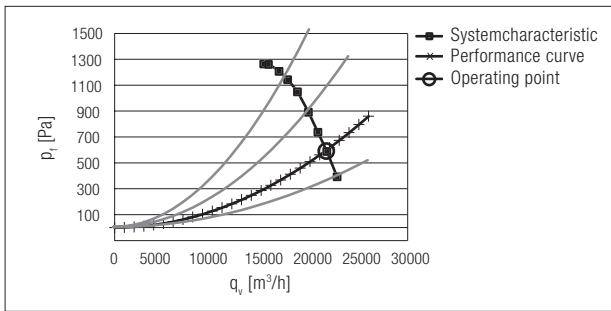


Figure 7: Operating point as the intersection of the system and performance curves

Ignored or inadequately considered influences that change the system pressure loss and therefore change the flow behaviour lead to a change in the system characteristic and therefore also shift the operating point. Also, they can cause an uneven velocity field at the inflow and outflow intersection of the fan which can excite the impeller into damaging vibrations.

PollrichDLK has a large number of studies relating to the fittings on the intake and pressure sides. Figure 8 shows various inflows. The use of an inflow nozzle is ideal (Figure 8a). Sharp-edged cross-section changes (Figure 8b and 8c) will mean that the flow cannot follow these and will create a swirl that prevents homogeneous inflow.

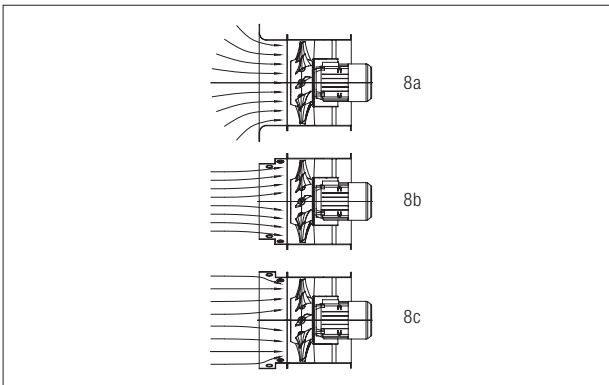


Figure 8: Example of inflows to the impeller

Steps should be taken to ensure the disturbance-free inflow and outflow of the impeller. There must be an adequate distance between the fan and the fittings.

Detailed information about the installation situation is a prerequisite for the adequate installation of the fan.

### Units and conversion factors

#### Length dimensions

Apart from the SI units, the following other length units are also used in the engineering field:

- Foot/feet, 1 ft = 12 in = 0.3048 m.
- Mile; (usually terrestrial mile) of the USA, 1 mile = 1.609344 km.
- Yard, 1 yard = 1 yd = 3 ft = 36 inches = 0.9144 metres
- Inch 1 in = 1" = 2.54 cm = 0.0254m

### Radian

Angles can either be stated in radians (angle in relation to  $\pi$ ) or in degrees.  $180^\circ$  degree correspond to a radian of  $\pi$ . Important radians are shown in Table 9.

Table 9: Conversion radian and degrees

0	$1/4 \pi$	$1/2 \pi$	$3/4 \pi$	$1 \pi$	$5/4 \pi$	$3/2 \pi$	$7/4 \pi$	$2 \pi$
$0^\circ$	$45^\circ$	$90^\circ$	$135^\circ$	$180^\circ$	$225^\circ$	$270^\circ$	$315^\circ$	$360^\circ$

### Pressure

Depending on the geographical region and the industrial background, the pressure is often stated in various units. The conversion can be carried out using the unit Pa = Pascal based on the Table 10 and 11. Here the following applies: mmHg = mm mercury column, mmWS = mm water column, inWS = Inch water column and PSI = pounds per square inch.

Table 10: Pressure conversion in Pascal

Unit	in Pa
$1 \text{N/m}^2$	1
$1 \text{N/mm}^2$	$1,0 \text{E}-6$
1mmWS	9,8066
1Inch WS	249,1
1mmHg	133,322
1bar	$1,0 \text{E}5$

Table 11: Pressure conversion from Pascal

Unit	in Pa
1Pa	$1 \text{N/m}^2$
1Pa	$1,0 \text{E}6 \text{N/mm}^2$
1Pa	0,10197mmWS
1Pa	$4,015 \text{E}-3 \text{Inch WS}$
1Pa	$7,501 \text{E}-3 \text{mmHg}$
1Pa	$1,0 \text{E}-5 \text{bar}$

### Rotational speed in peripheral speed

$$u_{1,2} = 2\pi nr_{1,2} = \pi nD_{1,2} \quad (35)$$

### Conversion of operating density to reference density

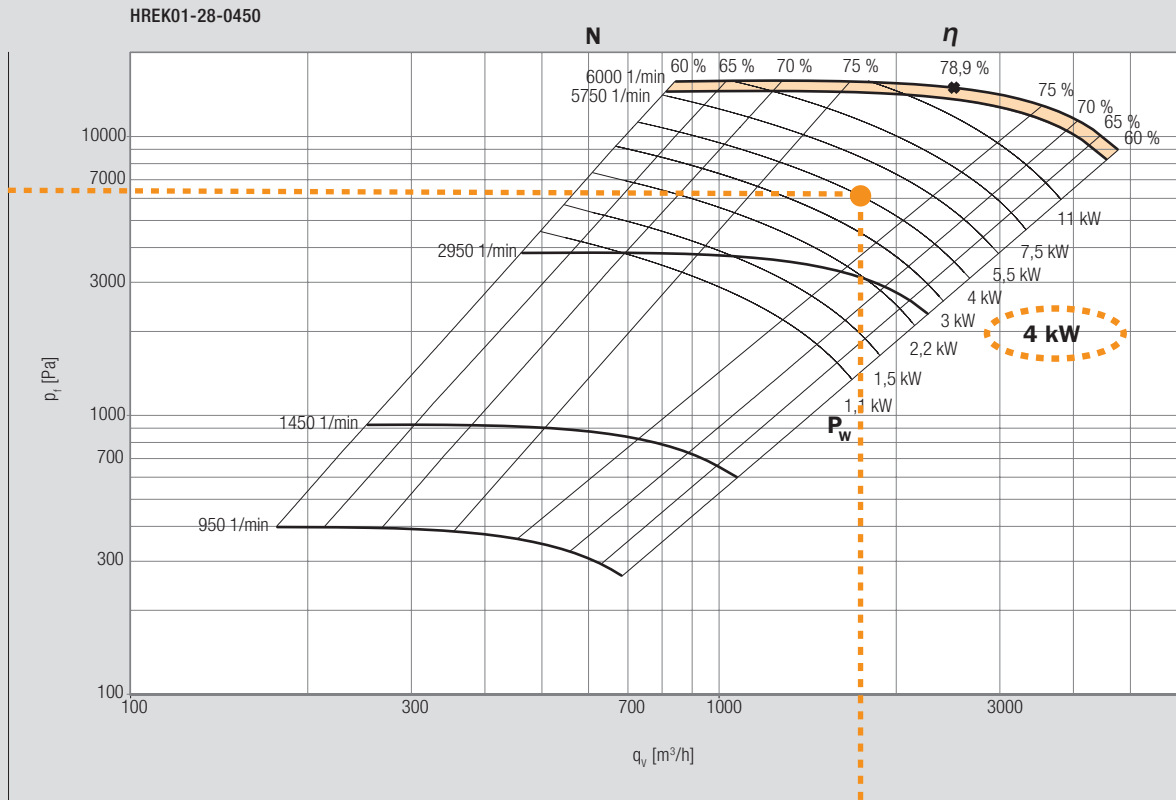
The measured results depend on the air density in the environment and the test rig. These influences are eliminated by conversion to a reference density. Usually the reference density is defined as  $\rho_B = 1,2 \text{ kg/m}^3$ . The actual density during measuring is  $\rho = 1,15 \text{ kg/m}^3$ . For a measured pressure increase of  $p_i = 1000 \text{ Pa}$  and an impeller output of  $P_a = 10 \text{ kW}$ , the result is the following conversion according to the Gl. (36) and (37):

$$P_{r,new} = \frac{\rho_B}{\rho} p_i = \frac{1,2}{1,15} 1000 \text{ Pa} = 1043 \text{ Pa} \quad (36)$$

$$P_{a,new} = \frac{\rho_B}{\rho} P_a = \frac{1,2}{1,15} 10 \text{ kW} = 10,43 \text{ kW} \quad (37)$$

The volume flow remains unchanged.

### Characteristic Determination:



#### Example:

- Desired duty point  $q_v = 1500 \text{ m}^3/\text{h}$ ;  $p_f = 6500 \text{ Pa}$ .
- Select performance that is above the duty point.  
Example **4 kW**.
- Input the selected motor power and read the corresponding order number from the table.  
Here this is: **B110010**
- Use inverter drive if the duty point is not close to a standard rotational speed.

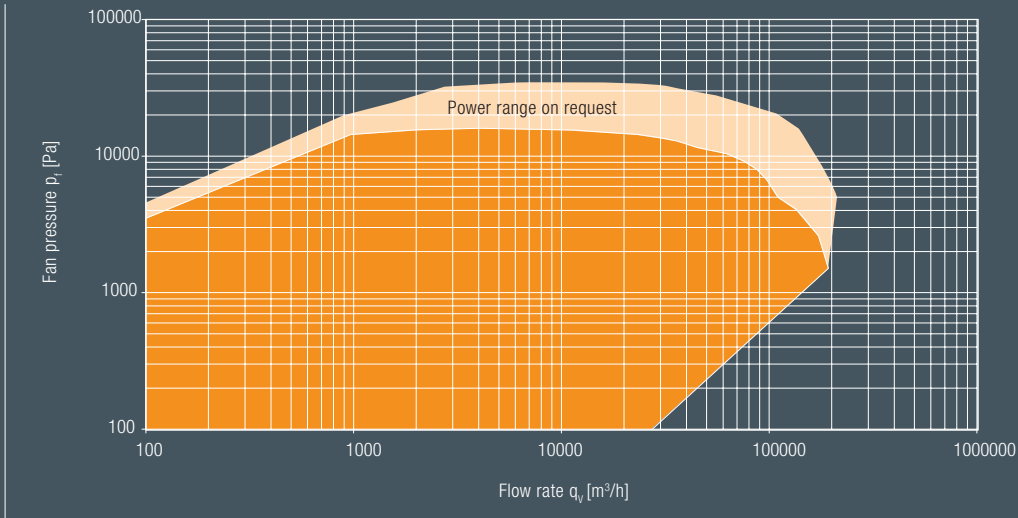
#### HREK01-28-0450-B

Order no. Fan	Motor power output [kW]	Speed [1/min]	Voltage [V] Connection	Nominal current [A]	Starting current [A]	Weight ca. [kg]
B110009	3	2891	230/400 $\Delta/Y$	5.9	46.9	155
B110010	4	2914	400/690 $\Delta/Y$	7.6	57.3	158
B110011	5.5	2937	400/690 $\Delta/Y$	10.6	79.5	175
B110012	7.5	2940	400/690 $\Delta/Y$	13.9	104.3	180
B110013	11	2930	400/690 $\Delta/Y$	19.9	150.9	223
B110014	1.1	1440	230/400 $\Delta/Y$	2.5	15.2	144
B110015	1.5	1445	230/400 $\Delta/Y$	3.4	23.1	147
B110016	2.2	1440	230/400 $\Delta/Y$	4.6	32.5	157
B110017	3	1440	230/400 $\Delta/Y$	6.2	43.3	163

All indicated values for 400V/50Hz/3~.

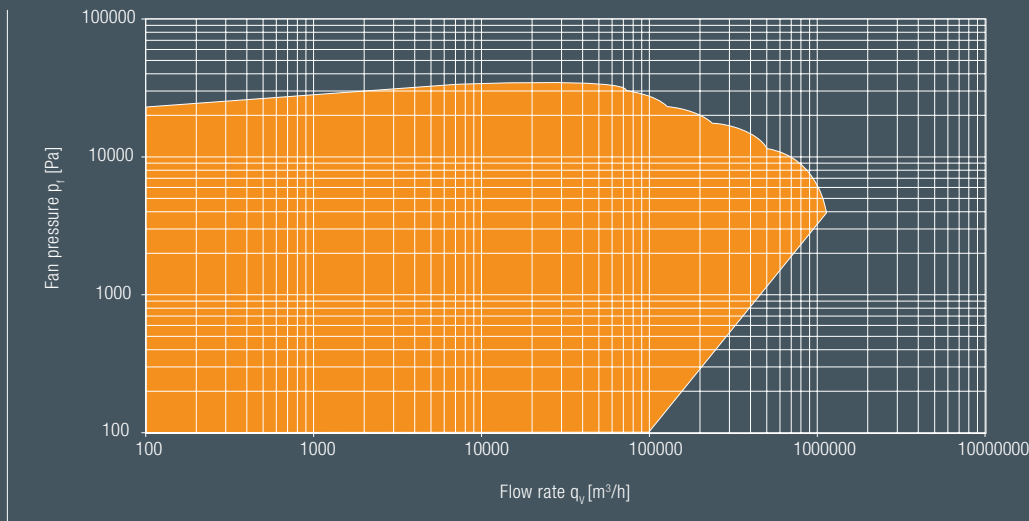
Centrifugal fans, clutch driven

Product Series HREK01  
28-71 / 400-1400



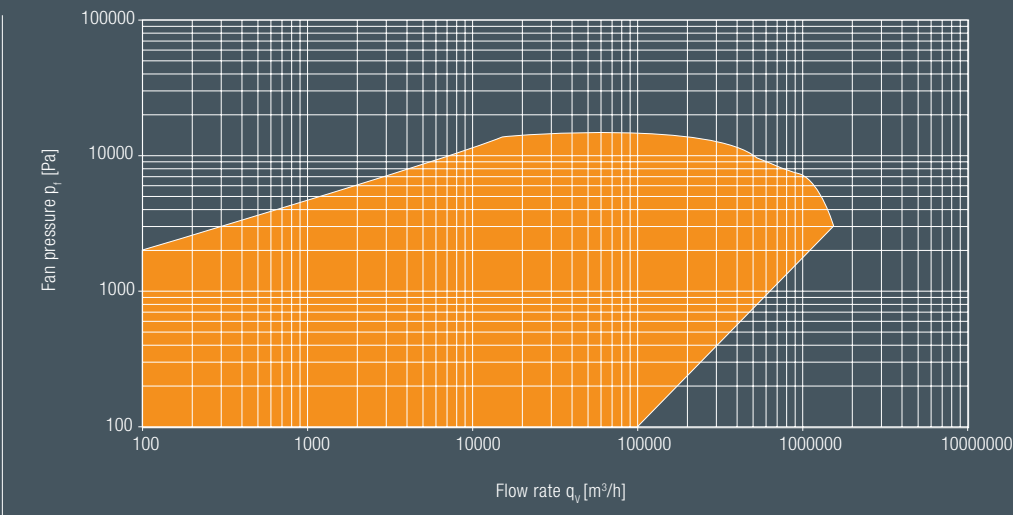
diameter relationship / diameter	Page
28 / 400 - 1400	12-25
31 / 400 - 1400	26-37
35 / 400 - 1400	38-49
40 / 400 - 1400	50-61
45 / 400 - 1400	62-73
50 / 400 - 1400	74-85
56 / 400 - 1400	86-97
63 / 400 - 1400	98-109
71 / 400 - 1400	110-121

Product Series HREK01  
25-71 / 1600-3150



diameter relationship / diameter	Page
25 - 71 / 1600 - 3150	132/133

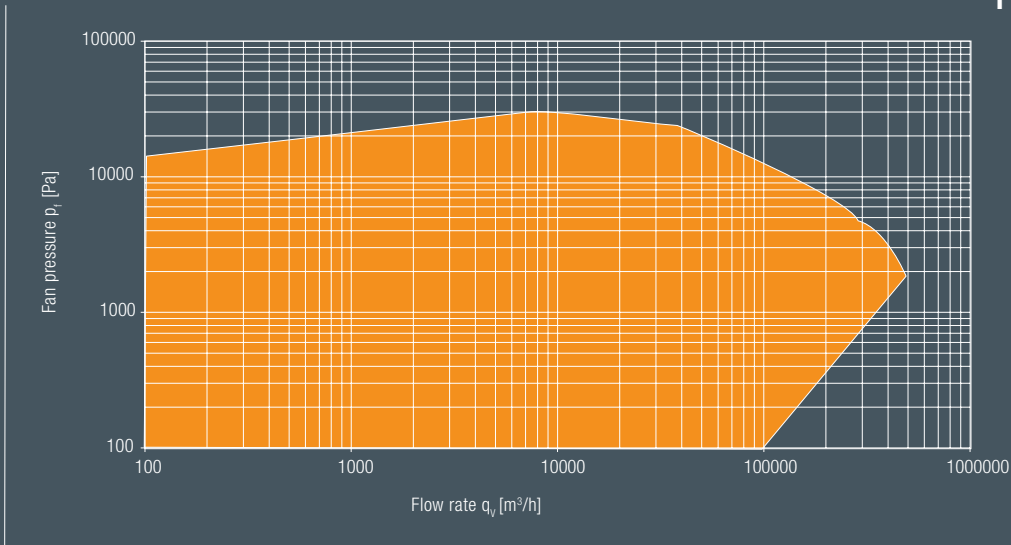
Product Series HRZK01  
25-71 / 1600-3150



diameter relationship / diameter	Page
25 - 71 / 400 - 3150	134/135

## Centrifugal fans, belt driven

## Product Series HRER01 25-71 / 400-2000

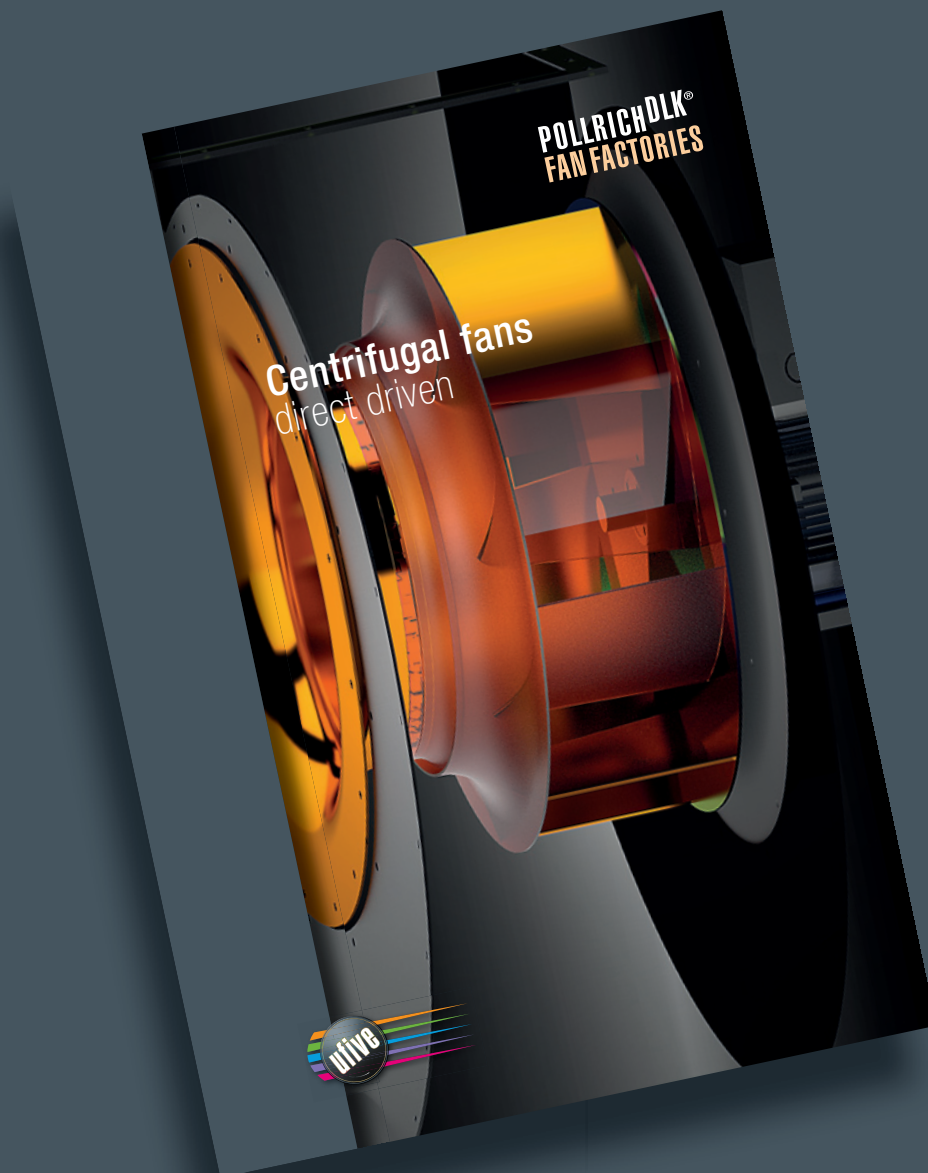


diameter  
relationship /  
diameter

Page

25 - 71 / 400 - 2000

136/137



# CENTRIFUGAL FAN HREK

## 28-71 / 400-1400

### Application:

The clutch driven heavy centrifugal fans of product group HREK (Megatec by Pollrich DLK) can be used for extraction and supply. Optionally they can be delivered for dusty or aggressive environments.

### The main advantages:

- Aerodynamically optimized impellers
- Wide range of accessories
- High efficiency through wide product portfolio
- Compact design
- Robust design
- Large increases in pressure as well as high volume flows
- Customized solutions
- Pressure and pressure shock resistant versions available

### Permissible flow temperature:

-20 to + 80 °C. Higher operating temperatures to 800 °C on request.

### Casing:

Spiral casing fully welded with inlet cone in mild steel or stainless steel. Optimum corrosion protection by powder coating (RAL 7015 ).

Optional: Hot-dip galvanizing, special coating. Fully welded inlet box, sealing systems. Special design for wearing substances, aggressive media or high gas temperatures.

### Impeller:

High performance radial impeller, single inlet , backward curved blades. Standard, in mild steel or stainless steel. Dynamically balanced to DIN ISO 1940-1 grade G 6.3 <4 mm / s Optimum corrosion protection by powder coating (RAL 7015 ).  
Optional: Increased speed with high strength materials, further impeller diameters, different blade arrangements.

### Drive:

Three-phase motor, IP55, insulation class F, IE2 , Up to and including 3 kW: 230V/400V, 400V/690V from 4 kW upward. Coolant temperature at motor max. 40 °C.  
Thermistors wired to the motor terminal box.  
Impeller connected via clutch  
Optional: Custom motor specification.

### Output adjustment:

Our motors are standard equipped with PTC thermistors for operation with frequency converter (FU) with all-pole sinus filter. The maximum speed of the impeller and the max. Power output of the motor are to be observed.

### Air performance curves :

Show the total pressure increase  $p_f$  as a function of the volume flow  $q_V$  for pressure-side duct connection. Power is measured at the suction chamber and ducted test rigs according to DIN 24163 and ISO 5801 for an air density of  $1.2 \text{ kg / m}^3$  and 20 °C. For the operating data of our fans tolerances are in accordance with accuracy class 2 according to DIN 24166.

### Installation:

In different casing positions (0°, 90°, 270° ), right- and left-handed available. More Casing positions on request. Casing positions according to EUROVENT.

### ATEX:

All fans are also available under ATEX Directive.

### API:

Design according API possible.

### Units:

All dimensions in this catalogue are given in mm, weights in kg.

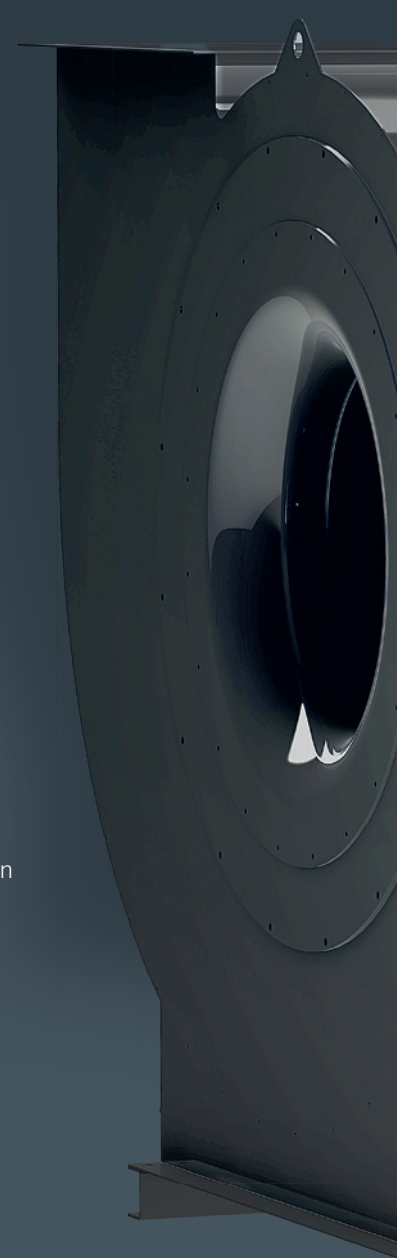
### Accessories:

Accessories for various installation situations, starting at page 122. Further accessories (I.e. Suction boxes, Vane Control etc.) on request.

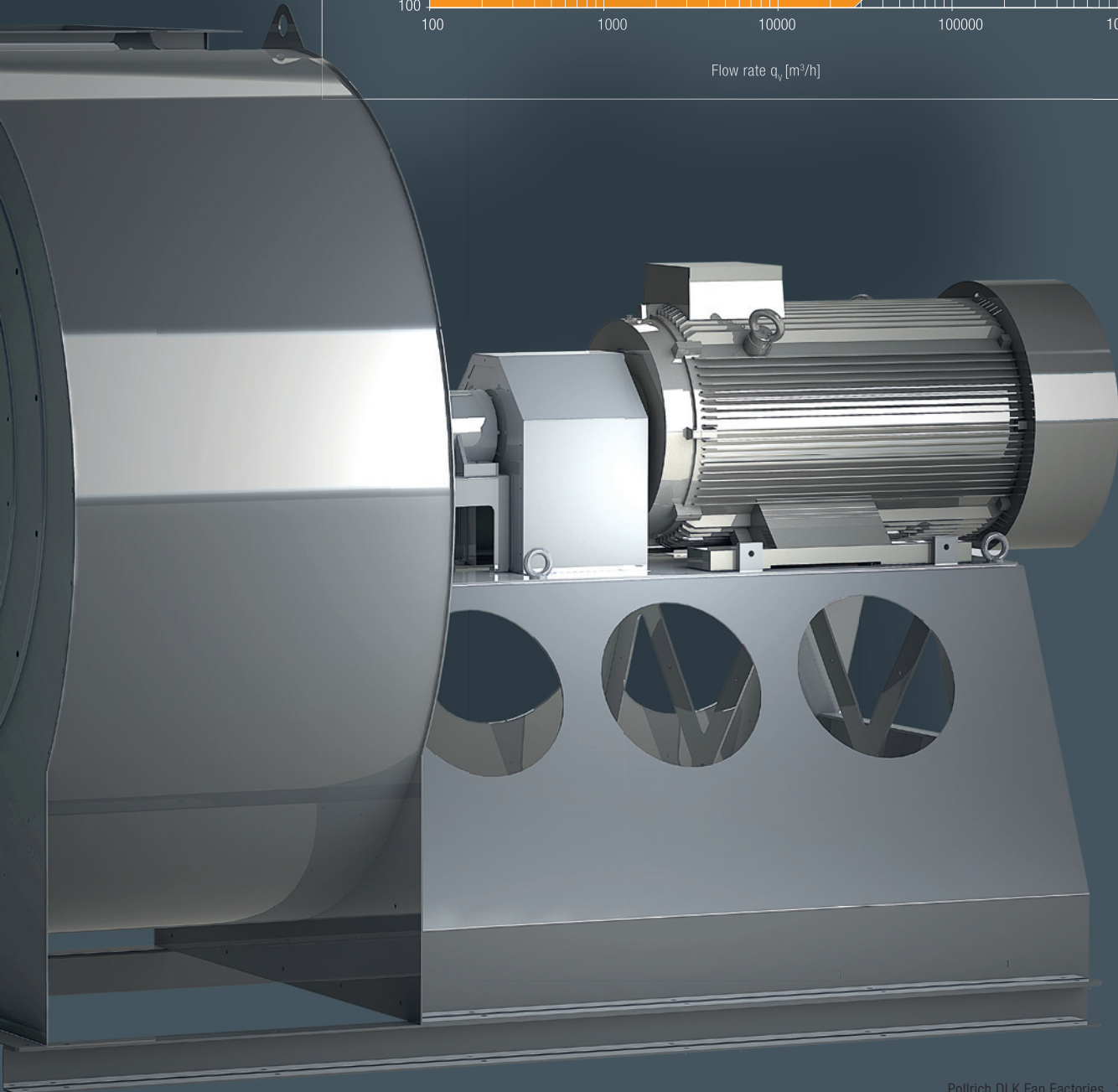
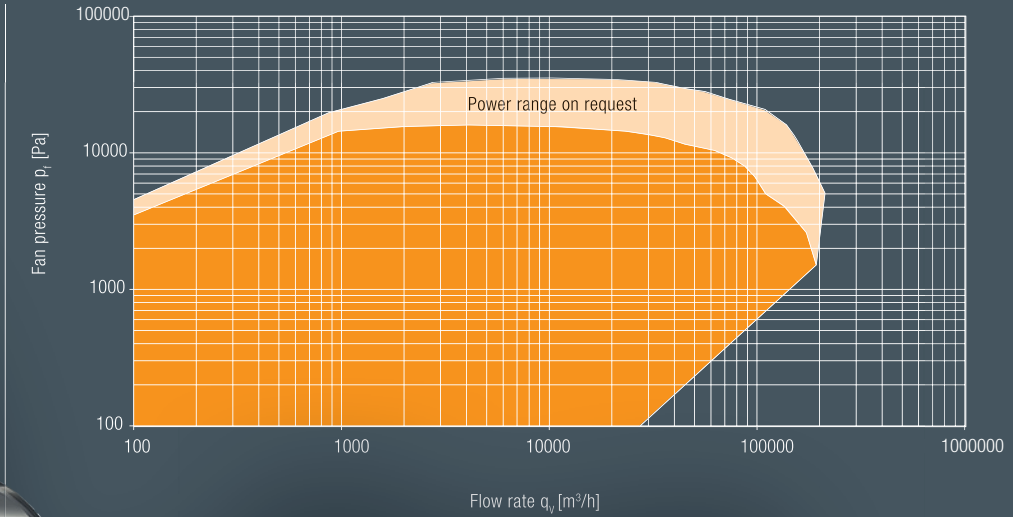
### Tender Specifications:

Please refer to the Download section of our website  
<http://www.pollrichdlk.com>

Subject to change.

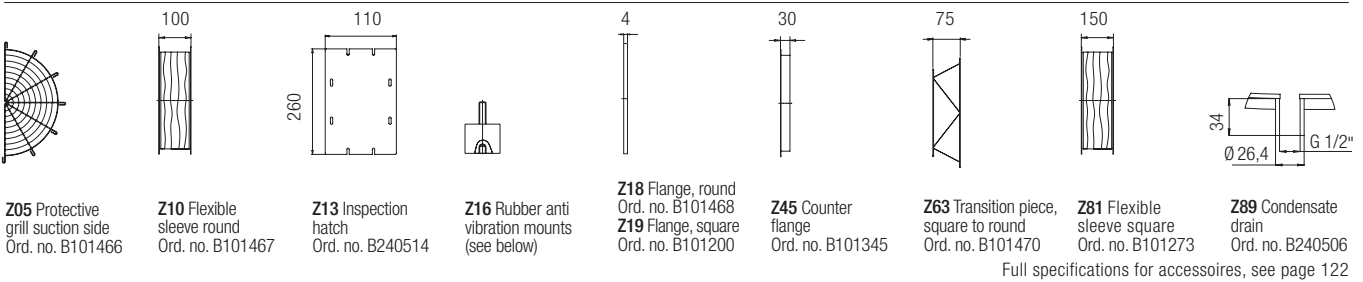
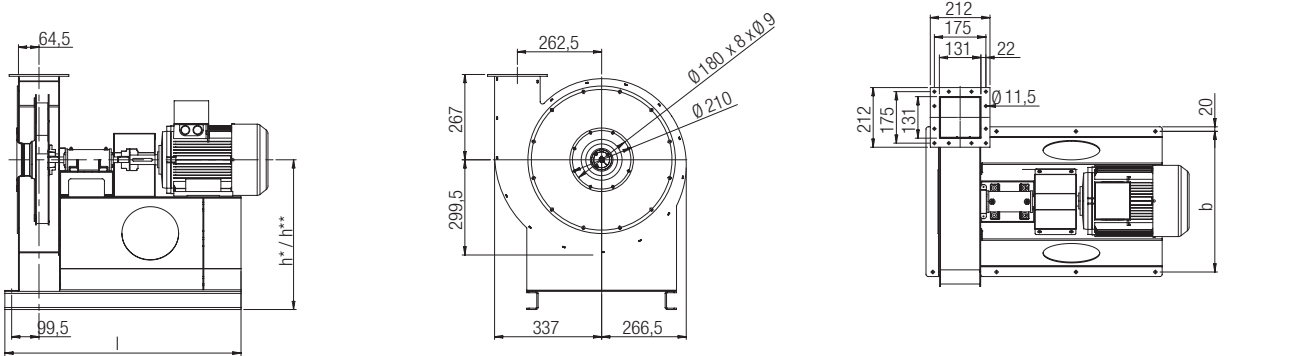
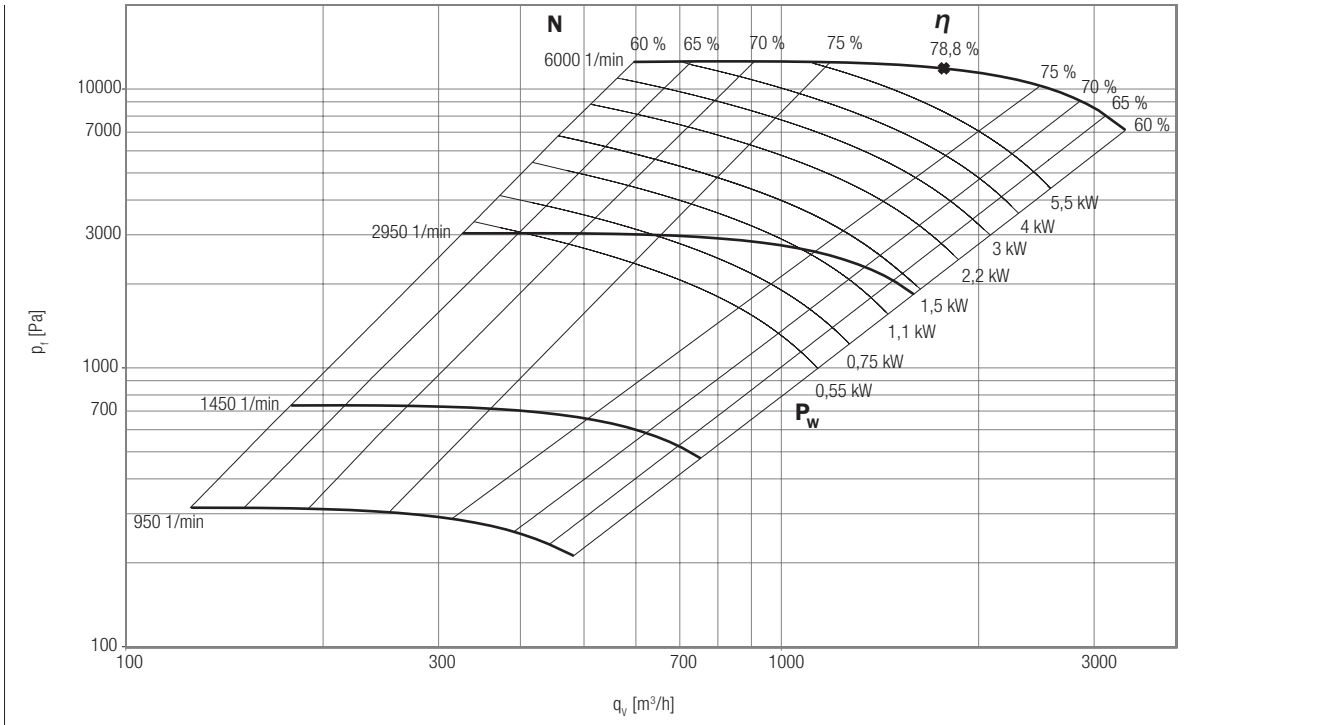


**Megatec** by Pollrich DLK



# HREK01-28-0400 Centrifugal fan

Megatec by Pollrich DLK



## HREK01-28-0400-B

Order no. Fan	Motor power output [kW]	Speed [1/min]	Voltage [V] Connection	Nominal current [A]	Starting current [A]	Weight ca. [kg]	Order no. Z16	$h^* / h^{**}$ [mm]	b [mm]	l [mm]
B110000	1.5	2890	230/400 $\Delta/Y$	3.2	22.4	130	B149380	500/540	460	987
B110001	2.2	2890	230/400 $\Delta/Y$	4.5	30.9	135	B149380	500/540	460	987
B110002	3	2891	230/400 $\Delta/Y$	5.9	46.9	142	B149380	500/540	460	997
B110003	4	2914	400/690 $\Delta/Y$	7.6	57.3	145	B149380	500/540	460	1080
B110004	5.5	2937	400/690 $\Delta/Y$	10.6	79.5	162	B149380	500/540	460	1100
B110005	0.55	1390	230/400 $\Delta/Y$	1.5	60.9	125	B149380	500/540	460	977
B110006	0.75	1400	230/400 $\Delta/Y$	1.8	8.9	127	B149380	500/540	460	977
B110007	1.1	1440	230/400 $\Delta/Y$	2.5	15.2	131	B149380	500/540	460	987
B110008	1.5	1445	230/400 $\Delta/Y$	3.4	23.1	134	B149380	500/540	460	987

All indicated values for 400V/50Hz/3~.

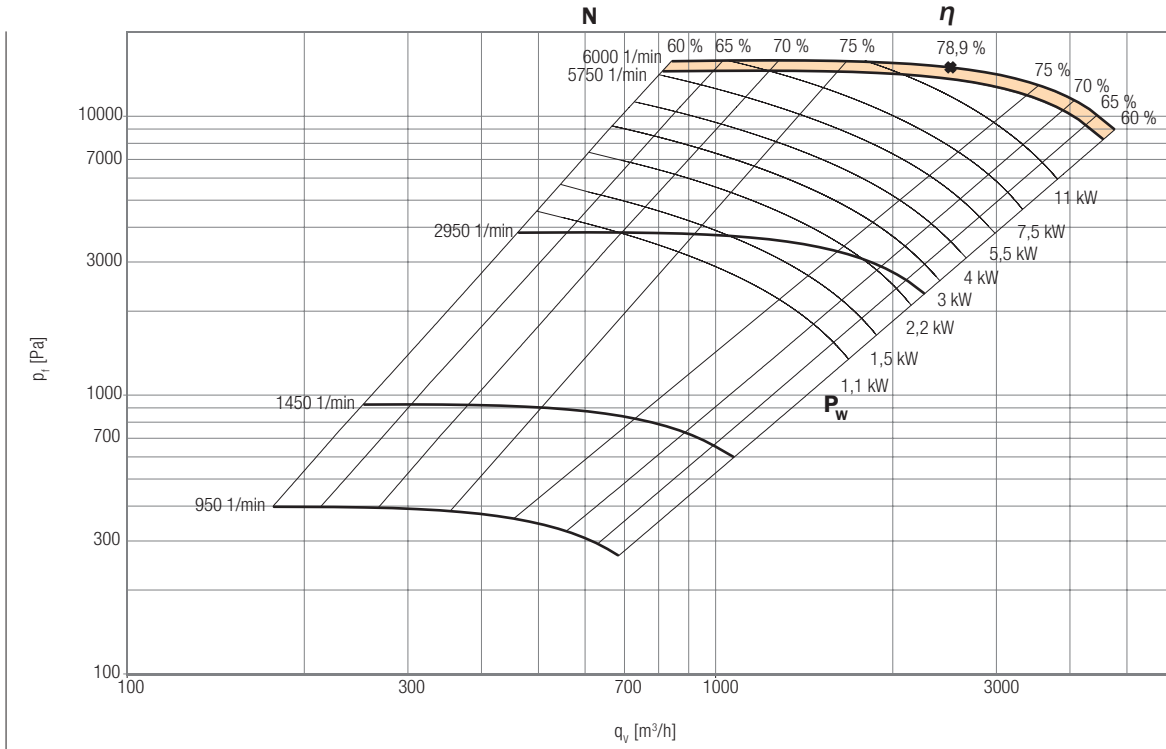
$h^*$ : Casing position: 0°, 90°

$h^{**}$ : Casing position: 270°

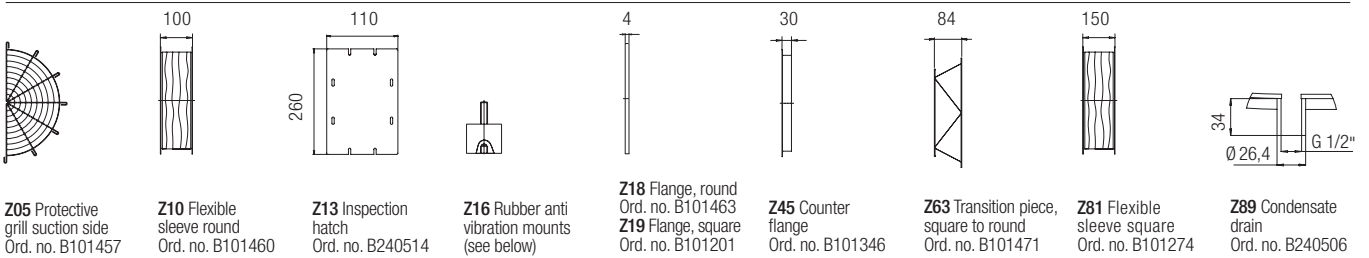
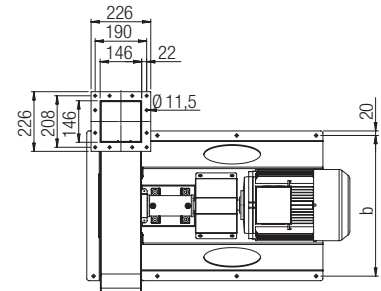
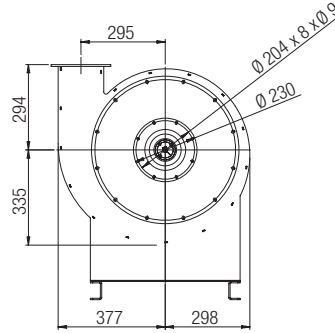
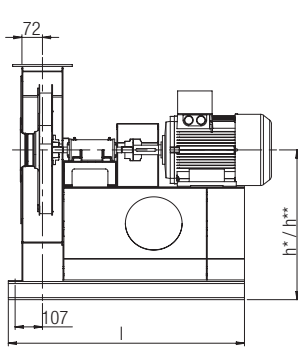


# HREK01-28-0450 Centrifugal fan

Megatec by Poltrich DLK



Power range on request



Full specifications for accessoires, see page 122

## HREK01-28-0450-B

Order no. Fan	Motor power output [kW]	Speed [1/min]	Voltage [V] Connection	Nominal current [A]	Starting current [A]	Weight ca. [kg]	Order no. Z16	h* / h** [mm]	b [mm]	l [mm]
B110009	3	2891	230/400 Δ/Y	5.9	46.9	155	B149380	540/580	510	1112
B110010	4	2914	400/690 Δ/Y	7.6	57.3	158	B149380	540/580	510	1112
B110011	5.5	2937	400/690 Δ/Y	10.6	79.5	175	B149380	540/580	510	1259
B110012	7.5	2940	400/690 Δ/Y	13.9	104.3	180	B149380	540/580	510	1259
B110013	11	2930	400/690 Δ/Y	19.9	150.9	223	B128059	540/580	510	1289
B110014	1.1	1440	230/400 Δ/Y	2.5	15.2	144	B149380	540/580	510	1102
B110015	1.5	1445	230/400 Δ/Y	3.4	23.1	147	B149380	540/580	510	1102
B110016	2.2	1440	230/400 Δ/Y	4.6	32.5	157	B149380	540/580	510	1112
B110017	3	1440	230/400 Δ/Y	6.2	43.3	163	B149380	540/580	510	1112

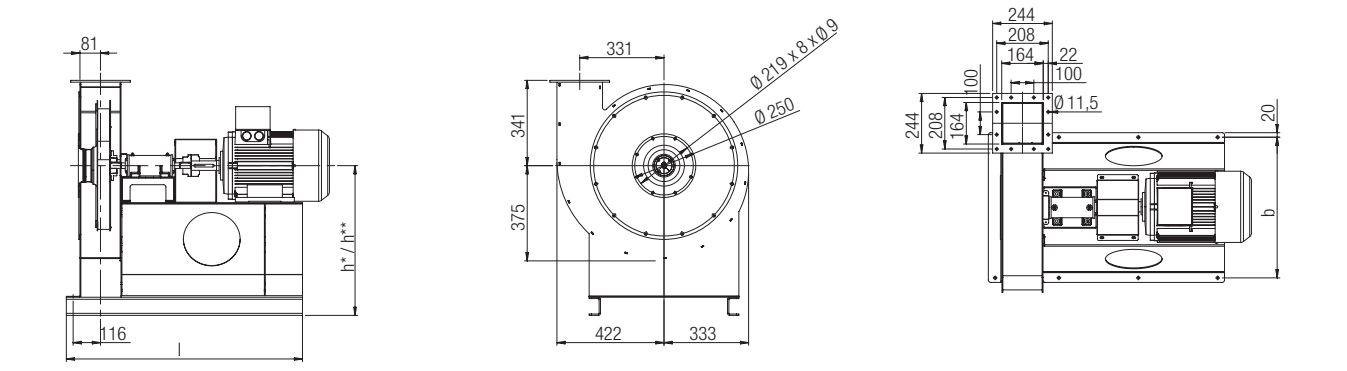
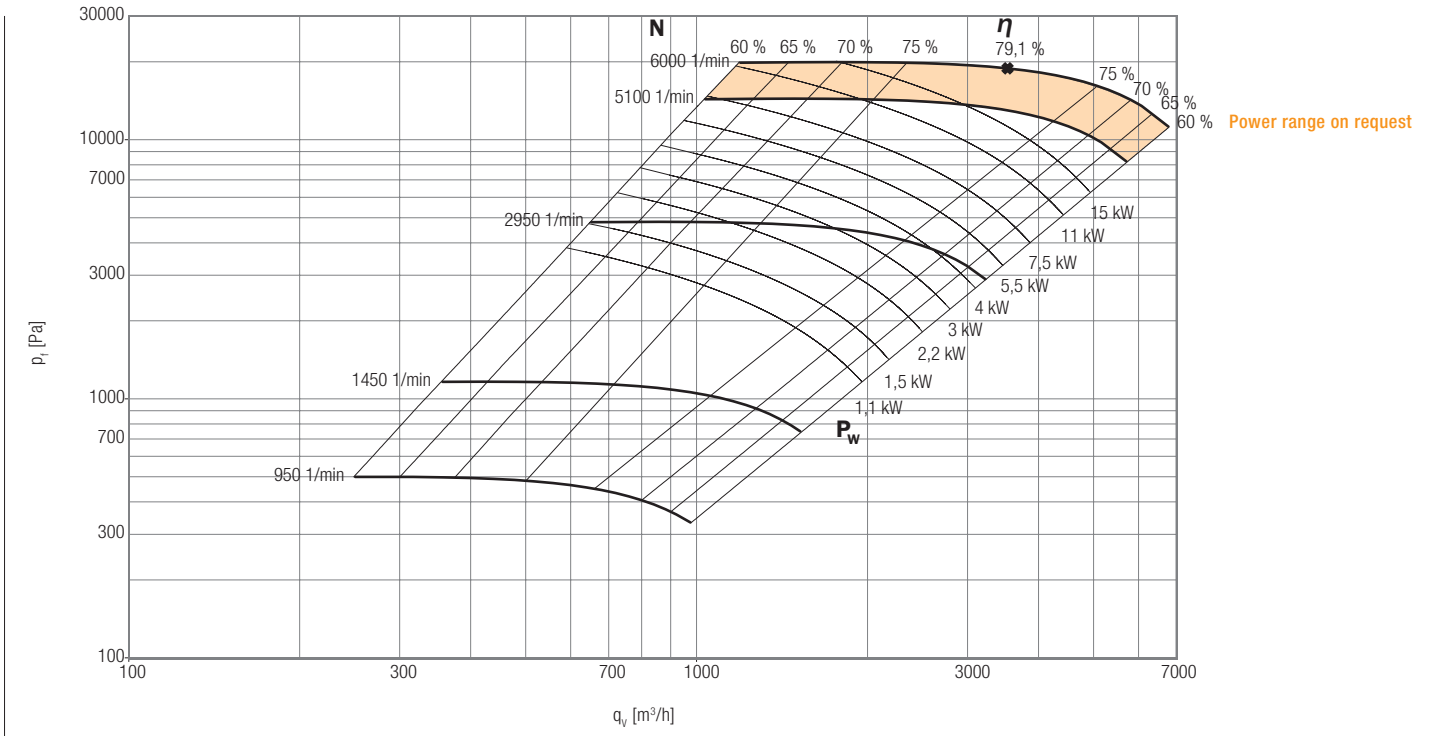
All indicated values for 400V/50Hz/3~.

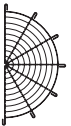
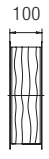
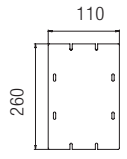



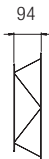


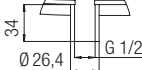
h\*: Casing position: 0°, 90°

h\*\*: Casing position: 270°

# HREK01-28-0500 Centrifugal fan

Megatec by Pollrich DLK



-   
**Z05** Protective grill suction side  
 Ord. no. B101458
  -   
**Z10** Flexible sleeve round  
 Ord. no. B101461
  -   
**Z13** Inspection hatch  
 Ord. no. B240514
  -   
**Z16** Rubber anti vibration mounts (see below)
  -   
**Z18** Flange, round  
 Ord. no. B101464
  -   
**Z19** Flange, square  
 Ord. no. B101202
  -   
**Z45** Counter flange  
 Ord. no. B101347
  -   
**Z63** Transition piece, square to round  
 Ord. no. B101472
  -   
**Z81** Flexible sleeve square  
 Ord. no. B101275
  -   
**Z89** Condensate drain  
 Ord. no. B240506
- Full specifications for accessoires, see page 122

## HREK01-28-0500-B

Order no. Fan	Motor power output [kW]	Speed [1/min]	Voltage [V] Connection	Nominal current [A]	Starting current [A]	Weight ca. [kg]	Order no. Z16	$h^*/h^{**}$ [mm]	b [mm]	l [mm]
B110018	5.5	2937	400/690 $\Delta/Y$	10.6	79.5	190	B149380	580/625	560	1320
B110019	7.5	2940	400/690 $\Delta/Y$	13.9	104.3	195	B149380	580/625	560	1320
B110020	11	2930	400/690 $\Delta/Y$	19.9	151.2	238	B128059	580/625	560	1350
B110021	15	2930	400/690 $\Delta/Y$	26.6	204.4	264	B128059	580/625	560	1350
B110022	1.1	1440	230/400 $\Delta/Y$	2.5	15.2	159	B149380	580/625	560	1070
B110023	1.5	1445	230/400 $\Delta/Y$	3.4	23.1	162	B149380	580/625	560	470
B110024	2.2	1440	230/400 $\Delta/Y$	4.6	32.5	172	B149380	580/625	560	1080
B110025	3	1440	230/400 $\Delta/Y$	6.2	43.3	178	B149380	580/625	560	1080
B110026	4	1445	400/690 $\Delta/Y$	8.1	60.9	183	B149380	580/625	560	1080
B110027	5.5	1455	400/690 $\Delta/Y$	10.9	69.8	195	B149380	580/625	560	1320

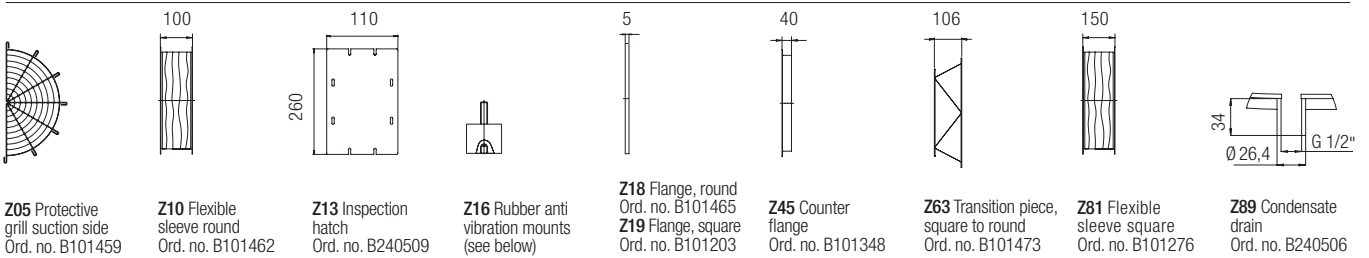
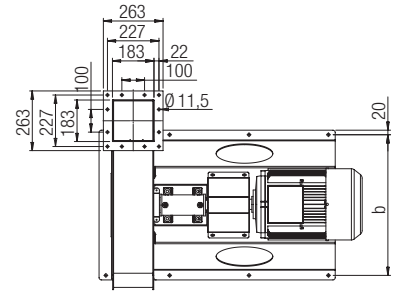
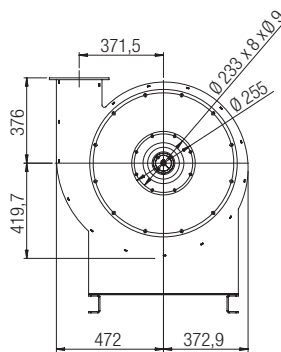
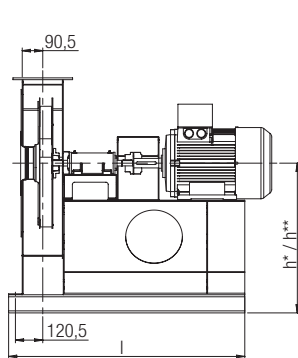
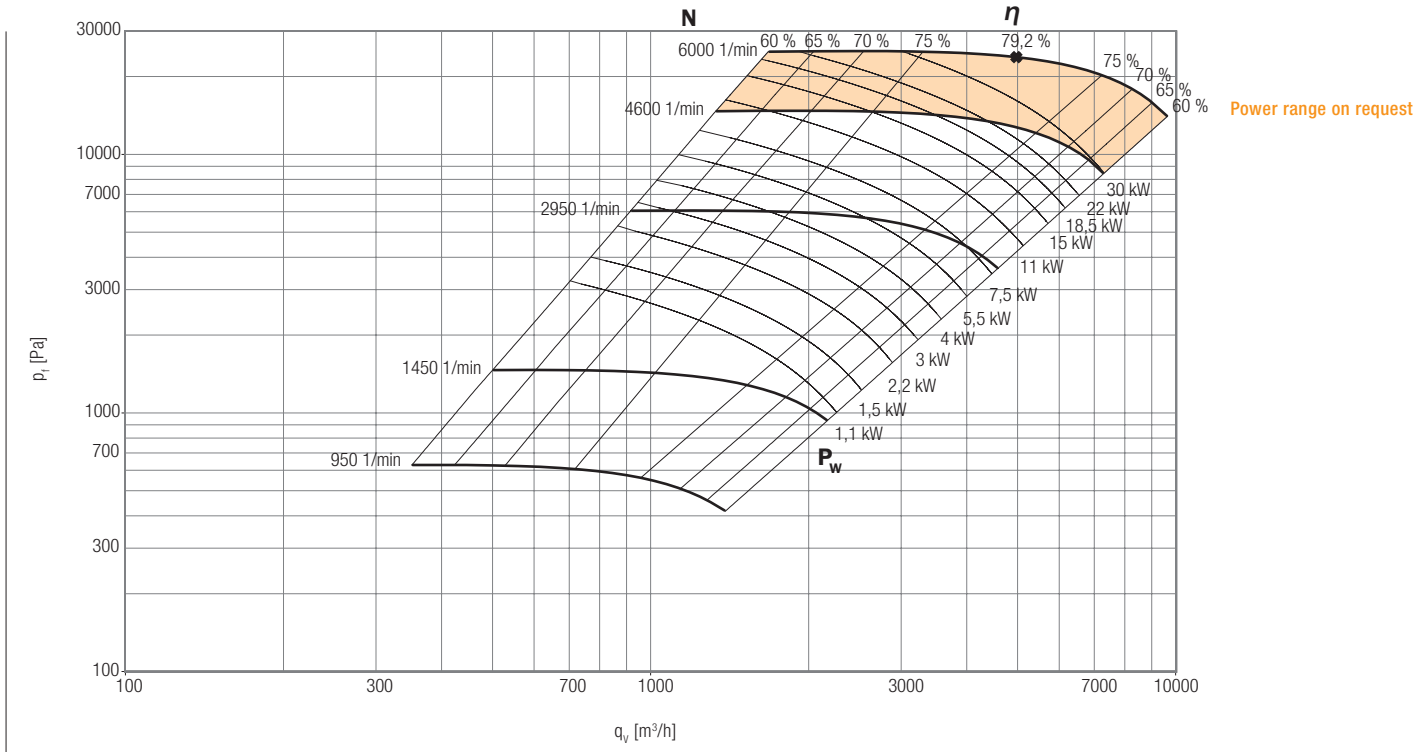
All indicated values for 400V/50Hz/3~.

$h^*$ : Casing position: 0°, 90°

$h^{**}$ : Casing position: 270°

# HREK01-28-0560 Centrifugal fan

Megatec by Poltrich DLK



**HREK01-28-0560-B**

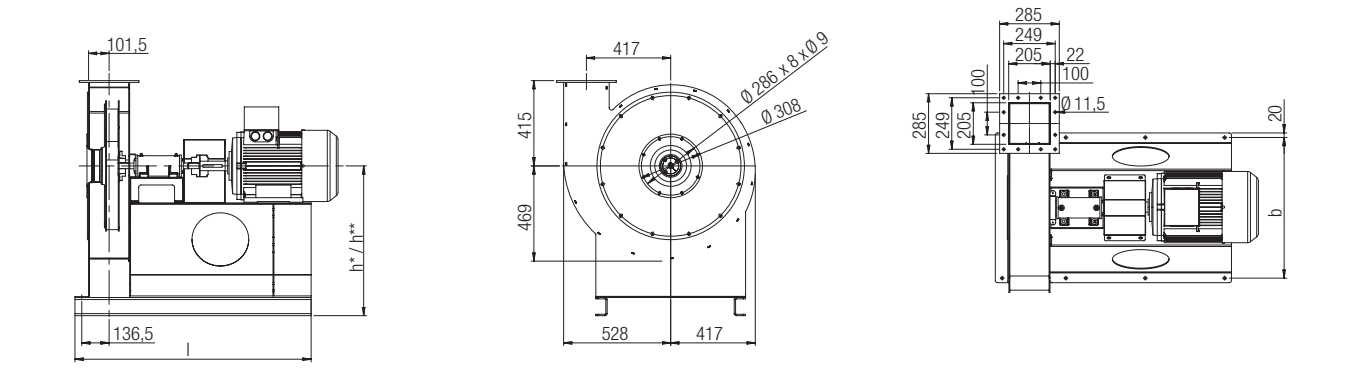
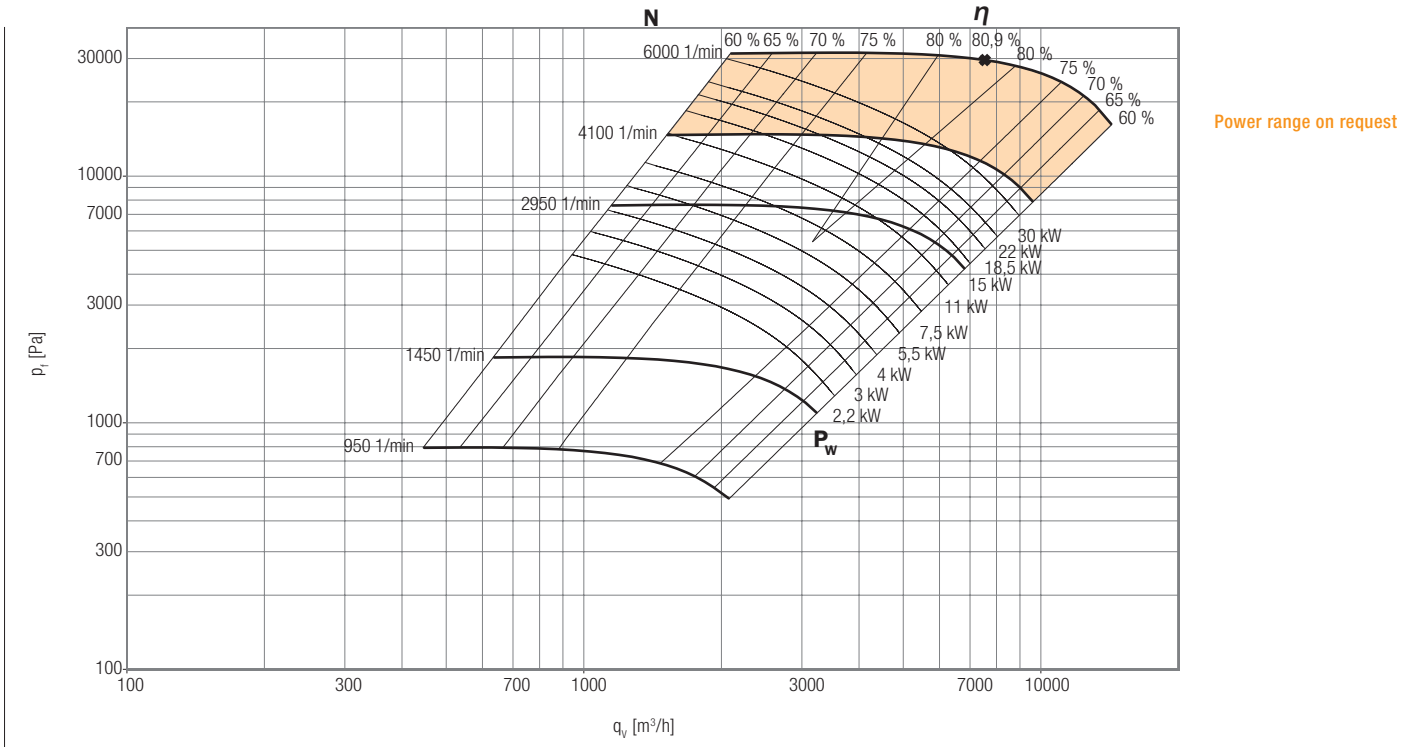
Order no. Fan	Motor power output [kW]	Speed [1/min]	Voltage [V] Connection	Nominal current [A]	Starting current [A]	Weight ca. [kg]	Order no. Z16	h* / h** [mm]	b [mm]	l [mm]
B110028	7.5	2940	400/690 Δ/Y	13.9	104.3	215	B128059	620/680	620	1169
B110029	11	2930	400/690 Δ/Y	19.9	150.9	258	B128059	620/680	620	1369
B110030	15	2930	400/690 Δ/Y	26.6	204.4	284	B128059	620/680	620	1369
B110031	18.5	2937	400/690 Δ/Y	33.0	244.2	314	B149928	620/680	620	1369
B110032	22	2940	400/690 Δ/Y	38.1	308.1	350	B149928	620/680	620	1369
B110033	30	2950	400/690 Δ/Y	53.4	416.5	407	B149928	620/680	620	1369
B110034	1.1	1440	230/400 Δ/Y	2.5	15.2	179	B149380	620/680	620	1139
B110035	1.5	1445	230/400 Δ/Y	3.4	23.1	182	B149380	620/680	620	1139
B110036	2.2	1440	230/400 Δ/Y	4.6	32.5	192	B149380	620/680	620	1149
B110037	3	1440	230/400 Δ/Y	6.2	43.3	198	B149380	620/680	620	1149
B110038	4	1445	400/690 Δ/Y	8.1	60.9	203	B149380	620/680	620	1149
B110039	5.5	1455	400/690 Δ/Y	10.9	69.8	215	B128059	620/680	620	1169
B110040	7.5	1455	400/690 Δ/Y	14.5	101.5	226	B128059	620/680	620	1169

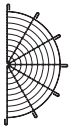

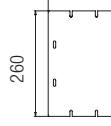



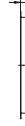



All indicated values for 400V/50Hz/3~.

h\*: Casing position: 0°, 90° h\*\*: Casing position: 270°

# HREK01-28-0630 Centrifugal fan

Megatec by Pollrich DLK



-   
**Z05** Protective grill suction side  
 Ord. no. B151080
  -   
**Z10** Flexible sleeve round  
 Ord. no. B140894
  -   
**Z13** Inspection hatch  
 Ord. no. B240509
  -   
**Z16** Rubber anti vibration mounts  
 (see below)
  -   
**Z18** Flange, round  
 Ord. no. B101441
  -   
**Z19** Flange, square  
 Ord. no. B101204
  -   
**Z45** Counter flange  
 Ord. no. B101349
  -   
**Z63** Transition piece, square to round  
 Ord. no. B101474
  -   
**Z81** Flexible sleeve square  
 Ord. no. B101277
  -   
**Z89** Condensate drain  
 Ord. no. B240506
- Full specifications for accessories, see page 122

## HREK01-28-0630-B

Order no. Fan	Motor power output [kW]	Speed [1/min]	Voltage [V] Connection	Nominal current [A]	Starting current [A]	Weight ca. [kg]	Order no. Z16	h* / h** [mm]	b [mm]	l [mm]
B110042	15	2930	400/690 Δ/Y	26.6	204.4	319	B149928	670/730	690	1434
B110043	18.5	2937	400/690 Δ/Y	33.0	244.2	349	B149928	670/730	690	1434
B110044	22	2940	400/690 Δ/Y	38.1	308.1	385	B149928	670/730	690	1434
B110045	30	2950	400/690 Δ/Y	53.4	416.5	442	B149928	670/730	690	1434
B110046	2.2	1440	230/400 Δ/Y	4.6	32.5	220	B128059	670/730	690	1286
B110047	3	1440	230/400 Δ/Y	6.2	43.3	226	B128059	670/730	690	1286
B110048	4	1445	400/690 Δ/Y	8.1	60.9	231	B128059	670/730	690	1286
B110049	5.5	1455	400/690 Δ/Y	10.9	69.8	243	B128059	670/730	690	1306
B110050	7.5	1455	400/690 Δ/Y	14.5	101.5	256	B128059	670/730	690	1316
B110051	11	1460	400/690 Δ/Y	22.1	152.5	330	B149928	670/730	690	1379
B110052	15	1460	400/690 Δ/Y	29.6	222.0	307	B149928	670/730	690	1379

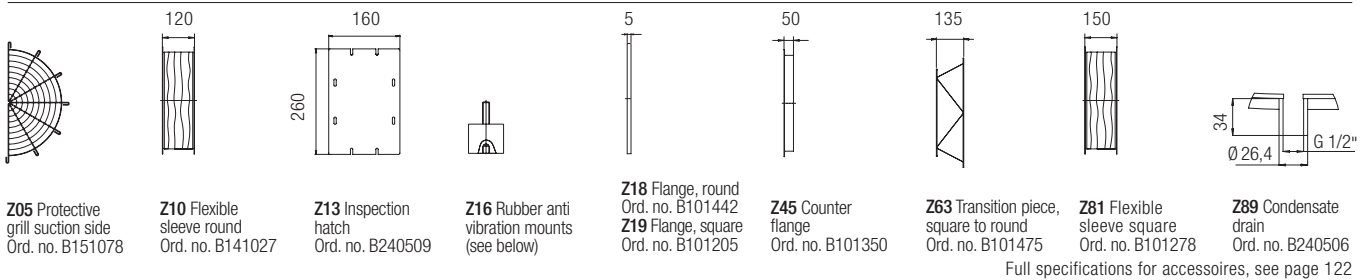
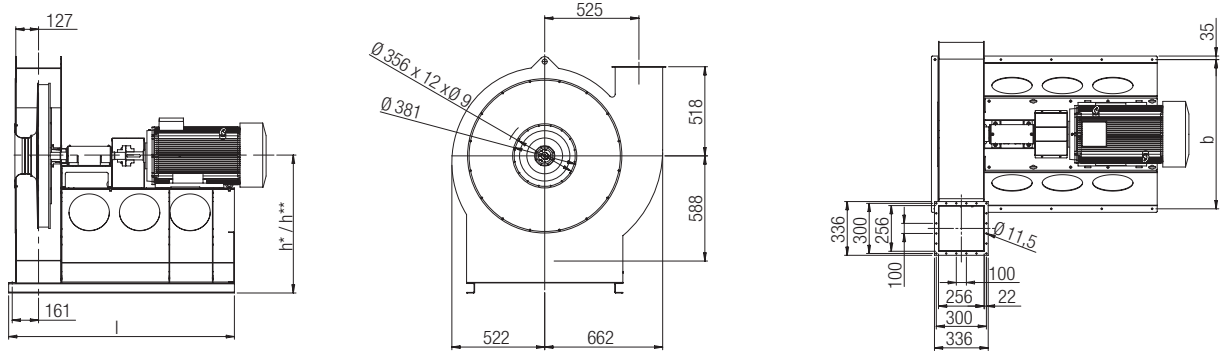
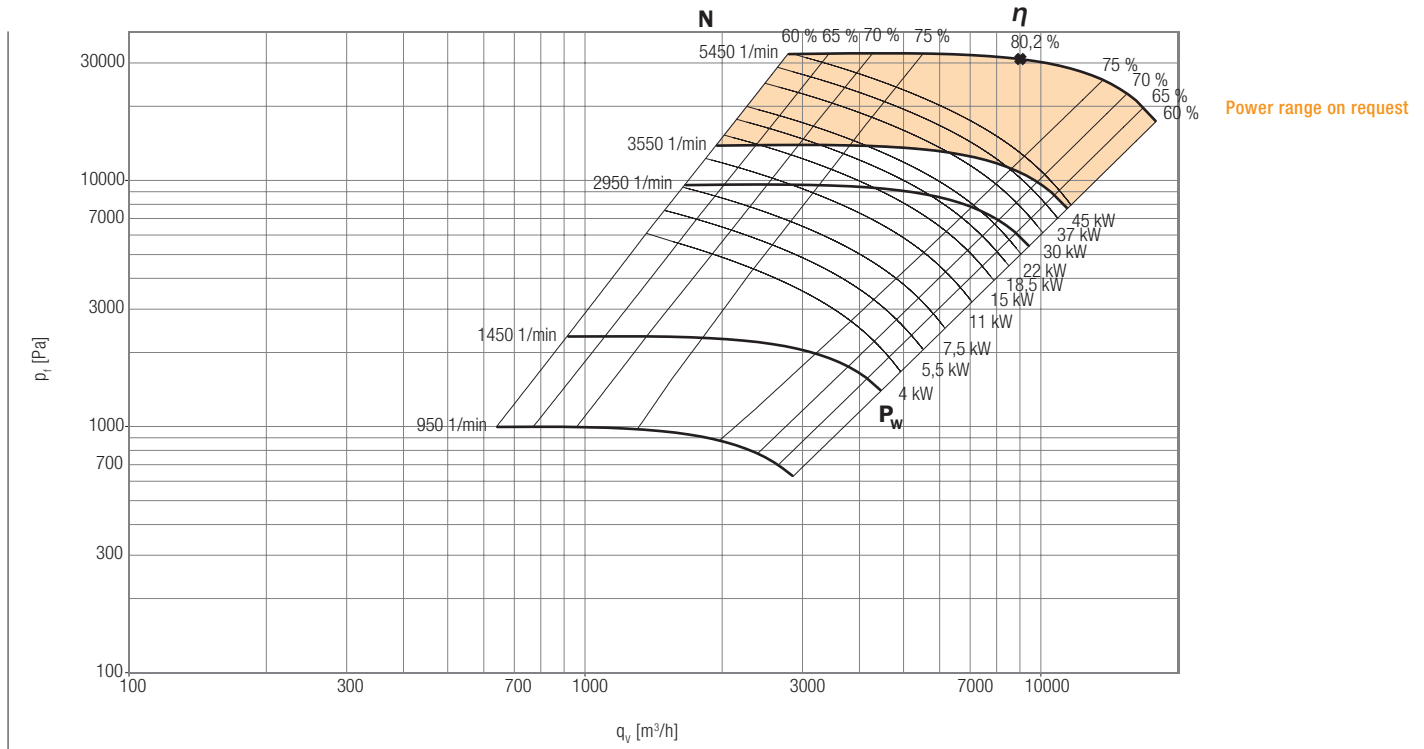
All indicated values for 400V/50Hz/3~.

h\*: Casing position: 0°, 90°

h\*\*: Casing position: 270°

# HREK01-28-0710 Centrifugal fan

Megatec by Poltrich DLK



## HREK01-28-0710-B

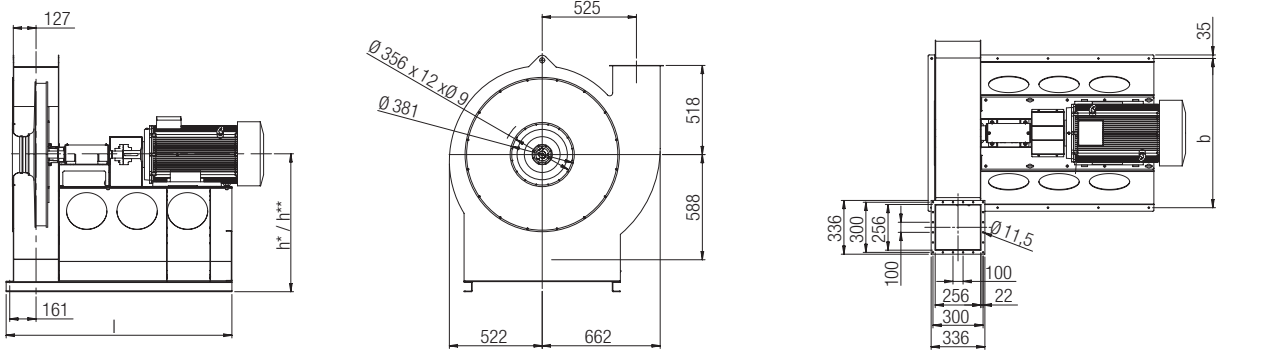
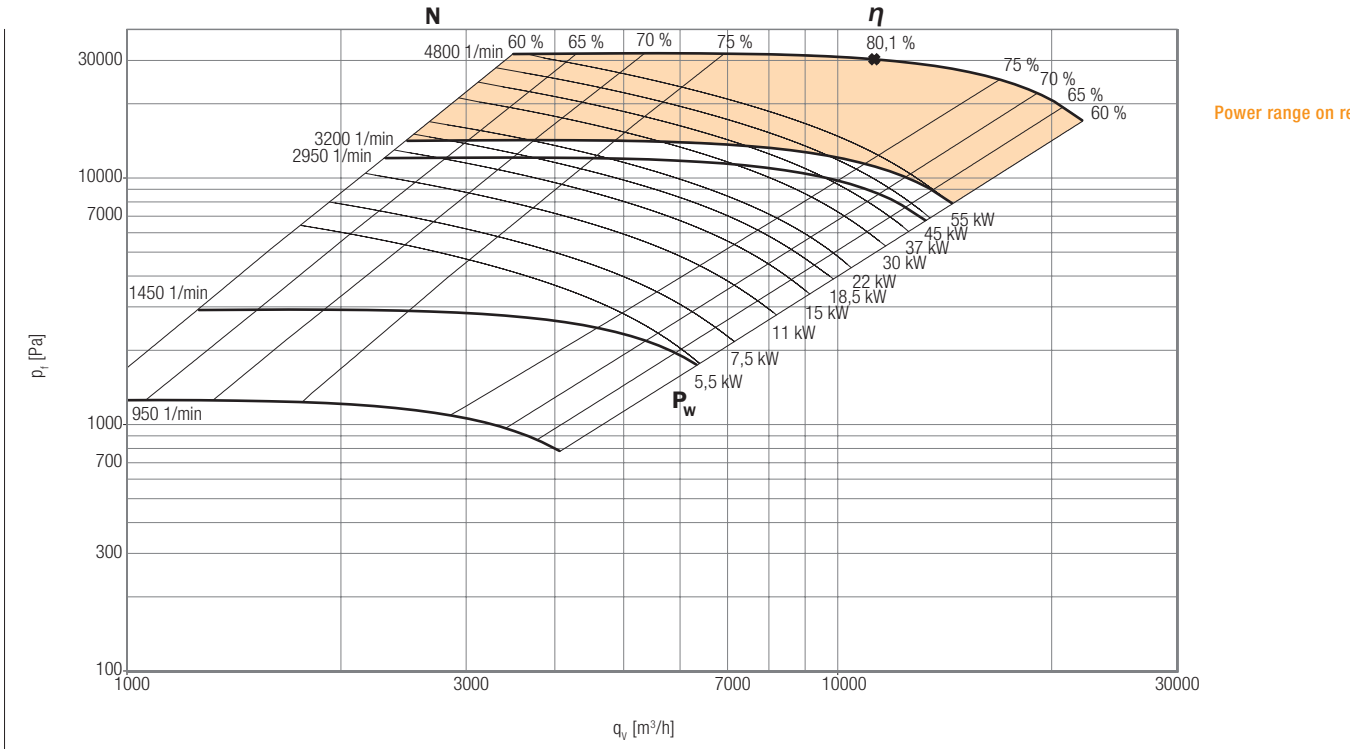
Order no. Fan	Motor power output [kW]	Speed [1/min]	Voltage [V] Connection	Nominal current [A]	Starting current [A]	Weight ca. [kg]	Order no. Z16	h* / h** [mm]	b [mm]	l [mm]
B110053	30	2950	400/690 Δ/Y	53.4	244.2	480	B149937	725/790	770	1565
B110054	37	2950	400/690 Δ/Y	63.5	297.2	481	B149937	725/790	770	1565
B110055	45	2960	400/690 Δ/Y	76.9	416.5	565	B149937	725/790	770	1595
B110056	4	1445	400/690 Δ/Y	8.1	32.5	275	B128059	725/790	770	1375
B110057	5.5	1455	400/690 Δ/Y	10.9	43.3	287	B128059	725/790	770	1395
B110058	7.5	1455	400/690 Δ/Y	14.5	60.9	298	B128059	725/790	770	1395
B110059	11	1460	400/690 Δ/Y	22.1	69.8	372	B149928	725/790	770	1425
B110060	15	1460	400/690 Δ/Y	29.6	101.5	349	B149928	725/790	770	1425
B110061	18.5	1470	400/690 Δ/Y	32.7	152.5	405	B149928	725/790	770	1570
B110062	22	1470	400/690 Δ/Y	38.4	222.0	422	B149928	725/790	770	1570

All indicated values for 400V/50Hz/3~.

h\*: Casing position: 0°, 90° h\*\*: Casing position: 270°

# HREK01-28-0800 Centrifugal fan

Megatec by Pollrich DLK



- Z05** Protective grill suction side  
Ord. no. B151076
  - Z10** Flexible sleeve round  
Ord. no. B141028
  - Z13** Inspection hatch  
Ord. no. B240509
  - Z16** Rubber anti vibration mounts (see below)
  - Z18** Flange, round  
Ord. no. B101443
  - Z19** Flange, square  
Ord. no. B101206
  - Z45** Counter flange  
Ord. no. B101351
  - Z63** Transition piece, square to round  
Ord. no. B101476
  - Z81** Flexible sleeve square  
Ord. no. B101279
  - Z89** Condensate drain  
Ord. no. B240506
- Full specifications for accessoires, see page 122

## HREK01-28-0800-B

Order no. Fan	Motor power output [kW]	Speed [1/min]	Voltage [V] Connection	Nominal current [A]	Starting current [A]	Weight ca. [kg]	Order no. Z16	h* / h** [mm]	b [mm]	l [mm]
B110063	45	2960	400/690 Δ/Y	78.4	588.0	627	B149937	810/885	880	1667
B110064	55	2965	400/690 Δ/Y	94.5	671.0	685	B149937	810/885	880	1725
B110065	5.5	1455	400/690 Δ/Y	10.9	69.8	339	B128059	810/885	880	1060
B110066	7.5	1455	400/690 Δ/Y	14.5	101.5	351	B128059	810/885	880	1072
B110067	11	1460	400/690 Δ/Y	22.1	152.5	425	B149928	810/885	880	1298
B110068	15	1460	400/690 Δ/Y	29.6	222.0	402	B149928	810/885	880	1275
B110069	18.5	1470	400/690 Δ/Y	34.0	265.2	458	B149928	810/885	880	1367
B110070	22	1470	400/690 Δ/Y	40.2	301.5	475	B149928	810/885	880	1384
B110071	30	1470	400/690 Δ/Y	54.4	386.2	561	B149928	810/885	880	1561
B110072	37	1480	400/690 Δ/Y	66.2	496.5	603	B149937	810/885	880	1643
B110073	45	1480	400/690 Δ/Y	80.1	608.8	633	B149937	810/885	880	1673

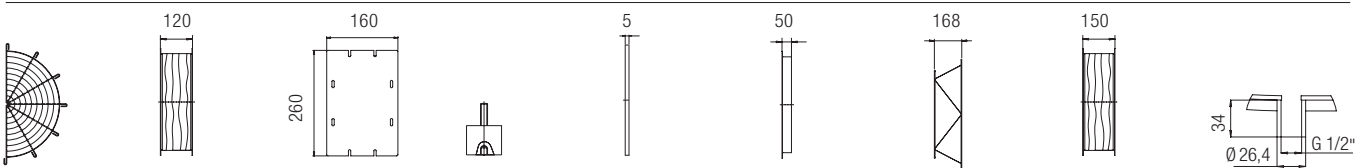
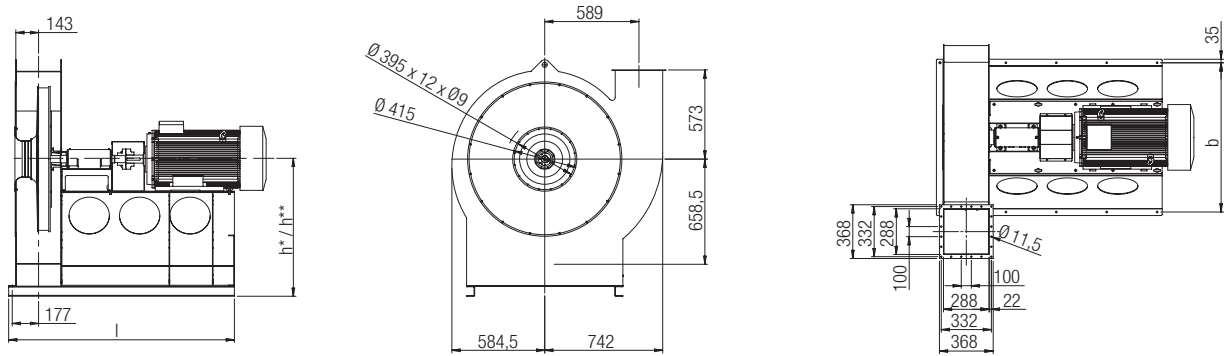
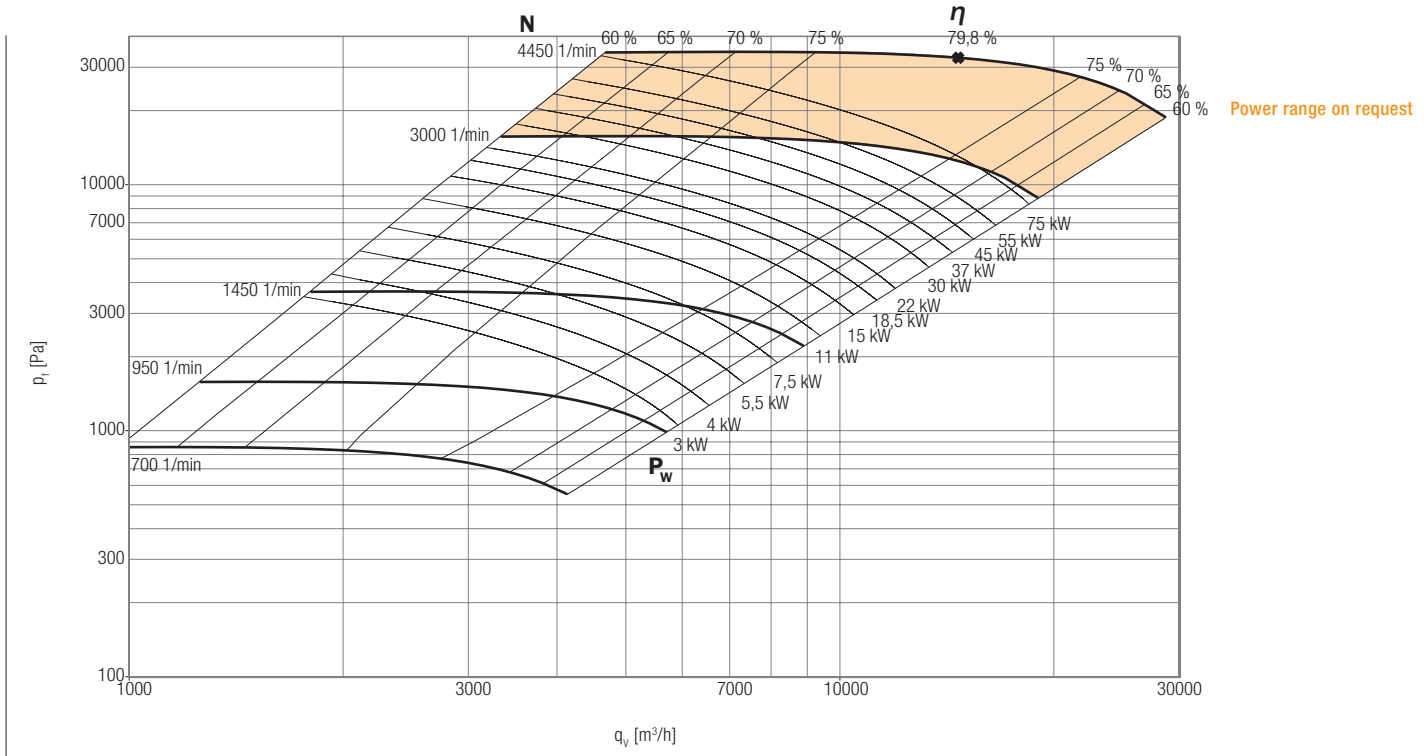
All indicated values for 400V/50Hz/3~.

h\*: Casing position: 0°, 90°

h\*\*: Casing position: 270°

# HREK01-28-0900 Centrifugal fan

Megatec by Poltrich DLK



- Z05** Protective grill suction side  
Ord. no. B151074
- Z10** Flexible sleeve round  
Ord. no. B141029
- Z13** Inspection hatch  
Ord. no. B240509
- Z16** Rubber anti vibration mounts (see below)
- Z18** Flange, round  
Ord. no. B101444
- Z19** Flange, square  
Ord. no. B101207
- Z45** Counter flange  
Ord. no. B101352
- Z63** Transition piece, square to round  
Ord. no. B101477
- Z81** Flexible sleeve square  
Ord. no. B101280
- Z89** Condensate drain  
Ord. no. B240506

**HREK01-28-0900-B**

Full specifications for accessoires, see page 122

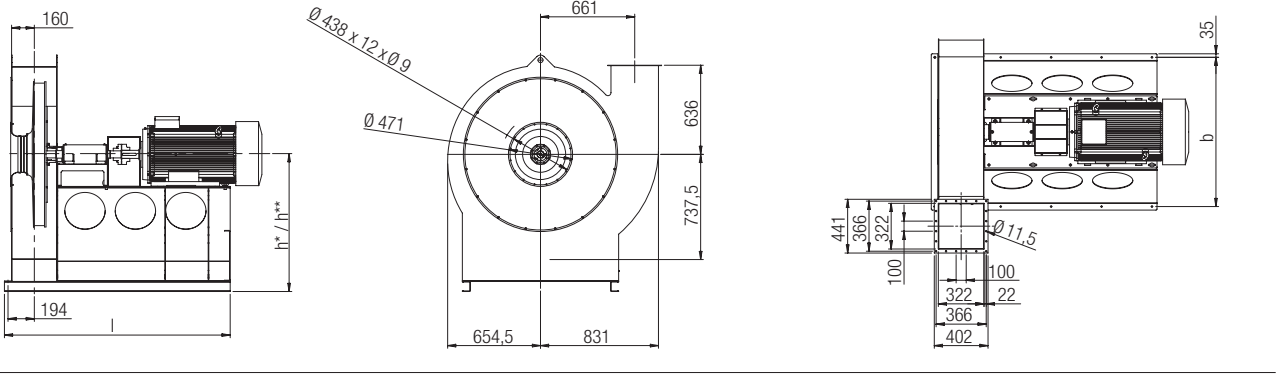
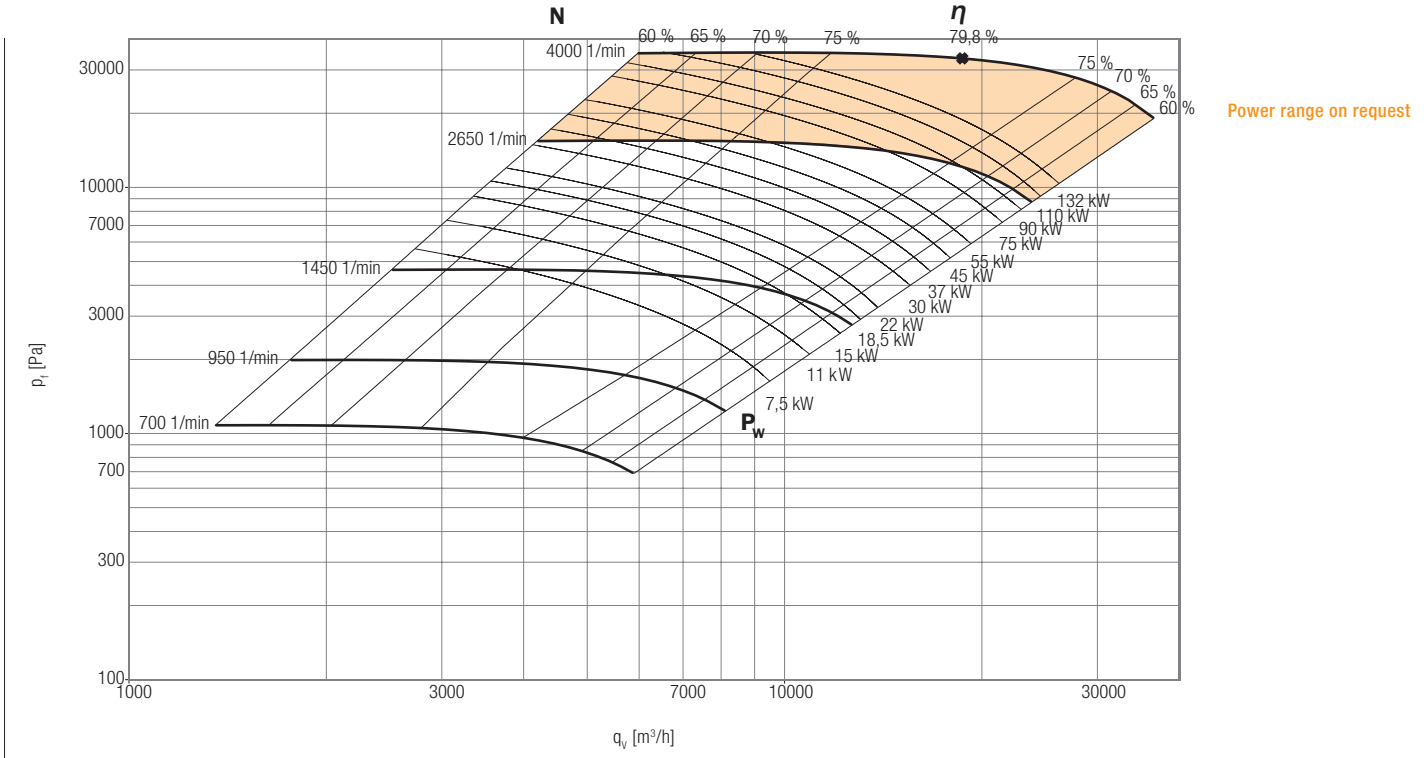
Order no. Fan	Motor power output [kW]	Speed [1/min]	Voltage [V] Connection	Nominal current [A]	Starting current [A]	Weight ca. [kg]	Order no. Z16	h* / h** [mm]	b [mm]	l [mm]
B100076	11	1460	400/690 Δ/Y	21.0	144.9	507	B149928	880/965	980	1511
B100077	15	1460	400/690 Δ/Y	28.1	210.8	484	B149928	880/965	980	1511
B100078	18.5	1470	400/690 Δ/Y	34.0	265.2	540	B149928	880/965	980	1547
B100079	22	1470	400/690 Δ/Y	40.2	301.5	557	B149928	880/965	980	1547
B100080	30	1470	400/690 Δ/Y	54.4	386.2	643	B149937	880/965	980	1638
B100081	37	1480	400/690 Δ/Y	66.2	496.5	685	B149937	880/965	980	1705
B100082	45	1480	400/690 Δ/Y	80.1	608.8	715	B149937	880/965	980	1705
B100083	55	1480	400/690 Δ/Y	97.5	711.8	771	B149937	880/965	980	1705
B100084	75	1480	400/690 Δ/Y	132.0	1003.2	903	B149937	880/965	980	1577
B100085	3	964	230/400 Δ/Y	6.8	30.7	413	B149928	880/965	980	1329
B100086	4	965	400/690 Δ/Y	9.0	44.8	422	B149928	880/965	980	1329
B100087	5.5	965	400/690 Δ/Y	12.0	66.0	433	B149928	880/965	980	1329
B100088	7.5	970	400/690 Δ/Y	15.9	103.4	469	B149928	880/965	980	1511

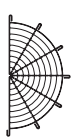

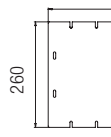





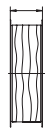

All indicated values for 400V/50Hz/3~.

h\*: Casing position: 0°, 90° h\*\*: Casing position: 270°

# HREK01-28-1000 Centrifugal fan

**Megatec** by Pollrich DLK



-   
**Z05** Protective grill suction side  
 Ord. no. B151061
-   
**Z10** Flexible sleeve round  
 Ord. no. B141030
-   
**Z13** Inspection hatch  
 Ord. no. B240512
-   
**Z16** Rubber anti vibration mounts  
 (see below)
-   
**Z18** Flange, round  
 Ord. no. B101445
-   
**Z19** Flange, square  
 Ord. no. B101208
-   
**Z45** Counter flange  
 Ord. no. B101353
-   
**Z63** Transition piece, square to round  
 Ord. no. B101478
-   
**Z81** Flexible sleeve square  
 Ord. no. B101281
-   
**Z89** Condensate drain  
 Ord. no. B240506

Full specifications for accessoires, see page 122

**HREK01-28-1000-B**

Order no. Fan	Motor power output [kW]	Speed [1/min]	Voltage [V] Connection	Nominal current [A]	Starting current [A]	Weight ca. [kg]	Order no. Z16	h* / h** [mm]	b [mm]	l [mm]
B110088	15	1460	400/690 Δ/Y	28.1	210.8	586	B149928	960/1055	1080	1545
B110089	18.5	1470	400/690 Δ/Y	34.0	265.2	642	B149937	960/1055	1080	1581
B110090	22	1470	400/690 Δ/Y	40.2	301.5	659	B149937	960/1055	1080	1581
B110091	30	1470	400/690 Δ/Y	54.4	386.2	745	B149937	960/1055	1080	1672
B110092	37	1480	400/690 Δ/Y	66.2	496.5	787	B149937	960/1055	1080	1742
B110093	45	1480	400/690 Δ/Y	80.1	608.8	817	B149937	960/1055	1080	1742
B110094	55	1480	400/690 Δ/Y	96.7	711.8	864	B149937	960/1055	1080	1803
B110095	75	1480	400/690 Δ/Y	132.0	1003.2	996	B149948	960/1055	1080	1875
B110096	90	1480	400/690 Δ/Y	158.0	1185.0	1092	B149948	960/1055	1080	1875
B110097	110	1485	400/690 Δ/Y	191.0	1356.1	1435	B149948	960/1055	1080	1965
B110098	7.5	970	400/690 Δ/Y	15.9	103.4	571	B149928	960/1055	1080	1545
B110099	11	970	400/690 Δ/Y	22.9	171.8	621	B149937	960/1055	1080	1545
B110100	15	975	400/690 Δ/Y	29.8	190.7	673	B149937	960/1055	1080	1545

All indicated values for 400V/50Hz/3~.

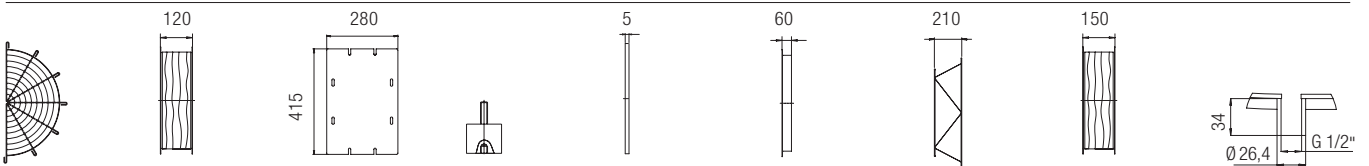
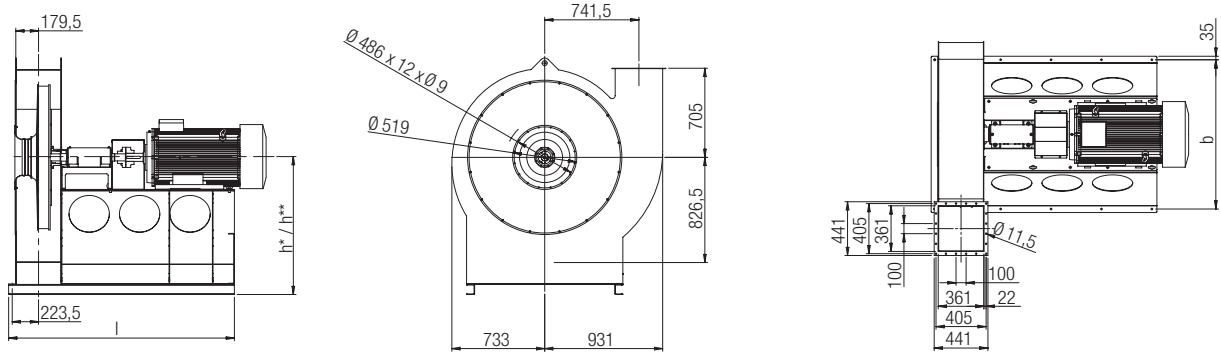
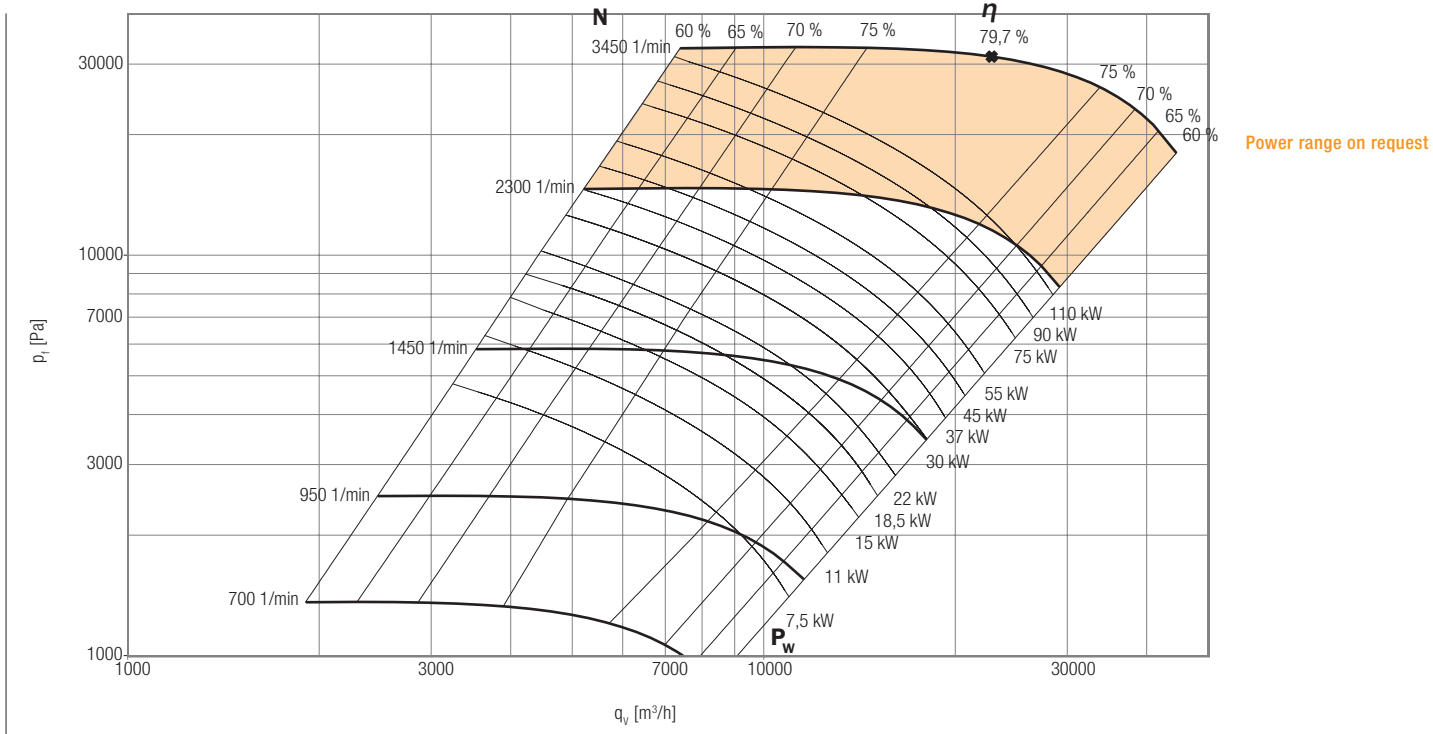
h\*: Casing position: 0°, 90°

h\*\*: Casing position: 270°



# HREK01-28-1120 Centrifugal fan

Megatec by Polrich DLK



**Z05** Protective grill suction side  
Ord. no. B151081

**Z10** Flexible sleeve round  
Ord. no. B141031

**Z13** Inspection hatch  
Ord. no. B240512

**Z16** Rubber anti vibration mounts (see below)

**Z18** Flange, round  
Ord. no. B101446  
**Z19** Flange, square  
Ord. no. B101209

**Z45** Counter flange  
Ord. no. B101354

**Z63** Transition piece, square to round  
Ord. no. B101479

**Z81** Flexible sleeve square  
Ord. no. B101282

**Z89** Condensate drain  
Ord. no. B240506

Full specifications for accessoires, see page 122

## HREK01-28-1120-B

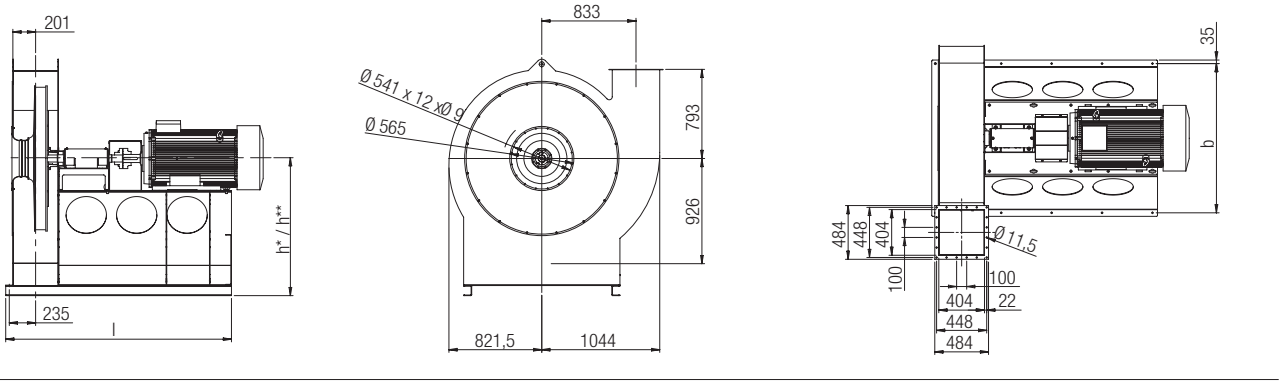
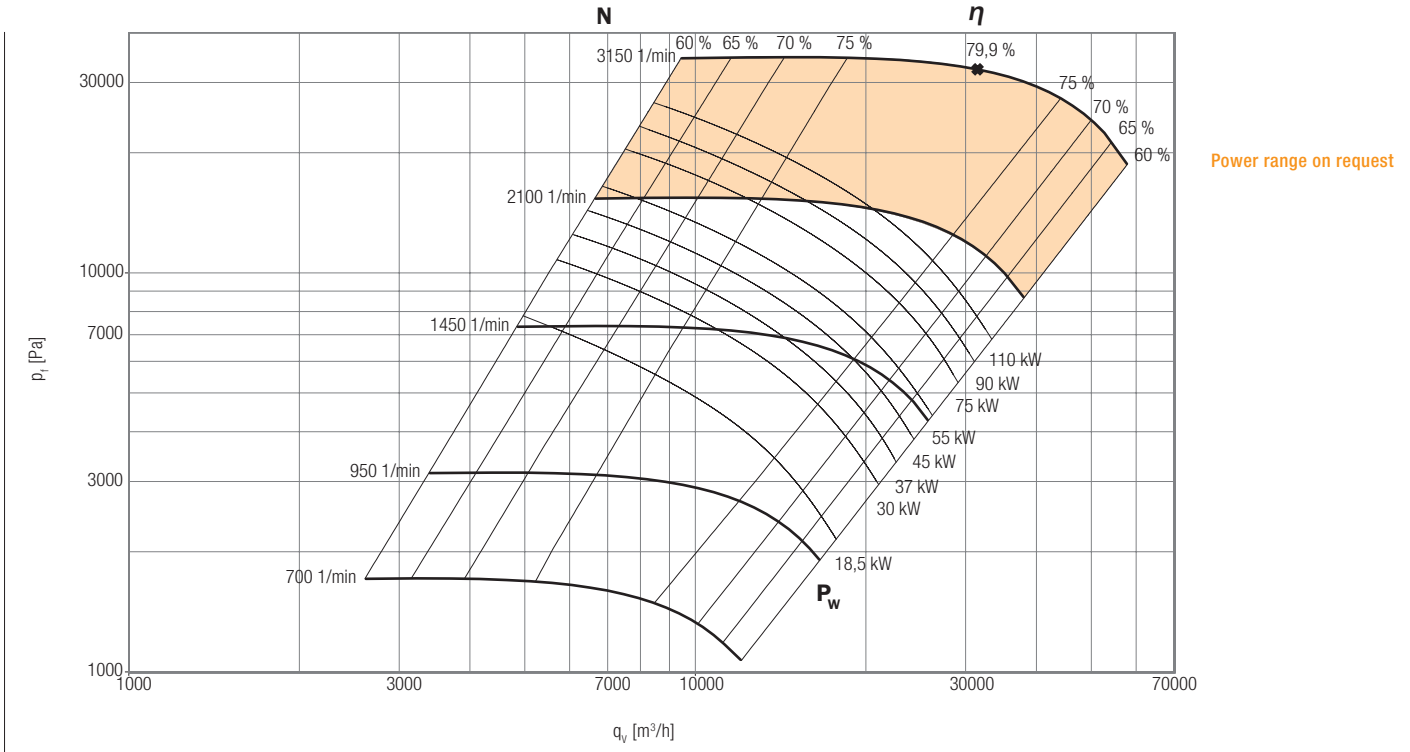
Order no. Fan	Motor power output [kW]	Speed [1/min]	Voltage [V] Connection	Nominal current [A]	Starting current [A]	Weight ca. [kg]	Order no. Z16	h* / h** [mm]	b [mm]	l [mm]
B110105	30	1470	400/690 Δ/Y	54.4	386.2	915	B149937	1050/1155	1200	1863
B110106	37	1480	400/690 Δ/Y	66.2	496.5	957	B149937	1050/1155	1200	1933
B110107	45	1480	400/690 Δ/Y	80.1	608.8	987	B149948	1050/1155	1200	1933
B110108	55	1480	400/690 Δ/Y	97.5	711.8	1034	B149948	1050/1155	1200	1994
B110109	75	1480	400/690 Δ/Y	132.0	1003.2	1166	B149948	1050/1155	1200	2066
B110110	90	1480	400/690 Δ/Y	158.0	1185.0	1262	B149948	1050/1155	1200	2066
B110111	110	1485	400/690 Δ/Y	191.0	1356.1	1605	B149948	1050/1155	1200	2299
B110112	18.5	980	400/690 Δ/Y	36.4	254.8	821	B149937	1050/1155	1200	1753
B110113	22	980	400/690 Δ/Y	42.0	294.0	851	B149937	1050/1155	1200	1753
B110114	30	980	400/690 Δ/Y	56.2	365.3	919	B149937	1050/1155	1200	1823
B110115	7.5	720	400/690 Δ/Y	16.9	101.4	703	B149937	1050/1155	1200	1601
B110116	11	730	400/690 Δ/Y	23.8	142.8	779	B149937	1050/1155	1200	1637
B110117	15	730	400/690 Δ/Y	32.4	213.8	847	B149937	1050/1155	1200	1788

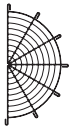

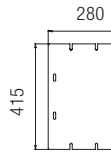





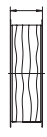

All indicated values for 400V/50Hz/3~.

h\*: Casing position: 0°, 90° h\*\*: Casing position: 270°

# HREK01-28-1250 Centrifugal fan

Megatec by Pollrich DLK



-   
**Z05** Protective grill suction side  
 Ord. no. B151068
  -   
**Z10** Flexible sleeve round  
 Ord. no. B141032
  -   
**Z13** Inspection hatch  
 Ord. no. B240512
  -   
**Z16** Rubber anti vibration mounts (see below)
  -   
**Z18** Flange, round  
 Ord. no. B101447
  -   
**Z19** Flange, square  
 Ord. no. B101210
  -   
**Z45** Counter flange  
 Ord. no. B101355
  -   
**Z63** Transition piece, square to round  
 Ord. no. B101480
  -   
**Z81** Flexible sleeve square  
 Ord. no. B101283
  -   
**Z89** Condensate drain  
 Ord. no. B240506
- Full specifications for accessoires, see page 122

## HREK01-28-1250-B

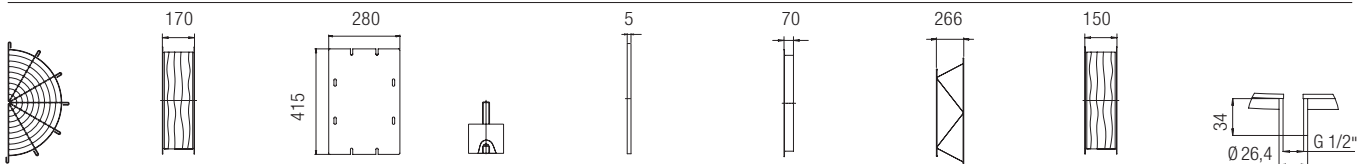
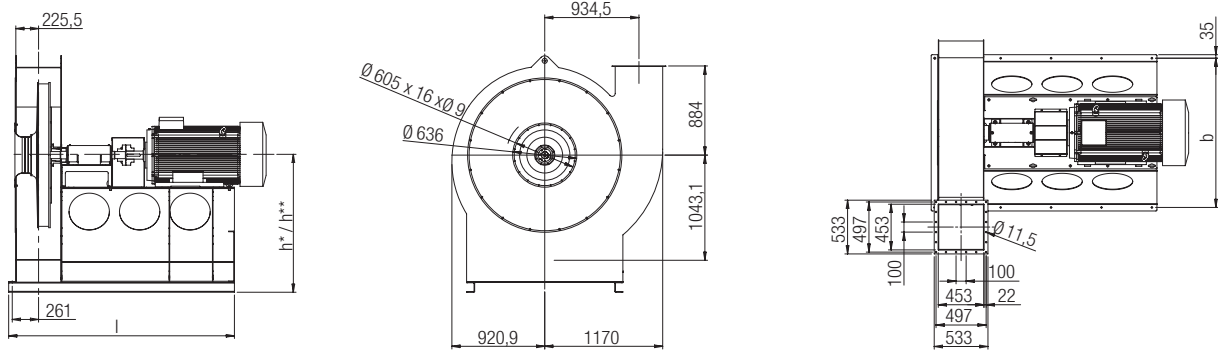
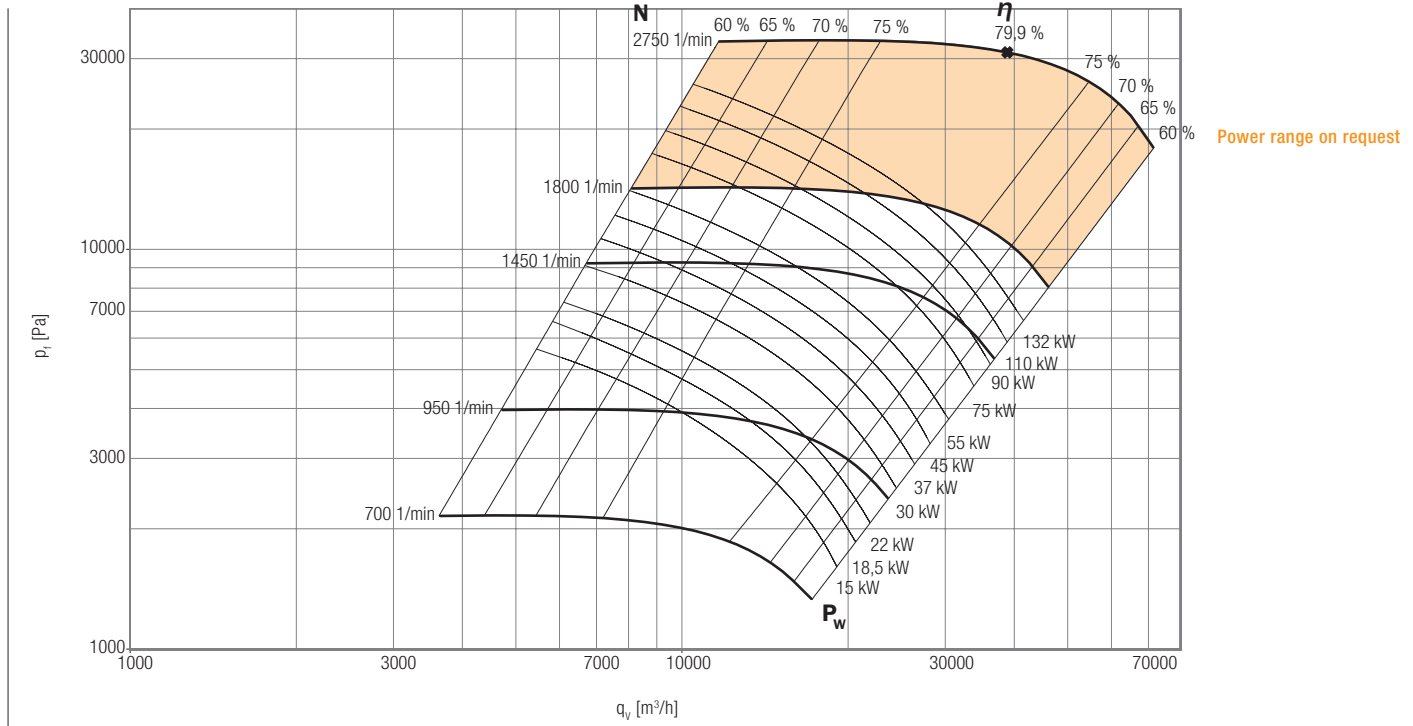
Order no. Fan	Motor power output [kW]	Speed [1/min]	Voltage [V] Connection	Nominal current [A]	Starting current [A]	Weight ca. [kg]	Order no. Z16	h* / h** [mm]	b [mm]	l [mm]
B110119	45	1480	400/690 Δ/Y	80.1	608.8	1218	B149948	1150/1265	1330	1979
B110120	55	1480	400/690 Δ/Y	96.7	711.8	1265	B149948	1150/1265	1330	2040
B110121	75	1480	400/690 Δ/Y	131.0	1003.2	1397	B149948	1150/1265	1330	2112
B110122	90	1480	400/690 Δ/Y	157.0	1185.0	1493	B149948	1150/1265	1330	2112
B110123	110	1485	400/690 Δ/Y	191.0	1356.1	1836	B149948	1150/1265	1330	2345

All indicated values for 400V/50Hz/3~.

h\*: Casing position: 0°, 90° h\*\*: Casing position: 270°

# HREK01-28-1400 Centrifugal fan

Megatec by Poltrich DLK



- Z05** Protective grill suction side  
Ord. no. B151066
- Z10** Flexible sleeve round  
Ord. no. B141033
- Z13** Inspection hatch  
Ord. no. B240512
- Z16** Rubber anti vibration mounts (see below)
- Z18** Flange, round  
Ord. no. B101448
- Z19** Flange, square  
Ord. no. B101211
- Z45** Counter flange  
Ord. no. B101356
- Z63** Transition piece, square to round  
Ord. no. B101481
- Z81** Flexible sleeve square  
Ord. no. B101284
- Z89** Condensate drain  
Ord. no. B240506

Full specifications for accessoires, see page 122

## HREK01-28-1400-B

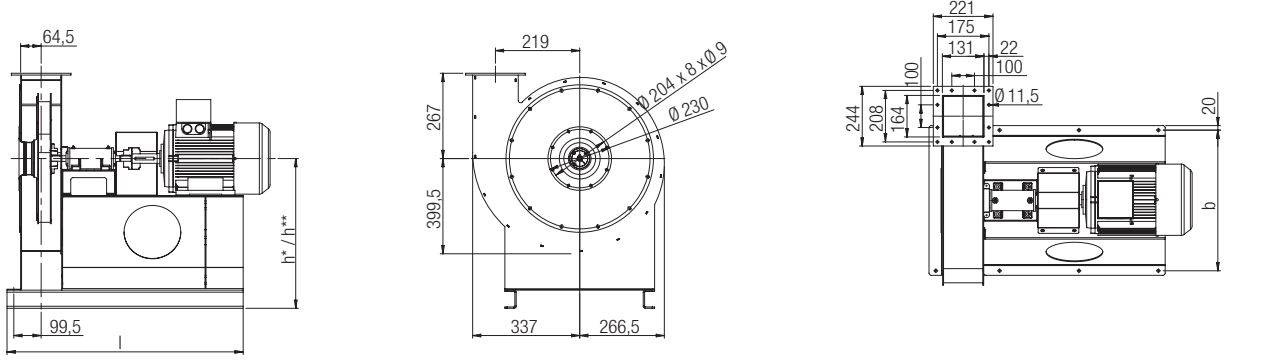
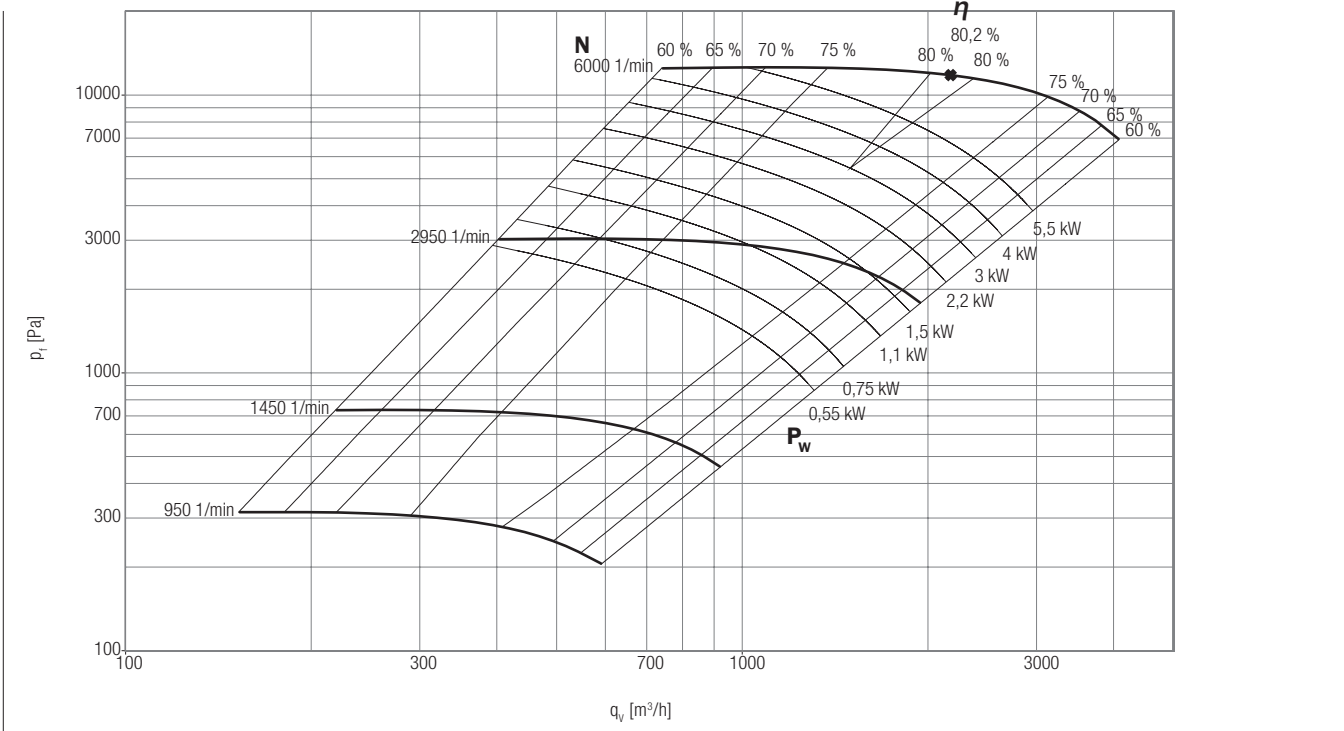
Order no.	Motor power output [kW]	Speed [1/min]	Voltage [V] Connection	Nominal current [A]	Starting current [A]	Weight ca. [kg]	Order no.	$h^*/h^{**}$ [mm]	b [mm]	l [mm]
B110120	75	1480	400/690 $\Delta/Y$	132.0	1003.2	1852	B250291	1260/1390	1480	2343
B110121	90	1480	400/690 $\Delta/Y$	158.0	1185.0	1948	B250291	1260/1390	1480	2343
B110122	110	1485	400/690 $\Delta/Y$	191.0	1356.1	2291	B250291	1260/1390	1480	2576
B110123	132	1485	400/690 $\Delta/Y$	228.0	1664.4	2378	B250291	1260/1390	1480	2576
B110124	18.5	980	400/690 $\Delta/Y$	36.4	254.8	1417	B149948	1260/1390	1480	1960
B110125	22	980	400/690 $\Delta/Y$	42.0	294.0	1447	B149948	1260/1390	1480	1960
B110126	30	980	400/690 $\Delta/Y$	56.2	365.3	1515	B149948	1260/1390	1480	2030
B110127	37	980	400/690 $\Delta/Y$	67.3	464.4	1591	B149948	1260/1390	1480	2091
B110128	45	980	400/690 $\Delta/Y$	81.5	570.5	1713	B149948	1260/1390	1480	2163
B110129	55	980	400/690 $\Delta/Y$	99.2	704.3	1768	B149948	1260/1390	1480	2163
B110130	75	985	400/690 $\Delta/Y$	134.0	978.2	2142	B250291	1260/1390	1480	2396
B110131	15	730	400/690 $\Delta/Y$	32.4	213.8	1424	B149948	1260/1390	1480	1940
B110132	18.5	730	400/690 $\Delta/Y$	39.0	257.4	1440	B149948	1260/1390	1480	2010

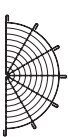

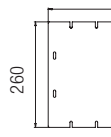





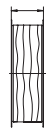

All indicated values for 400V/50Hz/3~.

$h^*$ : Casing position: 0°, 90°  $h^{**}$ : Casing position: 270°

# HREK01-31-0400 Centrifugal fan

Megatec by Pollrich DLK



-   
**Z05** Protective grill suction side  
 Ord. no. B101457
  -   
**Z10** Flexible sleeve round  
 Ord. no. B101460
  -   
**Z13** Inspection hatch  
 Ord. no. B240514
  -   
**Z16** Rubber anti vibration mounts (see below)
  -   
**Z18** Flange, round  
 Ord. no. B101463
  -   
**Z19** Flange, square  
 Ord. no. B101212
  -   
**Z45** Counter flange  
 Ord. no. B101357
  -   
**Z63** Transition piece, square to round  
 Ord. no. B101482
  -   
**Z81** Flexible sleeve square  
 Ord. no. B101285
  -   
**Z89** Condensate drain  
 Ord. no. B240506
- Full specifications for accessoires, see page 122

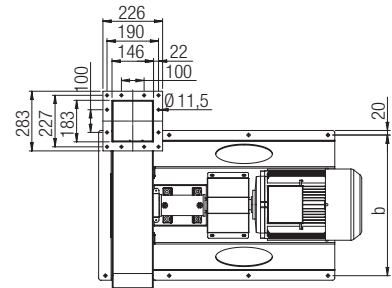
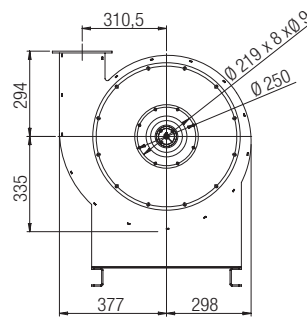
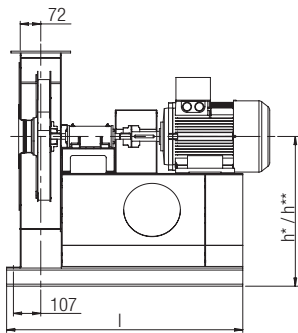
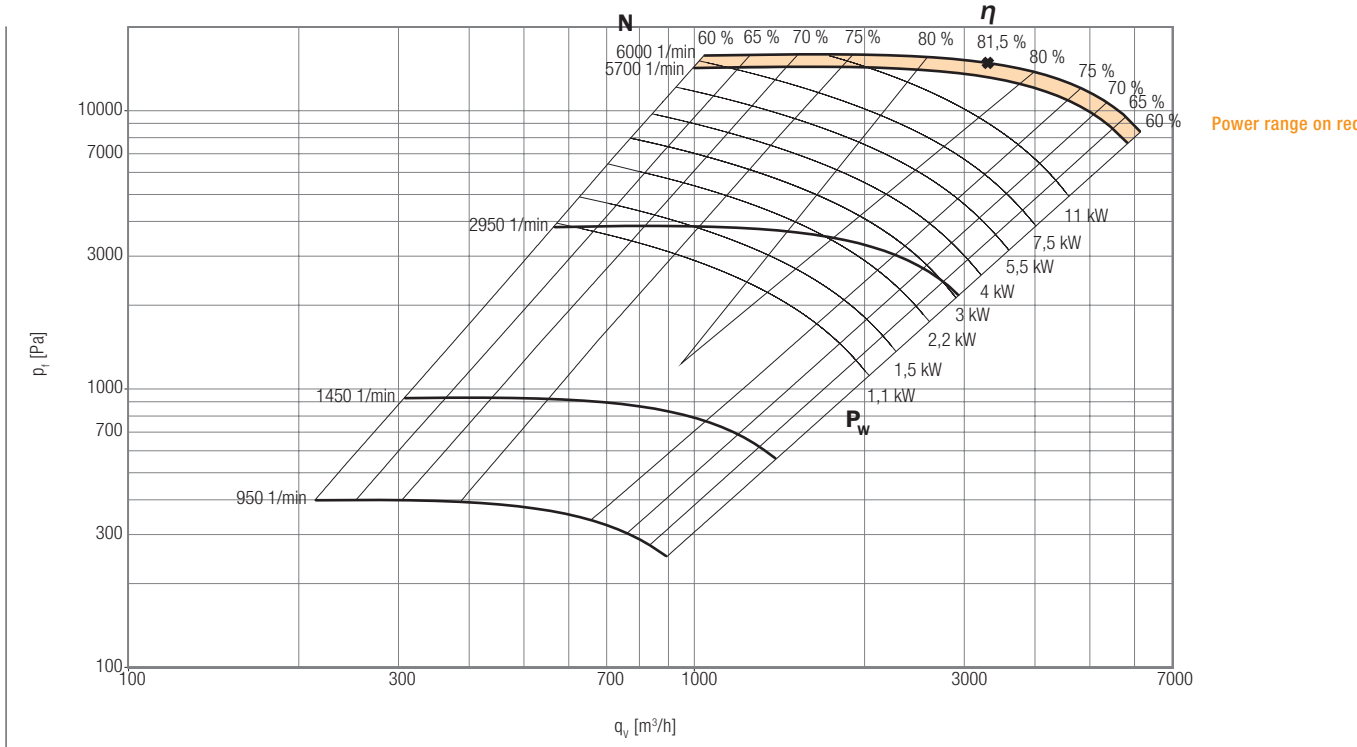
## HREK01-31-0400-B

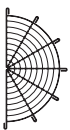
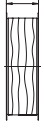
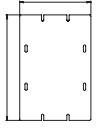






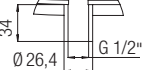
Order no. Fan	Motor power output [kW]	Speed [1/min]	Voltage [V] Connection	Nominal current [A]	Starting current [A]	Weight ca. [kg]	Order no. Z16	$h^*/h^{**}$ [mm]	b [mm]	l [mm]
B110133	1.5	2890	230/400 $\Delta/Y$	3.2	22.4	130	B149380	500/540	450	1437
B110134	2.2	2890	230/400 $\Delta/Y$	4.5	30.9	135	B149380	500/540	450	1437
B110135	3	2891	230/400 $\Delta/Y$	5.9	46.9	142	B149380	500/540	460	1457
B110136	4	2914	400/690 $\Delta/Y$	7.6	57.3	145	B149380	500/540	460	1577
B110137	5.5	2937	400/690 $\Delta/Y$	10.6	79.5	162	B149380	500/540	480	1617
B110138	0.55	1390	230/400 $\Delta/Y$	1.5		125	B149380	500/540	440	1417
B110139	0.75	1400	230/400 $\Delta/Y$	1.8	8.9	127	B149380	500/540	440	1417
B110140	1.1	1440	230/400 $\Delta/Y$	2.5	15.2	131	B149380	500/540	450	1437
B110141	1.5	1445	230/400 $\Delta/Y$	3.4	23.1	134	B149380	500/540	450	1437

All indicated values for 400V/50Hz/3~.  $h^*$ : Casing position: 0°, 90°  $h^{**}$ : Casing position: 270°

# HREK01-31-0450 Centrifugal fan

Megatec by Poltrich DLK



-   
**Z05** Protective grill suction side  
 Ord. no. B101458
  -   
**Z10** Flexible sleeve round  
 Ord. no. B101461
  -   
**Z13** Inspection hatch  
 Ord. no. B240514
  -   
**Z16** Rubber anti vibration mounts (see below)
  -   
**Z18** Flange, round  
 Ord. no. B101464
  -   
**Z19** Flange, square  
 Ord. no. B101213
  -   
**Z45** Counter flange  
 Ord. no. B101358
  -   
**Z63** Transition piece, square to round  
 Ord. no. B101483
  -   
**Z81** Flexible sleeve square  
 Ord. no. B101286
  -   
**Z89** Condensate drain  
 Ord. no. B240506
- Full specifications for accessoires, see page 122

## HREK01-31-0450-B

Order no. <b>Fan</b>	Motor power output [kW]	Speed [1/min]	Voltage [V] Connection	Nominal current [A]	Starting current [A]	Weight ca. [kg]	Order no. <b>Z16</b>	h* / h** [mm]	b [mm]	l [mm]
B110142	3	2891	230/400 Δ/Y	5.9	46.9	155	B149380	540/580	510	1572
B110143	4	2914	400/690 Δ/Y	7.6	57.3	158	B149380	540/580	510	1572
B110144	5.5	2937	400/690 Δ/Y	10.6	79.5	175	B149380	540/580	510	639
B110145	7.5	2940	400/690 Δ/Y	13.9	104.3	180	B149380	540/580	510	1739
B110146	11	2930	400/690 Δ/Y	19.9	151.2	223	B128059	540/580	510	1799
B110147	1.1	1440	230/400 Δ/Y	2.5	15.2	144	B149380	540/580	510	1552
B110148	1.5	1445	230/400 Δ/Y	3.4	23.1	147	B149380	540/580	510	1552
B110149	2.2	1440	230/400 Δ/Y	4.6	32.5	157	B149380	540/580	510	1572
B110150	3	1440	230/400 Δ/Y	6.2	43.3	163	B149380	540/580	510	1572

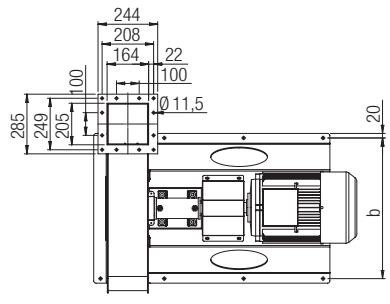
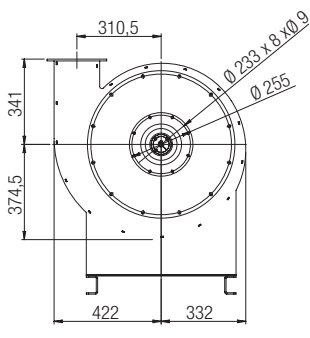
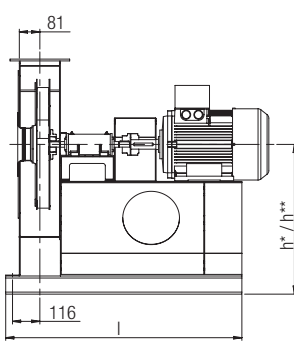
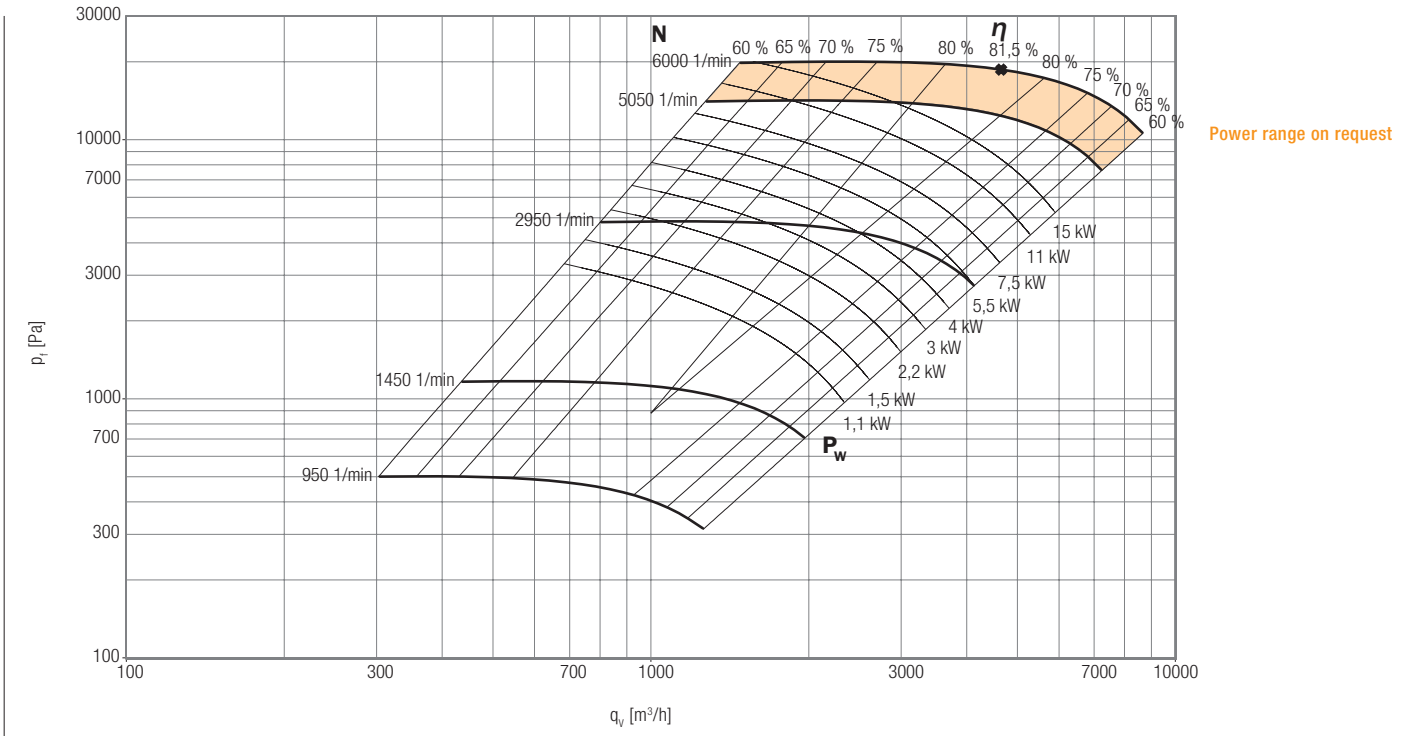
All indicated values for 400V/50Hz/3~.

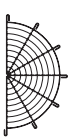

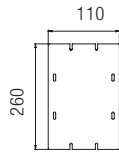







h\*: Casing position: 0°, 90°

h\*\*: Casing position: 270°

# HREK01-31-0500 Centrifugal fan

Megatec by Pollrich DLK



-   
**Z05** Protective grill suction side  
 Ord. no. B101459
  -   
**Z10** Flexible sleeve round  
 Ord. no. B101462
  -   
**Z13** Inspection hatch  
 Ord. no. B240514
  -   
**Z16** Rubber anti vibration mounts  
 (see below)
  -   
**Z18** Flange, round  
 Ord. no. B101465
  -   
**Z19** Flange, square  
 Ord. no. B101214
  -   
**Z45** Counter flange  
 Ord. no. B101359
  -   
**Z63** Transition piece, square to round  
 Ord. no. B101484
  -   
**Z81** Flexible sleeve square  
 Ord. no. B101287
  -   
**Z89** Condensate drain  
 Ord. no. B240506
- Full specifications for accessories, see page 122

## HREK01-31-0500-B

Order no. Fan	Motor power output [kW]	Speed [1/min]	Voltage [V] Connection	Nominal current [A]	Starting current [A]	Weight ca. [kg]	Order no. Z16	h* / h** [mm]	b [mm]	l [mm]
B110151	5.5	2937	400/690 Δ/Y	10.6	79.5	190	B149380	580/625	560	1800
B110152	7.5	2940	400/690 Δ/Y	13.9	104.3	195	B149380	580/625	560	1800
B110153	11	2930	400/690 Δ/Y	19.9	151.2	238	B128059	580/625	560	1860
B110154	15	2930	400/690 Δ/Y	26.6	204.4	264	B128059	580/625	560	1860
B110155	1.1	1440	230/400 Δ/Y	2.5	15.2	159	B149380	580/625	560	1575
B110156	1.5	1445	230/400 Δ/Y	3.4	23.1	162	B149380	580/625	560	1575
B110157	2.2	1440	230/400 Δ/Y	4.6	32.5	172	B149380	580/625	560	1595
B110158	3	1440	230/400 Δ/Y	6.2	43.3	178	B149380	580/625	560	1595
B110159	4	1445	400/690 Δ/Y	8.1	60.9	183	B149380	580/625	560	1595
B110160	5.5	1455	400/690 Δ/Y	10.9	69.8	195	B149380	580/625	560	1800

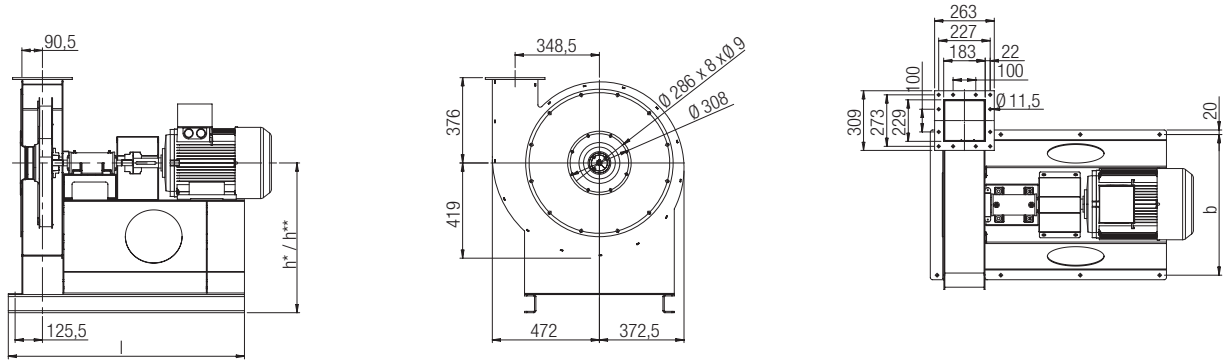
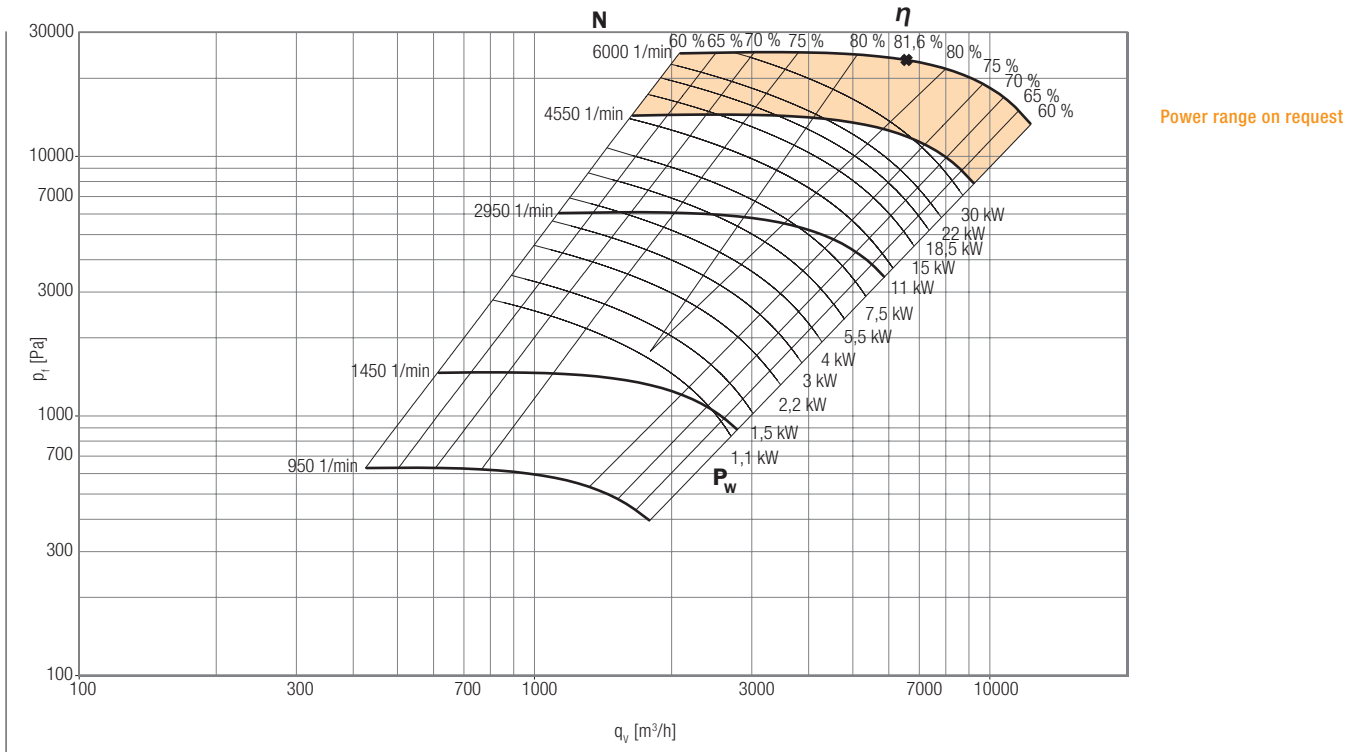
All indicated values for 400V/50Hz/3~.


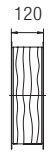
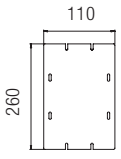
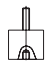



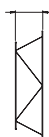


h\*: Casing position: 0°, 90°

h\*\*: Casing position: 270°

# HREK01-31-0560 Centrifugal fan

Megatec by Poltrich DLK



-   
**Z05** Protective grill suction side  
Ord. no. B151080
-   
**Z10** Flexible sleeve round  
Ord. no. B140894
-   
**Z13** Inspection hatch  
Ord. no. B240509
-   
**Z16** Rubber anti vibration mounts (see below)
-   
**Z18** Flange, round  
Ord. no. B101441
-   
**Z19** Flange, square  
Ord. no. B101215
-   
**Z45** Counter flange  
Ord. no. B101360
-   
**Z63** Transition piece, square to round  
Ord. no. B101485
-   
**Z81** Flexible sleeve square  
Ord. no. B101288
-   
**Z89** Condensate drain  
Ord. no. B240506

**HREK01-31-0560-B**

Full specifications for accessoires, see page 122

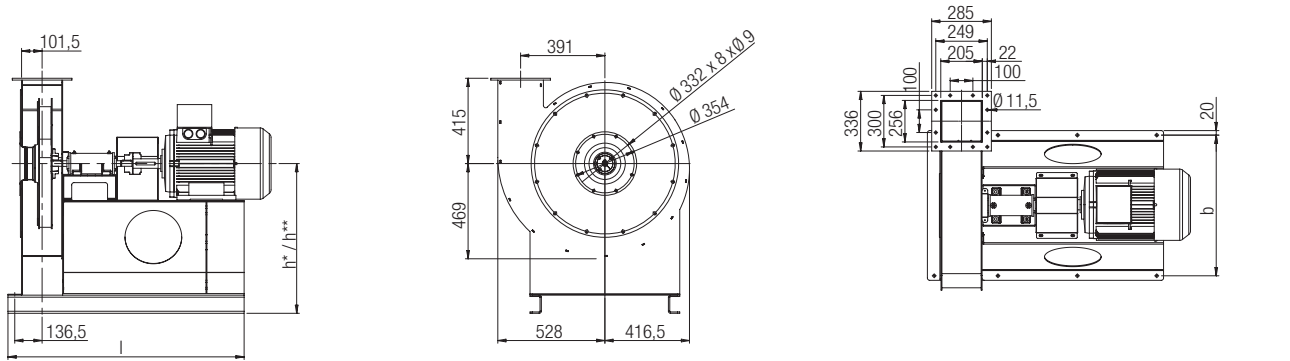
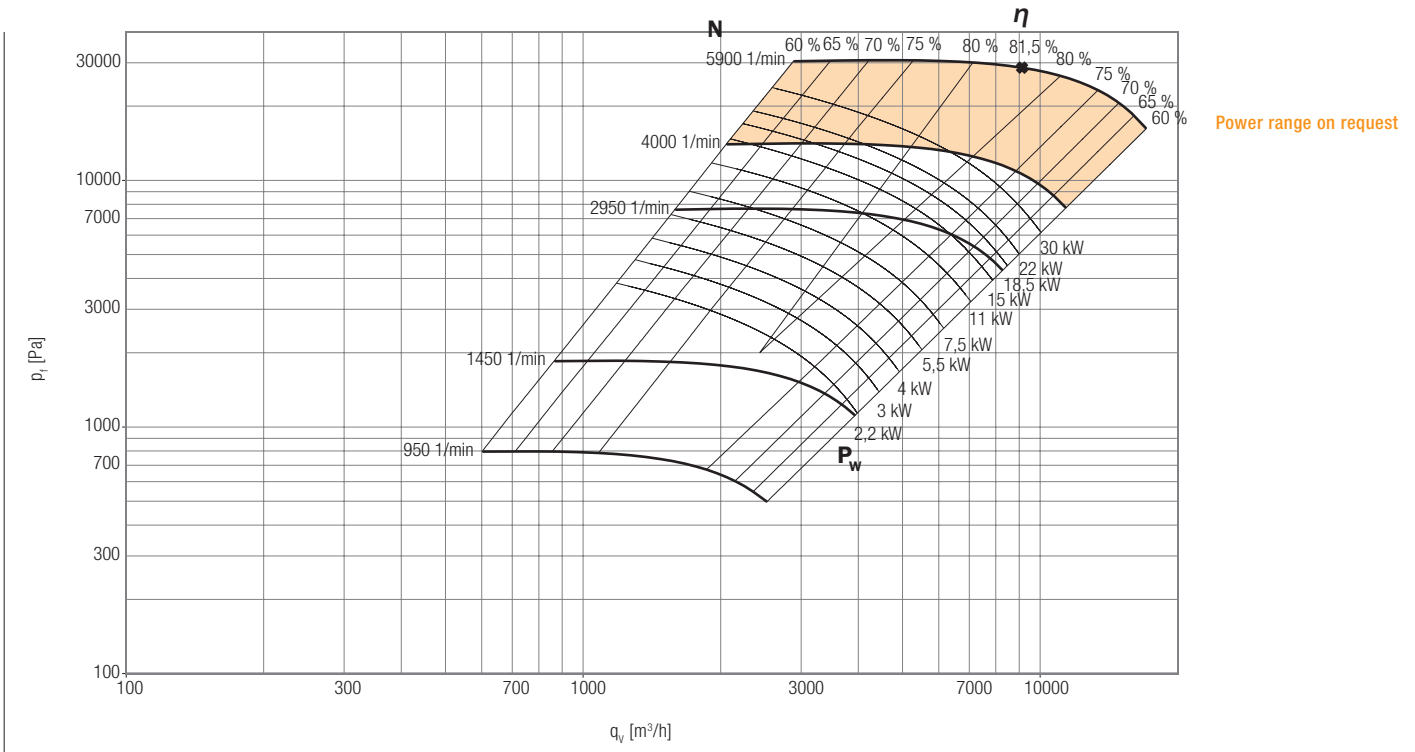
Order no. Fan	Motor power output [kW]	Speed [1/min]	Voltage [V] Connection	Nominal current [A]	Starting current [A]	Weight ca. [kg]	Order no. Z16	h* / h** [mm]	b [mm]	l [mm]
B110161	7.5	2940	400/690 Δ/Y	13.9	104.3	215	B128059	620/680	620	1649
B110162	11	2930	400/690 Δ/Y	19.9	151.2	258	B128059	620/680	620	1879
B110163	15	2930	400/690 Δ/Y	26.9	204.4	284	B128059	620/680	620	1879
B110164	18.5	2937	400/690 Δ/Y	33.0	244.2	314	B149928	620/680	620	1879
B110165	22	2940	400/690 Δ/Y	39.5	308.1	350	B149928	620/680	620	1879
B110166	30	2950	400/690 Δ/Y	53.4	416.5	407	B149928	620/680	620	1879
B110167	1.1	1440	230/400 Δ/Y	2.5	15.2	179	B149380	620/680	620	1589
B110168	1.5	1445	230/400 Δ/Y	3.4	23.1	182	B149380	620/680	620	1589
B110169	2.2	1440	230/400 Δ/Y	4.6	32.5	192	B149380	620/680	620	1609
B110170	3	1440	230/400 Δ/Y	6.2	43.3	198	B149380	620/680	620	1609
B110171	4	1445	400/690 Δ/Y	8.1	60.9	203	B149380	620/680	620	1609
B110172	5.5	1455	400/690 Δ/Y	10.9	69.8	215	B128059	620/680	620	1649
B110173	7.5	1455	400/690 Δ/Y	14.5	101.5	226	B128059	620/680	620	1649

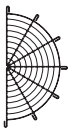

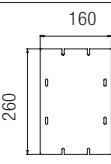




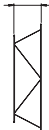


All indicated values for 400V/50Hz/3~.

h\*: Casing position: 0°, 90° h\*\*: Casing position: 270°

# HREK01-31-0630 Centrifugal fan

Megatec by Pollrich DLK



-   
**Z05** Protective grill suction side  
 Ord. no. B151078
  -   
**Z10** Flexible sleeve round  
 Ord. no. B141027
  -   
**Z13** Inspection hatch  
 Ord. no. B240509
  -   
**Z16** Rubber anti vibration mounts (see below)
  -   
**Z18** Flange, round  
 Ord. no. B101442
  -   
**Z19** Flange, square  
 Ord. no. B101216
  -   
**Z45** Counter flange  
 Ord. no. B101361
  -   
**Z63** Transition piece, square to round  
 Ord. no. B101486
  -   
**Z81** Flexible sleeve square  
 Ord. no. B101289
  -   
**Z89** Condensate drain  
 Ord. no. B240506
- Full specifications for accessories, see page 122

**HREK01-31-0630-B**

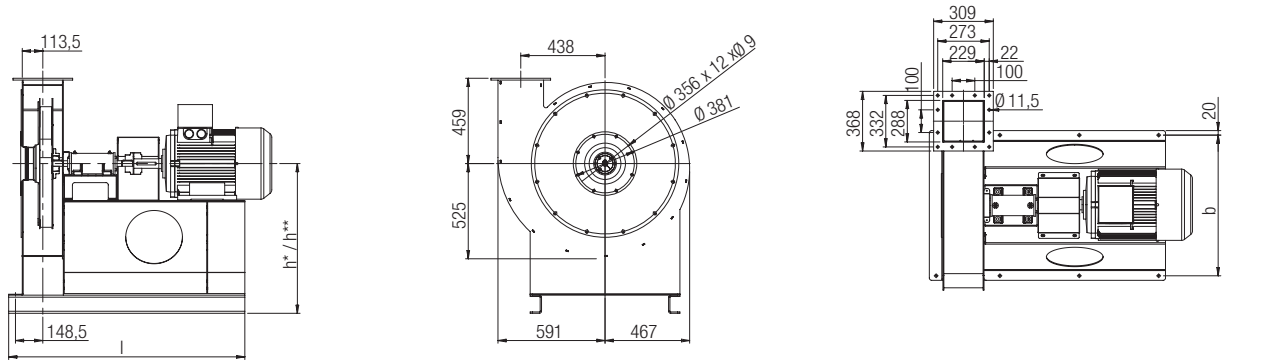
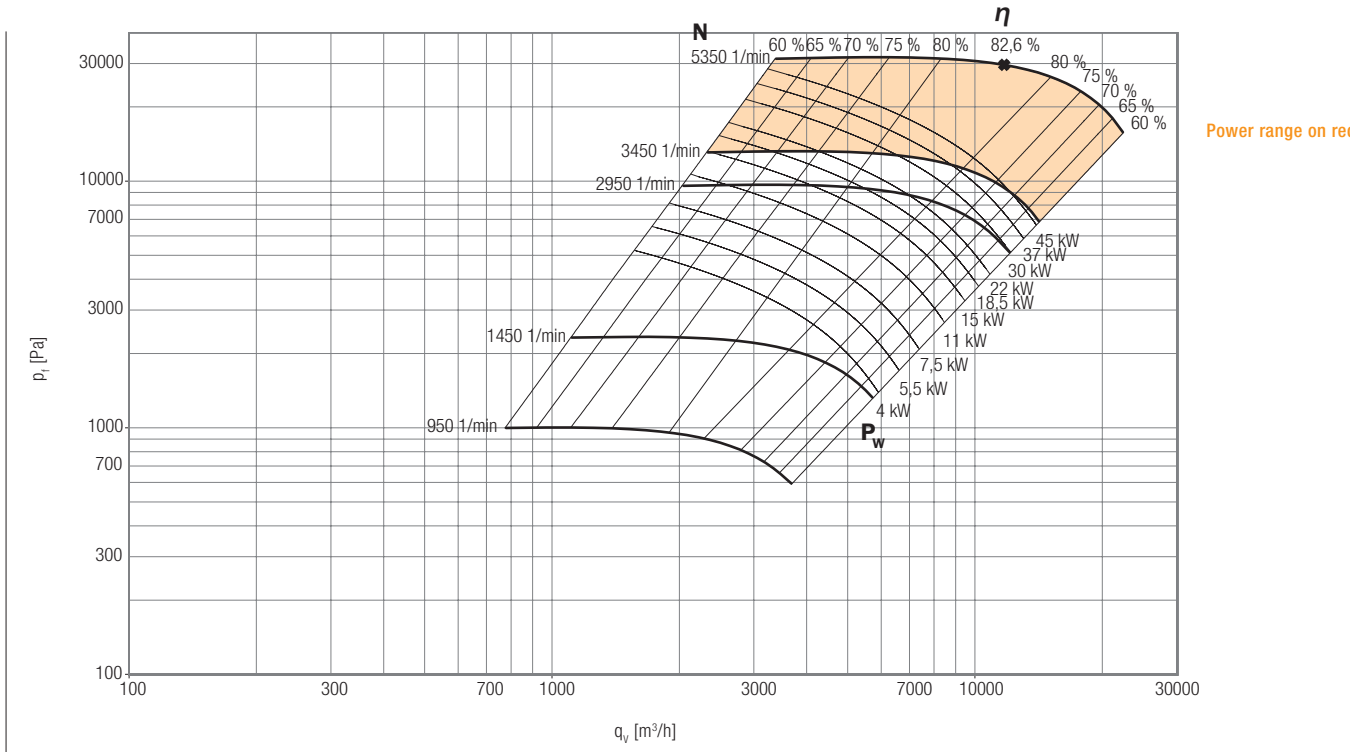
Order no. Fan	Motor power output [kW]	Speed [1/min]	Voltage [V] Connection	Nominal current [A]	Starting current [A]	Weight ca. [kg]	Order no. Z16	h* / h** [mm]	b [mm]	l [mm]
B110175	30	2950	400/690 Δ/Y	53.4	416.5	442	B149928	670/730	690	2009
B110176	22	2940	400/690 Δ/Y	39.5	308.1	385	B149928	670/730	690	2009
B110177	18.5	2937	400/690 Δ/Y	33.0	244.2	349	B149928	670/730	690	2009
B110178	15	2930	400/690 Δ/Y	26.9	204.4	319	B149928	670/730	690	2009
B110179	15	1460	400/690 Δ/Y	29.6	222.0	307	B128059	670/730	690	1839
B110180	11	1460	400/690 Δ/Y	22.1	152.5	330	B128059	670/730	690	1839
B110181	7.5	1455	400/690 Δ/Y	14.5	101.5	256	B128059	670/730	690	1786
B110182	5.5	1455	400/690 Δ/Y	10.9	69.8	245	B128059	670/730	690	1806
B110183	4	1445	400/690 Δ/Y	8.1	60.9	233	B128059	670/730	690	1786
B110184	3	1440	230/400 Δ/Y	6.1	43.3	226	B149928	670/730	690	1806
B110185	2.2	1440	230/400 Δ/Y	4.6	32.5	220	B149928	670/730	690	1806


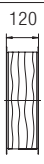
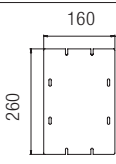
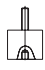


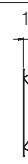
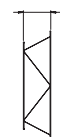


All indicated values for 400V/50Hz/3~. h\*: Casing position: 0°, 90° h\*\*: Casing position: 270°



# HREK01-31-0710 Centrifugal fan

Megatec by Poltrich DLK



-   
**Z05** Protective grill suction side  
 Ord. no. B151076
  -   
**Z10** Flexible sleeve round  
 Ord. no. B141028
  -   
**Z13** Inspection hatch  
 Ord. no. B240509
  -   
**Z16** Rubber anti vibration mounts (see below)
  -   
**Z18** Flange, round  
 Ord. no. B101443
  -   
**Z19** Flange, square  
 Ord. no. B101217
  -   
**Z45** Counter flange  
 Ord. no. B101362
  -   
**Z63** Transition piece, square to round  
 Ord. no. B101487
  -   
**Z81** Flexible sleeve square  
 Ord. no. B101290
  -   
**Z89** Condensate drain  
 Ord. no. B240506
- Full specifications for accessoires, see page 122

**HREK01-31-0710-B**

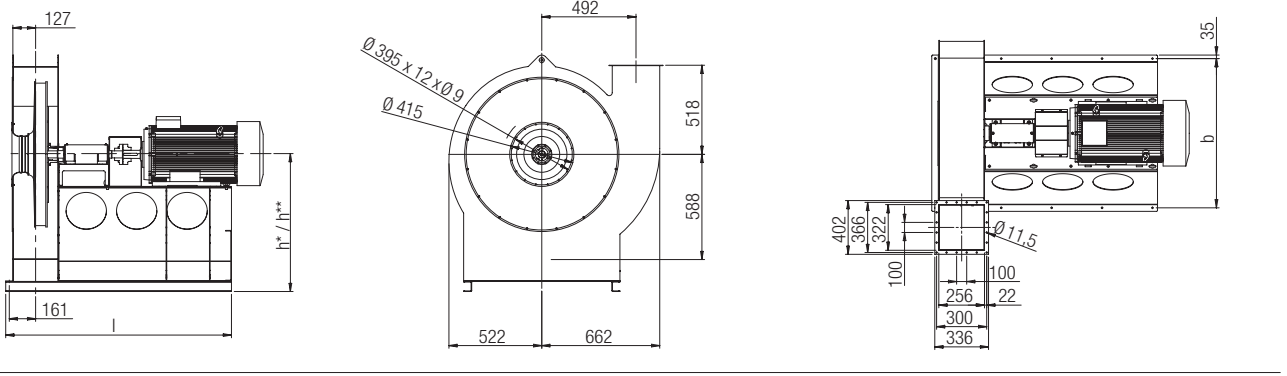
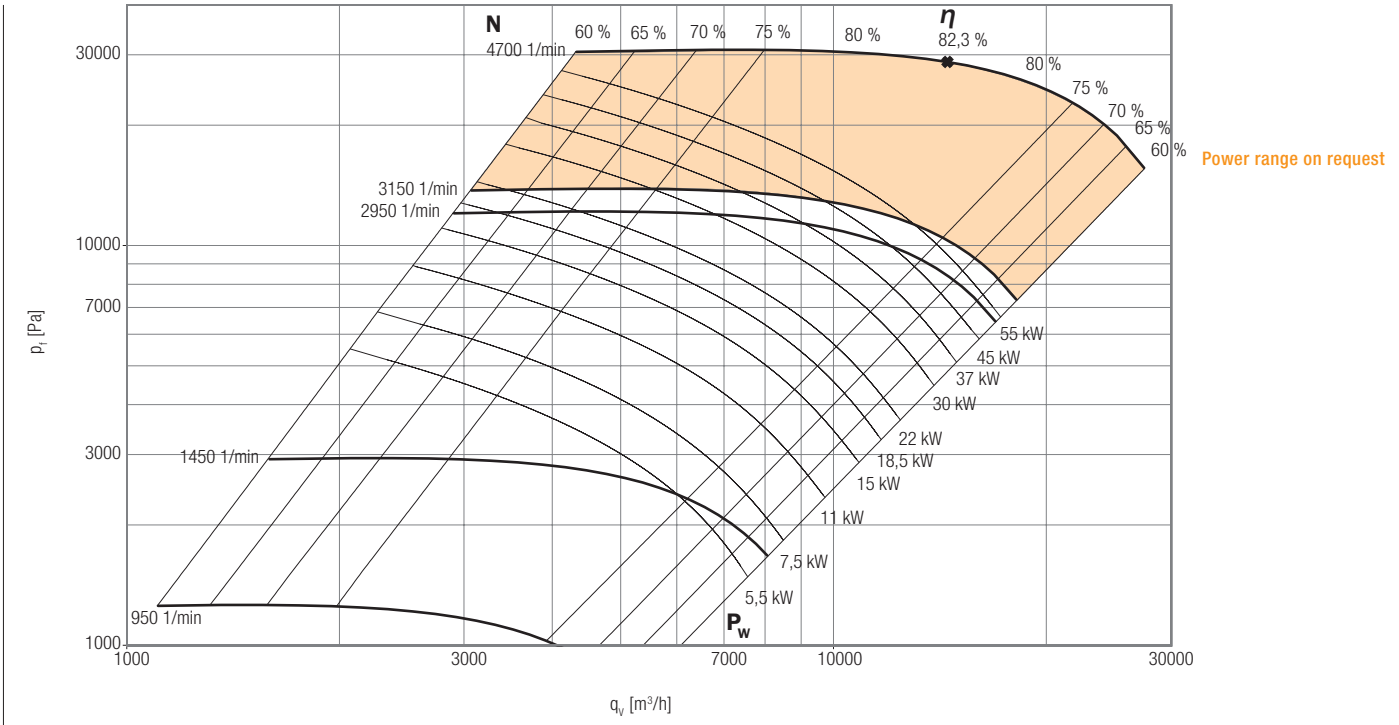
Order no. <b>Fan</b>	Motor power output [kW]	Speed [1/min]	Voltage [V] Connection	Nominal current [A]	Starting current [A]	Weight ca. [kg]	Order no. <b>Z16</b>	h* / h** [mm]	b [mm]	l [mm]
B110186	45	2960	400/690 Δ/Y	78.4	588.0	565	B149937	725/790	770	2165
B110187	37	2950	400/690 Δ/Y	64.8	499.0	481	B149937	725/790	770	2135
B110188	30	2950	400/690 Δ/Y	53.4	416.5	480	B149937	725/790	770	2065
B110189	22	1470	400/690 Δ/Y	40.2	301.5	480	B128059	725/790	770	2095
B110190	18.5	1470	400/690 Δ/Y	34.0	265.2	405	B128059	725/790	770	2115
B110191	15	1460	400/690 Δ/Y	29.6	222.0	349	B128059	725/790	770	1970
B110192	11	1460	400/690 Δ/Y	22.1	152.5	372	B149928	725/790	770	2000
B110193	7.5	1455	400/690 Δ/Y	14.5	101.5	298	B149928	725/790	770	1970
B110194	5.5	1455	400/690 Δ/Y	10.9	69.8	287	B149928	725/790	770	1970
B110195	4	1445	400/690 Δ/Y	8.1	60.9	275	B149928	725/790	770	1950

All indicated values for 400V/50Hz/3~.

h\*: Casing position: 0°, 90° h\*\*: Casing position: 270°

# HREK01-31-0800 Centrifugal fan

Megatec by Pollrich DLK



- Z05** Protective grill suction side  
Ord. no. B151074
  - Z10** Flexible sleeve round  
Ord. no. B141029
  - Z13** Inspection hatch  
Ord. no. B240509
  - Z16** Rubber anti vibration mounts (see below)
  - Z18** Flange, round  
Ord. no. B101444
  - Z19** Flange, square  
Ord. no. B101218
  - Z45** Counter flange  
Ord. no. B101363
  - Z63** Transition piece, square to round  
Ord. no. B101488
  - Z81** Flexible sleeve square  
Ord. no. B101291
  - Z89** Condensate drain  
Ord. no. B240506
- Full specifications for accessories, see page 122

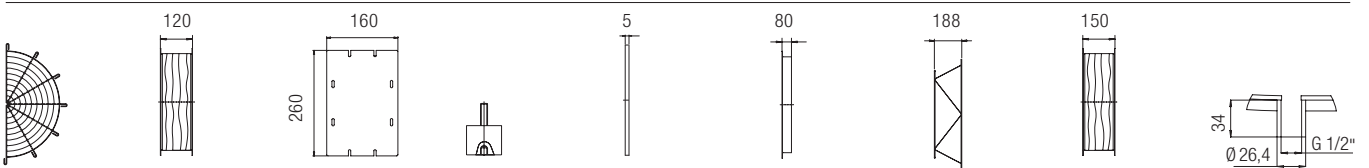
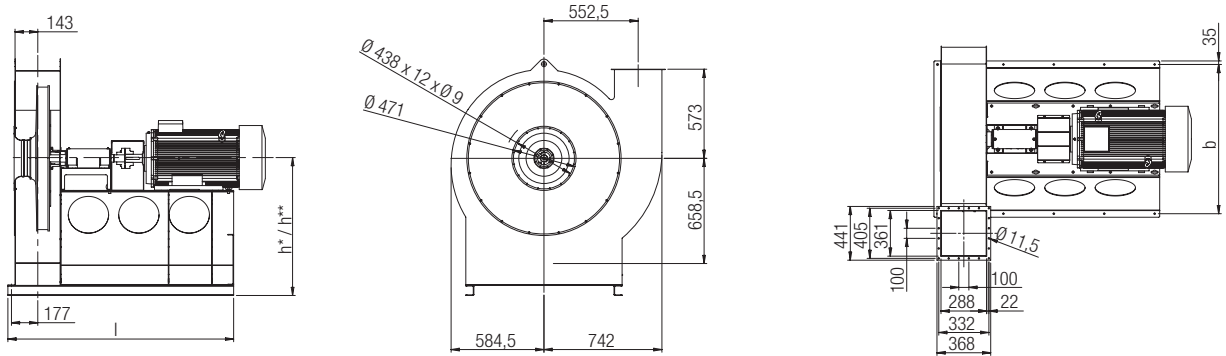
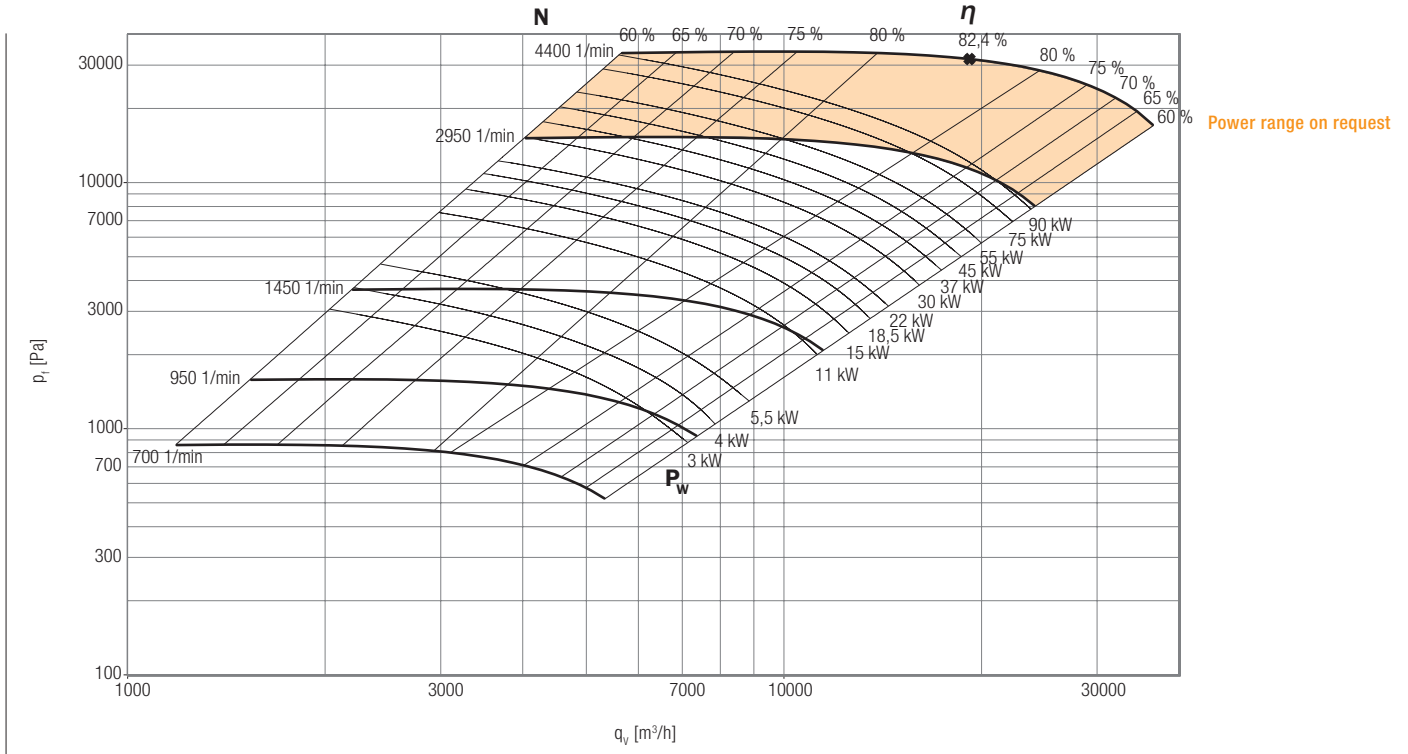
## HREK01-31-0800-B

Order no. Fan	Motor power output [kW]	Speed [1/min]	Voltage [V] Connection	Nominal current [A]	Starting current [A]	Weight ca. [kg]	Order no. Z16	h* / h** [mm]	b [mm]	l [mm]
B110196	55	2965	400/690 Δ/Y	94.5	671.0	685	B149937	810/885	880	2320
B110197	45	2960	400/690 Δ/Y	78.4	588.0	627	B149937	810/885	880	2320
B110198	45	1480	400/690 Δ/Y	80.1	608.8	633	B128059	810/885	880	2120
B110199	37	1480	400/690 Δ/Y	66.2	496.5	603	B128059	810/885	880	2120
B110200	30	1470	400/690 Δ/Y	54.4	386.2	561	B149928	810/885	880	2140
B110201	22	1470	400/690 Δ/Y	40.2	301.5	475	B149928	810/885	880	2049
B110202	18.5	1470	400/690 Δ/Y	34.0	265.2	458	B149928	810/885	880	2049
B110203	15	1460	400/690 Δ/Y	29.6	222.0	402	B149928	810/885	880	2013
B110204	11	1460	400/690 Δ/Y	22.1	152.5	425	B149928	810/885	880	2013
B110205	7.5	1455	400/690 Δ/Y	14.5	101.5	351	B149937	810/885	880	1921
B110206	5.5	1455	400/690 Δ/Y	10.9	69.8	340	B149937	810/885	880	1921

All indicated values for 400V/50Hz/3~. h\*: Casing position: 0°, 90° h\*\*: Casing position: 270°

# HREK01-31-0900 Centrifugal fan

Megatec by Poltrich DLK



- Z05** Protective grill suction side  
Ord. no. B151061
- Z10** Flexible sleeve round  
Ord. no. B141030
- Z13** Inspection hatch  
Ord. no. B240509
- Z16** Rubber anti vibration mounts (see below)
- Z18** Flange, round  
Ord. no. B101445
- Z19** Flange, square  
Ord. no. B101219
- Z45** Counter flange  
Ord. no. B101364
- Z63** Transition piece, square to round  
Ord. no. B101489
- Z81** Flexible sleeve square  
Ord. no. B101292
- Z89** Condensate drain  
Ord. no. B240506

Full specifications for accessoires, see page 122

## HREK01-31-0900-B

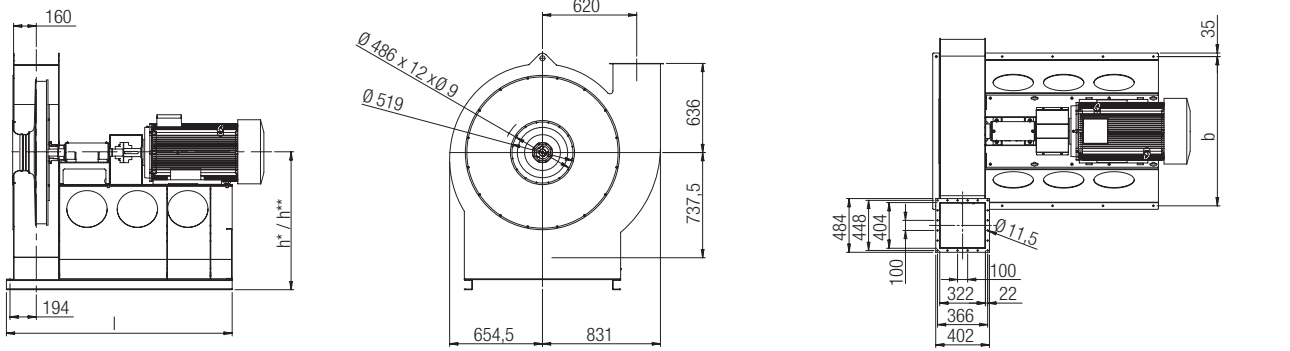
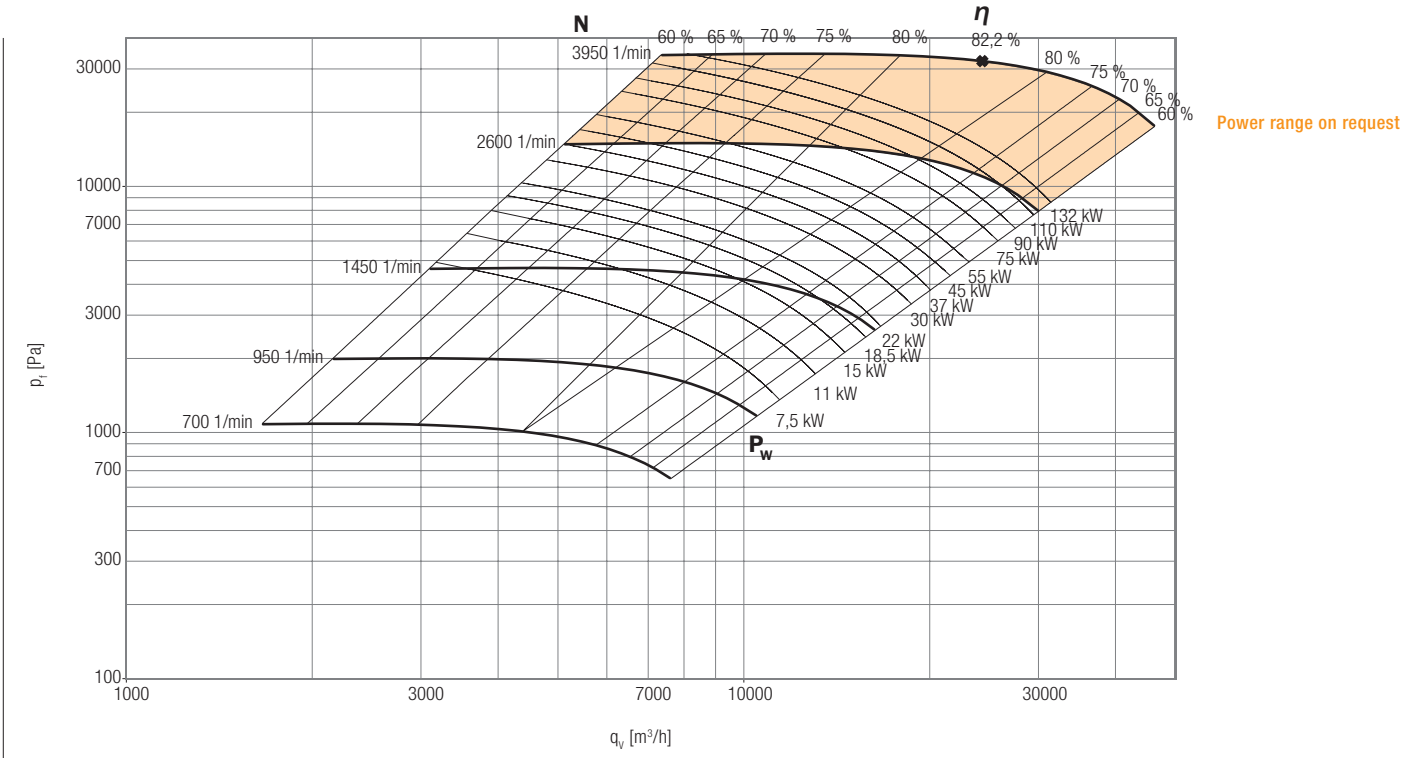
Order no. Fan	Motor power output [kW]	Speed [1/min]	Voltage [V] Connection	Nominal current [A]	Starting current [A]	Weight ca. [kg]	Order no. Z16	h* / h** [mm]	b [mm]	l [mm]
B110207	75	2970	400/690 Δ/Y	127.0	939.8	901	B149937	880/965	980	1898
B110208	90	2970	400/690 Δ/Y	150.0	1140.0	946	B149937	880/965	980	1898
B110209	11	1460	400/690 Δ/Y	22.1	152.5	507	B149928	880/965	980	1511
B110210	15	1460	400/690 Δ/Y	29.6	222.0	484	B149928	880/965	980	1511
B110211	18.5	1470	400/690 Δ/Y	32.7	255.3	540	B149928	880/965	980	1547
B110212	22	1470	400/690 Δ/Y	38.4	288.2	557	B149928	880/965	980	1547
B110213	30	1470	400/690 Δ/Y	54.4	386.2	643	B149937	880/965	980	1638
B110214	37	1480	400/690 Δ/Y	66.2	496.5	685	B149937	880/965	980	1705
B110218	3	964	400/690 Δ/Y	6.8	30.7	413	B149937	880/965	980	1481
B110219	4	965	400/690 Δ/Y	8.9	44.8	422	B149937	880/965	980	1481
B110220	5.5	965	400/690 Δ/Y	12.0	66.0	433	B149937	880/965	980	1329
B110221	7.5	970	400/690 Δ/Y	15.9	103.4	469	B149928	880/965	980	1359
B110222	11	970	400/690 Δ/Y	22.1	166.1	519	B149928	880/965	980	1359

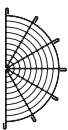

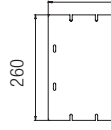





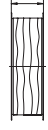

All indicated values for 400V/50Hz/3~.

h\*: Casing position: 0°, 90° h\*\*: Casing position: 270°

# HREK01-31-1000 Centrifugal fan

Megatec by Pollrich DLK



-   
**Z05** Protective grill suction side  
 Ord. no. B151081
-   
**Z10** Flexible sleeve round  
 Ord. no. B141031
-   
**Z13** Inspection hatch  
 Ord. no. B240512
-   
**Z16** Rubber anti vibration mounts (see below)
-   
**Z18** Flange, round  
 Ord. no. B101446
-   
**Z19** Flange, square  
 Ord. no. B101220
-   
**Z45** Counter flange  
 Ord. no. B101365
-   
**Z63** Transition piece, square to round  
 Ord. no. B101490
-   
**Z81** Flexible sleeve square  
 Ord. no. B101293
-   
**Z89** Condensate drain  
 Ord. no. B240506

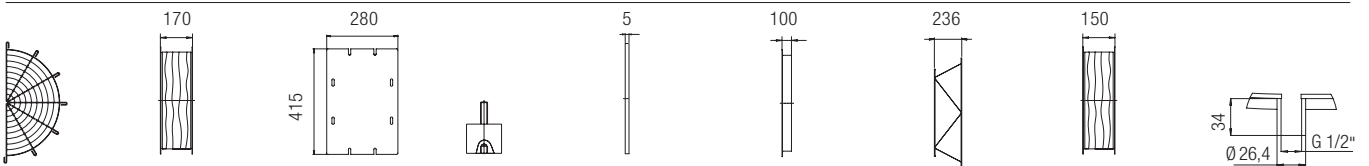
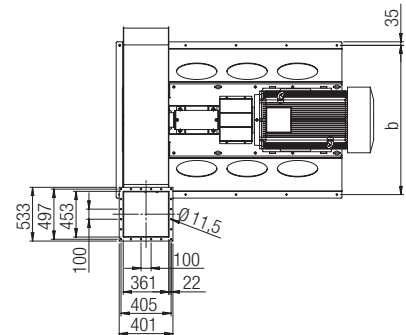
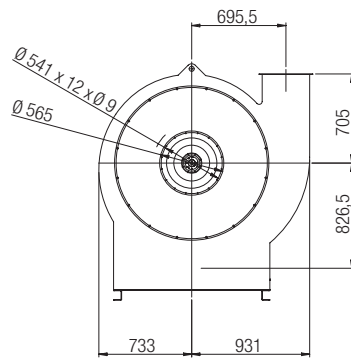
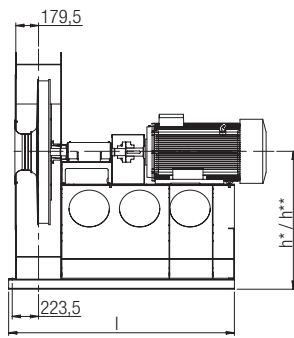
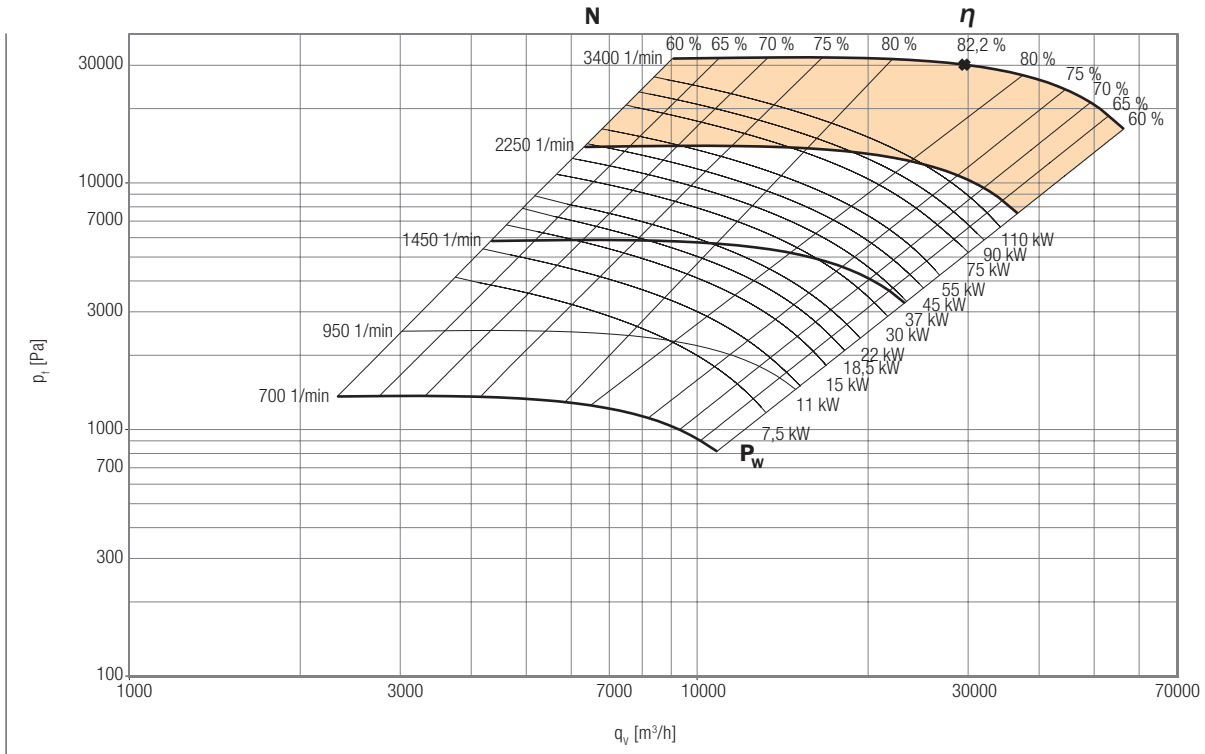
HREK01-31-1000-B Full specifications for accessoires, see page 122

Order no. Fan	Motor power output [kW]	Speed [1/min]	Voltage [V] Connection	Nominal current [A]	Starting current [A]	Weight ca. [kg]	Order no. Z16	h* / h** [mm]	b [mm]	l [mm]
B110223	15	1460	400/690 Δ/Y	29.6	222.0	586	B149928	960/1055	1080	1545
B110224	18.5	1470	400/690 Δ/Y	32.7	255.3	642	B149937	960/1055	1080	1581
B110225	22	1470	400/690 Δ/Y	38.43	288.2	659	B149937	960/1055	1080	1581
B110226	30	1470	400/690 Δ/Y	54.4	386.2	745	B149937	960/1055	1080	1672
B110227	37	1480	400/690 Δ/Y	66.2	496.5	787	B149937	960/1055	1080	1742
B110228	45	1480	400/690 Δ/Y	80.1	608.8	817	B149937	960/1055	1080	1742
B110229	55	1480	400/690 Δ/Y	96.7	705.9	864	B149937	960/1055	1080	1803
B110230	75	1480	400/690 Δ/Y	131.0	995.6	996	B149948	960/1055	1080	1935
B110231	90	1480	400/690 Δ/Y	157.0	1177.5	1092	B149948	960/1055	1080	1935
B110232	110	1485	400/690 Δ/Y	191.0	1356.1	1435	B149948	960/1055	1080	1965
B110233	7.5	970	400/690 Δ/Y	15.9	103.4	571	B149928	960/1055	1080	1545
B110234	11	970	400/690 Δ/Y	22.1	166.1	621	B149937	960/1055	1080	1545
B110235	15	975	400/690 Δ/Y	29.8	190.7	673	B149937	960/1055	1080	1581

All indicated values for 400V/50Hz/3~. h\*: Casing position: 0°, 90° h\*\*: Casing position: 270°

# HREK01-31-1120 Centrifugal fan

Megatec by Poltrich DLK



**Z05** Protective grill suction side  
Ord. no. B151068

**Z10** Flexible sleeve round  
Ord. no. B141032

**Z13** Inspection hatch  
Ord. no. B240512

**Z16** Rubber anti vibration mounts (see below)

**Z18** Flange, round  
Ord. no. B101447

**Z19** Flange, square  
Ord. no. B101221

**Z45** Counter flange  
Ord. no. B101366

**Z63** Transition piece, square to round  
Ord. no. B101491

**Z81** Flexible sleeve square  
Ord. no. B101294

**Z89** Condensate drain  
Ord. no. B240506

Full specifications for accessoires, see page 122

## HREK01-31-1120-B

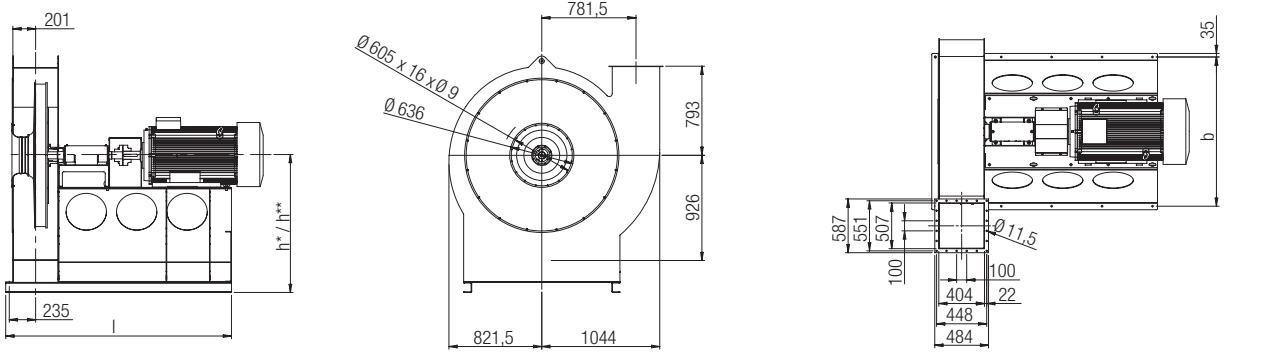
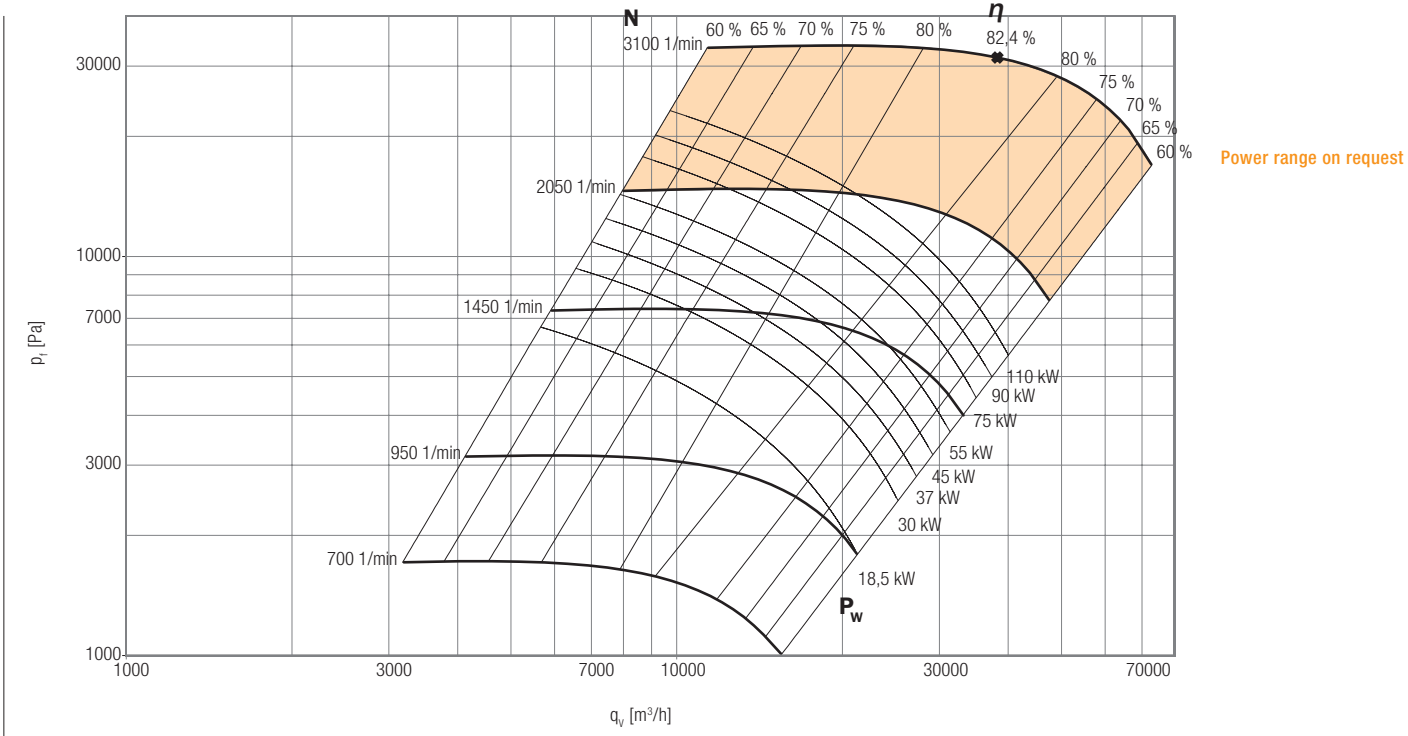
Order no. Fan	Motor power output [kW]	Speed [1/min]	Voltage [V] Connection	Nominal current [A]	Starting current [A]	Weight ca. [kg]	Order no. Z16	h* / h** [mm]	b [mm]	l [mm]
B110236	30	1470	400/690 Δ/Y	54.4	386.2	915	B149937	1050/1155	1200	1863
B110237	37	1480	400/690 Δ/Y	66.2	496.5	957	B149937	1050/1155	1200	1933
B110238	45	1480	400/690 Δ/Y	80.1	608.8	987	B149948	1050/1155	1200	1933
B110239	55	1480	400/690 Δ/Y	96.7	705.9	1034	B149948	1050/1155	1200	1994
B110240	75	1480	400/690 Δ/Y	131.0	995.6	1166	B149948	1050/1155	1200	2066
B110241	90	1480	400/690 Δ/Y	157.0	1177.5	1262	B149948	1050/1155	1200	2066
B110242	110	1485	400/690 Δ/Y	191.0	1356.1	1605	B149948	1050/1155	1200	2299
B110243	18.5	980	400/690 Δ/Y	35.7	249.9	821	B149937	1050/1155	1200	1753
B110244	22	980	400/690 Δ/Y	41.5	290.5	851	B149937	1050/1155	1200	1753
B110245	30	980	400/690 Δ/Y	56.2	365.3	919	B149937	1050/1155	1200	1823
B110247	11	730	400/690 Δ/Y	23.4	140.4	779	B149937	1050/1155	1200	1697
B110248	15	730	400/690 Δ/Y	32.1	211.9	847	B149937	1050/1155	1200	1788
B110249	18.5	730	400/690 Δ/Y	39.0	257.4	863	B149937	1050/1155	1200	1858



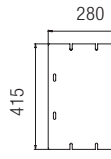







All indicated values for 400V/50Hz/3~.

h\*: Casing position: 0°, 90° h\*\*: Casing position: 270°

# HREK01-31-1250 Centrifugal fan

Megatec by Pollrich DLK



-   
**Z05** Protective grill suction side  
 Ord. no. B151066
  -   
**Z10** Flexible sleeve round  
 Ord. no. B141033
  -   
**Z13** Inspection hatch  
 Ord. no. B240512
  -   
**Z16** Rubber anti vibration mounts (see below)
  -   
**Z18** Flange, round  
 Ord. no. B101448
  -   
**Z19** Flange, square  
 Ord. no. B101222
  -   
**Z45** Counter flange  
 Ord. no. B101367
  -   
**Z63** Transition piece, square to round  
 Ord. no. B101492
  -   
**Z81** Flexible sleeve square  
 Ord. no. B101295
  -   
**Z89** Condensate drain  
 Ord. no. B240506
- Full specifications for accessoires, see page 122

## HREK01-31-1250-B

Order no. Fan	Motor power output [kW]	Speed [1/min]	Voltage [V] Connection	Nominal current [A]	Starting current [A]	Weight ca. [kg]	Order no. Z16	h* / h** [mm]	b [mm]	l [mm]
B110250	45	1480	400/690 Δ/Y	80.1	608.8	1218	B149948	1150/1265	1330	1979
B110251	55	1480	400/690 Δ/Y	96.7	705.9	1265	B149948	1150/1265	1330	2040
B110252	75	1480	400/690 Δ/Y	131.0	995.6	1397	B149948	1150/1265	1330	2112
B110253	90	1480	400/690 Δ/Y	157.0	1177.5	1493	B149948	1150/1265	1330	2112
B110254	110	1485	400/690 Δ/Y	191.0	1356.1	1836	B149948	1150/1265	1330	2345
B110255	30	980	400/690 Δ/Y	56.2	365.4	1153	B149948	1150/1265	1330	1959
B110256	37	980	400/690 Δ/Y	66.8	461.3	1229	B149948	1150/1265	1330	2020
B110257	45	980	400/690 Δ/Y	80.4	563.1	1351	B149948	1150/1265	1330	2092
B110258	18.5	730	400/690 Δ/Y	39.0	257.4	1099	B149948	1150/1265	1330	1959

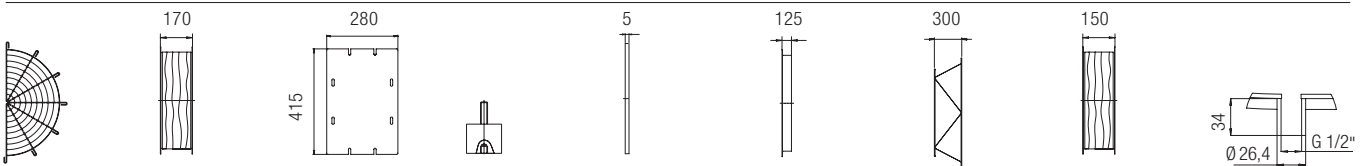
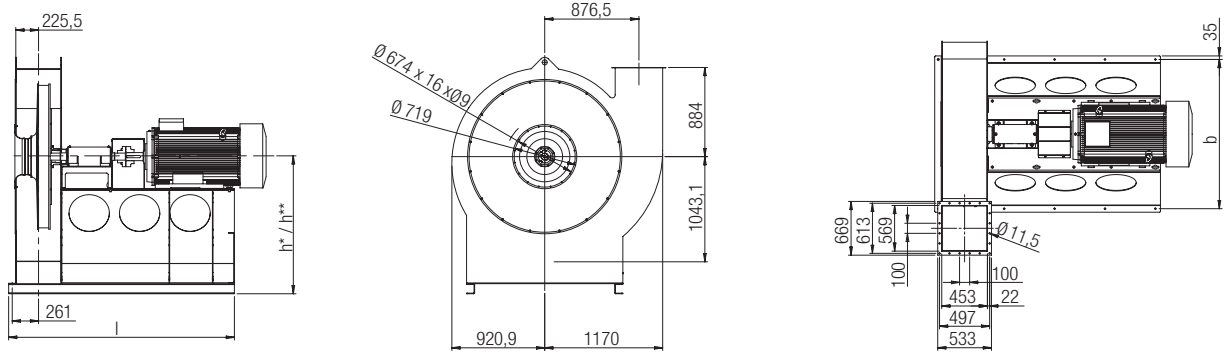
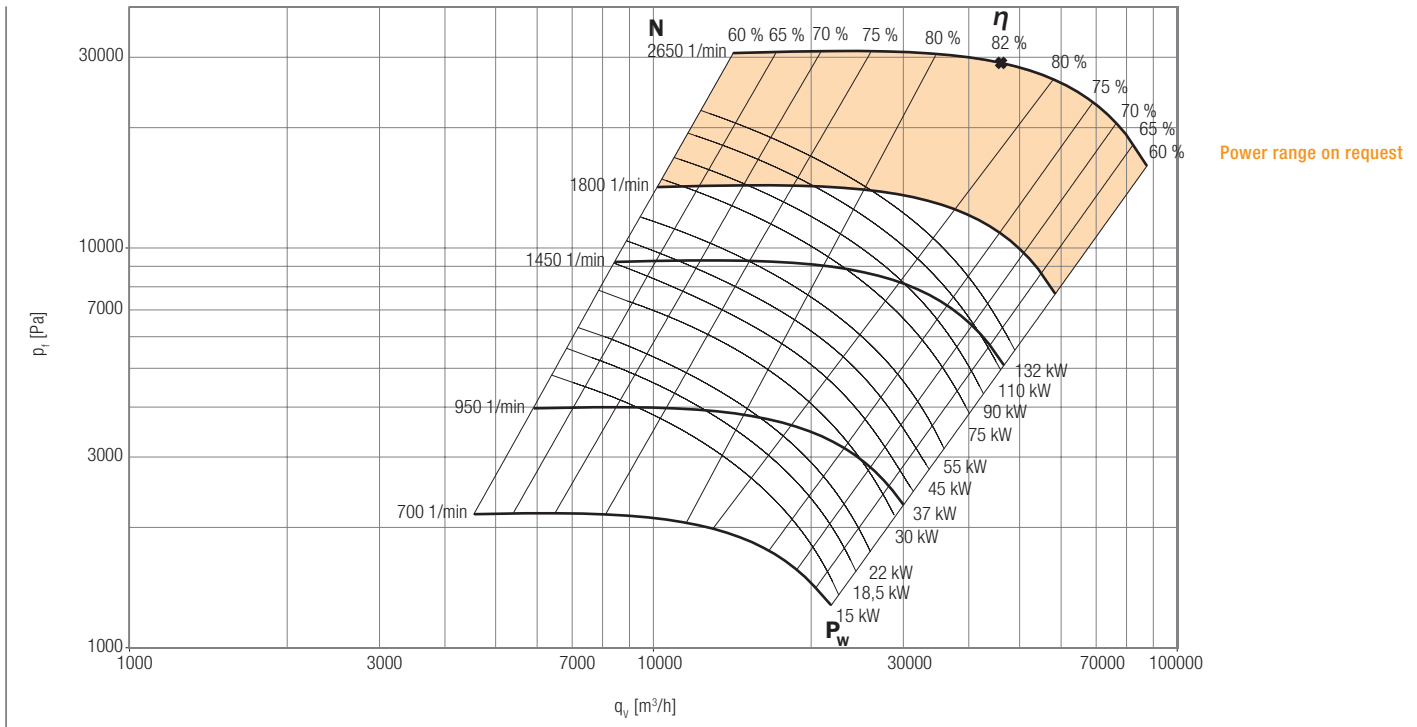
All indicated values for 400V/50Hz/3~.

h\*: Casing position: 0°, 90°

h\*\*: Casing position: 270°

# HREK01-31-1400 Centrifugal fan

Megatec by Polrich DLK



**Z05** Protective grill suction side  
Ord. no. B151088

**Z10** Flexible sleeve round  
Ord. no. B141035

**Z13** Inspection hatch  
Ord. no. B240512

**Z16** Rubber anti vibration mounts (see below)

**Z18** Flange, round  
Ord. no. B101449  
**Z19** Flange, square  
Ord. no. B101223

**Z45** Counter flange  
Ord. no. B101368

**Z63** Transition piece, square to round  
Ord. no. B101493

**Z81** Flexible sleeve square  
Ord. no. B101296

**Z89** Condensate drain  
Ord. no. B240506

Full specifications for accessoires, see page 122

## HREK01-31-1400-B

Order no. Fan	Motor power output [kW]	Speed [1/min]	Voltage [V] Connection	Nominal current [A]	Starting current [A]	Weight ca. [kg]	Order no. Z16	h* / h** [mm]	b [mm]	l [mm]
B110259	75	1480	400/690 Δ/Y	131.0	995.6	1738	B149948	1260/1390	1480	2163
B110260	90	1480	400/690 Δ/Y	157.0	1177.5	1834	B149948	1260/1390	1480	2163
B110261	110	1485	400/690 Δ/Y	191.0	1356.1	2177	B250291	1260/1390	1480	2396
B110262	132	1485	400/690 Δ/Y	228.0	1664.4	2264	B250291	1260/1390	1480	2396
B110263	18.5	980	400/690 Δ/Y	35.7	250.0	1417	B149948	1260/1390	1480	1960
B110264	22	980	400/690 Δ/Y	41.6	290.8	1447	B149948	1260/1390	1480	1960
B110265	30	980	400/690 Δ/Y	56.2	365.4	1515	B149948	1260/1390	1480	2030
B110266	37	980	400/690 Δ/Y	66.9	461.3	1591	B149948	1260/1390	1480	2091
B110267	45	980	400/690 Δ/Y	80.4	563.0	1713	B149948	1260/1390	1480	2163
B110268	55	980	400/690 Δ/Y	96.6	685.9	1768	B149948	1260/1390	1480	2163
B110269	75	985	400/690 Δ/Y	132.1	964.0	2142	B250291	1260/1390	1480	2396
B110270	15	730	400/690 Δ/Y	32.1	211.8	1424	B149948	1260/1390	1480	1940
B110271	18.5	730	400/690 Δ/Y	39.0	257.4	1440	B149948	1260/1390	1480	2010

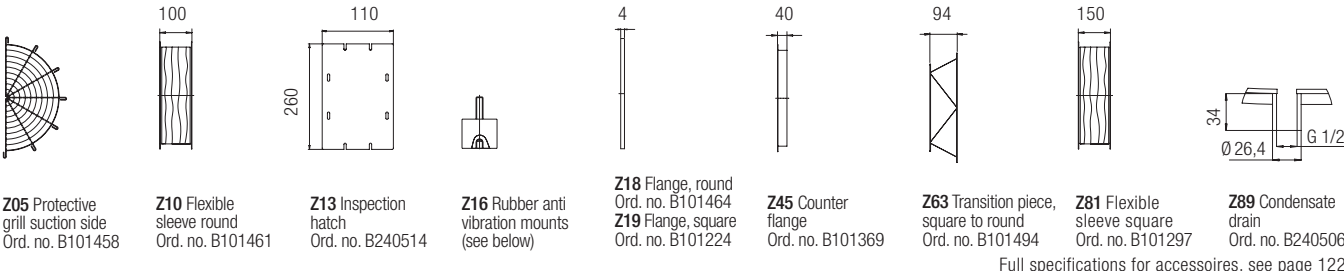
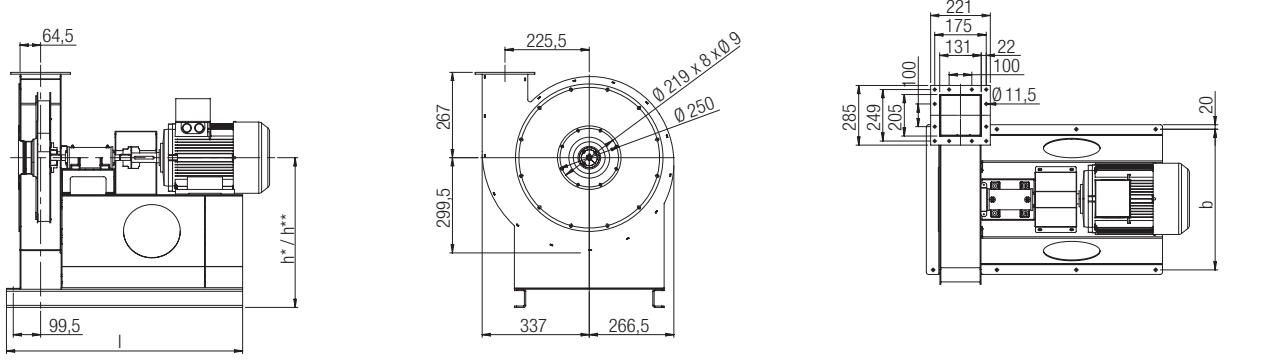
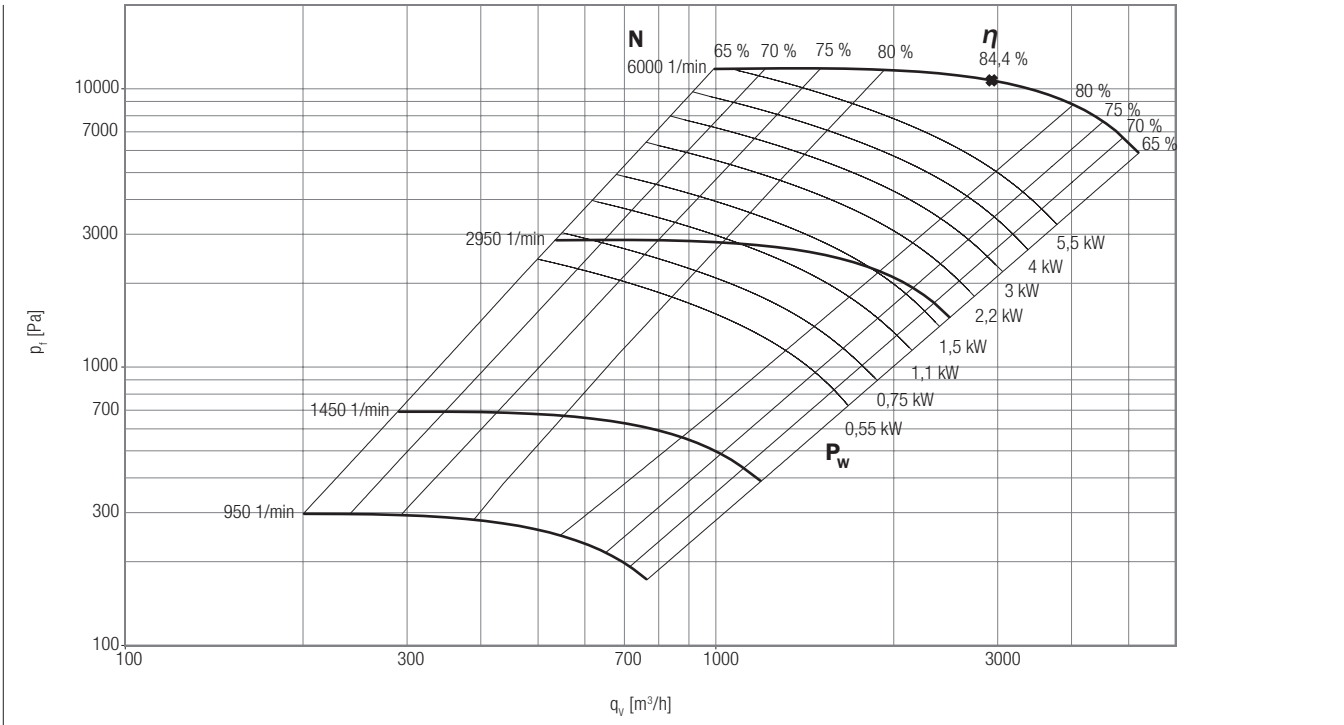
All indicated values for 400V/50Hz/3~.

h\*: Casing position: 0°, 90°

h\*\*: Casing position: 270°

# HREK01-35-0400 Centrifugal fan

Megatec by Pollrich DLK



## HREK01-35-0400-B

Order no. Fan	Motor power output [kW]	Speed [1/min]	Voltage [V] Connection	Nominal current [A]	Starting current [A]	Weight ca. [kg]	Order no. Z16	$h^*/h^{**}$ [mm]	b [mm]	l [mm]
B110272	1.5	2890	230/400 $\Delta/Y$	3.2	22.4	130	B149380	500/540	460	1107
B110273	2.2	2890	230/400 $\Delta/Y$	4.5	30.9	135	B149380	500/540	460	1107
B110274	3	2891	230/400 $\Delta/Y$	5.9	46.9	142	B149380	500/540	460	997
B110275	4	2914	400/690 $\Delta/Y$	7.6	57.3	145	B149380	500/540	460	997
B110276	5.5	2937	400/690 $\Delta/Y$	10.6	79.5	162	B149380	500/540	460	1017
B110277	0.55	1390	230/400 $\Delta/Y$	1.5	1.4	125	B149380	500/540	460	977
B110278	0.75	1400	230/400 $\Delta/Y$	1.8	8.9	127	B149380	500/540	460	977
B110279	1.1	1440	230/400 $\Delta/Y$	2.5	15.2	131	B149380	500/540	460	987
B110280	1.5	1445	230/400 $\Delta/Y$	3.4	23.1	134	B149380	500/540	460	987

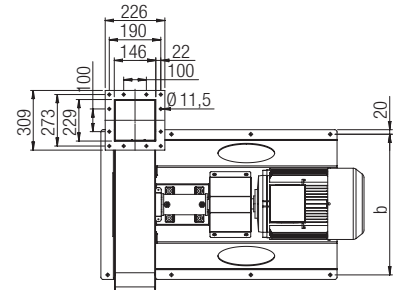
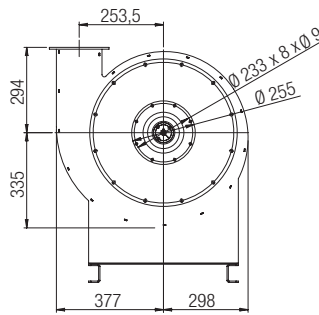
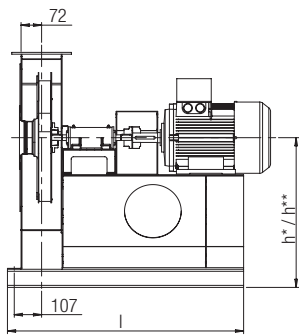
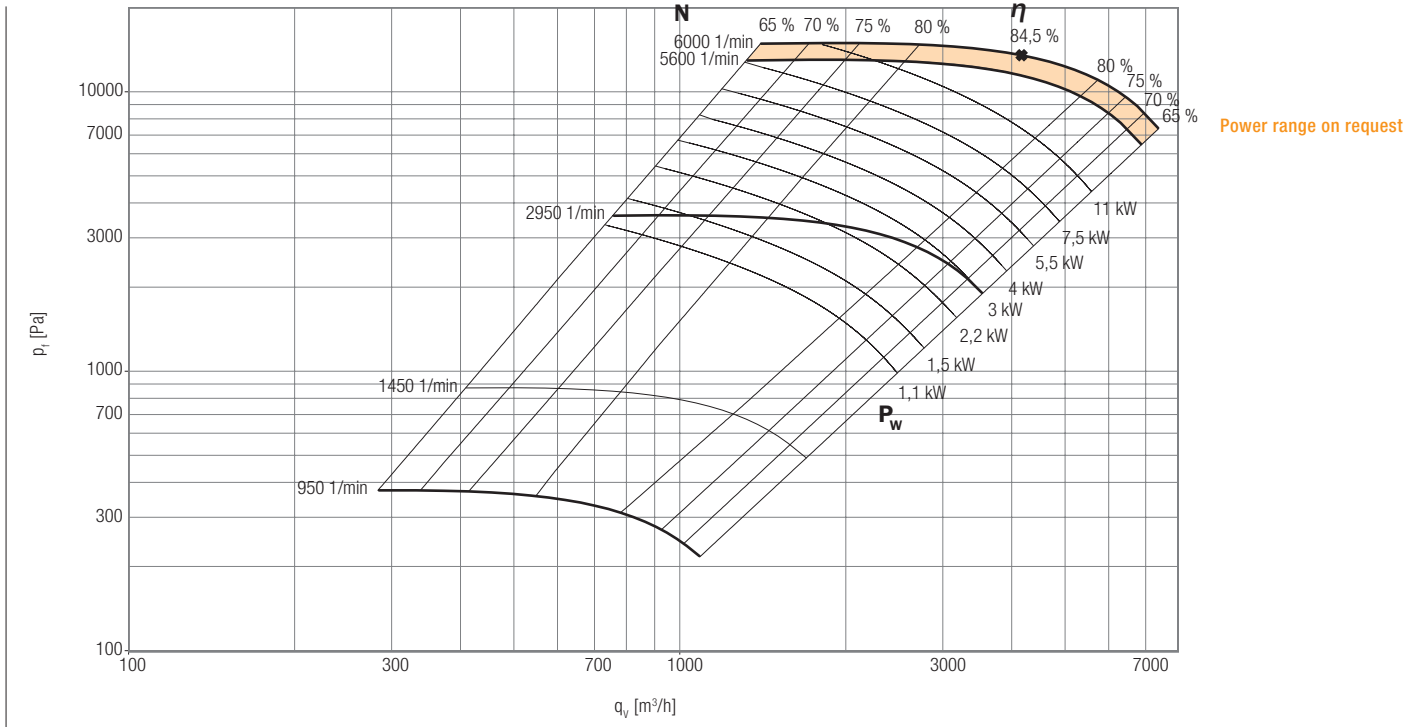
All indicated values for 400V/50Hz/3~.

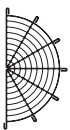
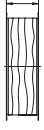
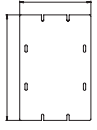






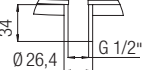
$h^*$ : Casing position: 0°, 90°     $h^{**}$ : Casing position: 270°



# HREK01-35-0450 Centrifugal fan

Megatec by Poltrich DLK



-   
**Z05** Protective grill suction side  
 Ord. no. B101459
  -   
**Z10** Flexible sleeve round  
 Ord. no. B101462
  -   
**Z13** Inspection hatch  
 Ord. no. B240514
  -   
**Z16** Rubber anti vibration mounts (see below)
  -   
**Z18** Flange, round  
 Ord. no. B101465
  -   
**Z19** Flange, square  
 Ord. no. B101225
  -   
**Z45** Counter flange  
 Ord. no. B101370
  -   
**Z63** Transition piece, square to round  
 Ord. no. B101495
  -   
**Z81** Flexible sleeve square  
 Ord. no. B101298
  -   
**Z89** Condensate drain  
 Ord. no. B240506
- Full specifications for accessoires, see page 122

## HREK01-35-0450-B

Order no. Fan	Motor power output [kW]	Speed [1/min]	Voltage [V] Connection	Nominal current [A]	Starting current [A]	Weight ca. [kg]	Order no. Z16	h* / h** [mm]	b [mm]	l [mm]
B110281	3	2891	230/400 Δ/Y	5.9	46.9	155	B149380	540/580	510	1112
B110282	4	2914	400/690 Δ/Y	7.6	57.3	158	B149380	540/580	510	1112
B110283	5.5	2937	400/690 Δ/Y	10.6	79.5	175	B149380	540/580	510	1259
B110284	7.5	2940	400/690 Δ/Y	13.9	104.3	180	B149380	540/580	510	1259
B110285	11	2930	400/690 Δ/Y	19.9	15.2	223	B128059	540/580	510	1289
B110286	1.1	1440	230/400 Δ/Y	2.5	15.2	144	B149380	540/580	510	1102
B110287	1.5	1445	230/400 Δ/Y	3.4	23.1	147	B149380	540/580	510	1102
B110288	2.2	1440	230/400 Δ/Y	4.6	32.5	157	B149380	540/580	510	1112
B110289	3	1440	230/400 Δ/Y	6.2	43.3	163	B149380	540/580	510	1112

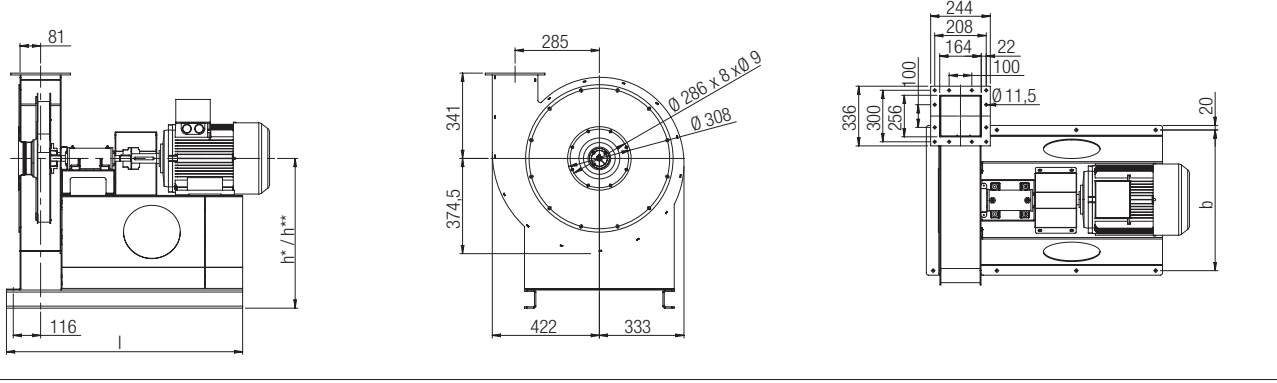
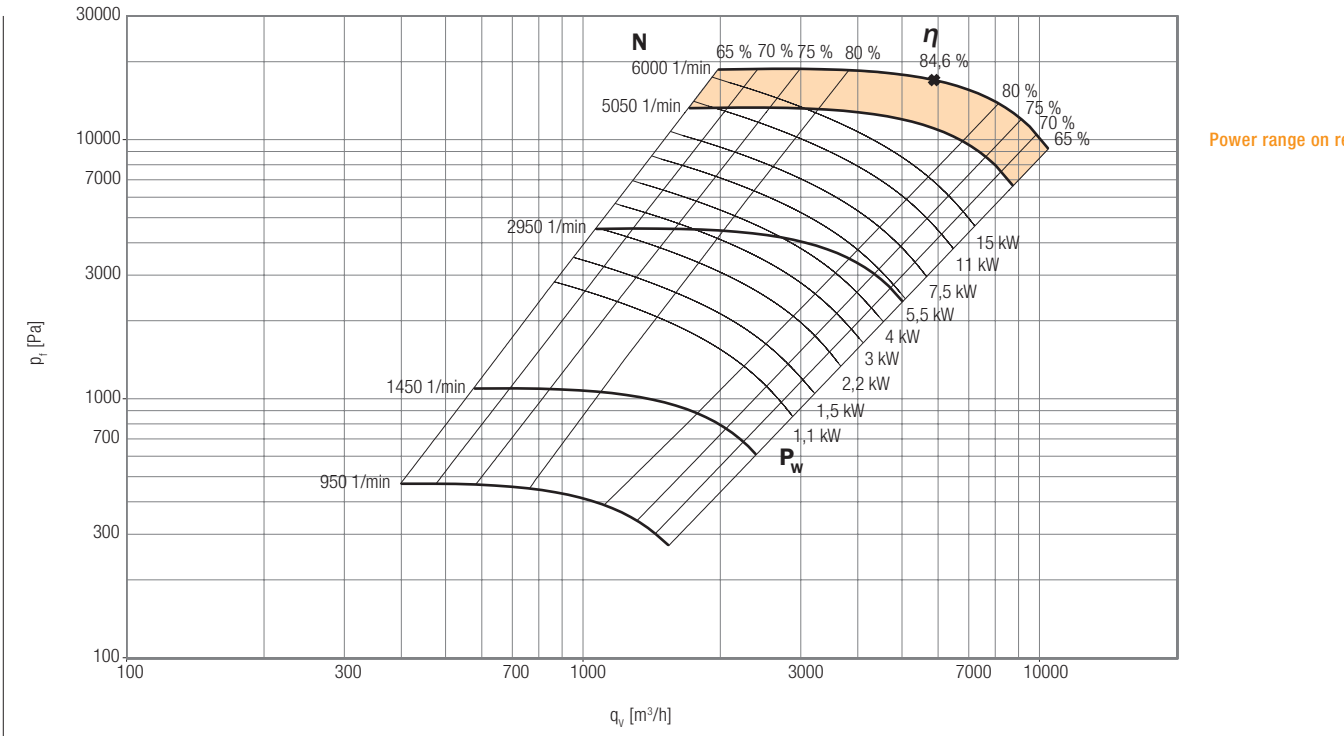
All indicated values for 400V/50Hz/3~.

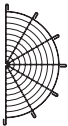

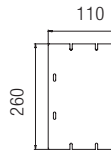





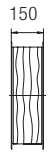

h\*: Casing position: 0°, 90°

h\*\*: Casing position: 270°

# HREK01-35-0500 Centrifugal fan

Megatec by Pollrich DLK



-   
**Z05** Protective grill suction side  
 Ord. no. B151080
  -   
**Z10** Flexible sleeve round  
 Ord. no. B140894
  -   
**Z13** Inspection hatch  
 Ord. no. B240514
  -   
**Z16** Rubber anti vibration mounts (see below)
  -   
**Z18** Flange, round  
 Ord. no. B101441
  -   
**Z19** Flange, square  
 Ord. no. B101226
  -   
**Z45** Counter flange  
 Ord. no. B101371
  -   
**Z63** Transition piece, square to round  
 Ord. no. B101496
  -   
**Z81** Flexible sleeve square  
 Ord. no. B101299
  -   
**Z89** Condensate drain  
 Ord. no. B240506
- Full specifications for accessoires, see page 122

## HREK01-35-0500-B

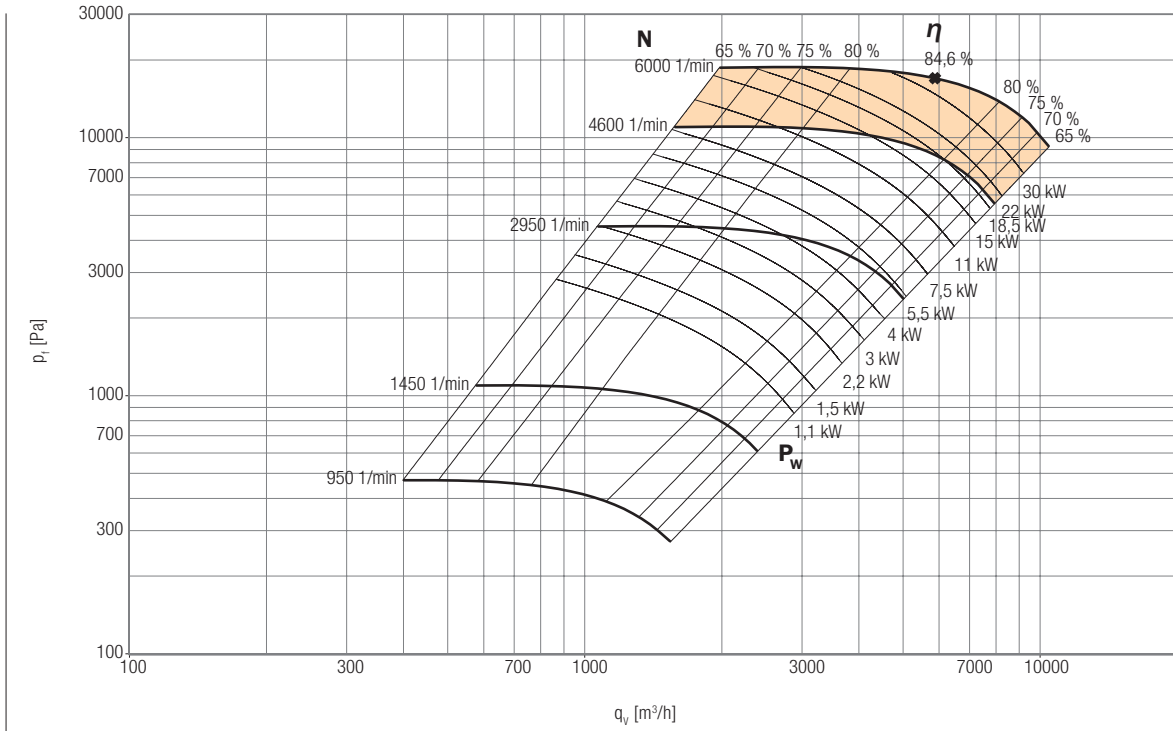
Order no. Fan	Motor power output [kW]	Speed [1/min]	Voltage [V] Connection	Nominal current [A]	Starting current [A]	Weight ca. [kg]	Order no. Z16	h* / h** [mm]	b [mm]	l [mm]
B110290	5.5	2937	400/690 Δ/Y	10.6	79.5	190	B149380	580/625	560	1320
B110291	7.5	2940	400/690 Δ/Y	13.9	104.3	195	B149380	580/625	560	1320
B110292	11	2930	400/690 Δ/Y	19.9	151.2	238	B128059	580/625	560	1350
B110293	15	2930	400/690 Δ/Y	26.6	204.4	264	B128059	580/625	560	1350
B110294	1.1	1440	230/400 Δ/Y	2.5	15.2	159	B149380	580/625	560	1070
B110295	1.5	1445	230/400 Δ/Y	3.4	23.1	162	B149380	580/625	560	1070
B110296	2.2	1440	230/400 Δ/Y	4.6	32.5	172	B149380	580/625	560	1080
B110297	3	1440	230/400 Δ/Y	6.2	43.3	178	B149380	580/625	560	1080
B110298	4	1445	400/690 Δ/Y	8.1	60.9	183	B149380	580/625	560	1080
B110299	5.5	1455	400/690 Δ/Y	10.9	69.8	195	B149380	580/625	560	1320

All indicated values for 400V/50Hz/3~.

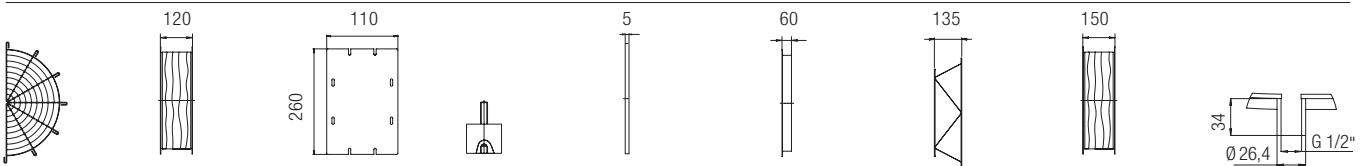
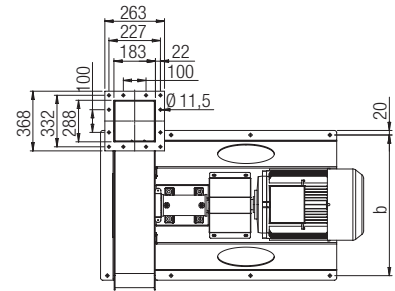
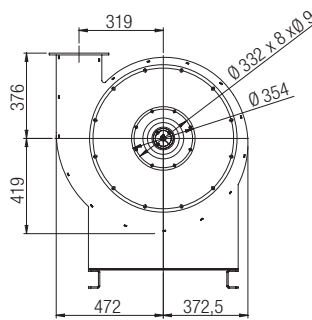
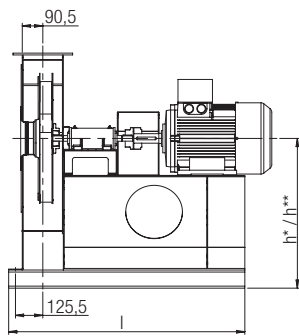
h\*: Casing position: 0°, 90°    h\*\*: Casing position: 270°

# HREK01-35-0560 Centrifugal fan

Megatec by Polrich DLK



Power range on request



**Z05** Protective grill suction side  
Ord. no. B151078

**Z10** Flexible sleeve round  
Ord. no. B141027

**Z13** Inspection hatch  
Ord. no. B240509

**Z16** Rubber anti vibration mounts  
(see below)

**Z18** Flange, round  
Ord. no. B101442  
**Z19** Flange, square  
Ord. no. B101227

**Z45** Counter flange  
Ord. no. B101372

**Z63** Transition piece, square to round  
Ord. no. B101497

**Z81** Flexible sleeve square  
Ord. no. B101300

**Z89** Condensate drain  
Ord. no. B240506

HREK01-35-0560-B

Full specifications for accessoires, see page 122

Order no. Fan	Motor power output [kW]	Speed [1/min]	Voltage [V] Connection	Nominal current [A]	Starting current [A]	Weight ca. [kg]	Order no. Z16	h* / h** [mm]	b [mm]	l [mm]
B110300	7.5	2940	400/690 Δ/Y	13.9	104.3	215	B128059	620/680	620	1169
B110301	11	2930	400/690 Δ/Y	19.9	151.2	258	B128059	620/680	620	1369
B110302	15	2930	400/690 Δ/Y	26.6	204.4	284	B128059	620/680	620	1369
B110303	18.5	2937	400/690 Δ/Y	33.0	244.2	314	B149928	620/680	620	1369
B110304	22	2940	400/690 Δ/Y	38.1	308.1	350	B149928	620/680	620	1369
B110305	30	2950	400/690 Δ/Y	53.4	416.5	407	B149928	620/680	620	1369
B110306	1.1	1440	230/400 Δ/Y	2.5	15.2	179	B149380	620/680	620	1139
B110307	1.5	1445	230/400 Δ/Y	3.4	23.1	182	B149380	620/680	620	1139
B110308	2.2	1440	230/400 Δ/Y	4.6	35.5	192	B149380	620/680	620	1149
B110309	3	1440	230/400 Δ/Y	6.2	43.3	198	B149380	620/680	620	1149
B110310	4	1445	400/690 Δ/Y	8.1	40.9	203	B149380	620/680	620	1149
B110311	5.5	1455	400/690 Δ/Y	10.9	69.8	215	B128059	620/680	620	1169
B110312	7.5	1455	400/690 Δ/Y	14.5	101.5	226	B128059	620/680	620	1169

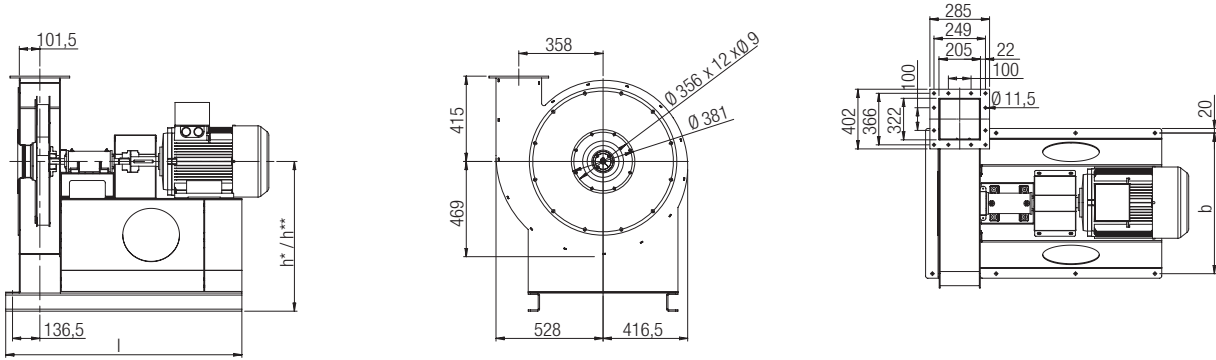
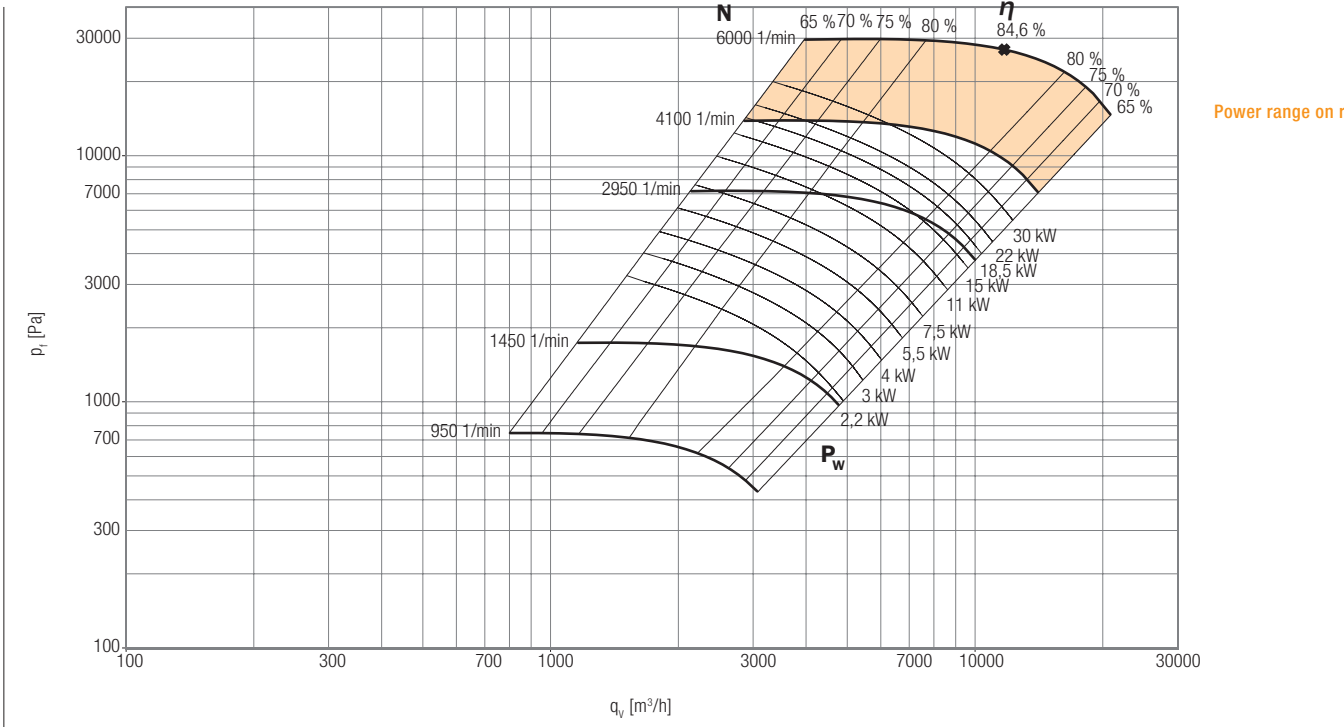
All indicated values for 400V/50Hz/3~.

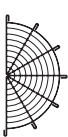

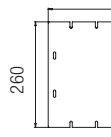





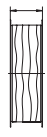

h\*: Casing position: 0°, 90°

h\*\*: Casing position: 270°

# HREK01-35-0630 Centrifugal fan

Megatec by Pollrich DLK



-   
**Z05** Protective grill suction side  
 Ord. no. B151076
  -   
**Z10** Flexible sleeve round  
 Ord. no. B141028
  -   
**Z13** Inspection hatch  
 Ord. no. B240509
  -   
**Z16** Rubber anti vibration mounts  
 (see below)
  -   
**Z18** Flange, round  
 Ord. no. B101443
  -   
**Z19** Flange, square  
 Ord. no. B101228
  -   
**Z45** Counter flange  
 Ord. no. B101373
  -   
**Z63** Transition piece, square to round  
 Ord. no. B101498
  -   
**Z81** Flexible sleeve square  
 Ord. no. B101301
  -   
**Z89** Condensate drain  
 Ord. no. B240506
- Full specifications for accessories, see page 122

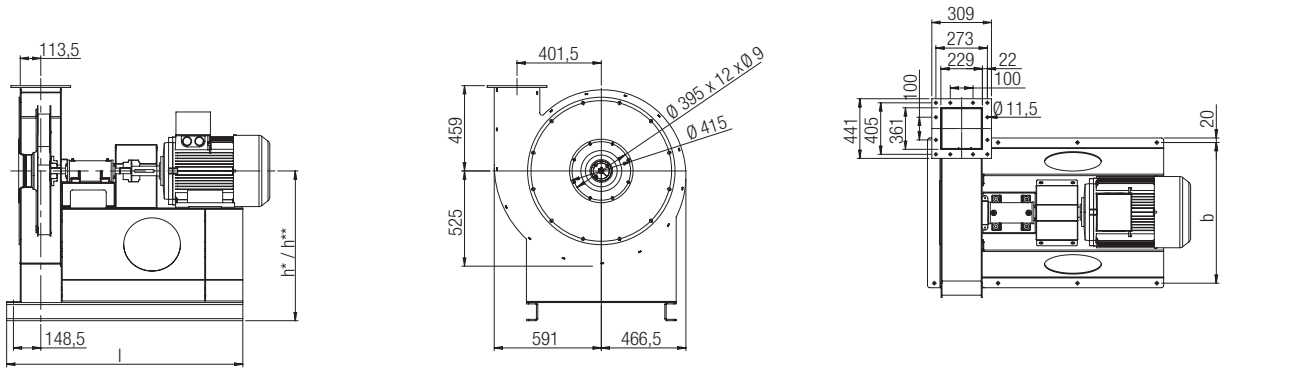
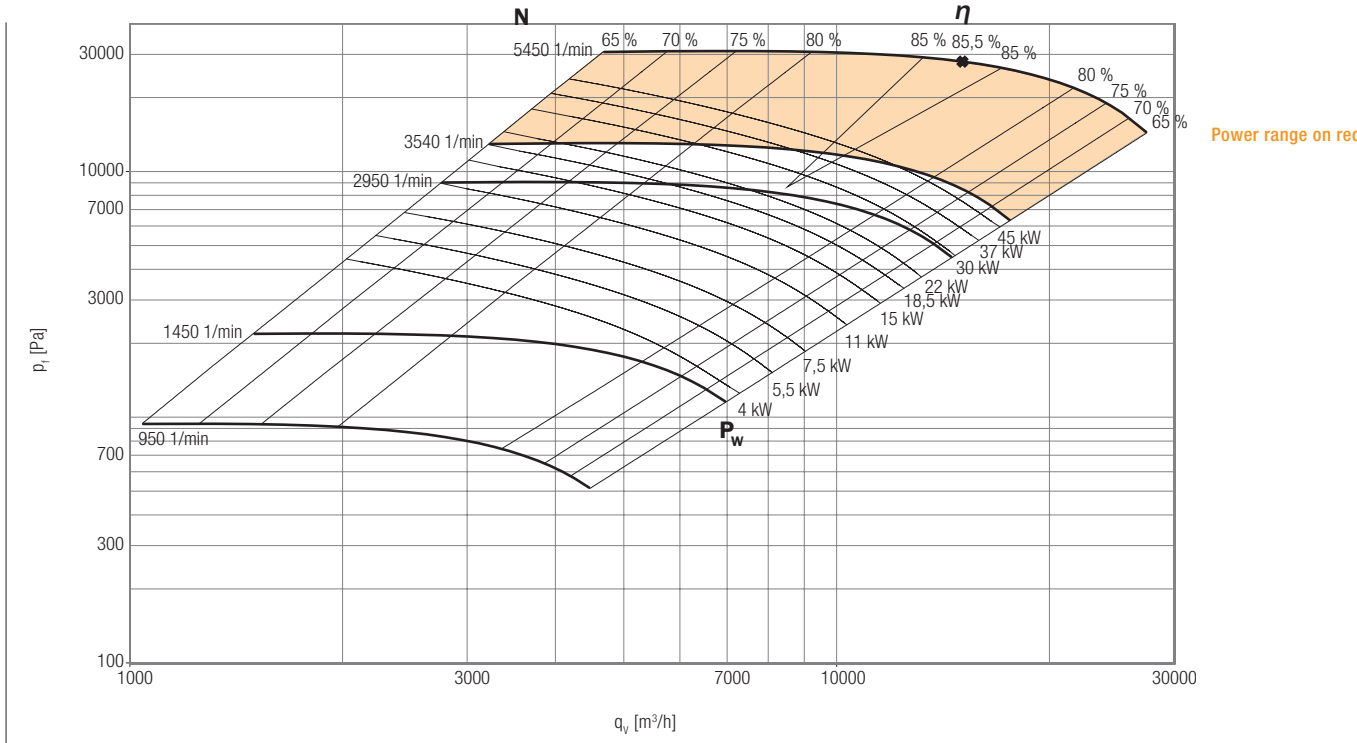
**HREK01-35-0630-B**

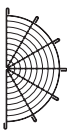

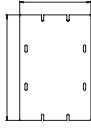
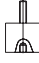

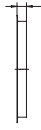




Order no. Fan	Motor power output [kW]	Speed [1/min]	Voltage [V] Connection	Nominal current [A]	Starting current [A]	Weight ca. [kg]	Order no. Z16	h* / h** [mm]	b [mm]	l [mm]
B110314	15	2930	400/690 Δ/Y	26.6	204.4	319	B149928	670/730	690	1434
B110315	18.5	2937	400/690 Δ/Y	33.0	244.2	349	B149928	670/730	690	1434
B110316	22	2940	400/690 Δ/Y	38.1	308.1	385	B149928	670/730	690	1434
B110317	30	2950	400/690 Δ/Y	53.4	416.5	442	B149928	670/730	690	1434
B110318	2.2	1440	230/400 Δ/Y	4.6	32.5	220	B128059	670/730	690	1286
B110319	3	1440	230/400 Δ/Y	6.2	43.3	226	B128059	670/730	690	1286
B110320	4	1445	400/690 Δ/Y	8.1	60.9	231	B128059	670/730	690	1286
B110321	5.5	1455	400/690 Δ/Y	10.9	69.8	243	B128059	670/730	690	1306
B110322	7.5	1455	400/690 Δ/Y	14.5	69.8	256	B128059	670/730	690	1316
B110323	11	1460	400/690 Δ/Y	22.1	152.5	330	B149928	670/730	690	1379
B110324	15	1460	400/690 Δ/Y	29.6	222.0	307	B149928	670/730	690	1379

All indicated values for 400V/50Hz/3~. h\*: Casing position: 0°, 90° h\*\*: Casing position: 270°

# HREK01-35-0710 Centrifugal fan

Megatec by Poltrich DLK



-   
**Z05** Protective grill suction side  
 Ord. no. B151074
  -   
**Z10** Flexible sleeve round  
 Ord. no. B141032
  -   
**Z13** Inspection hatch  
 Ord. no. B240509
  -   
**Z16** Rubber anti vibration mounts (see below)
  -   
**Z18** Flange, round  
 Ord. no. B101444
  -   
**Z19** Flange, square  
 Ord. no. B101229
  -   
**Z45** Counter flange  
 Ord. no. B101407
  -   
**Z63** Transition piece, square to round  
 Ord. no. B101499
  -   
**Z81** Flexible sleeve square  
 Ord. no. B101302
  -   
**Z89** Condensate drain  
 Ord. no. B240506
- Full specifications for accessoires, see page 122

## HREK01-35-0710-B

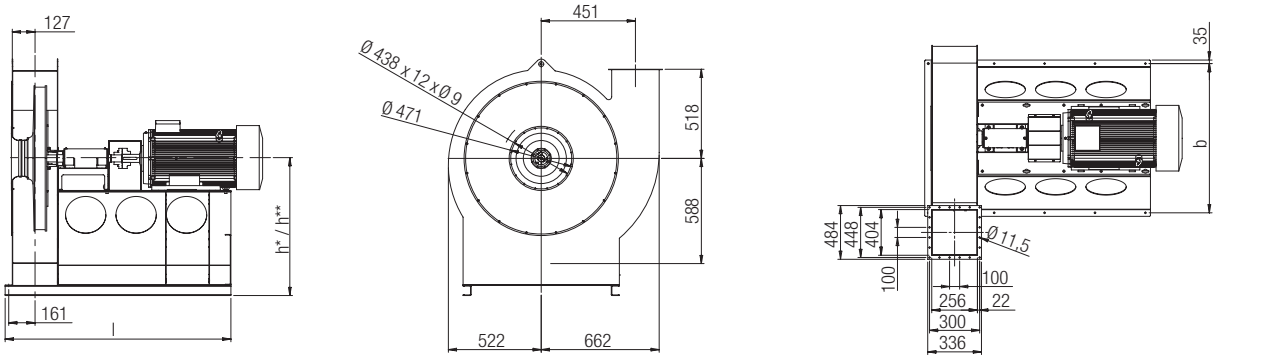
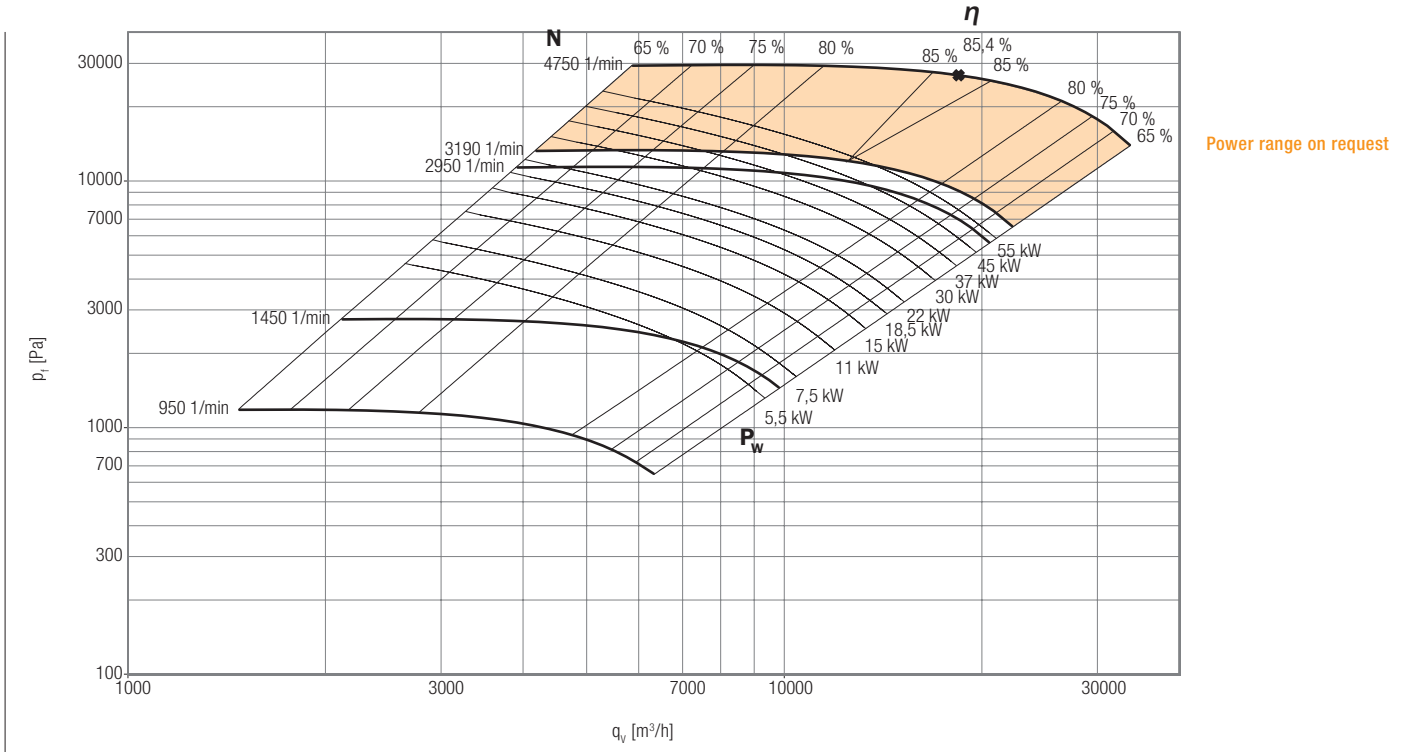
Order no. Fan	Motor power output [kW]	Speed [1/min]	Voltage [V] Connection	Nominal current [A]	Starting current [A]	Weight ca. [kg]	Order no. Z16	h* / h** [mm]	b [mm]	l [mm]
B110325	30	2950	400/690 Δ/Y	53.4	416.5	480	B149937	725/790	770	1565
B110326	37	2950	400/690 Δ/Y	63.5	499.0	481	B149937	725/790	770	1565
B110327	45	2960	400/690 Δ/Y	76.9	588.0	565	B149937	725/790	770	1595
B110328	4	1445	400/690 Δ/Y	8.12	60.9	275	B128059	725/790	770	1375
B110329	5.5	1455	400/690 Δ/Y	10.9	69.8	287	B128059	725/790	770	1395
B110330	7.5	1455	400/690 Δ/Y	14.5	69.8	298	B128059	725/790	770	1395
B110331	11	1460	400/690 Δ/Y	22.1	144.9	372	B149928	725/790	770	1425
B110332	15	1460	400/690 Δ/Y	29.6	210.8	349	B149928	725/790	770	1425
B110333	18.5	1470	400/690 Δ/Y	32.7	265.2	405	B149928	725/790	770	1570
B110334	22	1470	400/690 Δ/Y	38.4	301.5	422	B149928	725/790	770	1570

All indicated values for 400V/50Hz/3~.

h\*: Casing position: 0°, 90° h\*\*: Casing position: 270°

# HREK01-35-0800 Centrifugal fan

Megatec by Pollrich DLK



- Z05** Protective grill suction side  
Ord. no. B151061
  - Z10** Flexible sleeve round  
Ord. no. B141030
  - Z13** Inspection hatch  
Ord. no. B240509
  - Z16** Rubber anti vibration mounts (see below)
  - Z18** Flange, round  
Ord. no. B101445
  - Z19** Flange, square  
Ord. no. B101230
  - Z45** Counter flange  
Ord. no. B101375
  - Z63** Transition piece, square to round  
Ord. no. B101500
  - Z81** Flexible sleeve square  
Ord. no. B101303
  - Z89** Condensate drain  
Ord. no. B240506
- Full specifications for accessories, see page 122

## HREK01-35-0800-B

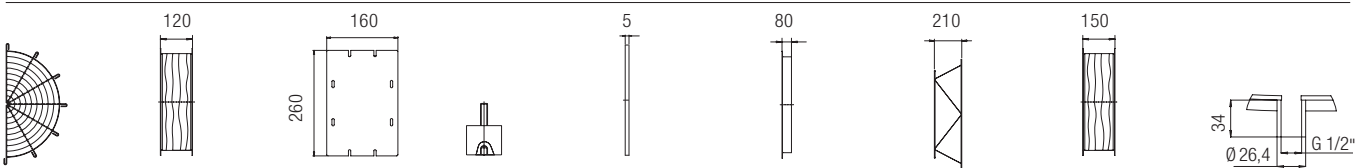
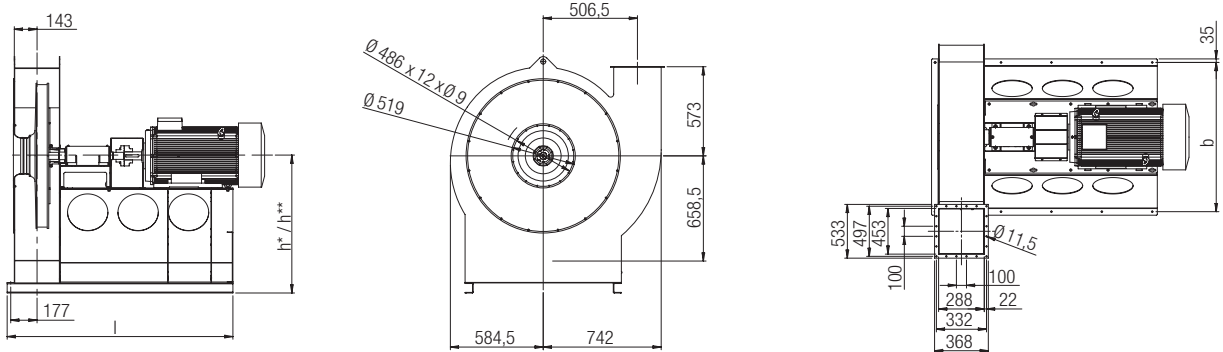
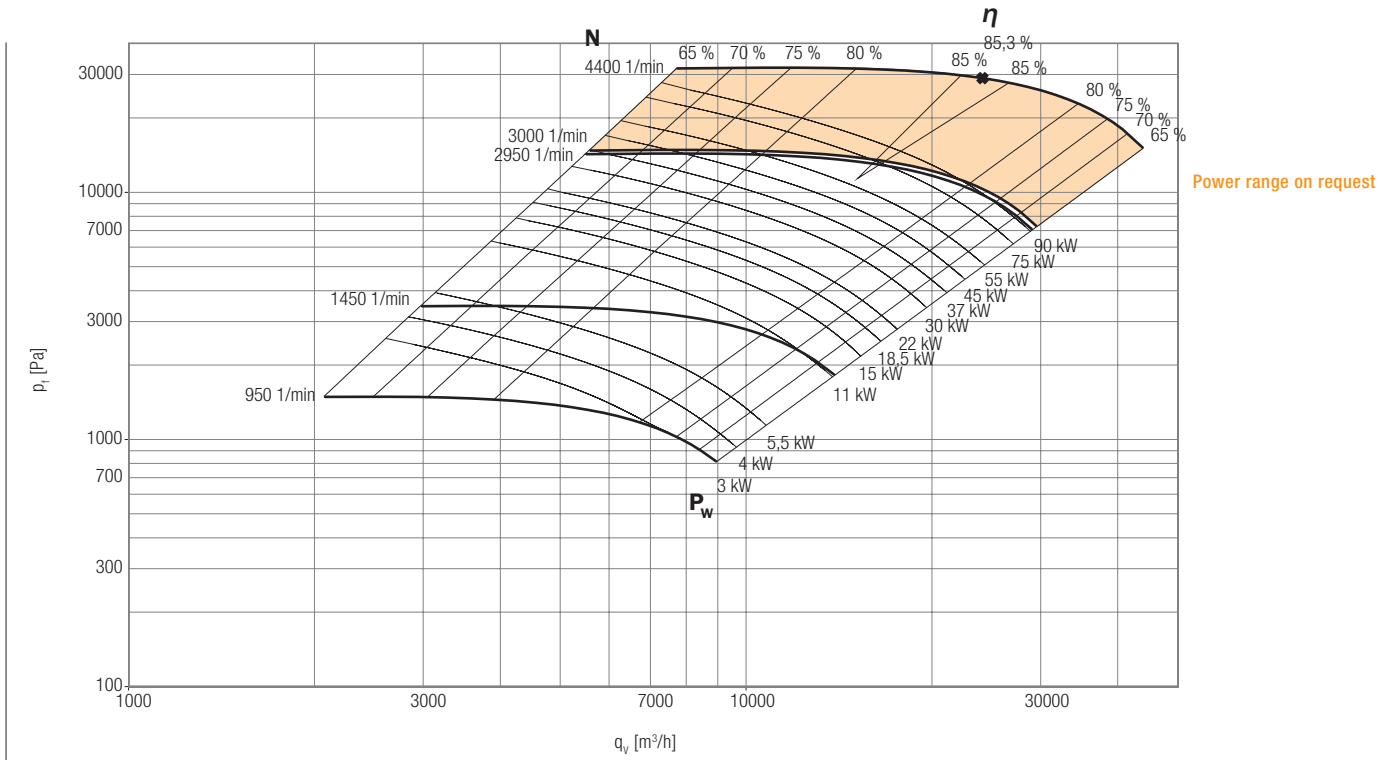
Order no. Fan	Motor power output [kW]	Speed [1/min]	Voltage [V] Connection	Nominal current [A]	Starting current [A]	Weight ca. [kg]	Order no. Z16	h* / h** [mm]	b [mm]	l [mm]
B110335	45	2960	400/690 Δ/Y	76.9	588.0	627	B149937	810/885	880	1680
B110336	55	2965	400/690 Δ/Y	93.6	671.0	685	B149937	810/885	880	1680
B110337	5.5	1455	400/690 Δ/Y	10.9	69.8	340	B128059	810/885	880	1261
B110338	7.5	1455	400/690 Δ/Y	14.5	69.8	351	B128059	810/885	880	1261
B110339	11	1460	400/690 Δ/Y	22.1	144.9	425	B149928	810/885	880	1443
B110340	15	1460	400/690 Δ/Y	29.6	210.8	402	B149928	810/885	880	1443
B110341	18.5	1470	400/690 Δ/Y	32.7	265.2	458	B149928	810/885	880	1479
B110342	22	1470	400/690 Δ/Y	38.4	301.5	475	B149928	810/885	880	1479
B110343	30	1470	400/690 Δ/Y	54.4	386.2	561	B149928	810/885	880	1570
B110344	37	1480	400/690 Δ/Y	66.2	496.5	603	B149937	810/885	880	1640
B110345	45	1480	400/690 Δ/Y	80.1	608.8	633	B149937	810/885	880	1640

All indicated values for 400V/50Hz/3~.

h\*: Casing position: 0°, 90° h\*\*: Casing position: 270°

# HREK01-35-0900 Centrifugal fan

Megatec by Poltrich DLK



**Z05** Protective grill suction side  
Ord. no. B151081

**Z10** Flexible sleeve round  
Ord. no. B141031

**Z13** Inspection hatch  
Ord. no. B240509

**Z16** Rubber anti vibration mounts (see below)

**Z18** Flange, round  
Ord. no. B101446

**Z19** Flange, square  
Ord. no. B101231

**Z45** Counter flange  
Ord. no. B101376

**Z63** Transition piece, square to round  
Ord. no. B101501

**Z81** Flexible sleeve square  
Ord. no. B101304

**Z89** Condensate drain  
Ord. no. B240506

Full specifications for accessoires, see page 122

## HREK01-35-0900-B

Order no. Fan	Motor power output [kW]	Speed [1/min]	Voltage [V] Connection	Nominal current [A]	Starting current [A]	Weight ca. [kg]	Order no. Z16	h* / h** [mm]	b [mm]	l [mm]
B110346	75	2970	400/690 Δ/Y	127.0	947.2	901	B149937	880/965	980	1898
B110347	90	2970	400/690 Δ/Y	150.0	1155.2	946	B149937	880/965	980	1898
B110348	11	1460	400/690 Δ/Y	22.1	144.9	507	B149928	880/965	980	1511
B110349	15	1460	400/690 Δ/Y	29.6	210.8	484	B149928	880/965	980	1511
B110350	18.5	1470	400/690 Δ/Y	32.7	265.2	540	B149928	880/965	980	1547
B110351	22	1470	400/690 Δ/Y	38.4	301.5	557	B149928	880/965	980	1547
B110352	30	1470	400/690 Δ/Y	54.4	386.2	643	B149937	880/965	980	1638
B110353	37	1480	400/690 Δ/Y	66.2	496.5	685	B149937	880/965	980	1705
B110354	45	1480	400/690 Δ/Y	80.1	608.8	724	B149937	880/965	980	1705
B110355	55	1480	400/690 Δ/Y	96.7	711.8	771	B149937	880/965	980	1766
B110357	3	964	230/400 Δ/Y	6.8	30.7	413	B149937	880/965	980	1329
B110358	4	965	400/690 Δ/Y	9.0	44.8	422	B149928	880/965	980	1329
B110359	5.50	965	400/690 Δ/Y	12.0	66.0	433	B149928	880/965	980	1329

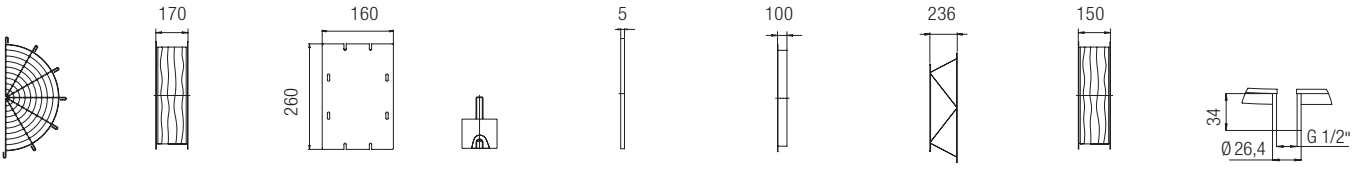
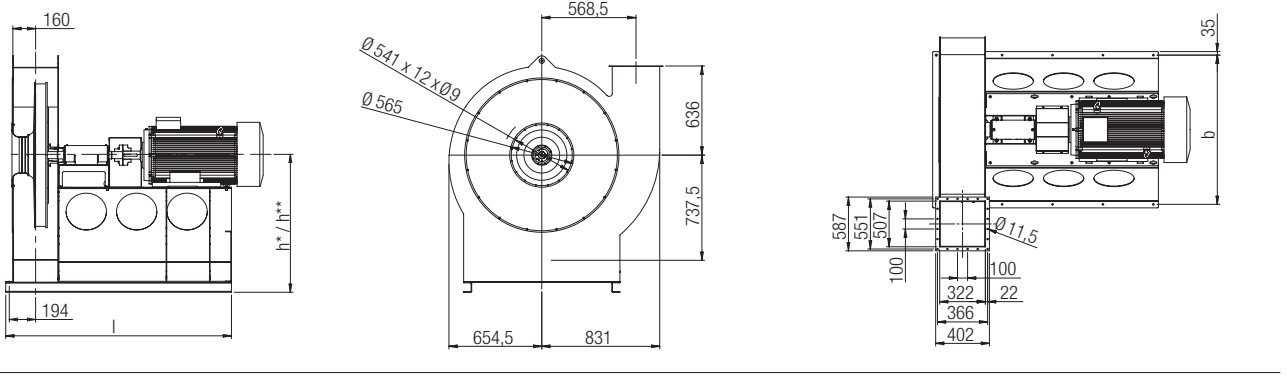
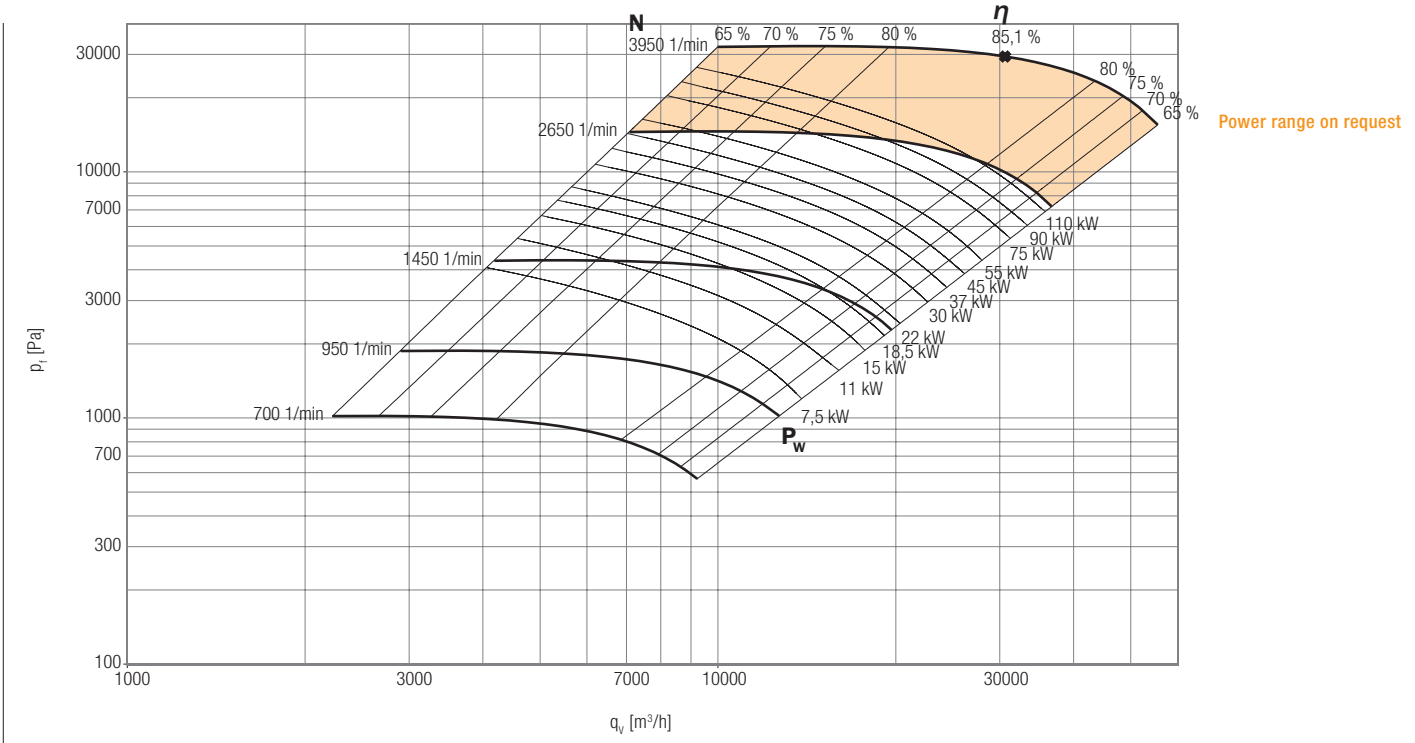
All indicated values for 400V/50Hz/3-.

h\*: Casing position: 0°, 90°

h\*\*: Casing position: 270°

# HREK01-35-1000 Centrifugal fan

Megatec by Pollrich DLK



- Z05** Protective grill suction side  
Ord. no. B151068
- Z10** Flexible sleeve round  
Ord. no. B141032
- Z13** Inspection hatch  
Ord. no. B240512
- Z16** Rubber anti vibration mounts (see below)
- Z18** Flange, round  
Ord. no. B101447
- Z19** Flange, square  
Ord. no. B101232
- Z45** Counter flange  
Ord. no. B101377
- Z63** Transition piece, square to round  
Ord. no. B101502
- Z81** Flexible sleeve square  
Ord. no. B101305
- Z89** Condensate drain  
Ord. no. B240506

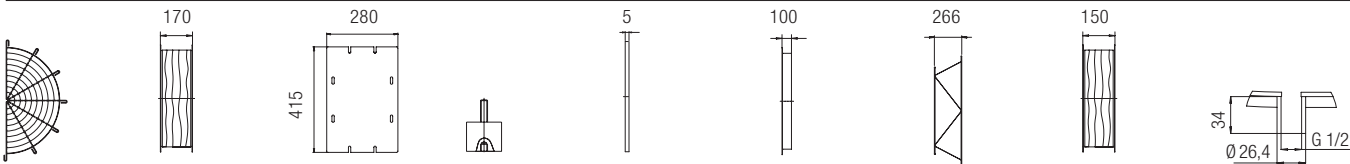
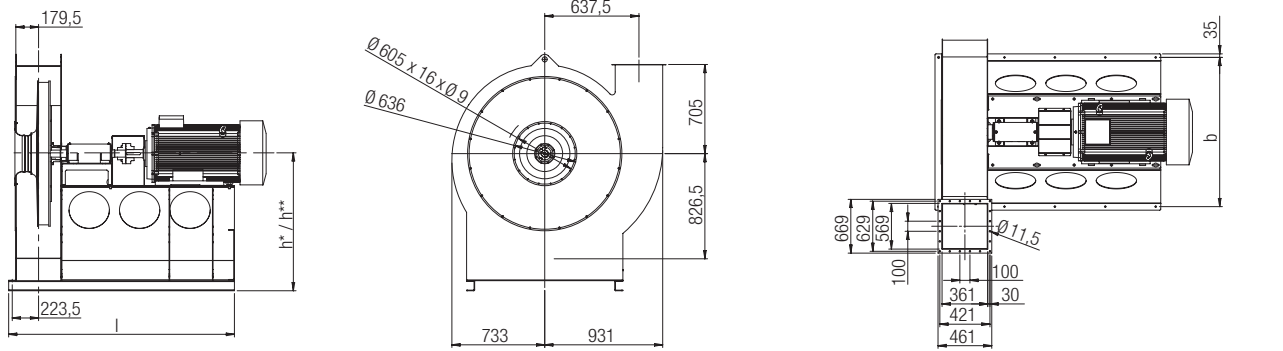
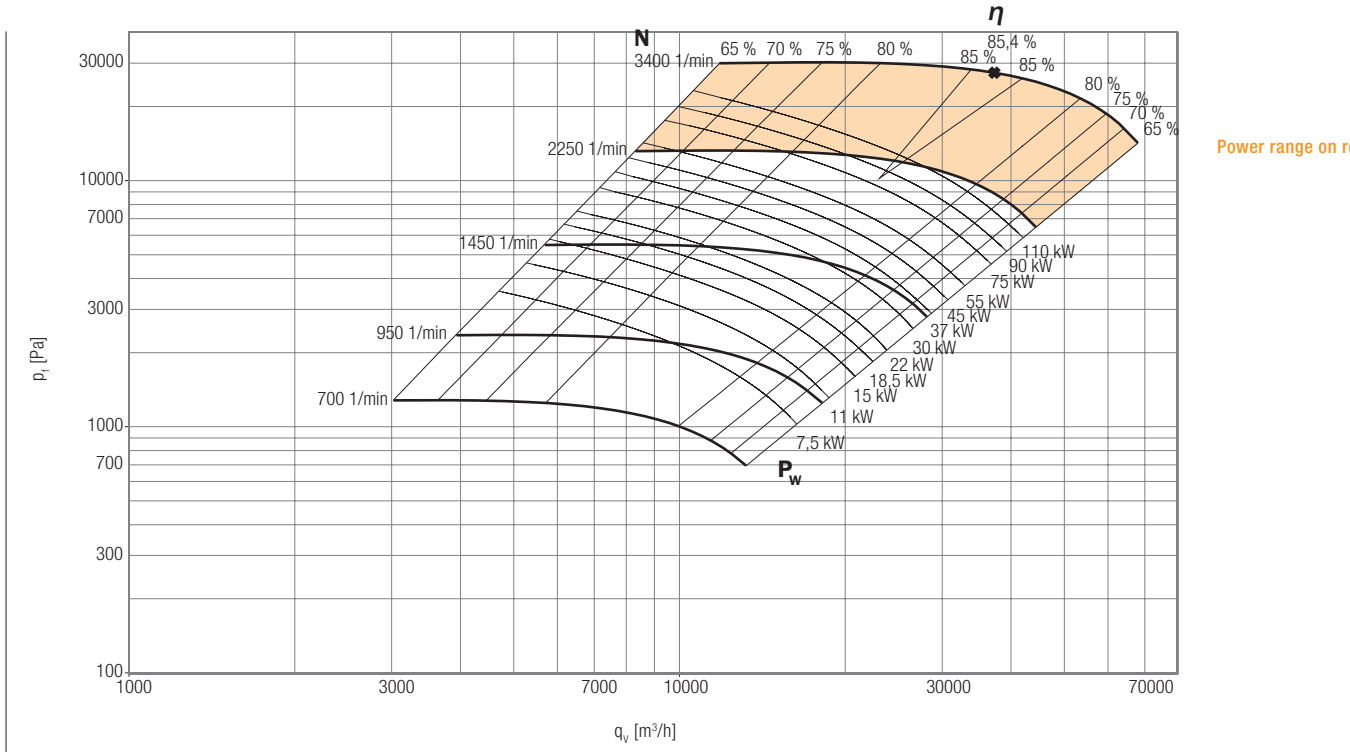
HREK01-35-1000-B Full specifications for accessoires, see page 122

Order no. Fan	Motor power output [kW]	Speed [1/min]	Voltage [V] Connection	Nominal current [A]	Starting current [A]	Weight ca. [kg]	Order no. Z16	h* / h** [mm]	b [mm]	l [mm]
B110362	15	1460	400/690 Δ/Y	29.6	222.0	586	B149928	960/1050	1080	1545
B110363	18.5	1470	400/690 Δ/Y	32.7	255.3	642	B149937	960/1050	1080	1581
B110364	22	1470	400/690 Δ/Y	38.4	288.2	659	B149937	960/1050	1080	1581
B110365	30	1470	400/690 Δ/Y	54.4	386.2	745	B149937	960/1050	1080	1672
B110366	37	1480	400/690 Δ/Y	66.2	496.5	787	B149937	960/1050	1080	1742
B110367	45	1480	400/690 Δ/Y	80.1	608.8	817	B149937	960/1050	1080	1742
B110368	55	1480	400/690 Δ/Y	96.7	705.9	864	B149937	960/1050	1080	1803
B110369	75	1480	400/690 Δ/Y	131.0	995.6	996	B149948	960/1050	1080	1935
B110370	90	1480	400/690 Δ/Y	157.0	1177.5	1092	B149948	960/1050	1080	1935
B110371	110	1485	400/690 Δ/Y	191.0	1356.1	1435	B149948	960/1050	1080	2168
B110372	7.5	970	400/690 Δ/Y	15.9	103.4	571	B149928	960/1050	1080	1545
B110373	11	970	400/690 Δ/Y	22.1	166.1	621	B149937	960/1050	1080	1545
B110374	15	975	400/690 Δ/Y	29.8	190.7	673	B149937	960/1050	1080	1581

All indicated values for 400V/50Hz/3~. h\*: Casing position: 0°, 90° h\*\*: Casing position: 270°



# HREK01-35-1120 Centrifugal fan



- Z05** Protective grill suction side  
Ord. no. B151066
- Z10** Flexible sleeve round  
Ord. no. B141033
- Z13** Inspection hatch  
Ord. no. B240512
- Z16** Rubber anti vibration mounts (see below)
- Z18** Flange, round  
Ord. no. B101448
- Z19** Flange, square  
Ord. no. B101233
- Z45** Counter flange  
Ord. no. B101378
- Z63** Transition piece, square to round  
Ord. no. B101503
- Z81** Flexible sleeve square  
Ord. no. B101306
- Z89** Condensate drain  
Ord. no. B240506

Full specifications for accessoires, see page 122

## HREK01-35-1120-B

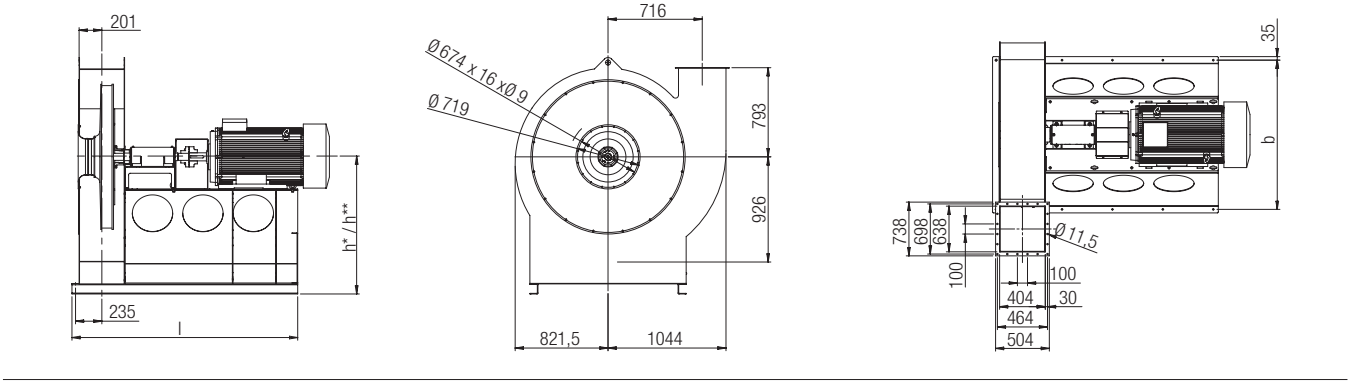
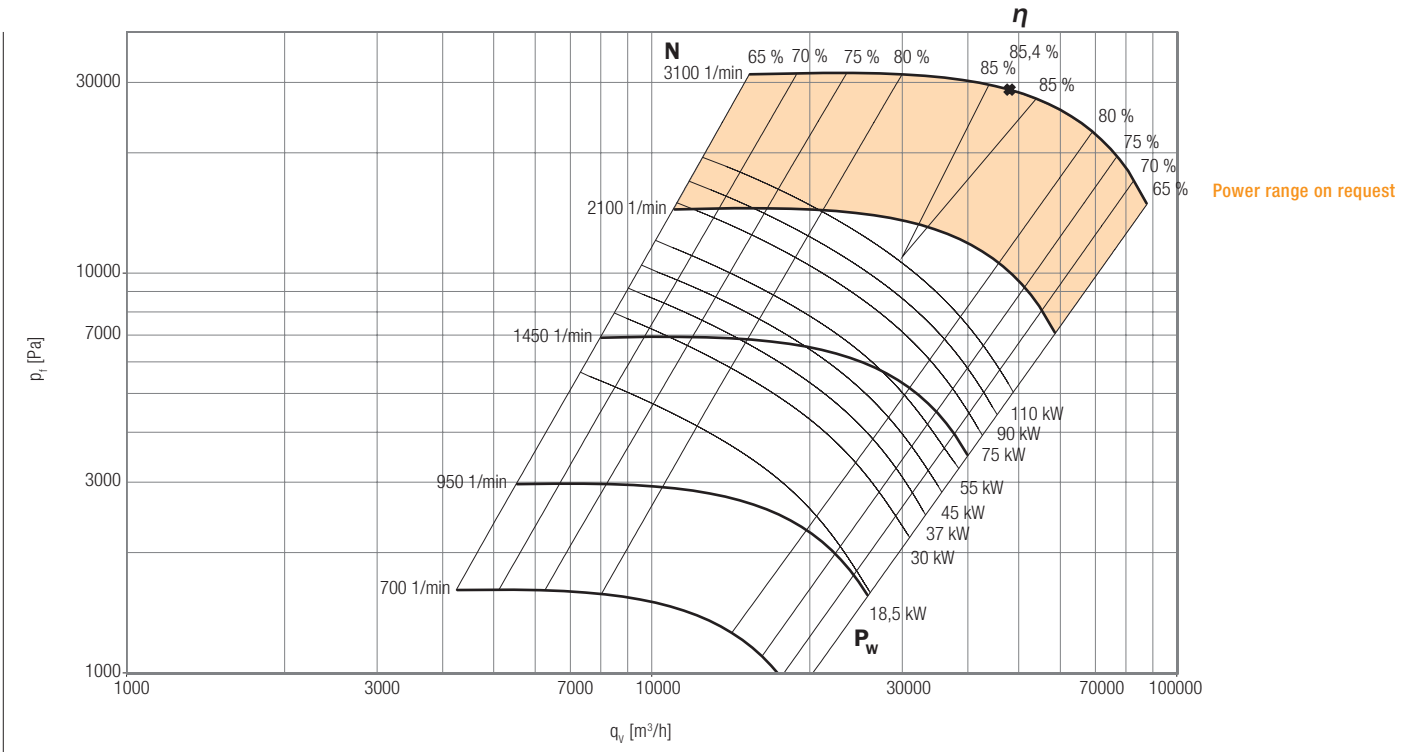
Order no. Fan	Motor power output [kW]	Speed [1/min]	Voltage [V] Connection	Nominal current [A]	Starting current [A]	Weight ca. [kg]	Order no. Z16	h* / h** [mm]	b [mm]	l [mm]
B110375	30	1470	400/690 Δ/Y	54.4	386.2	915	B149937	1050/1155	1200	1863
B110376	37	1480	400/690 Δ/Y	66.2	496.5	957	B149937	1050/1155	1200	1933
B110377	45	1480	400/690 Δ/Y	80.1	608.8	987	B149948	1050/1155	1200	1933
B110378	55	1480	400/690 Δ/Y	96.7	705.9	1034	B149948	1050/1155	1200	1994
B110379	75	1480	400/690 Δ/Y	131.0	995.6	1166	B149948	1050/1155	1200	2066
B110380	90	1480	400/690 Δ/Y	157.0	1177.5	1262	B149948	1050/1155	1200	2066
B110381	110	1485	400/690 Δ/Y	191.0	1356.1	1605	B149948	1050/1155	1200	2299
B110382	18.5	980	400/690 Δ/Y	35.7	249.9	821	B149937	1050/1155	1200	1753
B110383	22	980	400/690 Δ/Y	41.6	291.2	851	B149937	1050/1155	1200	1753
B110384	30	980	400/690 Δ/Y	56.2	365.3	919	B149937	1050/1155	1200	1823
B110385	7.5	720	400/690 Δ/Y	16.9	101.4	703	B149937	1050/1155	1200	1661
B110386	11	730	400/690 Δ/Y	23.4	140.4	779	B149937	1050/1155	1200	1697
B110387	15	730	400/690 Δ/Y	32.1	211.9	847	B149937	1050/1155	1200	1788

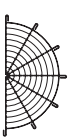
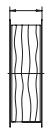
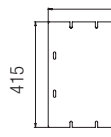





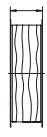

All indicated values for 400V/50Hz/3~.

h\*: Casing position: 0°, 90° h\*\*: Casing position: 270°

# HREK01-35-1250 Centrifugal fan

Megatec by Pollrich DLK



-   
**Z05** Protective grill suction side  
 Ord. no. B151088
  -   
**Z10** Flexible sleeve round  
 Ord. no. B141035
  -   
**Z13** Inspection hatch  
 Ord. no. B240512
  -   
**Z16** Rubber anti vibration mounts (see below)
  -   
**Z18** Flange, round  
 Ord. no. B101449
  -   
**Z19** Flange, square  
 Ord. no. B101234
  -   
**Z45** Counter flange  
 Ord. no. B101379
  -   
**Z63** Transition piece, square to round  
 Ord. no. B101504
  -   
**Z81** Flexible sleeve square  
 Ord. no. B101307
  -   
**Z89** Condensate drain  
 Ord. no. B240506
- Full specifications for accessoires, see page 122

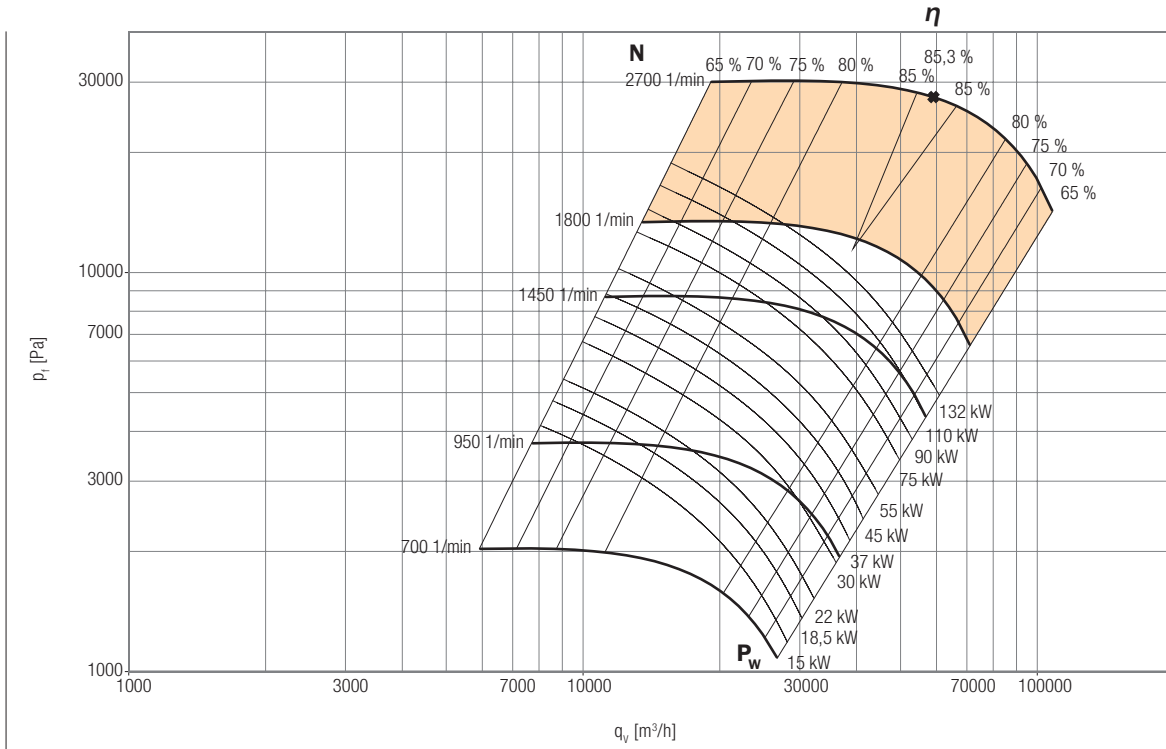
**HREK01-35-1250-B**

Order no. Fan	Motor power output [kW]	Speed [1/min]	Voltage [V] Connection	Nominal current [A]	Starting current [A]	Weight ca. [kg]	Order no. Z16	$h^* / h^{**}$ [mm]	$b$ [mm]	$l$ [mm]
B110389	45	1480	400/690 $\Delta/Y$	80.1	608.8	1218	B149948	1150/1265	1330	1979
B110390	55	1480	400/690 $\Delta/Y$	96.7	705.9	1265	B149948	1150/1265	1330	2040
B110391	75	1480	400/690 $\Delta/Y$	131.0	995.6	1397	B149948	1150/1265	1330	2112
B110392	90	1480	400/690 $\Delta/Y$	157.0	1177.5	1493	B149948	1150/1265	1330	2112
B110393	110	1485	400/690 $\Delta/Y$	191.0	1356.1	1836	B149948	1150/1265	1330	2345
B110394	30	980	400/690 $\Delta/Y$	56.2	365.3	1153	B149948	1150/1265	1330	1959
B110395	37	980	400/690 $\Delta/Y$	66.9	461.6	1229	B149948	1150/1265	1330	2020
B110396	45	980	400/690 $\Delta/Y$	80.4	562.8	1351	B149948	1150/1265	1330	2092
B110397	18.5	730	400/690 $\Delta/Y$	39.0	257.4	1099	B149948	1150/1265	1330	1959

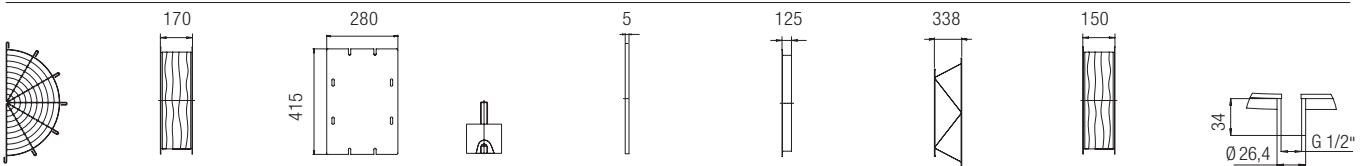
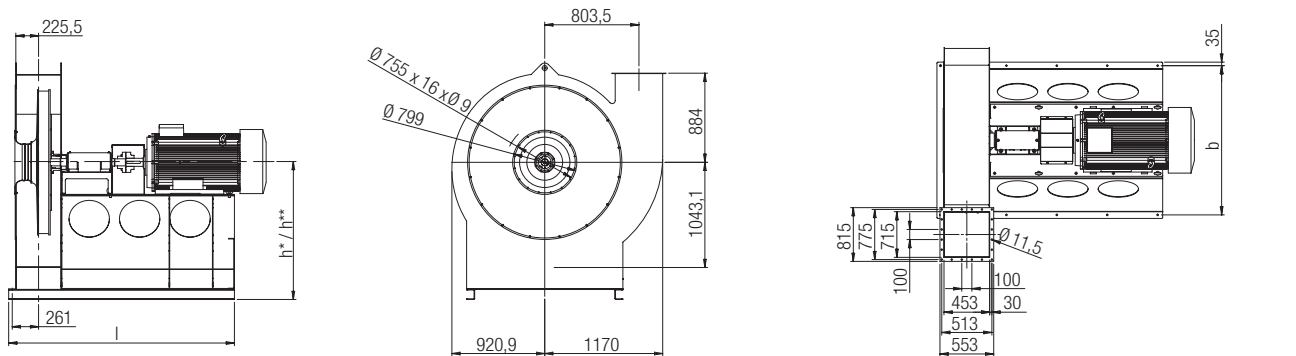
All indicated values for 400V/50Hz/3~.  $h^*$ : Casing position: 0°, 90°  $h^{**}$ : Casing position: 270°

# HREK01-35-1400 Centrifugal fan

Megatec by Polrich DLK



Power range on request



**Z05** Protective grill suction side  
Ord. no. B151072

**Z10** Flexible sleeve round  
Ord. no. B141036

**Z13** Inspection hatch  
Ord. no. B240512

**Z16** Rubber anti vibration mounts (see below)

**Z18** Flange, round  
Ord. no. B101450  
**Z19** Flange, square  
Ord. no. B101235

**Z45** Counter flange  
Ord. no. B101380

**Z63** Transition piece, square to round  
Ord. no. B101505

**Z81** Flexible sleeve square  
Ord. no. B101440

**Z89** Condensate drain  
Ord. no. B240506

Full specifications for accessoires, see page 122

## HREK01-35-1400-B

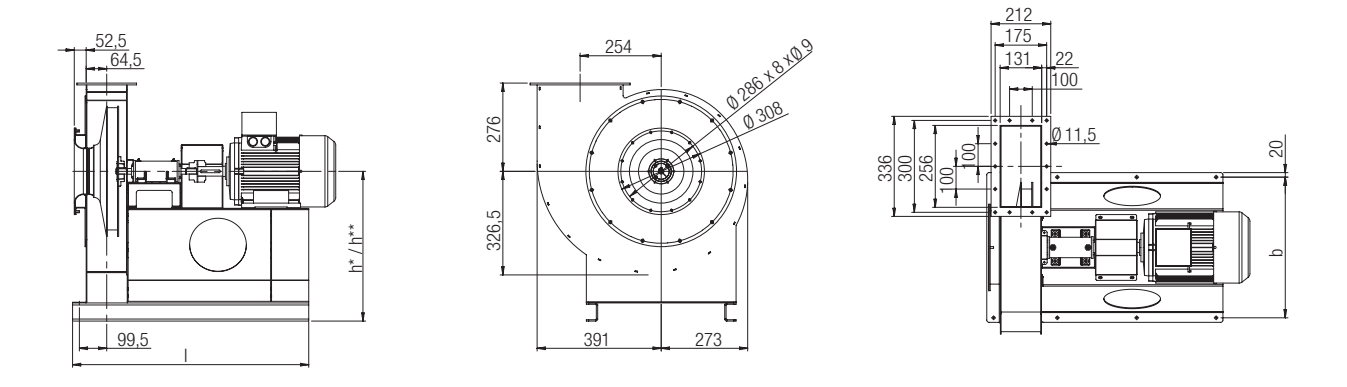
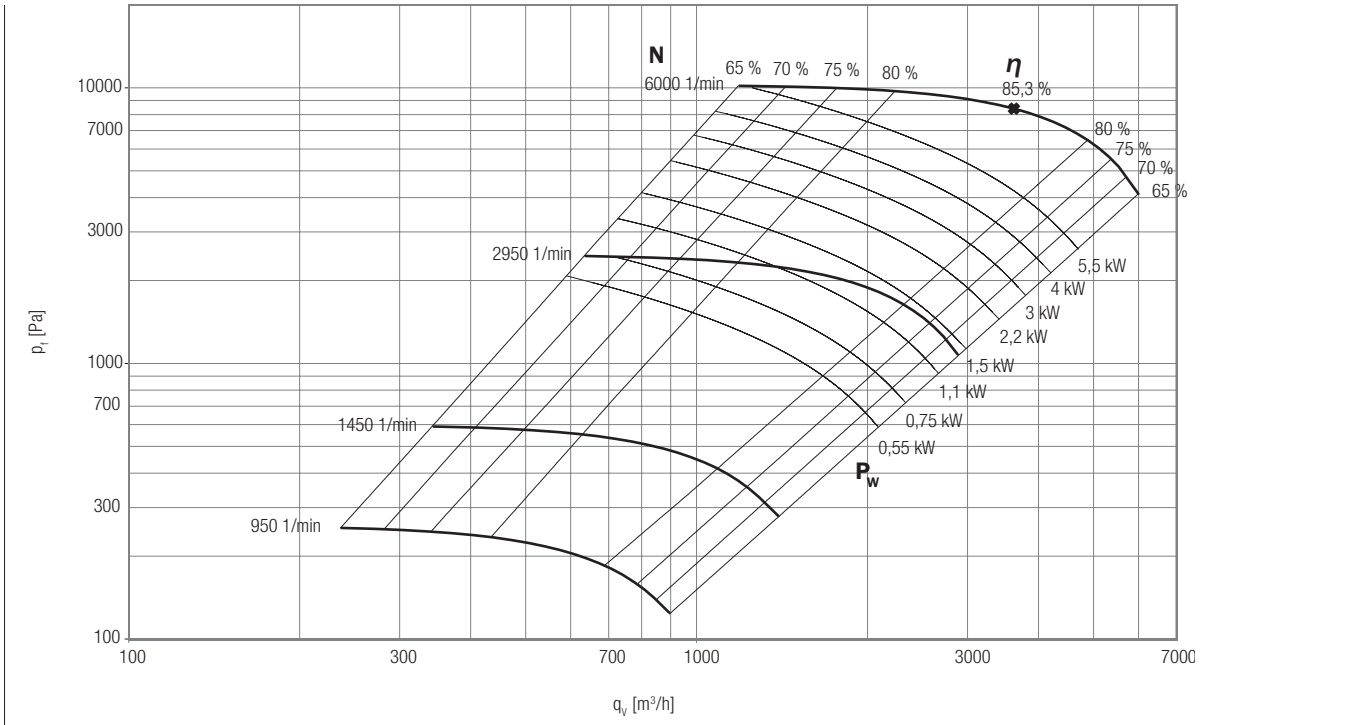
Order no. Fan	Motor power output [kW]	Speed [1/min]	Voltage [V] Connection	Nominal current [A]	Starting current [A]	Weight ca. [kg]	Order no. Z16	h* / h** [mm]	b [mm]	l [mm]
B110398	75	1480	400/690 Δ/Y	131.0	995.6	1738	B149948	1260/1390	1480	2163
B110399	90	1480	400/690 Δ/Y	157.0	1177.5	1834	B149948	1260/1390	1480	2163
B110400	110	1485	400/690 Δ/Y	191.0	1356.1	2177	B250291	1260/1390	1480	2396
B110401	132	1485	400/690 Δ/Y	228.0	1664.4	2264	B250291	1260/1390	1480	2396
B110402	18.5	980	400/690 Δ/Y	35.7	249.9	1417	B149948	1260/1390	1480	1960
B110403	22	980	400/690 Δ/Y	41.6	291.2	1447	B149948	1260/1390	1480	1960
B110404	30	980	400/690 Δ/Y	56.2	365.3	1515	B149948	1260/1390	1480	2030
B110405	37	980	400/690 Δ/Y	66.9	461.6	1591	B149948	1260/1390	1480	2091
B110406	45	980	400/690 Δ/Y	80.4	562.8	1713	B149948	1260/1390	1480	2163
B110407	55	980	400/690 Δ/Y	96.6	685.9	1768	B149948	1260/1390	1480	2163
B110408	75	985	400/690 Δ/Y	132.1	964.3	2142	B250291	1260/1390	1480	2396
B110409	15	730	400/690 Δ/Y	32.1	211.9	1424	B149948	1260/1390	1480	1940
B110410	18.5	730	400/690 Δ/Y	39.0	257.4	1440	B149948	1260/1390	1480	2010

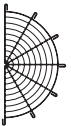
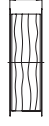
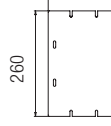


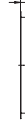

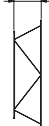


All indicated values for 400V/50Hz/3~.

h\*: Casing position: 0°, 90° h\*\*: Casing position: 270°

# HREK01-40-0400 Centrifugal fan

Megatec by Pollrich DLK



-   
**Z05** Protective grill suction side  
 Ord. no. B101459
  -   
**Z10** Flexible sleeve round  
 Ord. no. B101462
  -   
**Z13** Inspection hatch  
 Ord. no. B240514
  -   
**Z16** Rubber anti vibration mounts (see below)
  -   
**Z18** Flange, round  
 Ord. no. B101465
  -   
**Z19** Flange, square  
 Ord. no. B101236
  -   
**Z45** Counter flange  
 Ord. no. B101381
  -   
**Z63** Transition piece, square to round  
 Ord. no. B101506
  -   
**Z81** Flexible sleeve square  
 Ord. no. B101308
  -   
**Z89** Condensate drain  
 Ord. no. B240506
- Full specifications for accessoires, see page 122

## HREK01-40-0400-B

Order no. Fan	Motor power output [kW]	Speed [1/min]	Voltage [V] Connection	Nominal current [A]	Starting current [A]	Weight ca. [kg]	Order no. Z16	$h^*/h^{**}$ [mm]	$b$ [mm]	$l$ [mm]
B110411	1.5	2890	230/400 $\Delta/Y$	3.2	22.7	130	B149380	530/595	460	987
B110412	2.2	2890	230/400 $\Delta/Y$	4.5	31.1	135	B149380	530/595	460	987
B110413	3	2891	230/400 $\Delta/Y$	5.9	47.2	142	B149380	530/595	460	997
B110414	4	2914	400/690 $\Delta/Y$	7.6	57.0	145	B149380	530/595	460	997
B110415	5.5	2937	400/690 $\Delta/Y$	10.6	79.5	162	B149380	530/595	460	1017
B110416	0.55	1390	230/400 $\Delta/Y$	1.5	7.5	125	B149380	530/595	460	977
B110417	0.75	1400	230/400 $\Delta/Y$	1.8	9.0	127	B149380	530/595	460	977
B110418	1.1	1440	230/400 $\Delta/Y$	2.5	15.0	131	B149380	530/595	460	987
B110419	1.5	1445	230/400 $\Delta/Y$	3.4	23.1	134	B149380	530/595	460	987

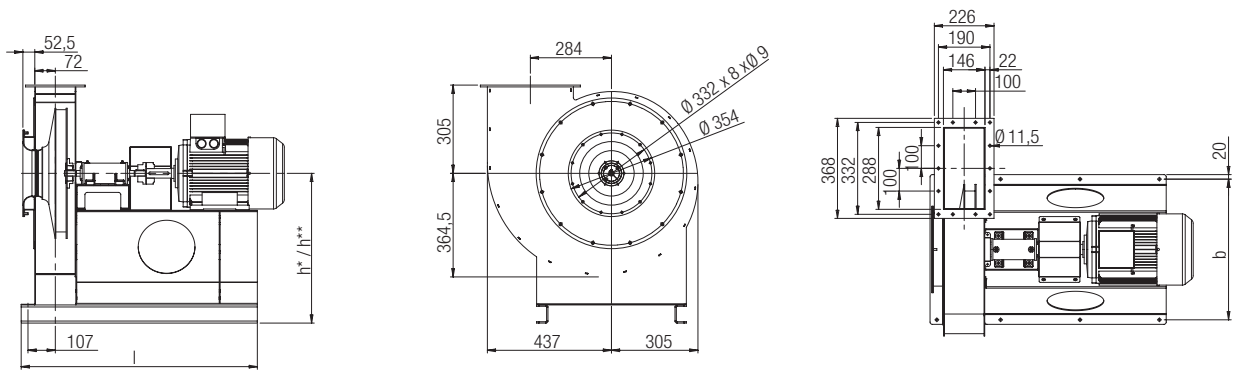
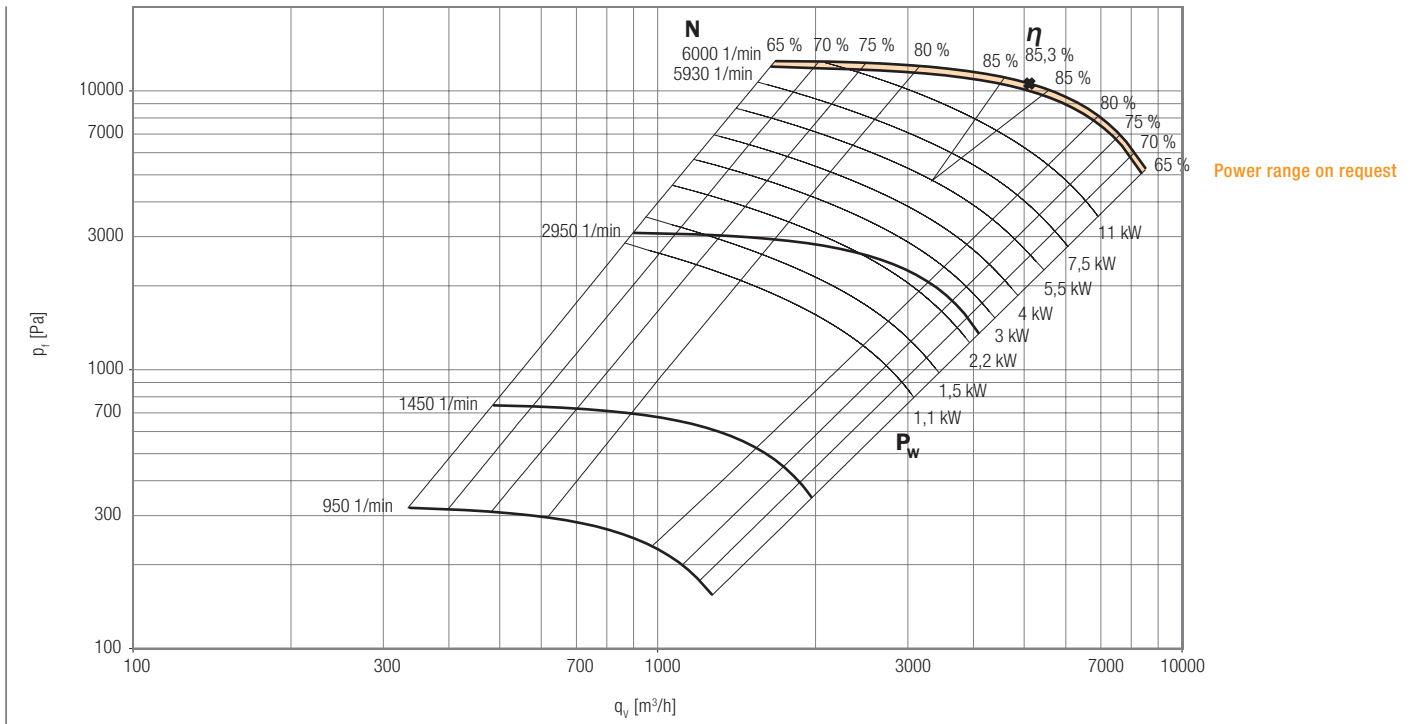
All indicated values for 400V/50Hz/3~.


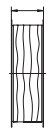
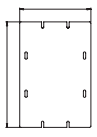





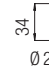
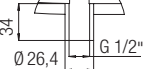
$h^*$ : Casing position: 0°, 90°

$h^{**}$ : Casing position: 270°

# HREK01-40-0450 Centrifugal fan

Megatec by Poltrich DLK



-   
**Z05** Protective grill suction side  
 Ord. no. B151080
  -   
**Z10** Flexible sleeve round  
 Ord. no. B140894
  -   
**Z13** Inspection hatch  
 Ord. no. B240514
  -   
**Z16** Rubber anti vibration mounts  
 (see below)
  -   
**Z18** Flange, round  
 Ord. no. B101441
  -   
**Z19** Flange, square  
 Ord. no. B101237
  -   
**Z45** Counter flange  
 Ord. no. B101382
  -   
**Z63** Transition piece, square to round  
 Ord. no. B101507
  -   
**Z81** Flexible sleeve square  
 Ord. no. B101309
  -   
**Z89** Condensate drain  
 Ord. no. B240506
- Full specifications for accessoires, see page 122

## HREK01-40-0450-B

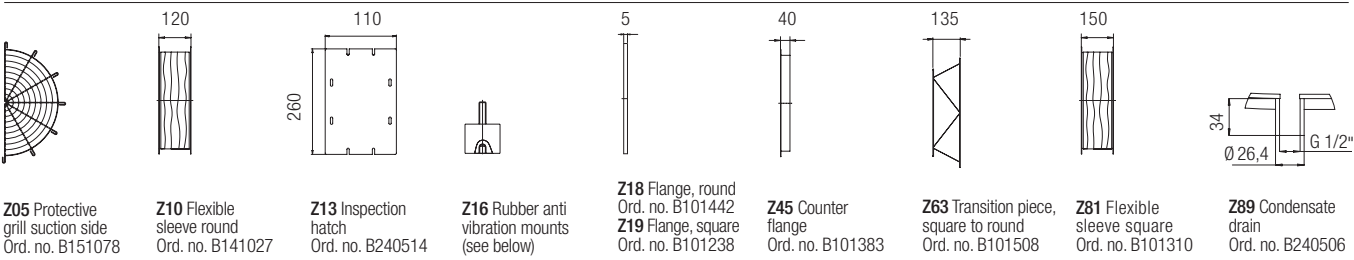
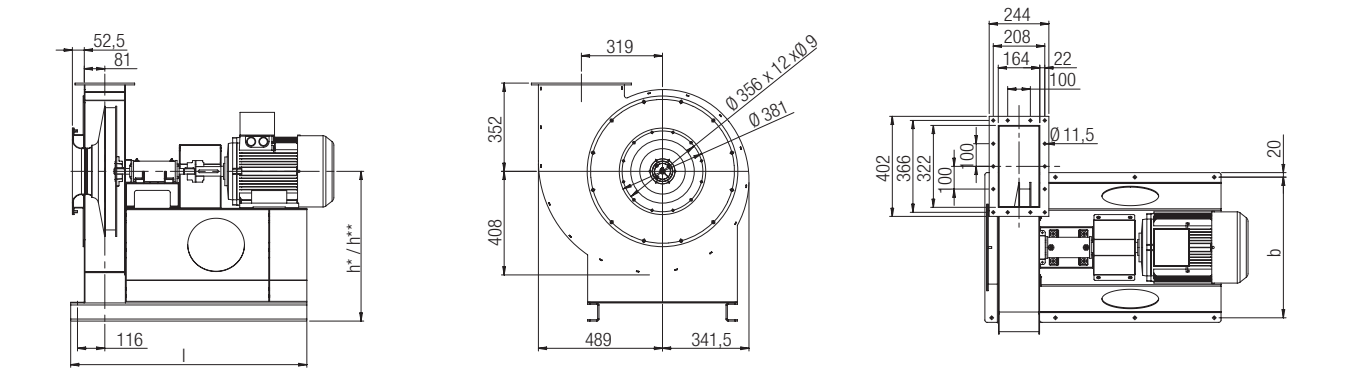
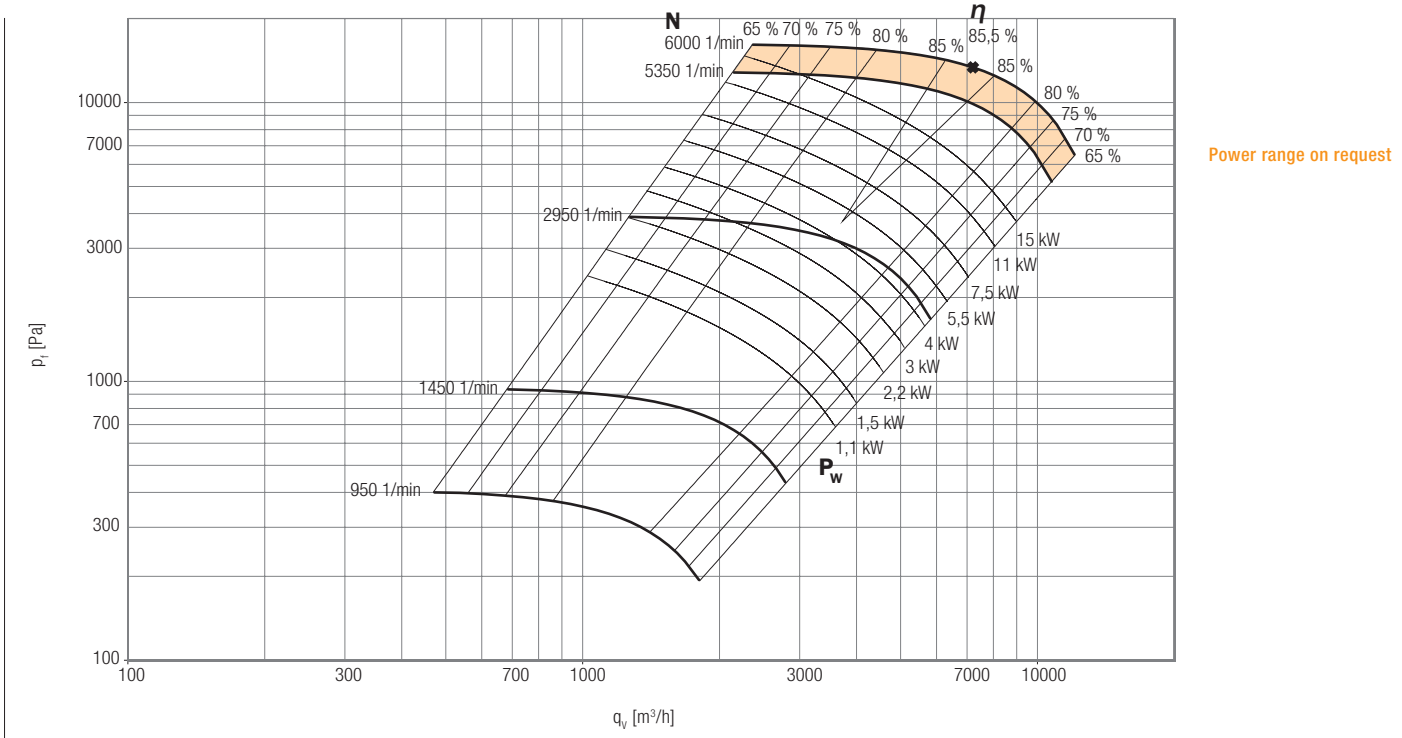
Order no. Fan	Motor power output [kW]	Speed [1/min]	Voltage [V] Connection	Nominal current [A]	Starting current [A]	Weight ca. [kg]	Order no. Z16	h* / h** [mm]	b [mm]	l [mm]
B110420	3	2891	230/400 Δ/Y	5.9	47.2	155	B149380	565/640	510	1112
B110421	4	2914	400/690 Δ/Y	7.6	57.0	158	B149380	565/640	510	1112
B110422	5.5	2937	400/690 Δ/Y	10.6	79.5	175	B149380	565/640	510	1259
B110423	7.5	2940	400/690 Δ/Y	13.9	104.3	180	B149380	565/640	510	1259
B110424	11	2930	400/690 Δ/Y	19.9	151.2	223	B128059	565/640	510	1289
B110425	1.1	1440	230/400 Δ/Y	2.5	15.0	144	B149380	565/640	510	1102
B110426	1.5	1445	230/400 Δ/Y	3.4	23.1	147	B149380	565/640	510	1102
B110427	2.2	1440	230/400 Δ/Y	4.6	32.2	157	B149380	565/640	510	1112
B110428	3	1440	230/400 Δ/Y	6.2	43.4	163	B149380	565/640	510	1112

All indicated values for 400V/50Hz/3~.

h\*: Casing position: 0°, 90° h\*\*: Casing position: 270°

# HREK01-40-0500 Centrifugal fan

Megatec by Pollrich DLK



Full specifications for accessoires, see page 122

## HREK01-40-0500-B

Order no. Fan	Motor power output [kW]	Speed [1/min]	Voltage [V] Connection	Nominal current [A]	Starting current [A]	Weight ca. [kg]	Order no. Z16	h* / h** [mm]	b [mm]	l [mm]
B110429	5.5	2937	400/690 Δ/Y	10.6	79.5	190	B149380	610/690	560	1320
B110430	7.5	2940	400/690 Δ/Y	13.9	104.3	195	B149380	610/690	560	1320
B110431	11	2930	400/690 Δ/Y	19.9	151.2	238	B128059	610/690	560	1350
B110432	15	2930	400/690 Δ/Y	26.6	202.2	264	B128059	610/690	560	1350
B110433	1.1	1440	230/400 Δ/Y	2.5	15.0	159	B149380	610/690	560	1075
B110434	1.5	1445	230/400 Δ/Y	3.4	23.1	162	B149380	610/690	560	1075
B110435	2.2	1440	230/400 Δ/Y	4.6	32.2	172	B149380	610/690	560	1085
B110436	3	1440	230/400 Δ/Y	6.2	43.4	178	B149380	610/690	560	1085
B110437	4	1445	400/690 Δ/Y	8.1	60.8	183	B149380	610/690	560	1085
B110438	5.5	1455	400/690 Δ/Y	10.9	69.8	195	B149380	610/690	560	1320

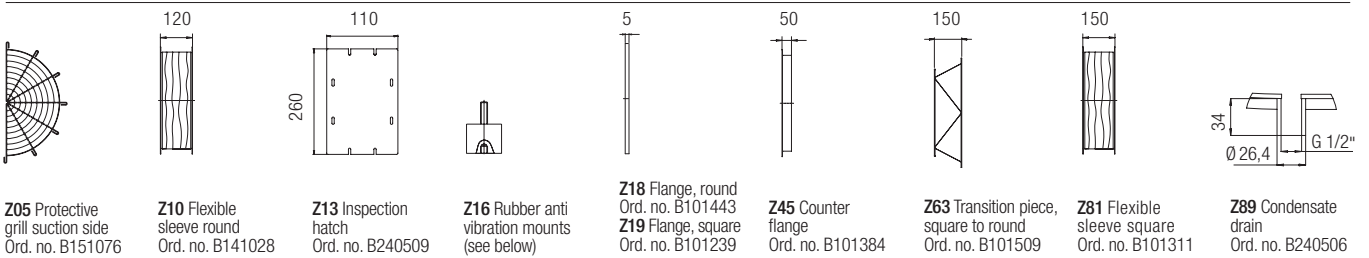
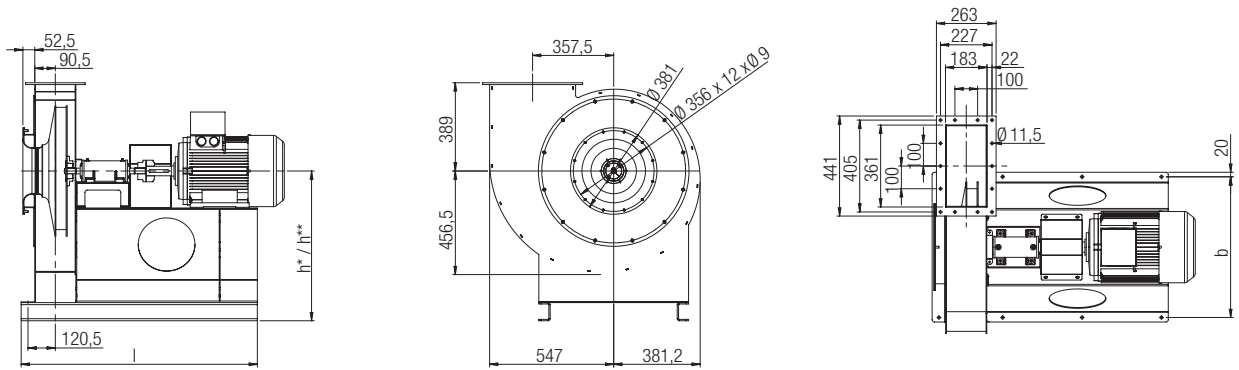
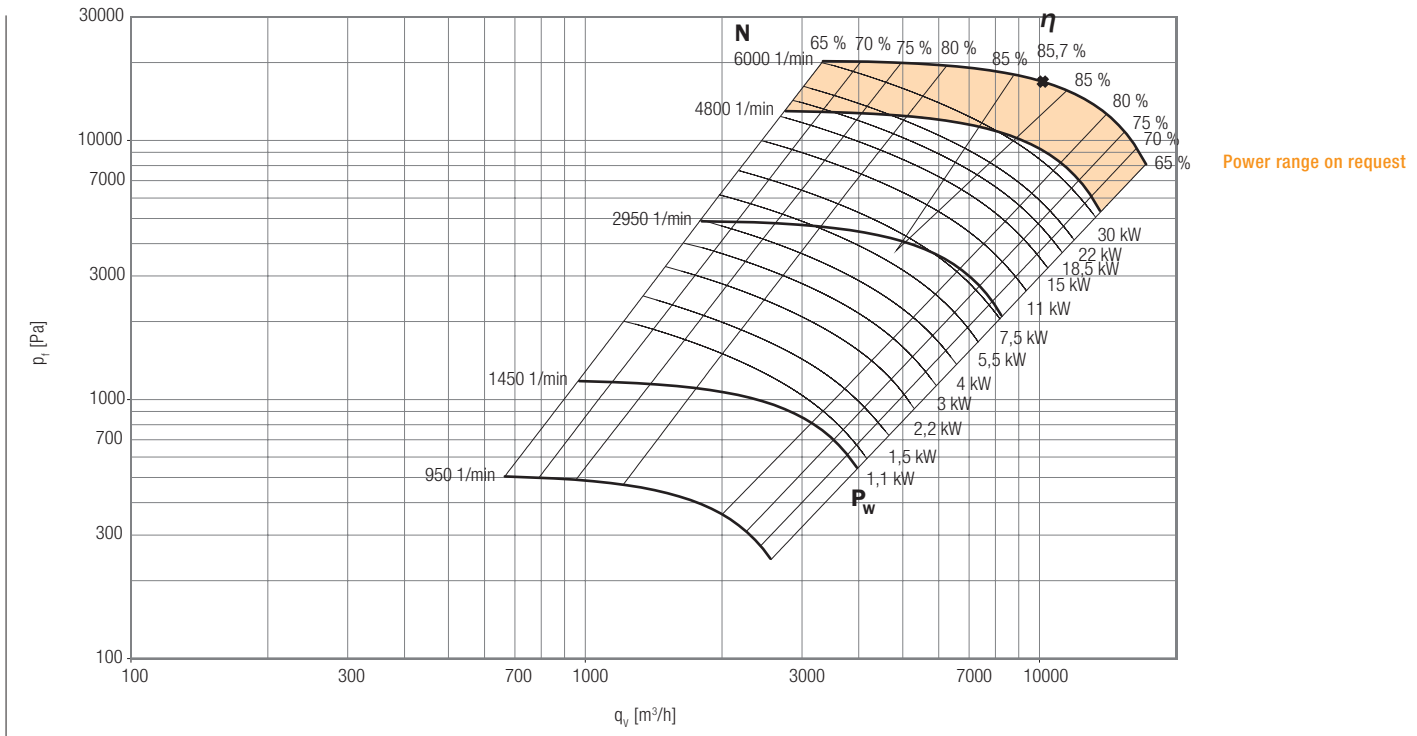
All indicated values for 400V/50Hz/3~.

h\*: Casing position: 0°, 90°

h\*\*: Casing position: 270°

# HREK01-40-0560 Centrifugal fan

Megatec by Polrich DLK



HREK01-40-0560-B

Full specifications for accessoires, see page 122

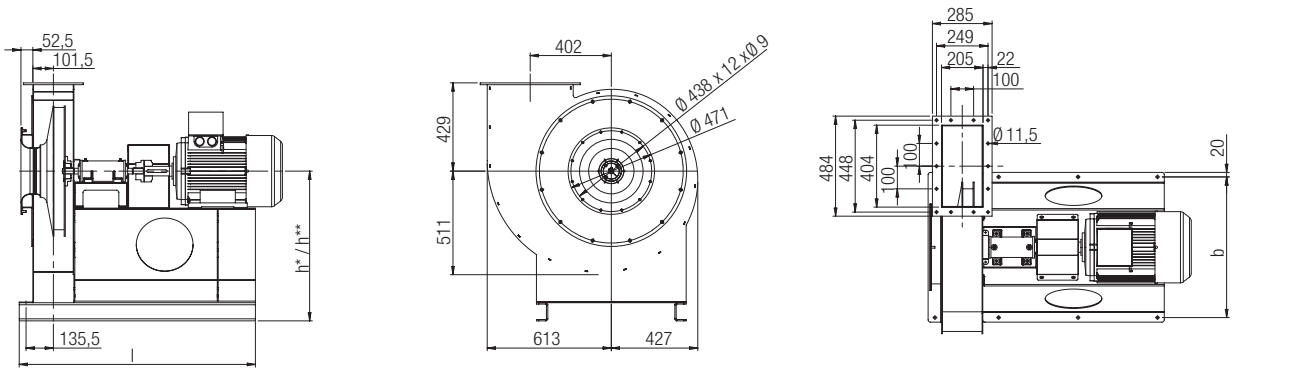
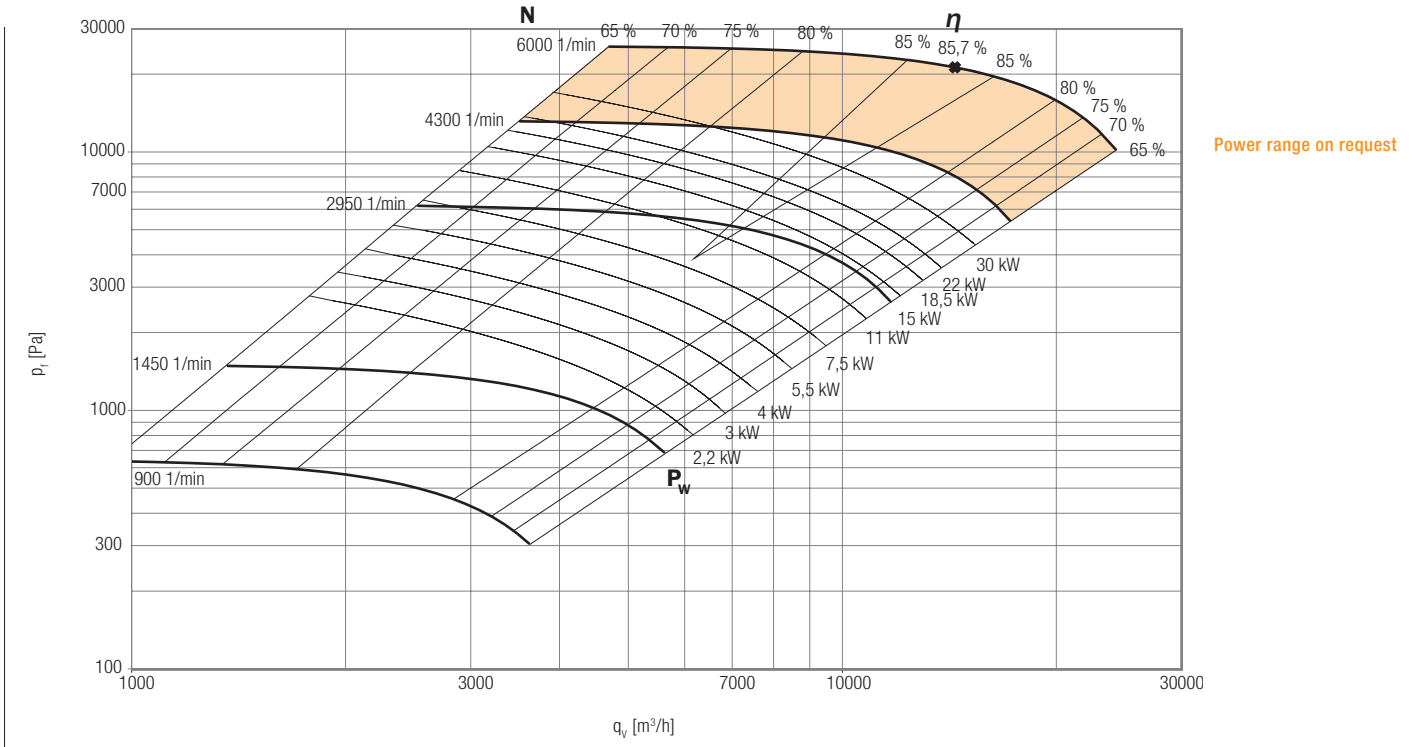
Order no. Fan	Motor power output [kW]	Speed [1/min]	Voltage [V] Connection	Nominal current [A]	Starting current [A]	Weight ca. [kg]	Order no. Z16	h* / h** [mm]	b [mm]	l [mm]
B110439	7.5	2940	400/690 Δ/Y	13.9	104.3	215	B128059	660/750	620	1169
B110440	11	2930	400/690 Δ/Y	19.9	151.2	258	B128059	660/750	620	1369
B110441	15	2930	400/690 Δ/Y	26.6	202.2	284	B128059	660/750	620	1369
B110442	18.5	2937	400/690 Δ/Y	33.0	244.2	314	B149928	660/750	620	1369
B110443	22	2940	400/690 Δ/Y	39.5	308.1	350	B149928	660/750	620	1369
B110444	30	2950	400/690 Δ/Y	53.4	416.5	407	B149928	660/750	620	1369
B110445	1.1	1440	230/400 Δ/Y	2.5	15.0	179	B149380	660/750	620	1139
B110446	1.5	1445	230/400 Δ/Y	3.4	23.1	182	B149380	660/750	620	1139
B110447	2.2	1440	230/400 Δ/Y	4.6	32.2	192	B149380	660/750	620	1149
B110448	3	1440	230/400 Δ/Y	6.2	43.4	198	B149380	660/750	620	1149
B110449	4	1445	400/690 Δ/Y	8.1	60.8	203	B149380	660/750	620	1149
B110450	5.5	1455	400/690 Δ/Y	10.9	69.8	215	B128059	660/750	620	1169
B110451	7.5	1455	400/690 Δ/Y	14.5	101.5	226	B128059	660/750	620	1169



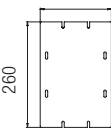



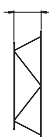
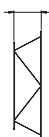

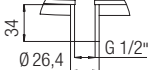
All indicated values for 400V/50Hz/3~.

h\*: Casing position: 0°, 90° h\*\*: Casing position: 270°

# HREK01-40-0630 Centrifugal fan

Megatec by Pollrich DLK



-   
**Z05** Protective grill suction side  
 Ord. no. B151074
  -   
**Z10** Flexible sleeve round  
 Ord. no. B141029
  -   
**Z13** Inspection hatch  
 Ord. no. B240509
  -   
**Z16** Rubber anti vibration mounts  
 (see below)
  -   
**Z18** Flange, round  
 Ord. no. B101444
  -   
**Z19** Flange, square  
 Ord. no. B101240
  -   
**Z45** Counter flange  
 Ord. no. B101385
  -   
**Z63** Transition piece, square to round  
 Ord. no. B101510
  -   
**Z81** Flexible sleeve square  
 Ord. no. B101312
  -   
**Z89** Condensate drain  
 Ord. no. B240506
- Full specifications for accessoires, see page 122

## HREK01-40-0630-B

Order no. Fan	Motor power output [kW]	Speed [1/min]	Voltage [V] Connection	Nominal current [A]	Starting current [A]	Weight ca. [kg]	Order no. Z16	h* / h** [mm]	b [mm]	l [mm]
B110453	15	2930	400/690 Δ/Y	26.6	202.2	314	B149928	715/815	690	1379
B110454	18.5	2937	400/690 Δ/Y	33.0	244.2	344	B149928	715/815	690	1379
B110455	22	2940	400/690 Δ/Y	39.5	308.1	380	B149928	715/815	690	1379
B110456	30	2950	400/690 Δ/Y	53.4	416.5	437	B149928	715/815	690	1346
B110457	2.2	1440	230/400 Δ/Y	4.6	32.2	220	B128059	715/815	690	1286
B110458	3	1440	230/400 Δ/Y	6.2	43.4	226	B128059	715/815	690	1286
B110459	4	1445	400/690 Δ/Y	8.1	60.8	231	B128059	715/815	690	1286
B110460	5.5	1455	400/690 Δ/Y	10.9	69.8	243	B128059	715/815	690	1306
B110461	7.5	1455	400/690 Δ/Y	14.5	101.5	254	B128059	715/815	690	1306
B110462	11	1460	400/690 Δ/Y	22.1	152.5	328	B149928	715/815	690	1369
B110463	15	1460	400/690 Δ/Y	29.6	222.0	305	B149928	715/815	690	1369

All indicated values for 400V/50Hz/3~.

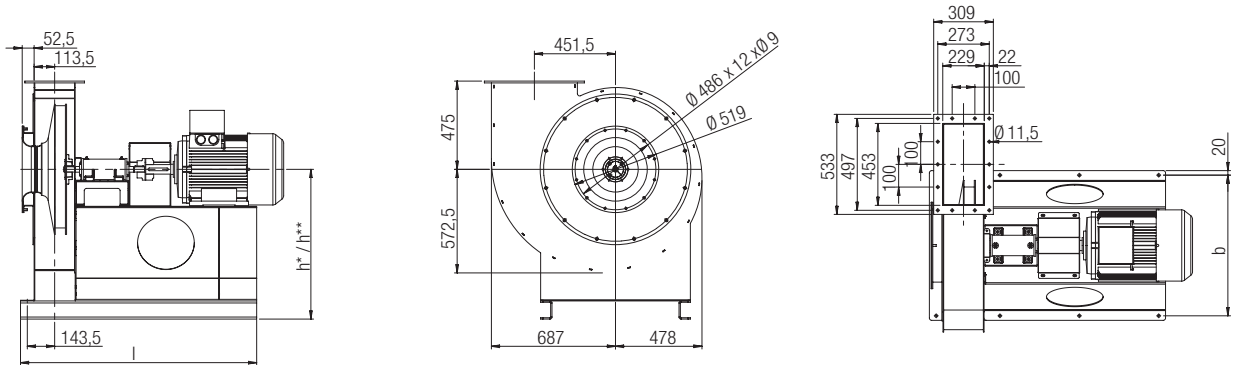
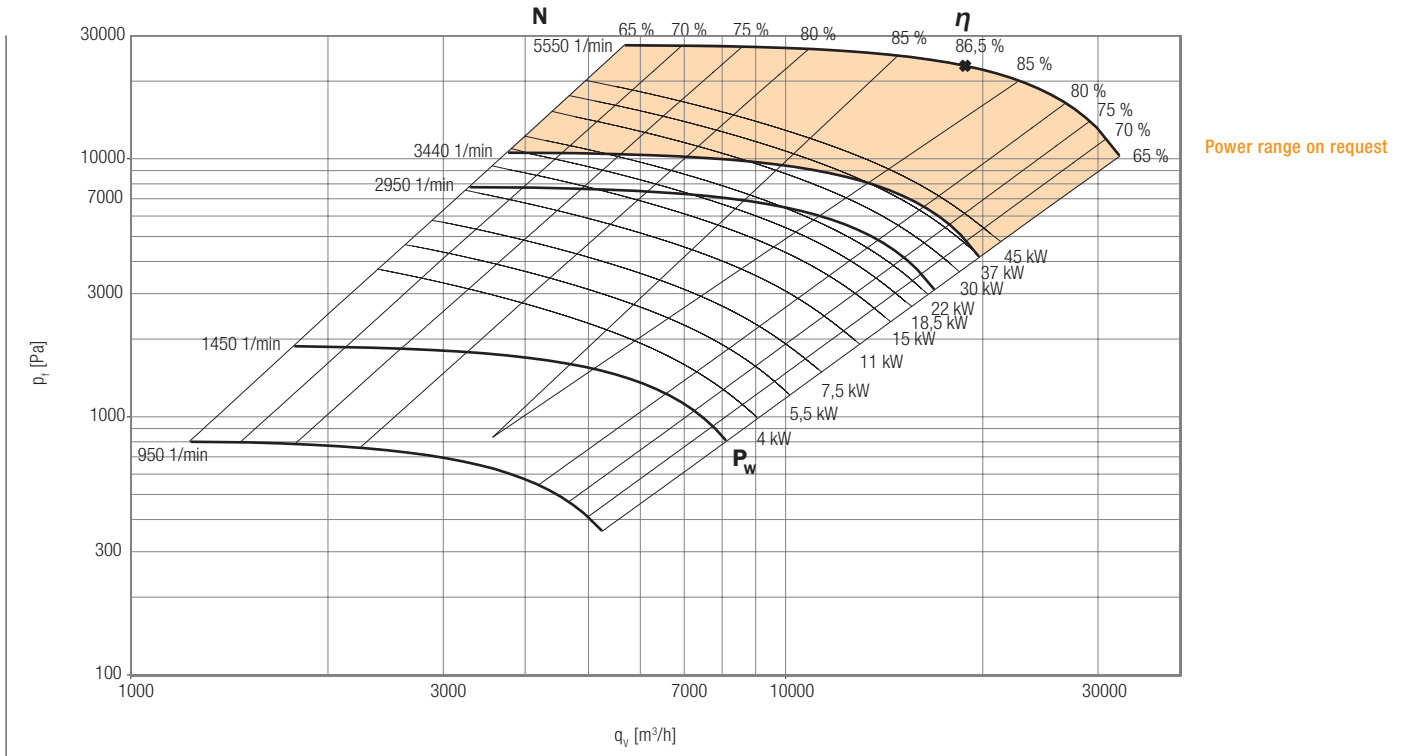
h\*: Casing position: 0°, 90°

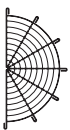
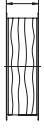
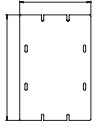




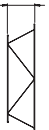

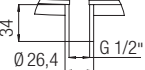
h\*\*: Casing position: 270°



# HREK01-40-0710 Centrifugal fan

Megatec by Poltrich DLK



-   
**Z05** Protective grill suction side  
Ord. no. B151061
  -   
**Z10** Flexible sleeve round  
Ord. no. B141030
  -   
**Z13** Inspection hatch  
Ord. no. B240509
  -   
**Z16** Rubber anti vibration mounts (see below)
  -   
**Z18** Flange, round  
Ord. no. B101445
  -   
**Z19** Flange, square  
Ord. no. B101241
  -   
**Z45** Counter flange  
Ord. no. B101386
  -   
**Z63** Transition piece, square to round  
Ord. no. B101511
  -   
**Z81** Flexible sleeve square  
Ord. no. B101313
  -   
**Z89** Condensate drain  
Ord. no. B240506
- Full specifications for accessoires, see page 122

## HREK01-40-0710-B

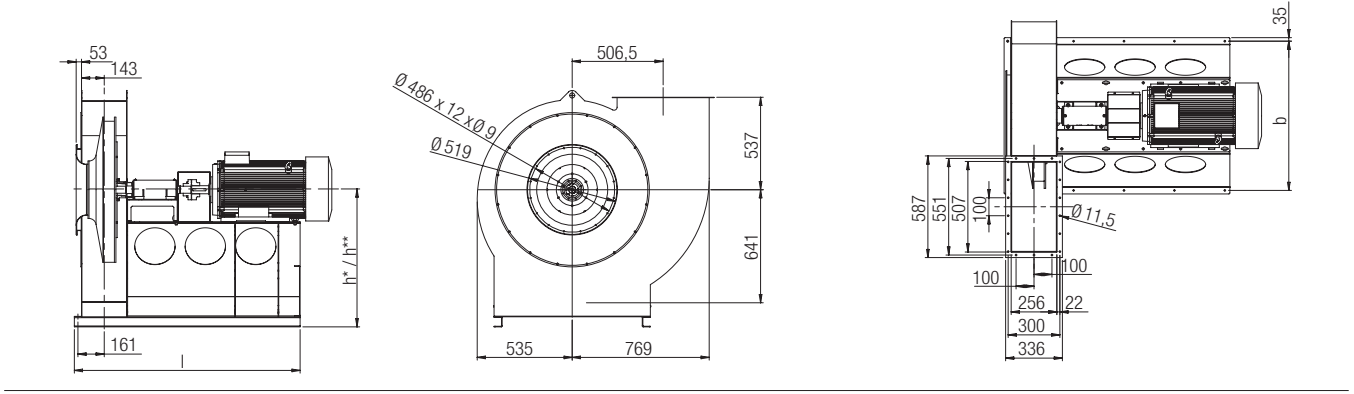
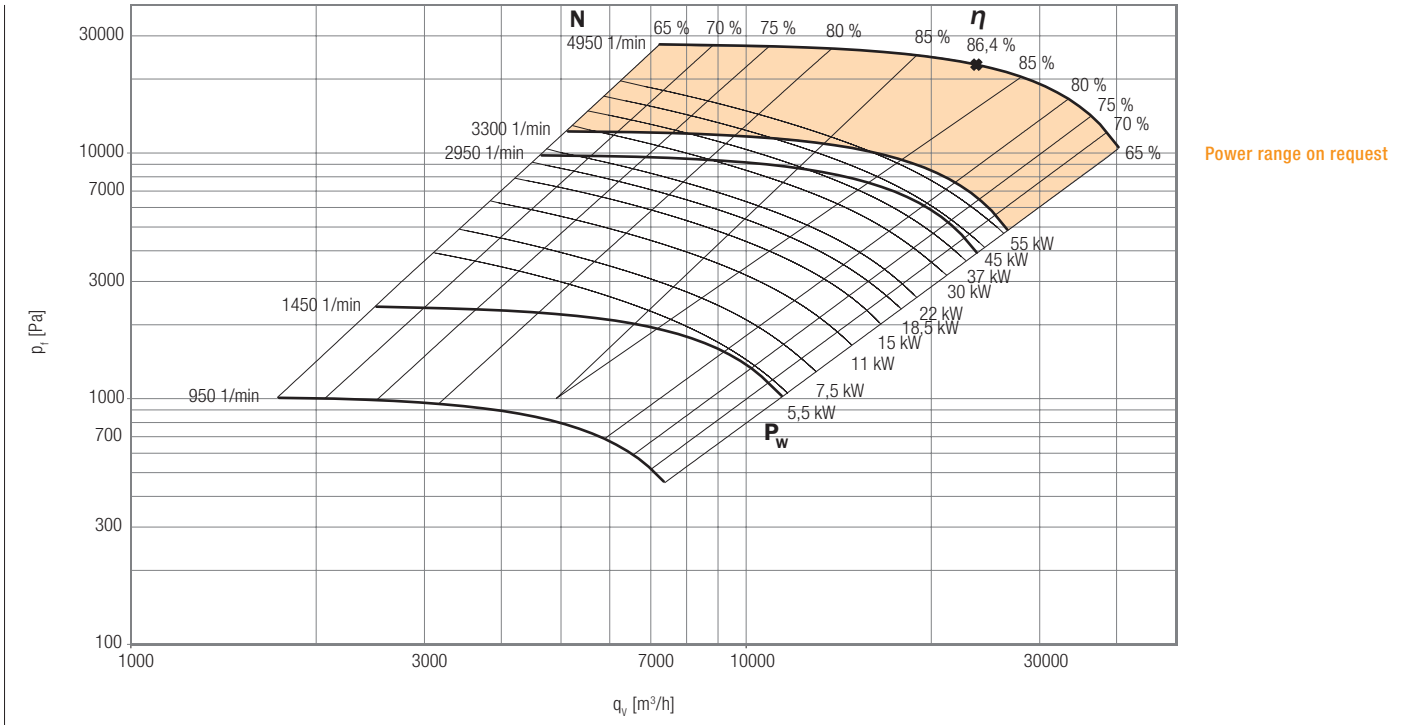
Order no. Fan	Motor power output [kW]	Speed [1/min]	Voltage [V] Connection	Nominal current [A]	Starting current [A]	Weight ca. [kg]	Order no. Z16	h* / h** [mm]	b [mm]	l [mm]
B110464	30	2950	400/690 Δ/Y	53.4	416.5	479	B149937	775/890	770	1570
B110465	37	2950	400/690 Δ/Y	63.5	489.0	480	B149937	775/890	770	1570
B110466	45	2960	400/690 Δ/Y	76.9	576.8	564	B149937	775/890	770	1600
B110467	4	1445	400/690 Δ/Y	8.1	60.8	270	B128059	775/890	770	1320
B110468	5.5	1455	400/690 Δ/Y	10.9	69.8	282	B128059	775/890	770	1340
B110469	7.5	1455	400/690 Δ/Y	14.5	101.5	293	B128059	775/890	770	1340
B110470	11	1460	400/690 Δ/Y	22.1	152.5	367	B149928	775/890	770	1370
B110471	15	1460	400/690 Δ/Y	29.6	222.0	344	B149928	775/890	770	1370
B110472	18.5	1470	400/690 Δ/Y	32.7	255.1	400	B149928	775/890	770	1515
B110473	22	1470	400/690 Δ/Y	38.4	288.0	417	B149928	775/890	770	1515


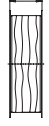
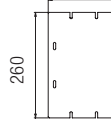







All indicated values for 400V/50Hz/3~.

h\*: Casing position: 0°, 90° h\*\*: Casing position: 270°

# HREK01-40-0800 Centrifugal fan

Megatec by Pollrich DLK



-   
**Z05** Protective grill suction side  
 Ord. no. B151081
  -   
**Z10** Flexible sleeve round  
 Ord. no. B141031
  -   
**Z13** Inspection hatch  
 Ord. no. B240509
  -   
**Z16** Rubber anti vibration mounts (see below)
  -   
**Z18** Flange, round  
 Ord. no. B101446
  -   
**Z19** Flange, square  
 Ord. no. B101242
  -   
**Z45** Counter flange  
 Ord. no. B101387
  -   
**Z63** Transition piece, square to round  
 Ord. no. B101512
  -   
**Z81** Flexible sleeve square  
 Ord. no. B101314
  -   
**Z89** Condensate drain  
 Ord. no. B240506
- Full specifications for accessoires, see page 122

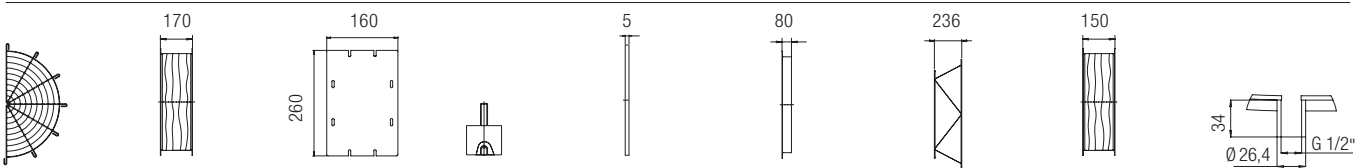
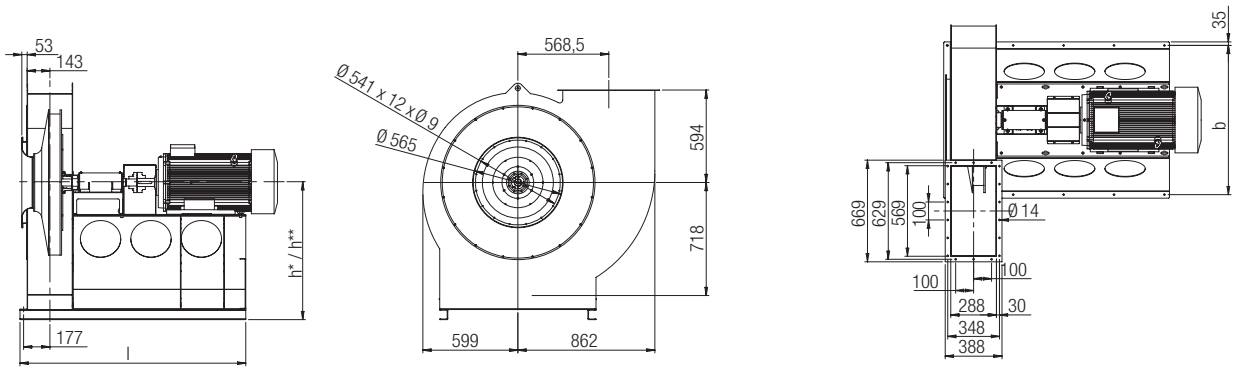
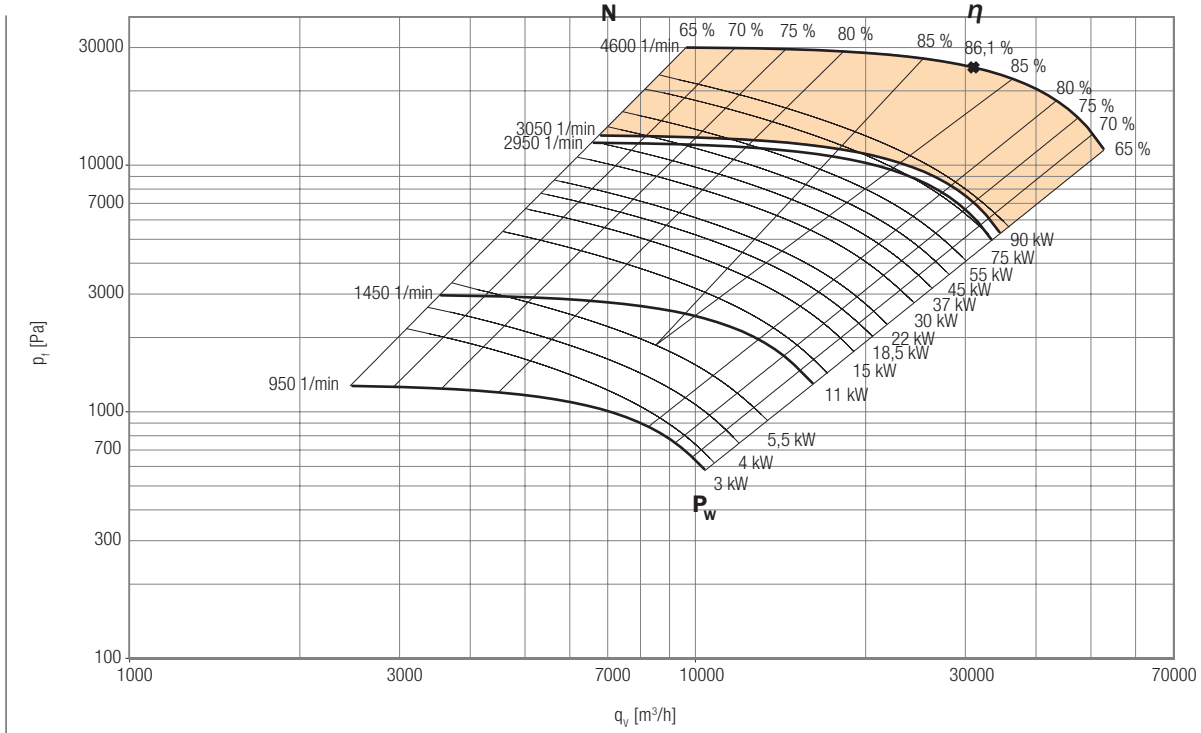
**HREK01-40-0800-B**

Order no. Fan	Motor power output [kW]	Speed [1/min]	Voltage [V] Connection	Nominal current [A]	Starting current [A]	Weight ca. [kg]	Order no. Z16	h* / h** [mm]	b [mm]	l [mm]
B110474	45	2960	400/690 Δ/Y	76.9	576.8	627	B149937	865/990	880	1705
B110475	55	2965	400/690 Δ/Y	93.6	664.6	685	B149937	865/990	880	1766
B110476	5.5	1455	400/690 Δ/Y	10.9	69.8	339	B128059	865/990	880	1294
B110477	7.5	1455	400/690 Δ/Y	14.5	101.5	350	B128059	865/990	880	1294
B110478	11	1460	400/690 Δ/Y	22.1	152.5	424	B149928	865/990	880	1476
B110479	15	1460	400/690 Δ/Y	29.6	222.0	401	B149928	865/990	880	1476
B110480	18.5	1470	400/690 Δ/Y	32.7	255.1	458	B149928	865/990	880	1507
B110481	22	1470	400/690 Δ/Y	38.4	288.0	475	B149928	865/990	880	1507
B110482	30	1470	400/690 Δ/Y	54.4	386.2	561	B149928	865/990	880	1598
B110483	37	1480	400/690 Δ/Y	66.2	496.5	603	B149937	865/990	880	1665
B110484	45	1480	400/690 Δ/Y	80.1	608.8	633	B149937	865/990	880	1665

All indicated values for 400V/50Hz/3~. h\*: Casing position: 0°, 90° h\*\*: Casing position: 270°

# HREK01-40-0900 Centrifugal fan

Megatec by Poltrich DLK



**Z05** Protective grill suction side  
Ord. no. B151068

**Z10** Flexible sleeve round  
Ord. no. B141032

**Z13** Inspection hatch  
Ord. no. B240509

**Z16** Rubber anti vibration mounts (see below)

**Z18** Flange, round  
Ord. no. B101447  
**Z19** Flange, square  
Ord. no. B101243

**Z45** Counter flange  
Ord. no. B101388

**Z63** Transition piece, square to round  
Ord. no. B101513

**Z81** Flexible sleeve square  
Ord. no. B101315

**Z89** Condensate drain  
Ord. no. B240506

Full specifications for accessoires, see page 122

## HREK01-40-0900-B

Order no. Fan	Motor power output [kW]	Speed [1/min]	Voltage [V] Connection	Nominal current [A]	Starting current [A]	Weight ca. [kg]	Order no. Z16	h* / h** [mm]	b [mm]	l [mm]
B110485	75	2970	400/690 Δ/Y	127.0	939.8	901	B149937	940/1085	980	1898
B110486	90	2970	400/690 Δ/Y	150.0	1140.0	946	B149937	940/1085	980	1826
B110487	11	1460	400/690 Δ/Y	22.1	152.5	507	B149928	940/1085	980	1511
B110488	15	1460	400/690 Δ/Y	29.6	222.0	484	B149928	940/1085	980	1511
B110489	18.5	1470	400/690 Δ/Y	32.7	255.1	540	B149928	940/1085	980	1547
B110490	22	1470	400/690 Δ/Y	38.4	288.0	557	B149928	940/1085	980	1547
B110491	30	1470	400/690 Δ/Y	54.4	386.2	643	B149937	940/1085	980	1638
B110492	37	1480	400/690 Δ/Y	66.2	496.5	685	B149937	940/1085	980	1705
B110493	45	1480	400/690 Δ/Y	80.1	608.8	715	B149937	940/1085	980	1705
B110494	55	1480	400/690 Δ/Y	96.7	705.9	762	B149937	940/1085	980	1766
B110496	3	964	230/400 Δ/Y	6.8	30.6	413	B149937	940/1085	980	1329
B110497	4	965	400/690 Δ/Y	9.0	45.0	422	B149928	940/1085	980	1329
B110498	5.5	965	400/690 Δ/Y	12.0	66.0	433	B149928	940/1085	980	1329

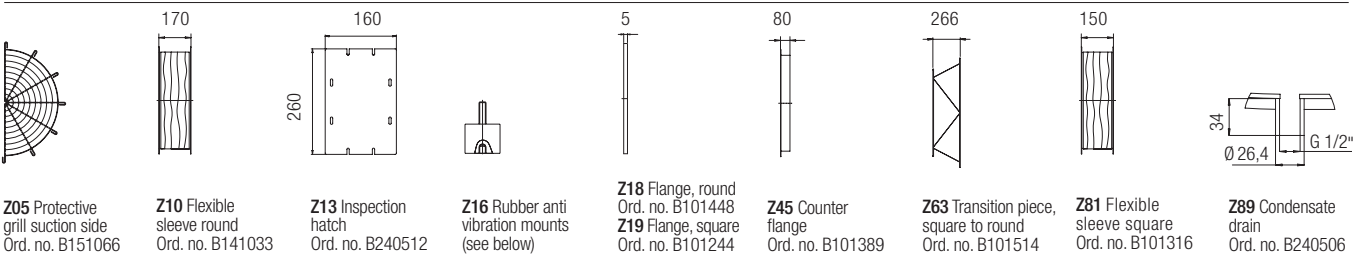
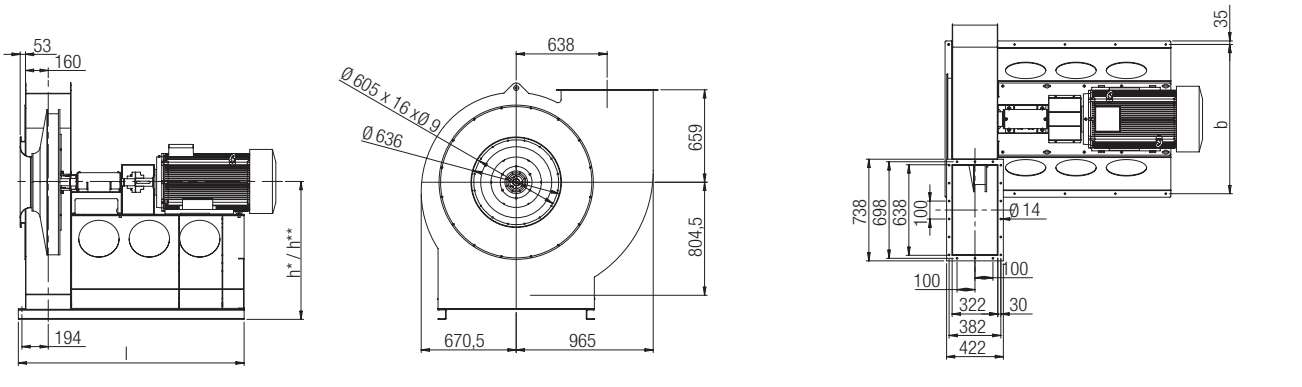
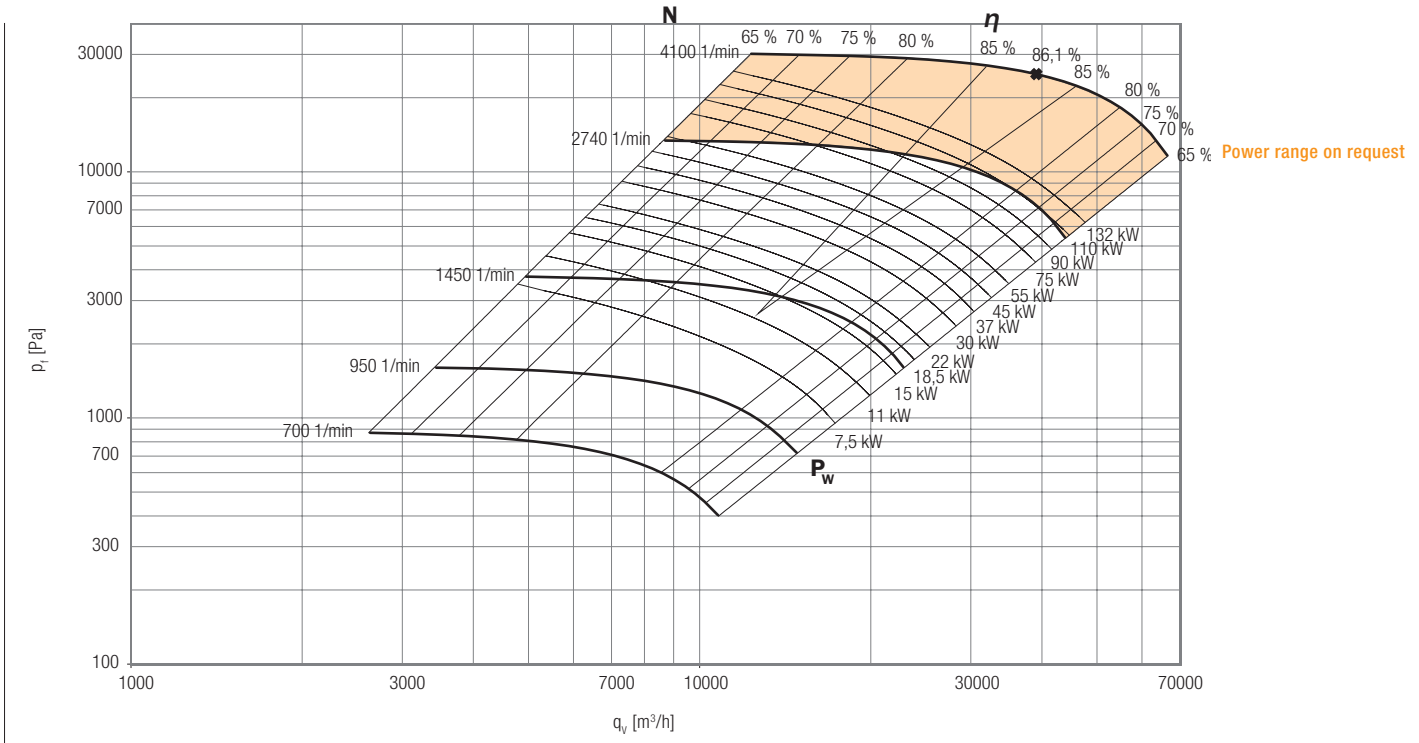
All indicated values for 400V/50Hz/3~.

h\*: Casing position: 0°, 90°

h\*\*: Casing position: 270°

# HREK01-40-1000 Centrifugal fan

Megatec by Pollrich DLK



## HREK01-40-1000-B

Order no. Fan	Motor power output [kW]	Speed [1/min]	Voltage [V] Connection	Nominal current [A]	Starting current [A]	Weight ca. [kg]	Order no. Z16	$h^*$ / $h^{**}$ [mm]	b [mm]	l [mm]
B110501	15	1460	400/690 $\Delta/Y$	29.6	222.0	577	B149928	1025/1185	1080	1545
B110502	18.5	1470	400/690 $\Delta/Y$	32.7	255.1	642	B149937	1025/1185	1080	1581
B110503	22	1470	400/690 $\Delta/Y$	38.4	288.0	659	B149937	1025/1185	1080	1581
B110504	30	1470	400/690 $\Delta/Y$	54.4	386.2	745	B149937	1025/1185	1080	1672
B110505	37	1480	400/690 $\Delta/Y$	66.2	496.5	787	B149937	1025/1185	1080	1742
B110506	45	1480	400/690 $\Delta/Y$	80.1	608.8	817	B149937	1025/1185	1080	1742
B110507	55	1480	400/690 $\Delta/Y$	96.7	705.9	864	B149937	1025/1185	1080	1803
B110508	75	1480	400/690 $\Delta/Y$	131.0	995.6	996	B149948	1025/1185	1080	1875
B110509	90	1480	400/690 $\Delta/Y$	157.0	1177.5	1092	B149948	1025/1185	1080	1875
B110510	110	1485	400/690 $\Delta/Y$	191.0	1356.1	1435	B149948	1025/1185	1080	2108
B110511	7.5	970	400/690 $\Delta/Y$	15.9	103.4	562	B149928	1025/1185	1080	1545
B110512	11	970	400/690 $\Delta/Y$	22.1	165.8	612	B149937	1025/1185	1080	1545
B110513	15	975	400/690 $\Delta/Y$	29.8	190.7	664	B149937	1025/1185	1080	1581

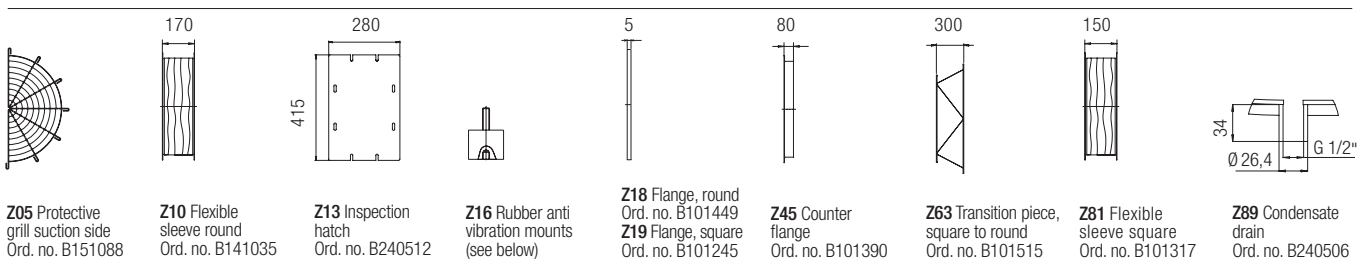
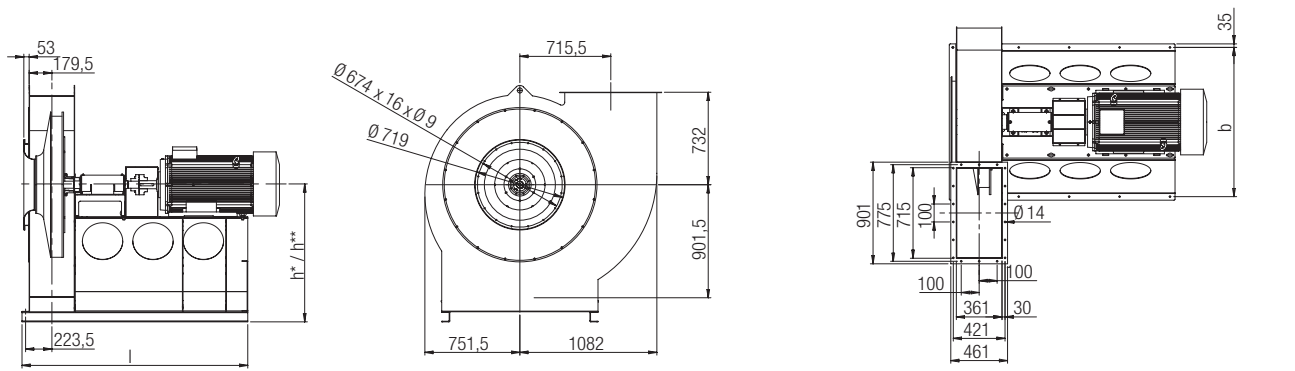
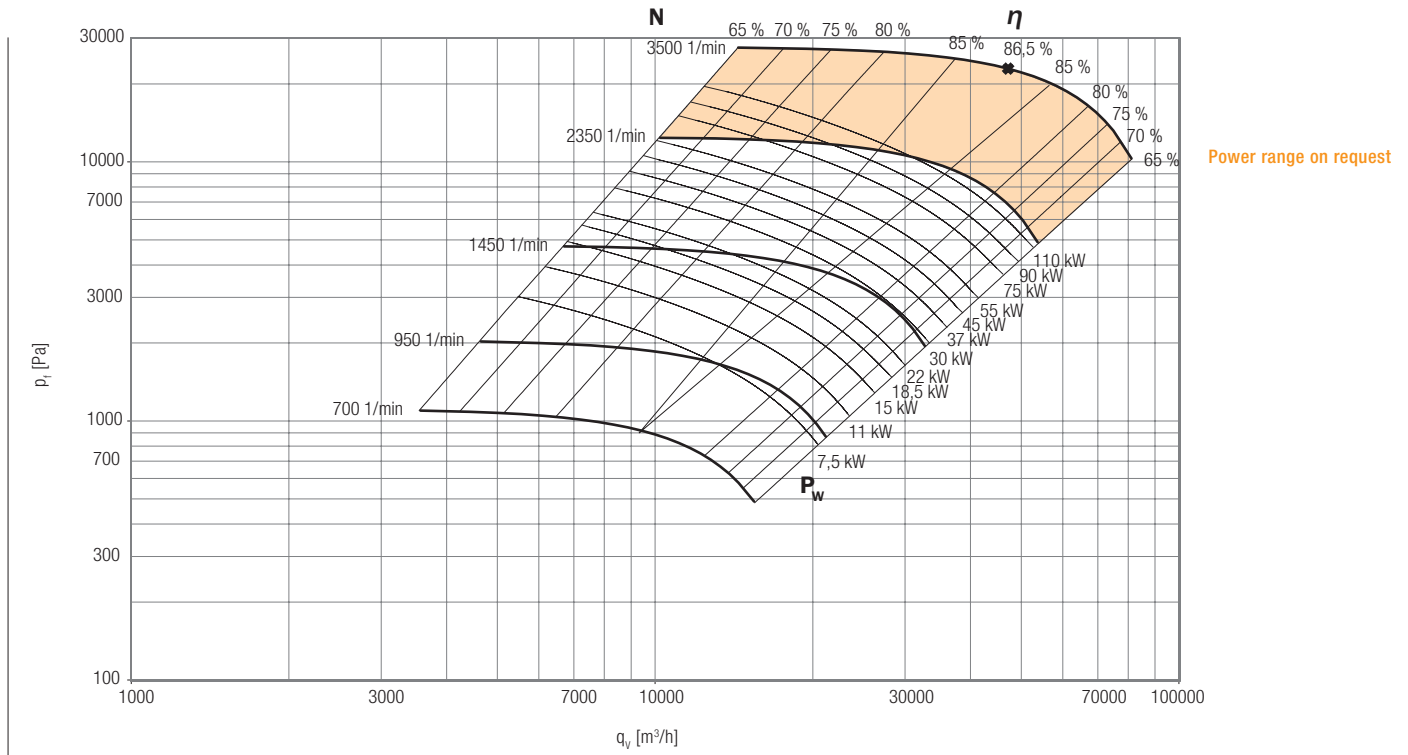
All indicated values for 400V/50Hz/3~.

$h^*$ : Casing position: 0°, 90°

$h^{**}$ : Casing position: 270°

# HREK01-40-1120 Centrifugal fan

Megatec by Polrich DLK



## HREK01-40-1120-B

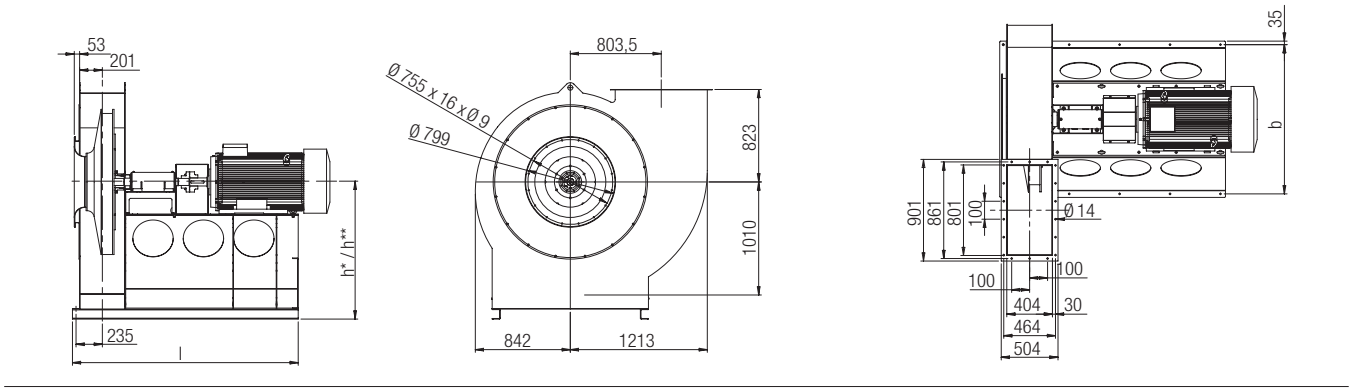
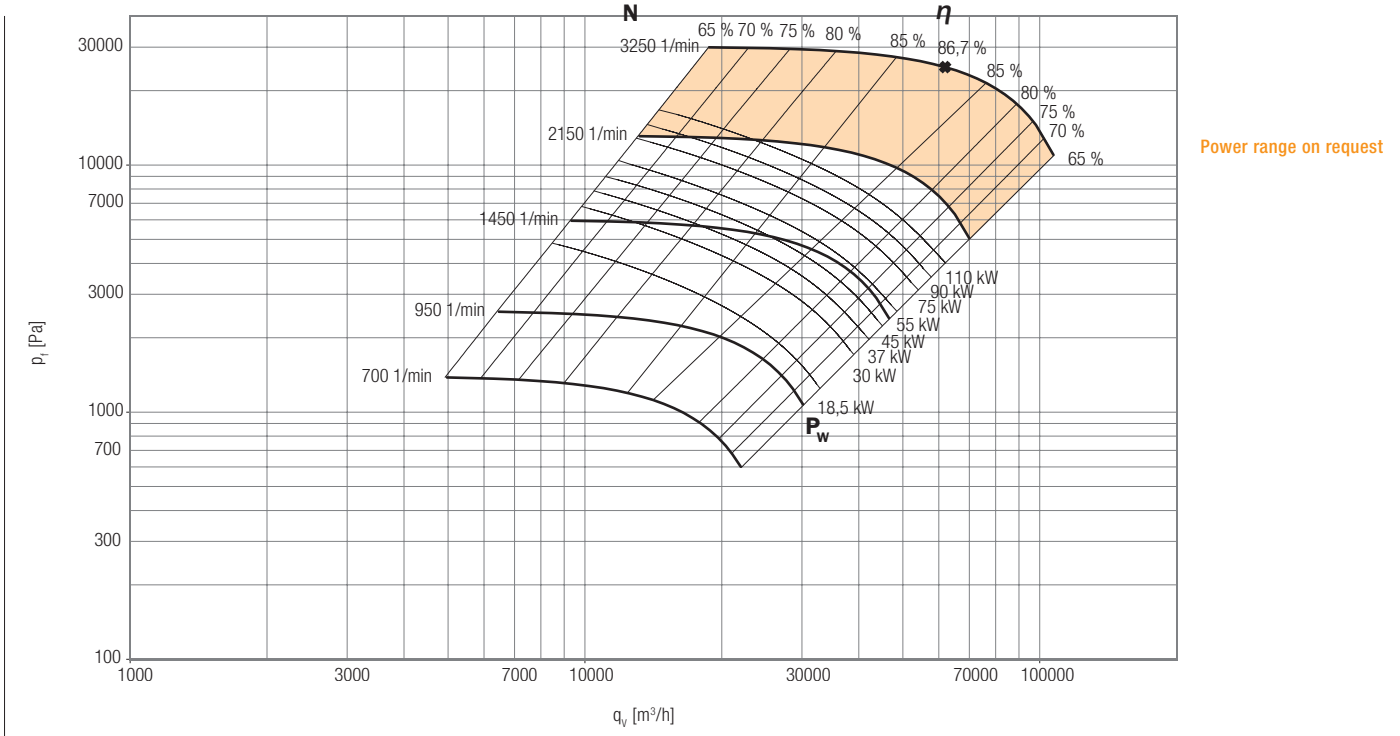
Order no. Fan	Motor power output [kW]	Speed [1/min]	Voltage [V] Connection	Nominal current [A]	Starting current [A]	Weight ca. [kg]	Order no. Z16	h* / h** [mm]	b [mm]	l [mm]
B110514	30	1470	400/690 Δ/Y	54.4	386.2	889	B149937	1125/1305	1200	1788
B110515	37	1480	400/690 Δ/Y	66.2	496.5	931	B149937	1125/1305	1200	1858
B110516	45	1480	400/690 Δ/Y	80.1	608.8	963	B149948	1125/1305	1200	1823
B110517	55	1480	400/690 Δ/Y	96.7	705.9	1010	B149948	1125/1305	1200	1884
B110518	75	1480	400/690 Δ/Y	131.0	995.6	1142	B149948	1125/1305	1200	1956
B110519	90	1480	400/690 Δ/Y	157.0	1177.5	1238	B149948	1125/1305	1200	1956
B110520	110	1485	400/690 Δ/Y	191.0	1356.1	1581	B149948	1125/1305	1200	2189
B110521	18.5	980	400/690 Δ/Y	35.7	249.9	819	B149937	1125/1305	1200	1728
B110522	22	980	400/690 Δ/Y	41.6	291.2	849	B149937	1125/1305	1200	1728
B110523	30	980	400/690 Δ/Y	56.2	365.3	917	B149937	1125/1305	1200	1798
B110524	7.5	720	400/690 Δ/Y	16.9	101.4	703	B149937	1125/1305	1200	1601
B110525	11	730	400/690 Δ/Y	23.4	140.4	779	B149937	1125/1305	1200	1637
B110526	15	730	400/690 Δ/Y	32.1	211.9	847	B149937	1125/1305	1200	1728

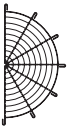
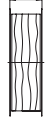
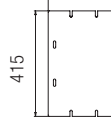





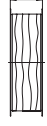

All indicated values for 400V/50Hz/3~.

h\*: Casing position: 0°, 90° h\*\*: Casing position: 270°

# HREK01-40-1250 Centrifugal fan

**Megatec** by Pollrich DLK



-   
**Z05** Protective grill suction side  
 Ord. no. B151072
  -   
**Z10** Flexible sleeve round  
 Ord. no. B141036
  -   
**Z13** Inspection hatch  
 Ord. no. B240512
  -   
**Z16** Rubber anti vibration mounts  
 (see below)
  -   
**Z18** Flange, round  
 Ord. no. B101450
  -   
**Z19** Flange, square  
 Ord. no. B101246
  -   
**Z45** Counter flange  
 Ord. no. B101391
  -   
**Z63** Transition piece, square to round  
 Ord. no. B101516
  -   
**Z81** Flexible sleeve square  
 Ord. no. B101318
  -   
**Z89** Condensate drain  
 Ord. no. B240506
- Full specifications for accessoires, see page 122

## HREK01-40-1250-B

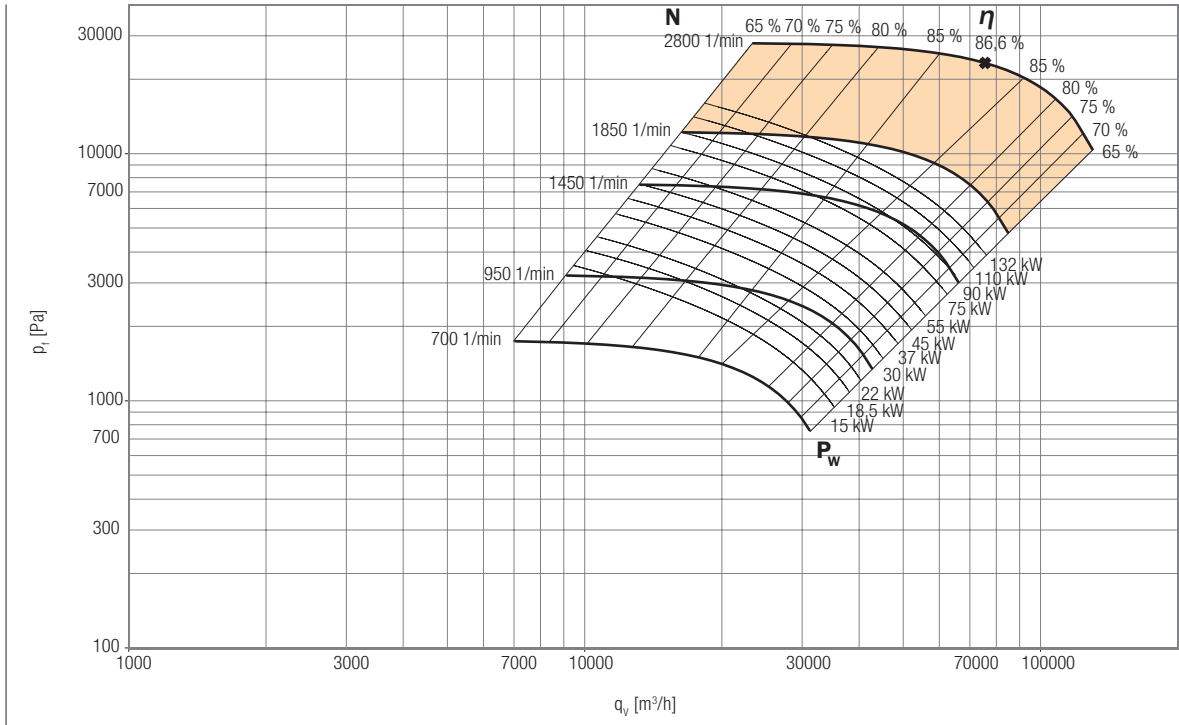
Order no. Fan	Motor power output [kW]	Speed [1/min]	Voltage [V] Connection	Nominal current [A]	Starting current [A]	Weight ca. [kg]	Order no. Z16	h* / h** [mm]	b [mm]	l [mm]
B110528	45	1480	400/690 Δ/Y	80.1	608.8	1197	B149948	1235/1435	1330	1959
B110529	55	1480	400/690 Δ/Y	96.7	705.9	1244	B149948	1235/1435	1330	2020
B110530	75	1480	400/690 Δ/Y	131.0	995.6	1376	B149948	1235/1435	1330	2092
B110531	90	1480	400/690 Δ/Y	157.0	1177.5	1472	B149948	1235/1435	1330	2092
B110532	110	1485	400/690 Δ/Y	191.0	1356.1	1815	B149948	1235/1435	1330	2325
B110533	30	980	400/690 Δ/Y	56.2	365.3	1153	B149948	1235/1435	1330	1959
B110534	37	980	400/690 Δ/Y	66.9	461.6	1229	B149948	1235/1435	1330	2020
B110535	45	980	400/690 Δ/Y	80.4	562.8	1351	B149948	1235/1435	1330	2092
B110536	18.5	730	400/690 Δ/Y	39.0	257.4	1075	B149948	1235/1435	1330	1849

All indicated values for 400V/50Hz/3~.

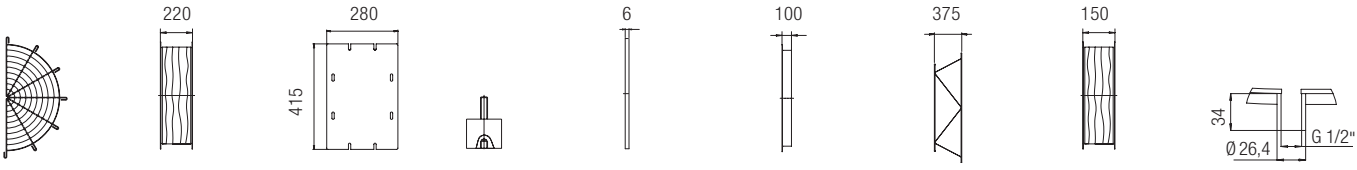
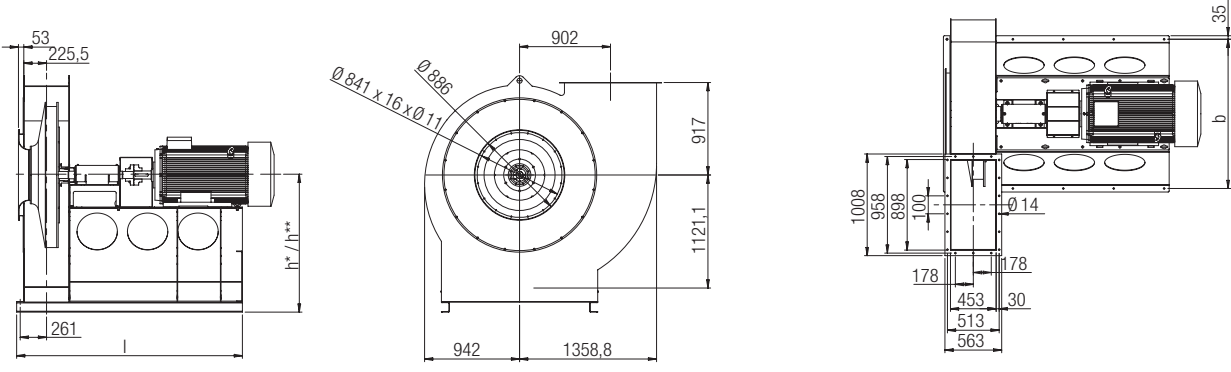
h\*: Casing position: 0°, 90°

h\*\*: Casing position: 270°

# HREK01-40-1400 Centrifugal fan



Power range on request



- Z05** Protective grill suction side  
Ord. no. B151092
- Z10** Flexible sleeve round  
Ord. no. B141037
- Z13** Inspection hatch  
Ord. no. B240512
- Z16** Rubber anti vibration mounts (see below)
- Z18** Flange, round  
Ord. no. B101451
- Z19** Flange, square  
Ord. no. B101247
- Z45** Counter flange  
Ord. no. B101392
- Z63** Transition piece, square to round  
Ord. no. B101517
- Z81** Flexible sleeve square  
Ord. no. B101319
- Z89** Condensate drain  
Ord. no. B240506

Full specifications for accessoires, see page 122

## HREK01-40-1400-B

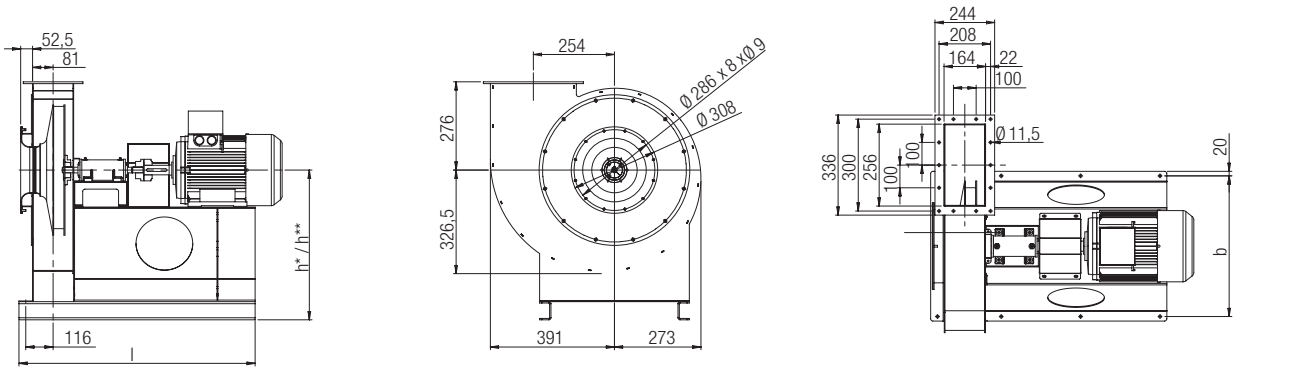
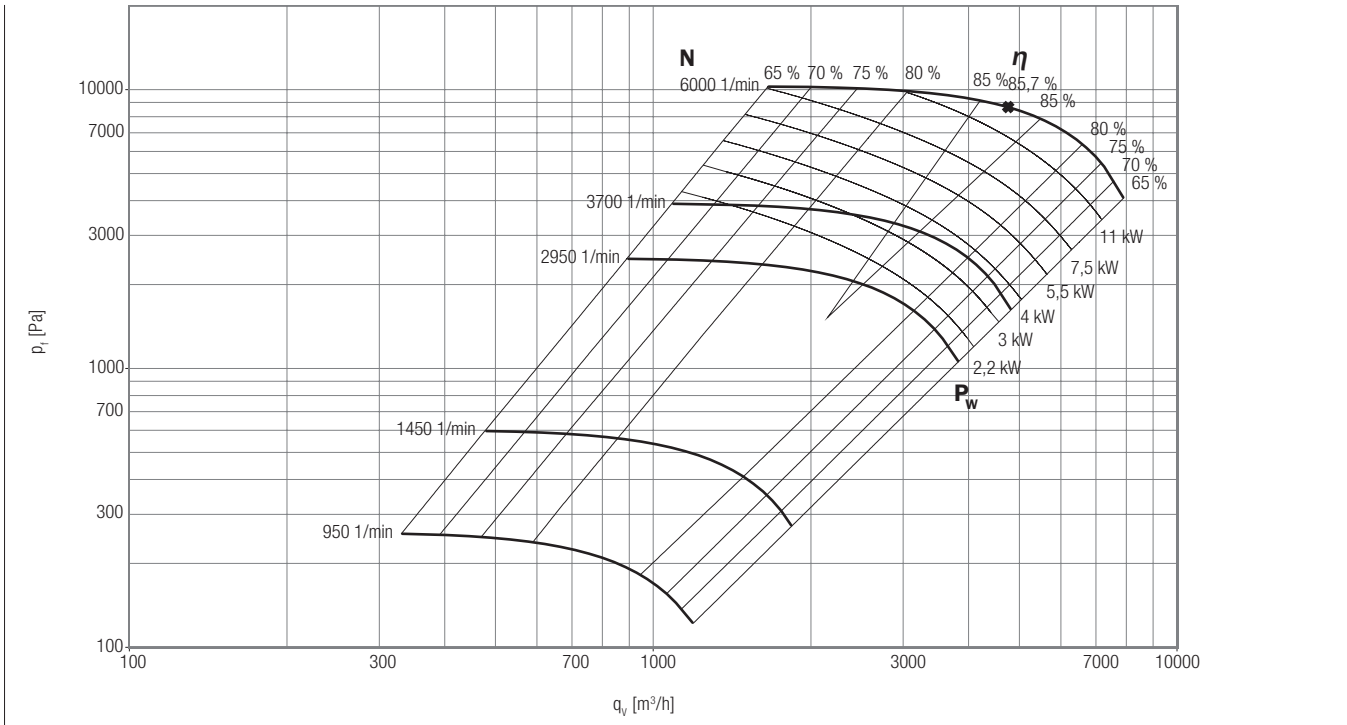
Order no.	Motor power output [kW]	Speed [1/min]	Voltage [V] Connection	Nominal current [A]	Starting current [A]	Weight ca. [kg]	Order no.	h* / h** [mm]	b [mm]	l [mm]
B110537	75	1480	400/690 Δ/Y	131.0	995.6	1738	B149948	1355/1680	1480	2163
B110538	90	1480	400/690 Δ/Y	157.0	1177.5	1834	B149948	1355/1680	1480	2163
B110539	110	1485	400/690 Δ/Y	191.0	1356.1	2177	B250291	1355/1680	1480	2396
B110540	132	1485	400/690 Δ/Y	228.0	1664.4	2264	B250291	1355/1680	1480	2396
B110541	18.5	980	400/690 Δ/Y	35.7	249.9	1397	B149948	1355/1680	1480	1930
B110542	22	980	400/690 Δ/Y	41.6	291.2	1447	B149948	1355/1680	1480	1960
B110543	30	980	400/690 Δ/Y	56.2	365.3	1515	B149948	1355/1680	1480	2030
B110544	37	980	400/690 Δ/Y	66.9	461.6	1591	B149948	1355/1680	1480	2091
B110545	45	980	400/690 Δ/Y	80.4	562.8	1713	B149948	1355/1680	1480	2163
B110546	55	980	400/690 Δ/Y	96.6	685.9	1768	B149948	1355/1680	1480	2163
B110547	75	985	400/690 Δ/Y	132.1	964.3	2142	B250291	1355/1680	1480	2362
B110548	15	730	400/690 Δ/Y	32.1	211.9	1424	B149948	1355/1680	1480	1940
B110549	18.5	730	400/690 Δ/Y	39.0	257.4	1440	B149948	1355/1680	1480	2010



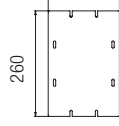


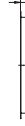
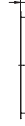
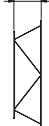


All indicated values for 400V/50Hz/3~.

h\*: Casing position: 0°, 90° h\*\*: Casing position: 270°

# HREK01-45-0400 Centrifugal fan

Megatec by Pollrich DLK



-   
**Z05** Protective grill suction side  
 Ord. no. B151080
  -   
**Z10** Flexible sleeve round  
 Ord. no. B140894
  -   
**Z13** Inspection hatch  
 Ord. no. B240514
  -   
**Z16** Rubber anti vibration mounts (see below)
  -   
**Z18** Flange, round  
 Ord. no. B101441
  -   
**Z19** Flange, square  
 Ord. no. B101226
  -   
**Z45** Counter flange  
 Ord. no. B101393
  -   
**Z63** Transition piece, square to round  
 Ord. no. B101518
  -   
**Z81** Flexible sleeve square  
 Ord. no. B101299
  -   
**Z89** Condensate drain  
 Ord. no. B240506
- Full specifications for accessoires, see page 122

**HREK01-45-0400-B**

Order no. Fan	Motor power output [kW]	Speed [1/min]	Voltage [V] Connection	Nominal current [A]	Starting current [A]	Weight ca. [kg]	Order no. Z16	h* / h** [mm]	b [mm]	l [mm]
B110550	3	2891	230/400 Δ/Y	5.9	46.9	142	B149380	530/595	460	1242
B110551	4	2914	400/690 Δ/Y	7.6	57.3	145	B149380	530/595	460	1242
B110552	5.5	2937	400/690 Δ/Y	10.6	79.5	162	B149380	530/595	460	1262
B110553	7.5	2940	400/690 Δ/Y	13.9	104.3	167	B149380	530/595	460	1262
B110554	11	2930	400/690 Δ/Y	19.9	151.2	210	B128059	530/595	460	1292
B110555	2.2	1440	230/400 Δ/Y	4.6	32.5	144	B149380	530/595	460	1242
B110556	3	1440	230/400 Δ/Y	6.2	43.3	150	B149380	530/595	460	1242

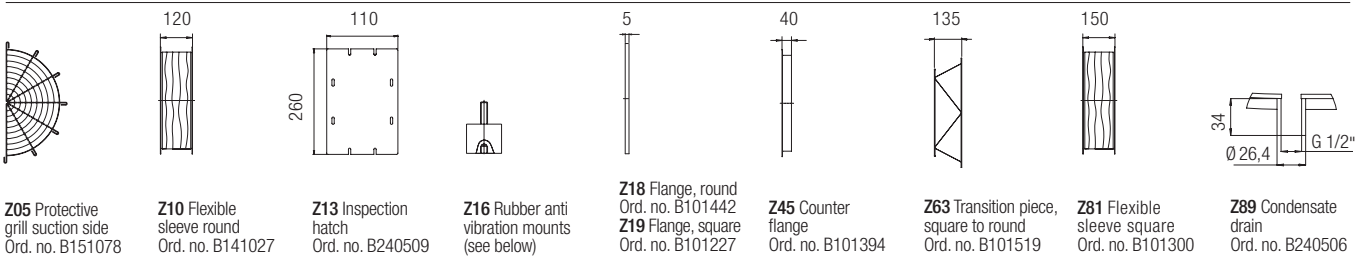
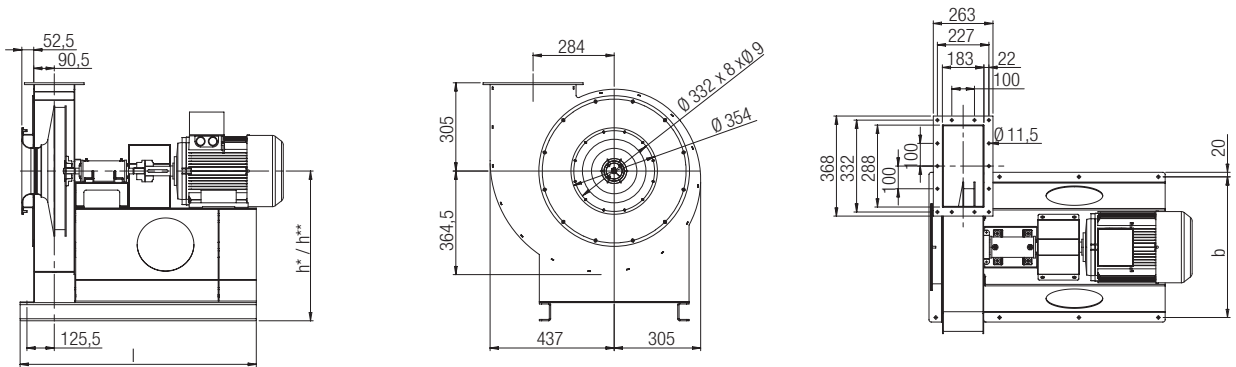
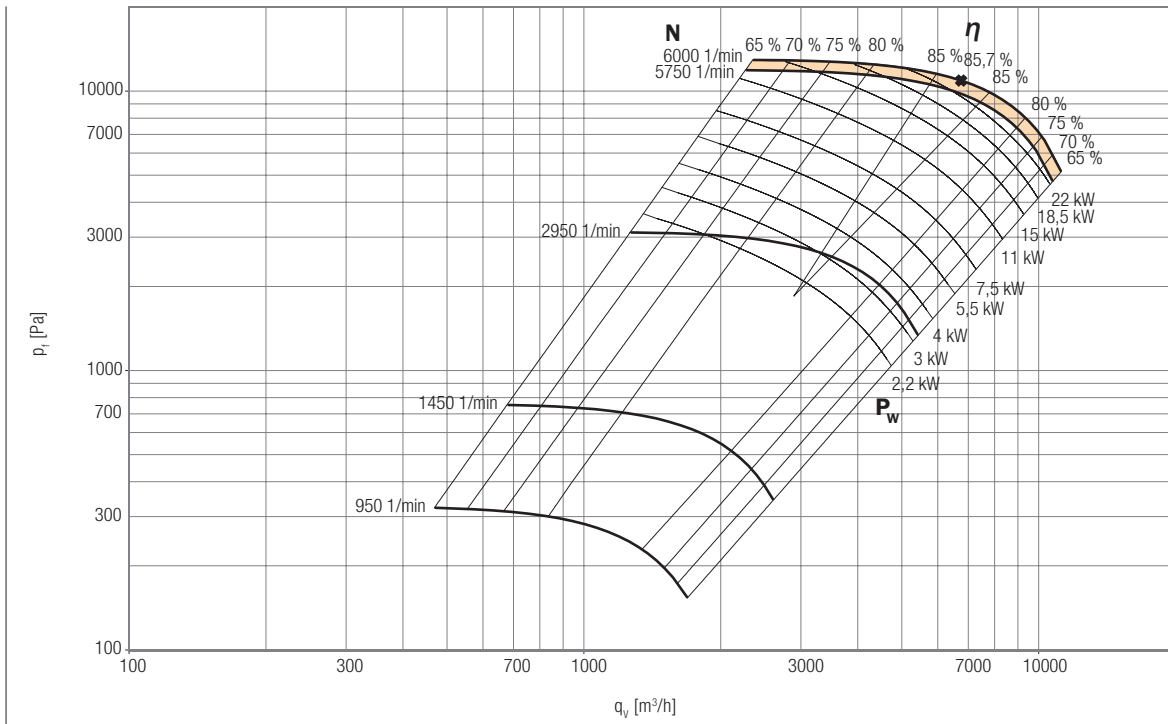
All indicated values for 400V/50Hz/3~.

h\*: Casing position: 0°, 90° h\*\*: Casing position: 270°



# HREK01-45-0450 Centrifugal fan

Megatec by Poltrich DLK



Full specifications for accessoires, see page 122

## HREK01-45-0450-B

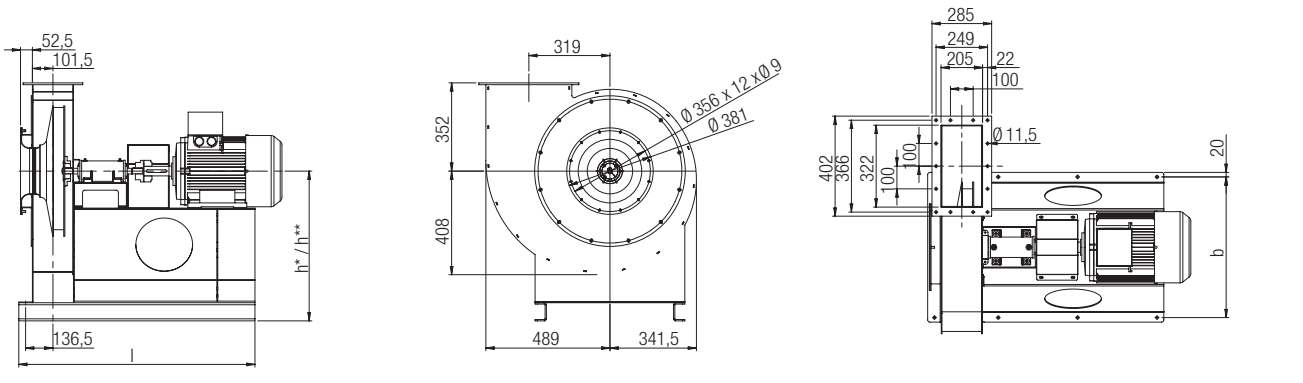
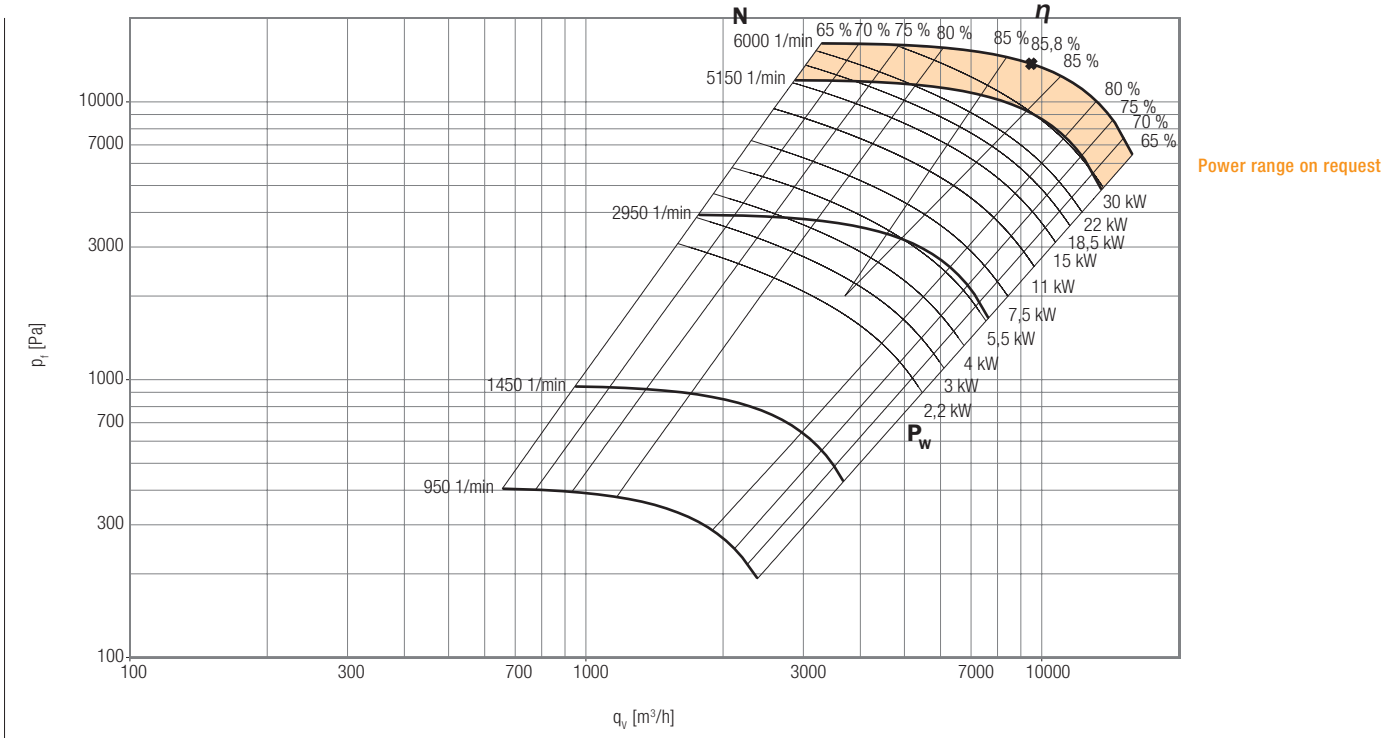
Order no. Fan	Motor power output [kW]	Speed [1/min]	Voltage [V] Connection	Nominal current [A]	Starting current [A]	Weight ca. [kg]	Order no. Z16	h* / h** [mm]	b [mm]	l [mm]
B110557	7.5	2940	400/690 Δ/Y	13.9	104.3	180	B149380	565/640	510	1169
B110558	11	2930	400/690 Δ/Y	19.9	151.2	223	B128059	565/640	510	1326
B110559	15	2930	400/690 Δ/Y	26.6	204.4	249	B128059	565/640	510	1326
B110560	18.5	2937	400/690 Δ/Y	33.0	244.2	279	B128059	565/640	510	1326
B110561	22	2940	400/690 Δ/Y	38.1	308.1	315	B149928	565/640	510	1326
B110562	2.2	1440	230/400 Δ/Y	4.6	32.5	157	B149380	565/640	510	1149
B110563	3	1440	230/400 Δ/Y	6.2	43.3	163	B149380	565/640	510	1149
B110564	4	1445	400/690 Δ/Y	8.1	60.9	168	B149380	565/640	510	1149
B110565	5.5	1455	400/690 Δ/Y	10.9	69.8	180	B149380	565/640	510	1169

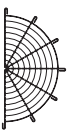

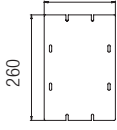




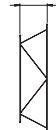


All indicated values for 400V/50Hz/3~.

h\*: Casing position: 0°, 90° h\*\*: Casing position: 270°

# HREK01-45-0500 Centrifugal fan

Megatec by Pollrich DLK



-   
**Z05** Protective grill suction side  
 Ord. no. B151076
  -   
**Z10** Flexible sleeve round  
 Ord. no. B141028
  -   
**Z13** Inspection hatch  
 Ord. no. B240509
  -   
**Z16** Rubber anti vibration mounts  
 (see below)
  -   
**Z18** Flange, round  
 Ord. no. B101443
  -   
**Z19** Flange, square  
 Ord. no. B101228
  -   
**Z45** Counter flange  
 Ord. no. B101395
  -   
**Z63** Transition piece, square to round  
 Ord. no. B101520
  -   
**Z81** Flexible sleeve square  
 Ord. no. B101301
  -   
**Z89** Condensate drain  
 Ord. no. B240506
- Full specifications for accessoires, see page 122

## HREK01-45-0500-B

Order no. Fan	Motor power output [kW]	Speed [1/min]	Voltage [V] Connection	Nominal current [A]	Starting current [A]	Weight ca. [kg]	Order no. Z16	h* / h** [mm]	b [mm]	l [mm]
B110566	11	2930	400/690 Δ/Y	19.9	151.2	238	B128059	610/690	560	1391
B110567	15	2930	400/690 Δ/Y	26.6	204.4	264	B128059	610/690	560	1391
B110568	18.5	2937	400/690 Δ/Y	33.0	244.2	294	B128059	610/690	560	1391
B110569	22	2940	400/690 Δ/Y	38.1	308.1	330	B149928	610/690	560	1391
B110570	30	2950	400/690 Δ/Y	53.4	416.5	387	B149928	610/690	560	1391
B110571	2.2	1440	230/400 Δ/Y	4.6	32.5	172	B149380	610/690	560	1176
B110572	3	1440	230/400 Δ/Y	6.2	43.3	178	B149380	610/690	560	1176
B110573	4	1445	400/690 Δ/Y	8.1	60.9	183	B149380	610/690	560	1176
B110574	5.5	1455	400/690 Δ/Y	10.9	69.8	195	B149380	610/690	560	1196
B110575	7.5	1455	400/690 Δ/Y	14.5	69.8	206	B128059	610/690	560	1196
B110576	11	1460	400/690 Δ/Y	22.1	144.9	280	B128059	610/690	560	1391

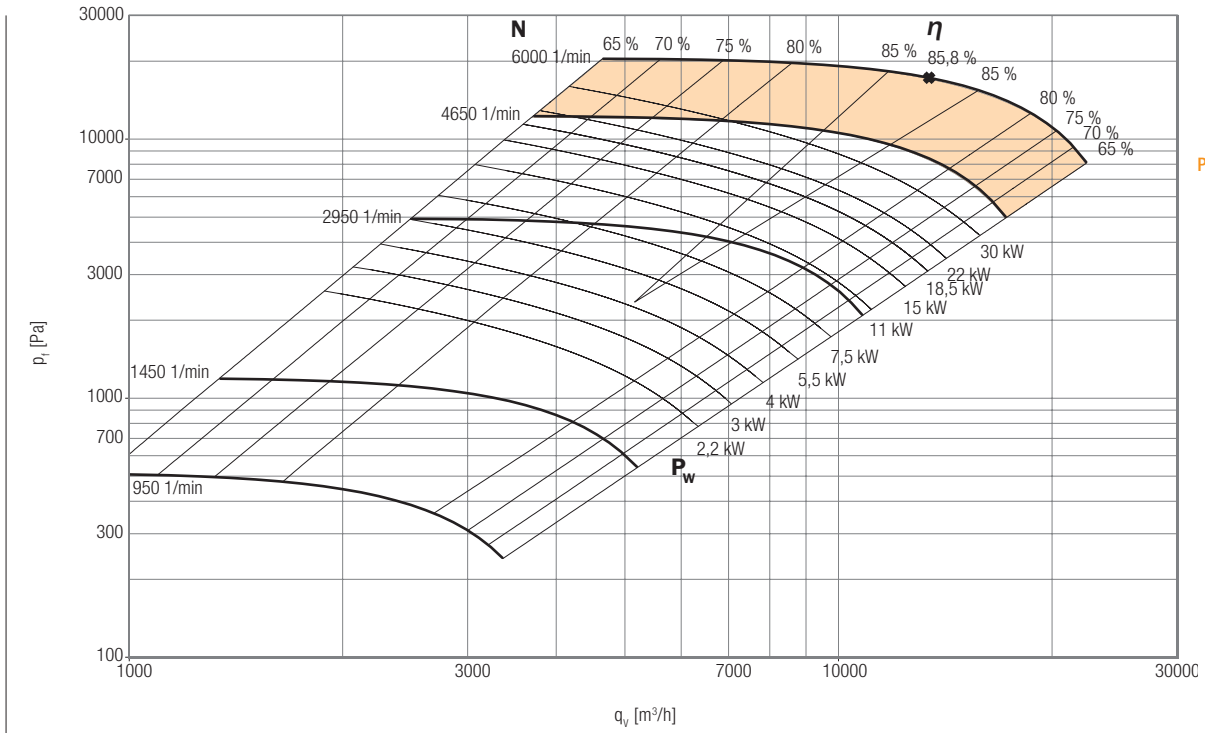
All indicated values for 400V/50Hz/3~.

h\*: Casing position: 0°, 90°

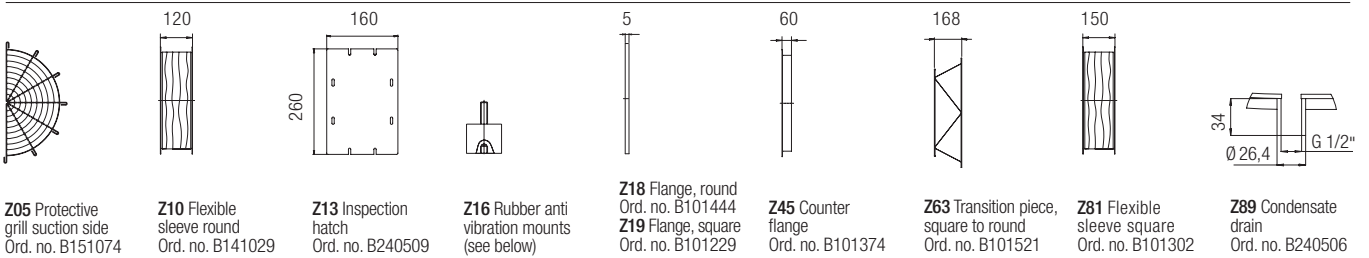
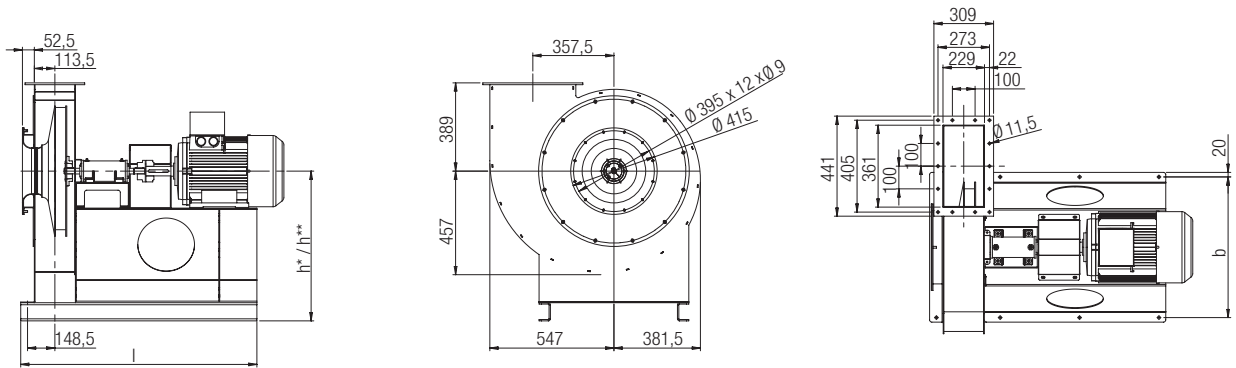
h\*\*: Casing position: 270°

# HREK01-45-0560 Centrifugal fan

Megatec by Poltrich DLK



Power range on request



Full specifications for accessoires, see page 122

## HREK01-45-0560-B

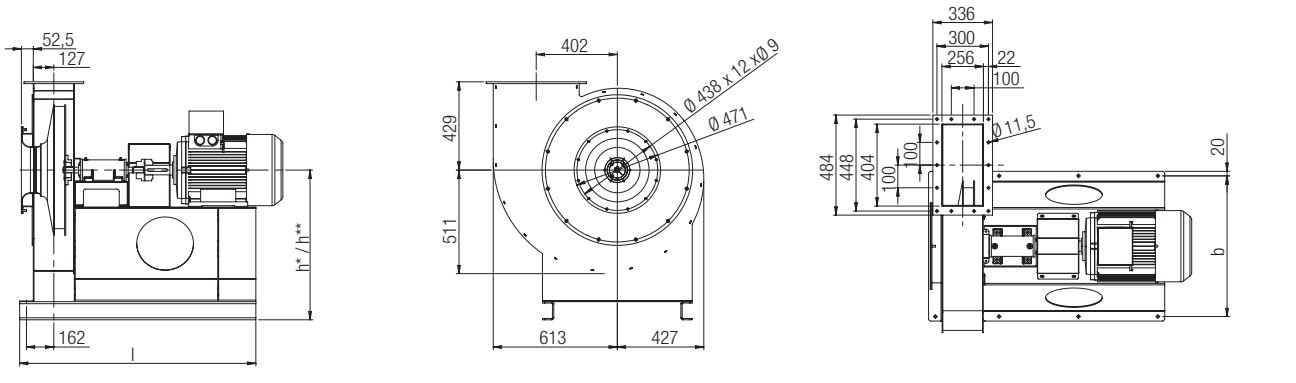
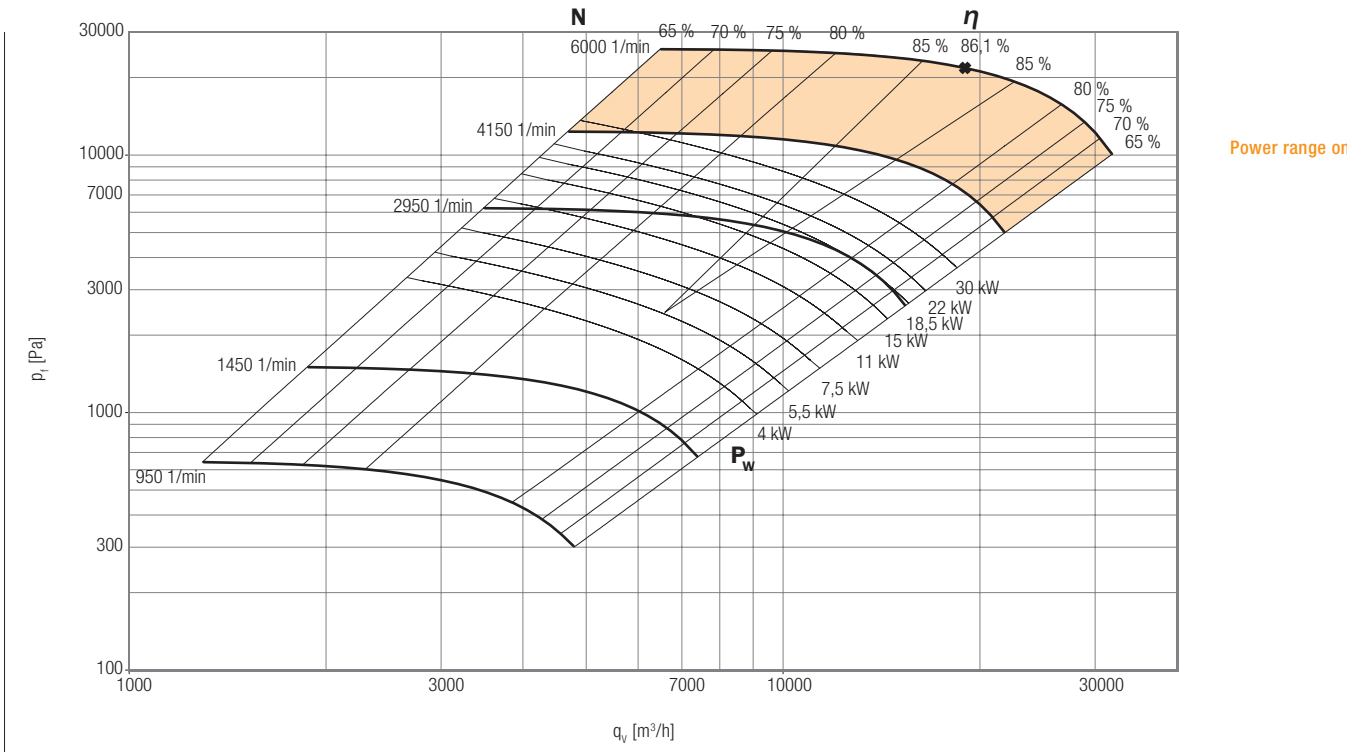
Order no. Fan	Motor power output [kW]	Speed [1/min]	Voltage [V] Connection	Nominal current [A]	Starting current [A]	Weight ca. [kg]	Order no. Z16	h* / h** [mm]	b [mm]	l [mm]
B110577	18.5	2937	400/690 Δ/Y	33.0	244.2	314	B149928	660/750	620	1415
B110578	22	2940	400/690 Δ/Y	38.1	308.1	350	B149928	660/750	620	1415
B110579	30	2950	400/690 Δ/Y	53.4	416.5	407	B149928	660/750	620	1415
B110580	2.2	1440	230/400 Δ/Y	4.6	32.5	192	B149380	660/750	620	1195
B110581	3	1440	230/400 Δ/Y	6.2	43.3	198	B149380	660/750	620	1195
B110582	4	1445	400/690 Δ/Y	8.1	60.9	203	B149380	660/750	620	1195
B110583	5.5	1455	400/690 Δ/Y	10.9	69.8	215	B128059	660/750	620	1215
B110584	7.5	1455	400/690 Δ/Y	14.5	69.8	226	B128059	660/750	620	1215
B110585	11	1460	400/690 Δ/Y	22.1	144.9	300	B149928	660/750	620	1415
B110586	15	1460	400/690 Δ/Y	29.6	210.0	277	B128059	660/750	620	1415
B110587	18.5	1470	400/690 Δ/Y	32.7	265.2	333	B149928	660/750	620	1415



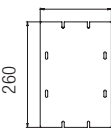


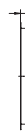

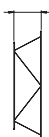

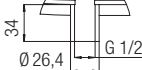
All indicated values for 400V/50Hz/3~.

h\*: Casing position: 0°, 90° h\*\*: Casing position: 270°

# HREK01-45-0630 Centrifugal fan

Megatec by Pollrich DLK



-   
**Z05** Protective grill suction side  
 Ord. no. B151061
  -   
**Z10** Flexible sleeve round  
 Ord. no. B141030
  -   
**Z13** Inspection hatch  
 Ord. no. B240509
  -   
**Z16** Rubber anti vibration mounts (see below)
  -   
**Z18** Flange, round  
 Ord. no. B101445
  -   
**Z19** Flange, square  
 Ord. no. B101230
  -   
**Z45** Counter flange  
 Ord. no. B101396
  -   
**Z63** Transition piece, square to round  
 Ord. no. B101522
  -   
**Z81** Flexible sleeve square  
 Ord. no. B101303
  -   
**Z89** Condensate drain  
 Ord. no. B240506
- Full specifications for accessoires, see page 122

## HREK01-45-0630-B

Order no. Fan	Motor power output [kW]	Speed [1/min]	Voltage [V] Connection	Nominal current [A]	Starting current [A]	Weight ca. [kg]	Order no. Z16	h* / h** [mm]	b [mm]	l [mm]
B110588	30	2950	400/690 Δ/Y	53.4	416.5	437	B149928	715/815	690	1430
B110589	4	1445	400/690 Δ/Y	8.1	60.9	231	B128059	715/815	690	1337
B110590	5.5	1455	400/690 Δ/Y	10.9	69.8	243	B128059	715/815	690	1357
B110591	7.5	1455	400/690 Δ/Y	14.5	69.8	254	B128059	715/815	690	1357
B110592	11	1460	400/690 Δ/Y	22.1	144.9	328	B149928	715/815	690	1387
B110593	15	1460	400/690 Δ/Y	29.6	210.8	305	B149928	715/815	690	1387
B110594	18.5	1470	400/690 Δ/Y	32.7	265.2	361	B149928	715/815	690	1387
B110595	22	1470	400/690 Δ/Y	38.4	301.5	378	B149928	715/815	690	1387

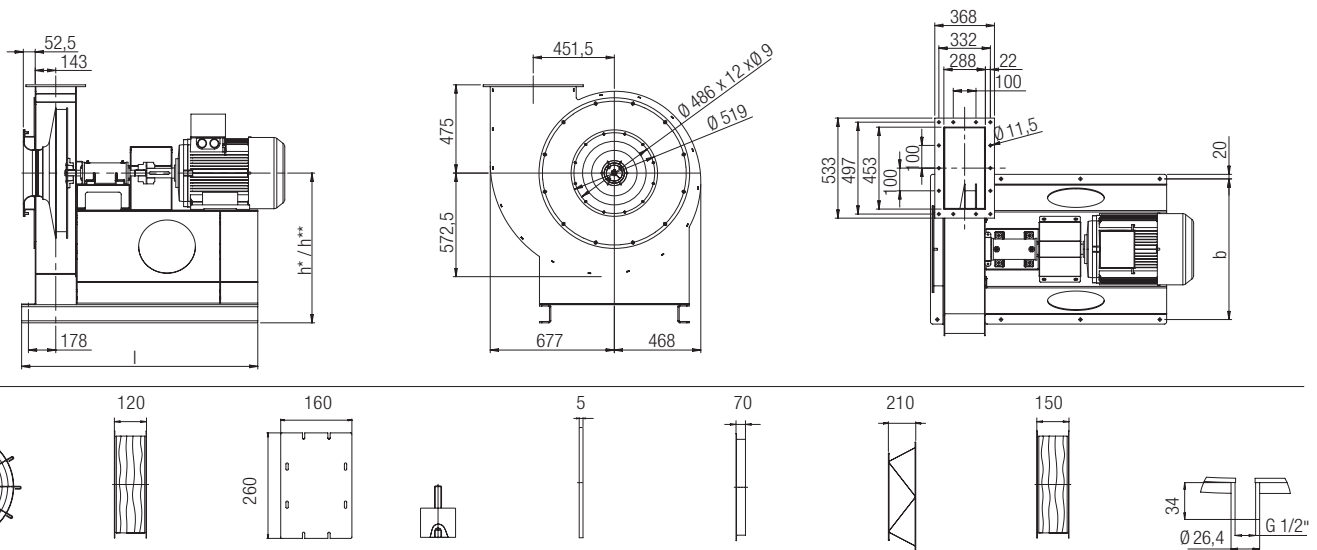
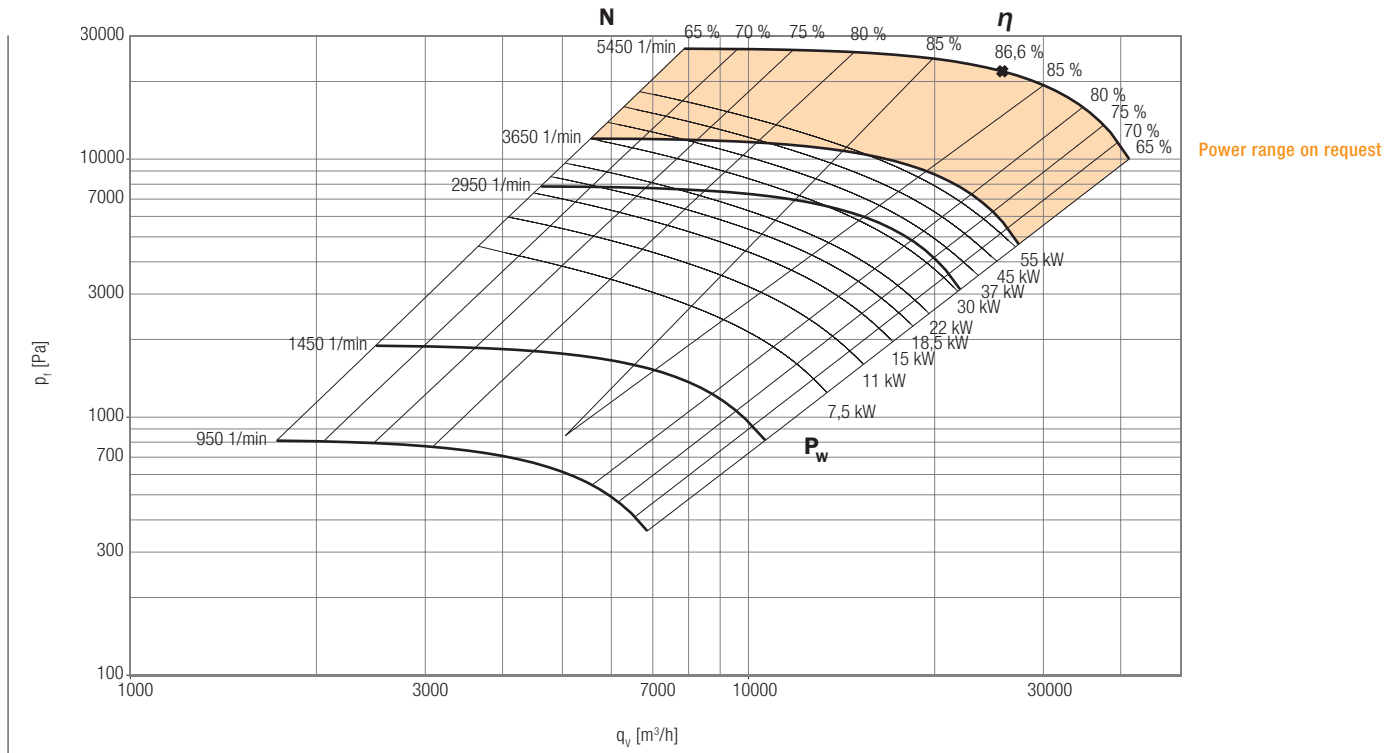
All indicated values for 400V/50Hz/3~.

h\*: Casing position: 0°, 90°

h\*\*: Casing position: 270°

# HREK01-45-0710 Centrifugal fan

Megatec by Poltrich DLK



**Z05** Protective grill suction side  
Ord. no. B151081

**Z10** Flexible sleeve round  
Ord. no. B141031

**Z13** Inspection hatch  
Ord. no. B240509

**Z16** Rubber anti vibration mounts (see below)

**Z18** Flange, round  
Ord. no. B101446  
**Z19** Flange, square  
Ord. no. B101231

**Z45** Counter flange  
Ord. no. B101397

**Z63** Transition piece, square to round  
Ord. no. B101523

**Z81** Flexible sleeve square  
Ord. no. B101304

**Z89** Condensate drain  
Ord. no. B240506

Full specifications for accessoires, see page 122

## HREK01-45-0710-B

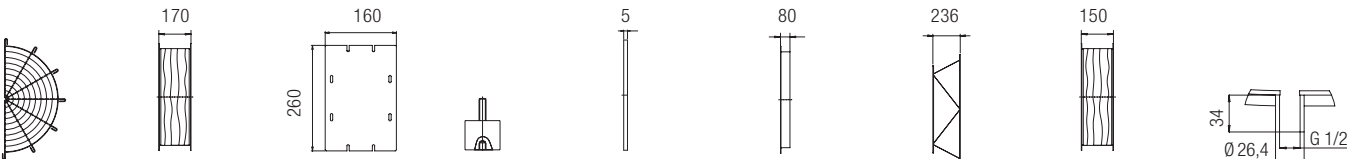
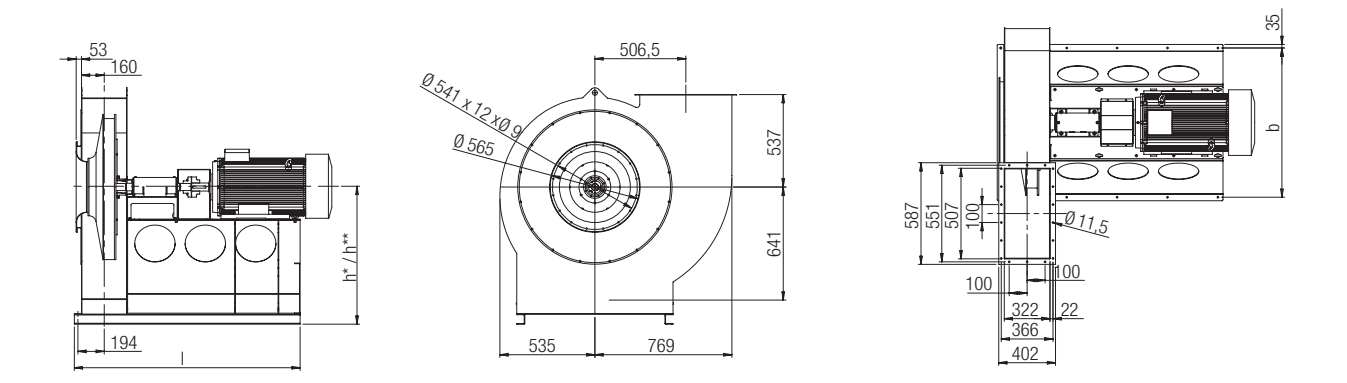
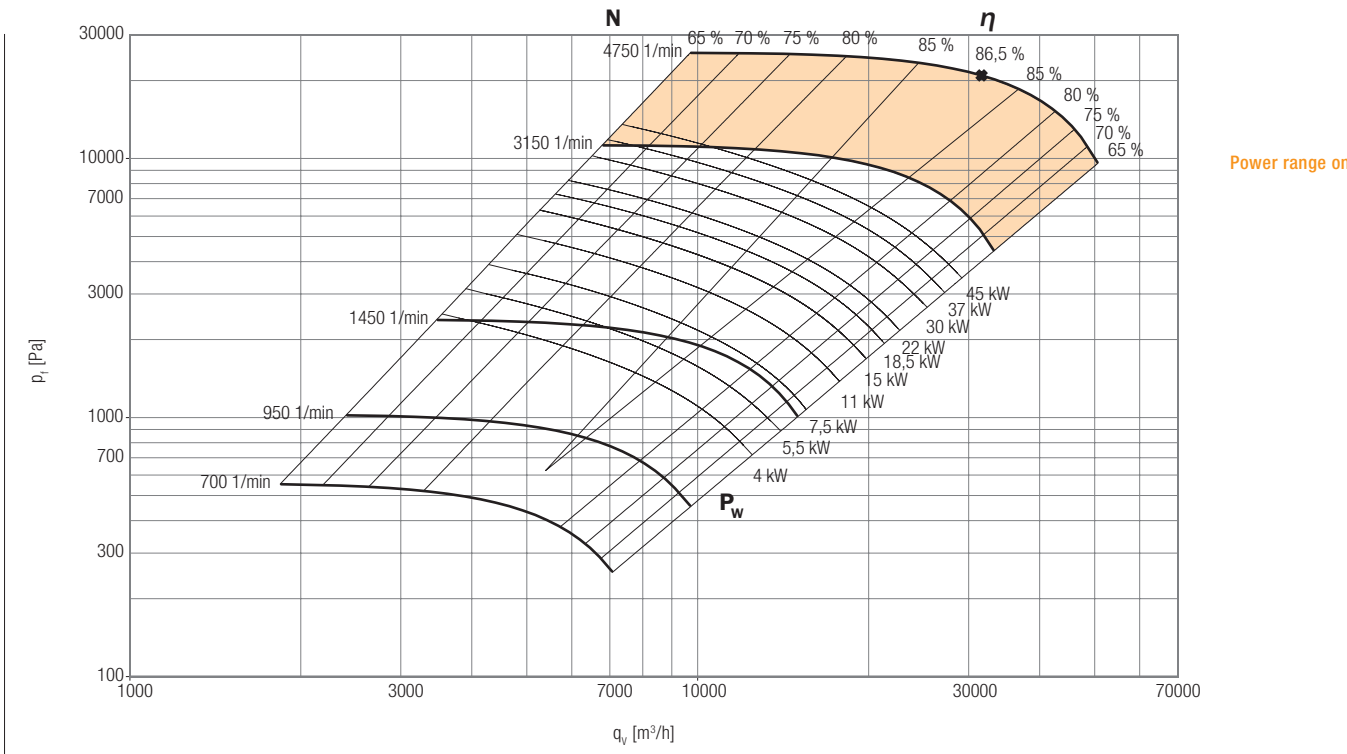
Order no. <b>Fan</b>	Motor power output [kW]	Speed [1/min]	Voltage [V] Connection	Nominal current [A]	Starting current [A]	Weight ca. [kg]	Order no. <b>Z16</b>	h* / h** [mm]	b [mm]	l [mm]
B110596	55	2965	400/690 Δ/Y	93.6	671.0	623	B149937	775/890	770	1654
B110597	7.5	1455	400/690 Δ/Y	14.5	69.8	298	B128059	775/890	770	1454
B110598	11	1460	400/690 Δ/Y	22.1	144.9	372	B149928	775/890	770	1484
B110599	15	1460	400/690 Δ/Y	29.6	210.8	349	B149928	775/890	770	1484
B110600	18.5	1470	400/690 Δ/Y	32.7	265.2	405	B149928	775/890	770	1484
B110601	22	1470	400/690 Δ/Y	38.4	301.5	422	B149928	775/890	770	1484
B110602	30	1470	400/690 Δ/Y	54.4	386.2	508	B149937	775/890	770	1629
B110603	37	1480	400/690 Δ/Y	66.2	496.5	550	B149937	775/890	770	1659
B110604	45	1480	400/690 Δ/Y	80.1	608.8	580	B149937	775/890	770	1659

All indicated values for 400V/50Hz/3~.

h\*: Casing position: 0°, 90° h\*\*: Casing position: 270°

# HREK01-45-0800 Centrifugal fan

Megatec by Pollrich DLK



- Z05** Protective grill suction side  
Ord. no. B151068
- Z10** Flexible sleeve round  
Ord. no. B141032
- Z13** Inspection hatch  
Ord. no. B240512
- Z16** Rubber anti vibration mounts (see below)
- Z18** Flange, round  
Ord. no. B101447
- Z19** Flange, square  
Ord. no. B101232
- Z45** Counter flange  
Ord. no. B101398
- Z63** Transition piece, square to round  
Ord. no. B101524
- Z81** Flexible sleeve square  
Ord. no. B101305
- Z89** Condensate drain  
Ord. no. B240506

Full specifications for accessoires, see page 122

## HREK01-45-0800-B

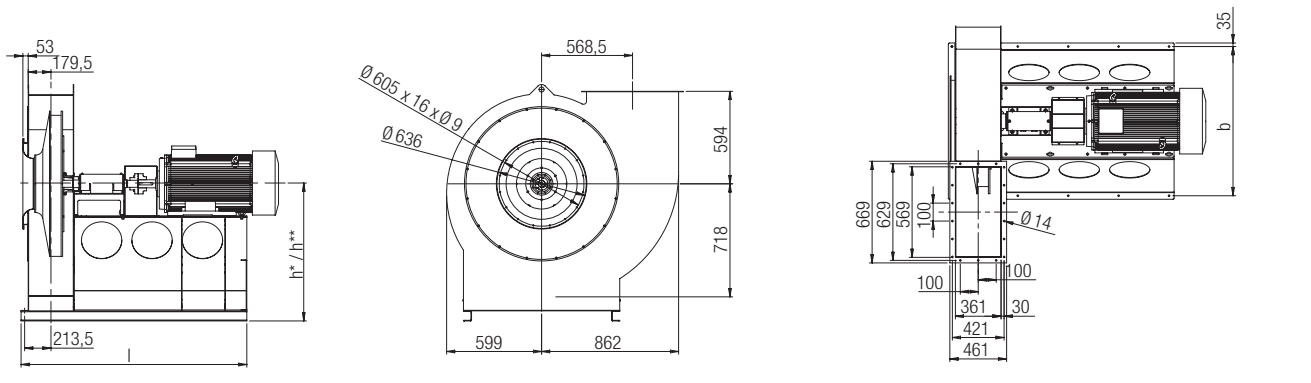
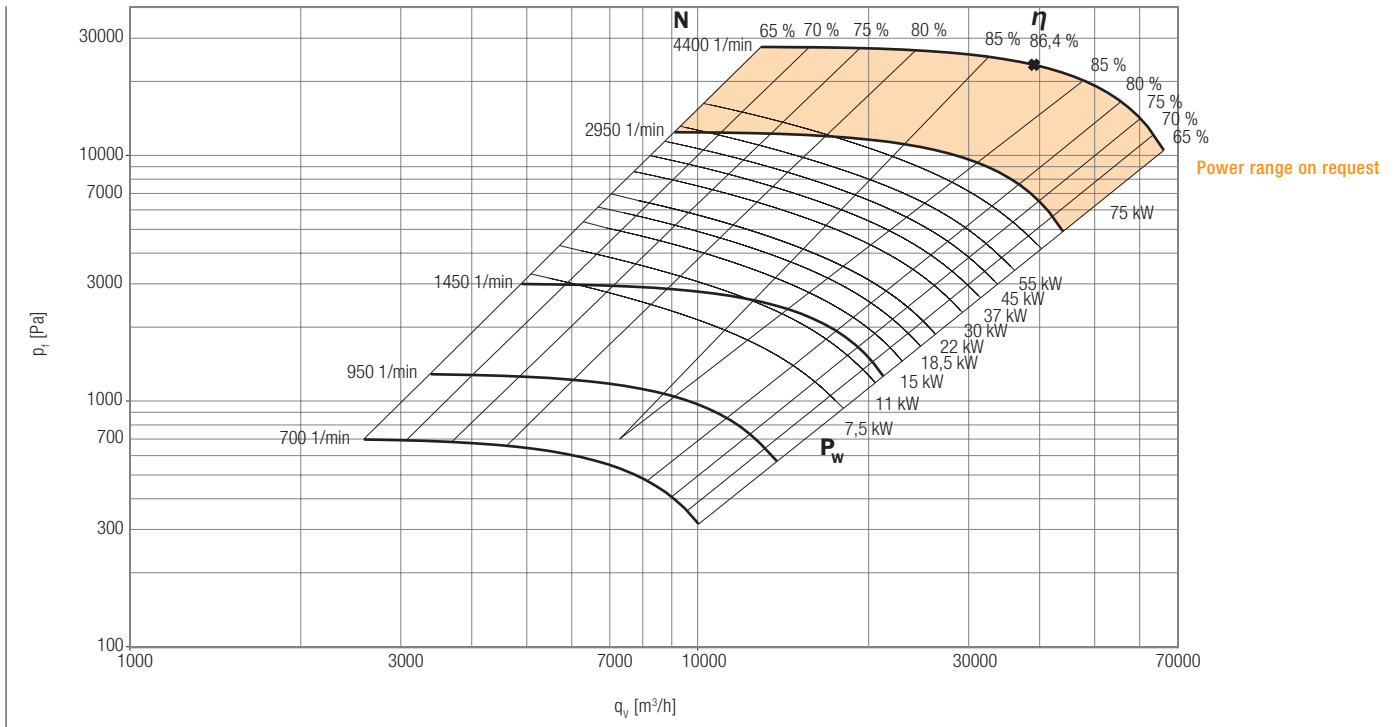
Order no. Fan	Motor power output [kW]	Speed [1/min]	Voltage [V] Connection	Nominal current [A]	Starting current [A]	Weight ca. [kg]	Order no. Z16	h* / h** [mm]	b [mm]	l [mm]
B110605	15	1460	400/690 Δ/Y	29.6	210.8	402	B149928	865/990	880	1509
B110606	18.5	1470	400/690 Δ/Y	32.7	265.2	458	B149928	865/990	880	1545
B110607	22	1470	400/690 Δ/Y	38.4	301.5	475	B149928	865/990	880	1545
B110608	30	1470	400/690 Δ/Y	54.4	386.2	561	B149928	865/990	880	1636
B110609	37	1480	400/690 Δ/Y	66.2	496.5	603	B149937	865/990	880	1706
B110610	45	1480	400/690 Δ/Y	80.1	608.8	633	B149937	865/990	880	1706
B110611	4	965	400/690 Δ/Y	9.0	44.8	339	B128059	865/990	880	1332
B110612	5.5	965	400/690 Δ/Y	12.0	66.0	350	B128059	865/990	880	1332
B110613	7.5	970	400/690 Δ/Y	15.9	103.4	386	B128059	865/990	880	1514
B110614	11	970	400/690 Δ/Y	22.1	171.8	436	B149928	865/990	880	1514
B110615	15	975	400/690 Δ/Y	29.8	190.7	488	B149928	865/990	880	1550

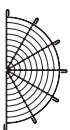
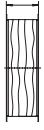
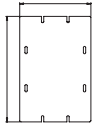
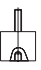




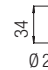
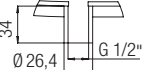
All indicated values for 400V/50Hz/3~.

h\*: Casing position: 0°, 90°    h\*\*: Casing position: 270°

# HREK01-45-0900 Centrifugal fan

Megatec by Poltrich DLK



-   
**Z05** Protective grill suction side  
 Ord. no. B151066
  -   
**Z10** Flexible sleeve round  
 Ord. no. B141033
  -   
**Z13** Inspection hatch  
 Ord. no. B240512
  -   
**Z16** Rubber anti vibration mounts (see below)
  -   
**Z18** Flange, round  
 Ord. no. B101448
  -   
**Z19** Flange, square  
 Ord. no. B101233
  -   
**Z45** Counter flange  
 Ord. no. B101378
  -   
**Z63** Transition piece, square to round  
 Ord. no. B101525
  -   
**Z81** Flexible sleeve square  
 Ord. no. B101306
  -   
**Z89** Condensate drain  
 Ord. no. B240506
- Full specifications for accessoires, see page 122

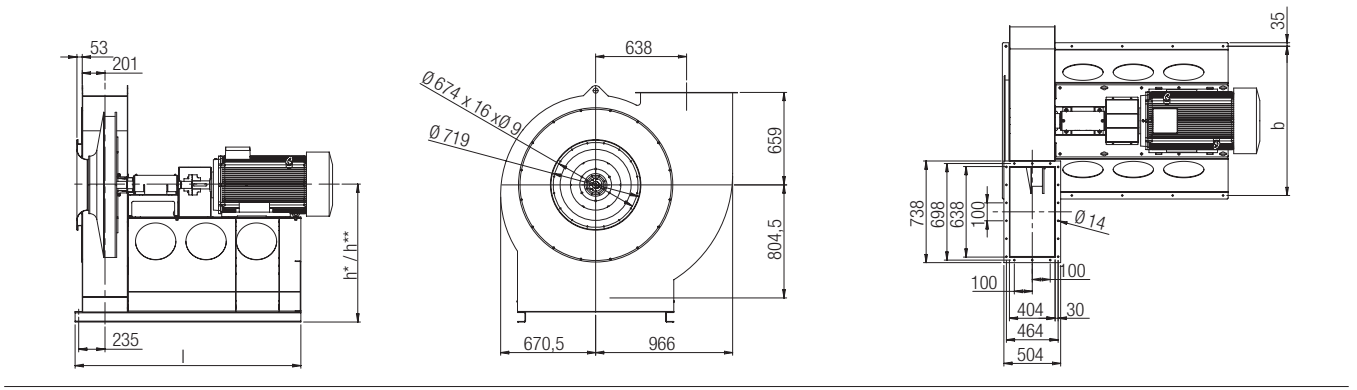
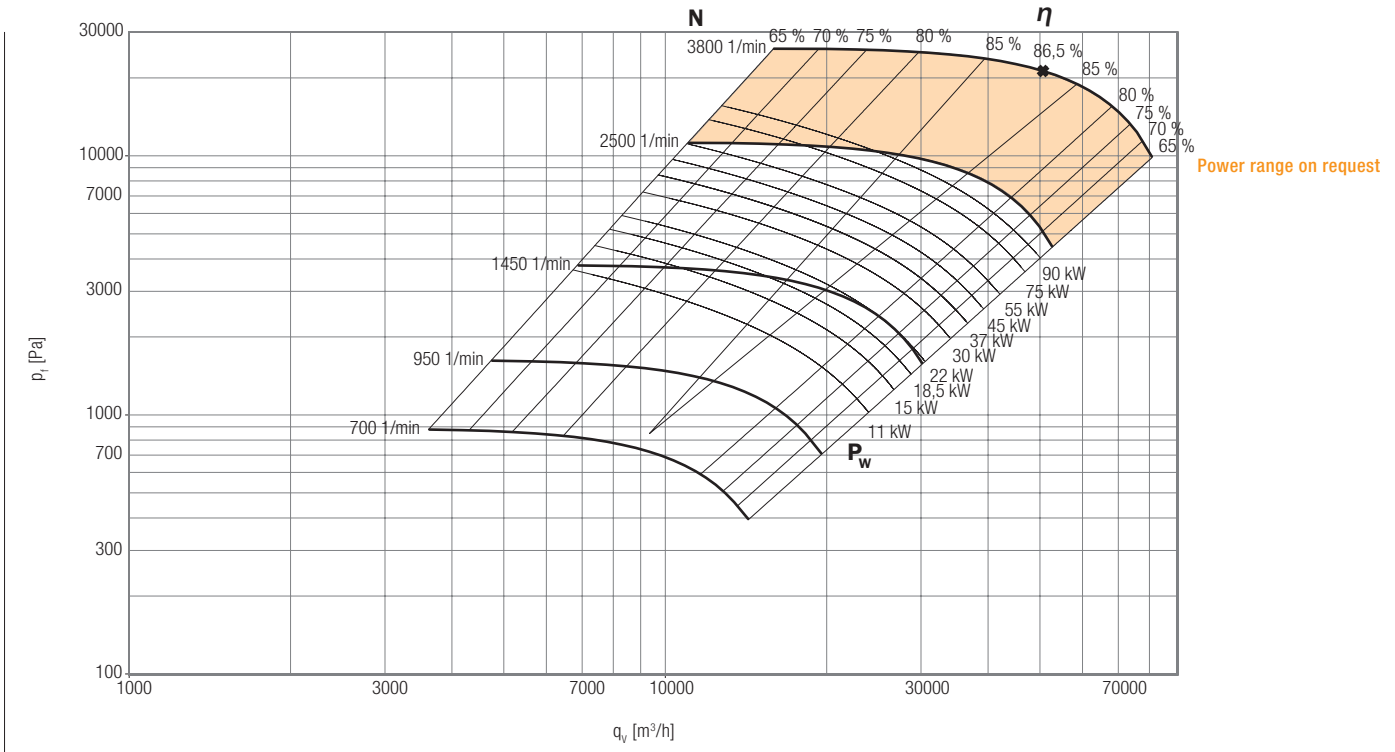
**HREK01-45-0900-B**

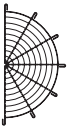
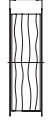
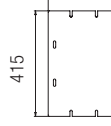




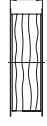
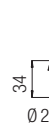

Order no. Fan	Motor power output [kW]	Speed [1/min]	Voltage [V] Connection	Nominal current [A]	Starting current [A]	Weight ca. [kg]	Order no. Z16	h* / h** [mm]	b [mm]	l [mm]
B110616	22	1470	400/690 Δ/Y	38.4	288.0	557	B149928	940/1085	980	1620
B110617	30	1470	400/690 Δ/Y	54.4	386.2	643	B149937	940/1085	980	1711
B110618	37	1480	400/690 Δ/Y	66.2	496.5	685	B149937	940/1085	980	1778
B110619	45	1480	400/690 Δ/Y	80.1	608.8	715	B149937	940/1085	980	1778
B110620	55	1480	400/690 Δ/Y	96.7	705.9	762	B149937	940/1085	980	1839
B110621	75	1480	400/690 Δ/Y	131.0	995.6	903	B149937	940/1085	980	1911
B110622	7.5	970	400/690 Δ/Y	15.9	103.4	469	B149928	940/1085	980	1584
B110623	11	970	400/690 Δ/Y	22.1	165.8	519	B149928	940/1085	980	1584
B110624	15	975	400/690 Δ/Y	29.8	190.7	571	B149928	940/1085	980	1620
B110625	18.5	980	400/690 Δ/Y	35.7	249.9	573	B149928	940/1085	980	1711
B110626	22	980	400/690 Δ/Y	41.6	291.2	603	B149937	940/1085	980	1711

All indicated values for 400V/50Hz/3~.

h\*: Casing position: 0°, 90° h\*\*: Casing position: 270°

# HREK01-45-1000 Centrifugal fan



-   
**Z05** Protective grill suction side  
 Ord. no. B151088
  -   
**Z10** Flexible sleeve round  
 Ord. no. B141035
  -   
**Z13** Inspection hatch  
 Ord. no. B240512
  -   
**Z16** Rubber anti vibration mounts  
 (see below)
  -   
**Z18** Flange, round  
 Ord. no. B101449
  -   
**Z19** Flange, square  
 Ord. no. B101234
  -   
**Z45** Counter flange  
 Ord. no. B101379
  -   
**Z63** Transition piece, square to round  
 Ord. no. B101526
  -   
**Z81** Flexible sleeve square  
 Ord. no. B101307
  -   
**Z89** Condensate drain  
 Ord. no. B240506
- Full specifications for accessoires, see page 122

## HREK01-45-1000-B

Order no. Fan	Motor power output [kW]	Speed [1/min]	Voltage [V] Connection	Nominal current [A]	Starting current [A]	Weight ca. [kg]	Order no. Z16	h* / h** [mm]	b [mm]	l [mm]
B110627	37	1480	400/690 Δ/Y	66.2	496.5	787	B149937	1025/1185	1080	1824
B110628	45	1480	400/690 Δ/Y	80.1	608.8	817	B149937	1025/1185	1080	1824
B110629	55	1480	400/690 Δ/Y	96.7	711.8	864	B149937	1025/1185	1080	1885
B110630	75	1480	400/690 Δ/Y	131.0	1003.2	996	B149948	1025/1185	1080	1957
B110631	90	1480	400/690 Δ/Y	157.0	1185.0	1092	B149948	1025/1185	1080	1957
B110632	15	975	400/690 Δ/Y	29.8	190.7	664	B149937	1025/1185	1080	1663
B110633	18.5	980	400/690 Δ/Y	35.7	254.8	666	B149937	1025/1185	1080	1754
B110634	22	980	400/690 Δ/Y	41.6	294.0	696	B149937	1025/1185	1080	1754
B110635	30	980	400/690 Δ/Y	56.2	365.3	764	B149937	1025/1185	1080	1824
B110636	37	980	400/690 Δ/Y	66.9	464.4	840	B149937	1025/1185	1080	1885
B110637	11	730	400/690 Δ/Y	23.4	142.8	626	B149937	1025/1185	1080	1663

All indicated values for 400V/50Hz/3~.

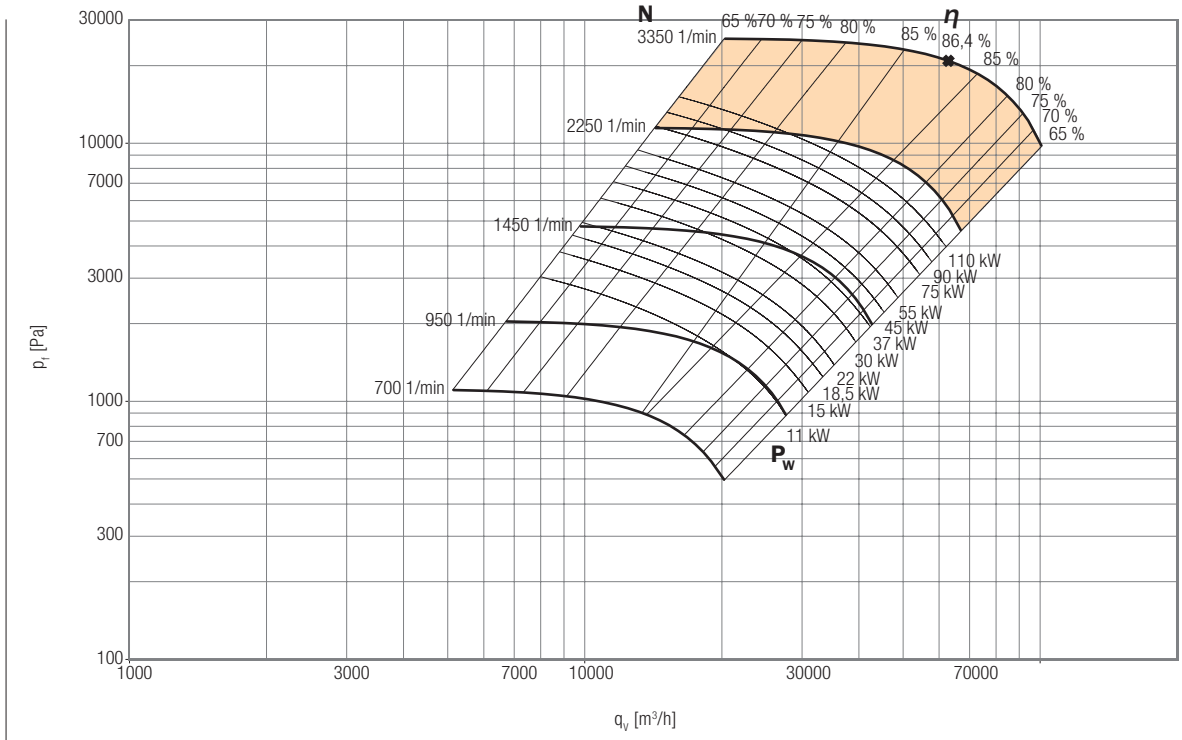
h\*: Casing position: 0°, 90°

h\*\*: Casing position: 270°

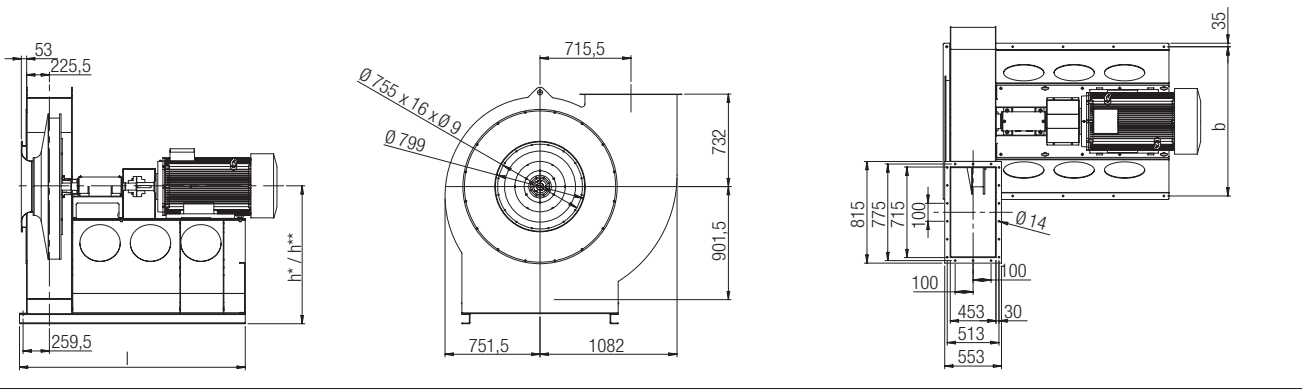



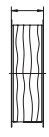
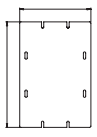




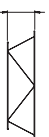

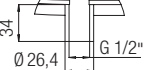
# HREK01-45-1120 Centrifugal fan

Megatec by Polrich DLK



Power range on request



-   
**Z05** Protective grill suction side  
 Ord. no. B151072
  -   
**Z10** Flexible sleeve round  
 Ord. no. B141036
  -   
**Z13** Inspection hatch  
 Ord. no. B240512
  -   
**Z16** Rubber anti vibration mounts (see below)
  -   
**Z18** Flange, round  
 Ord. no. B101450
  -   
**Z19** Flange, square  
 Ord. no. B101235
  -   
**Z45** Counter flange  
 Ord. no. B101399
  -   
**Z63** Transition piece, square to round  
 Ord. no. B101527
  -   
**Z81** Flexible sleeve square  
 Ord. no. B101440
  -   
**Z89** Condensate drain  
 Ord. no. B240506
- Full specifications for accessoires, see page 122

## HREK01-45-1120-B

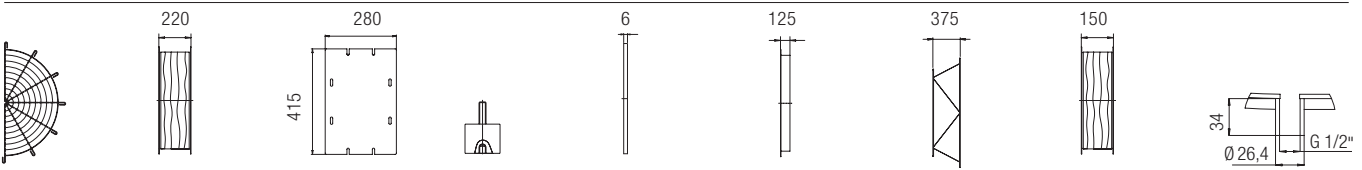
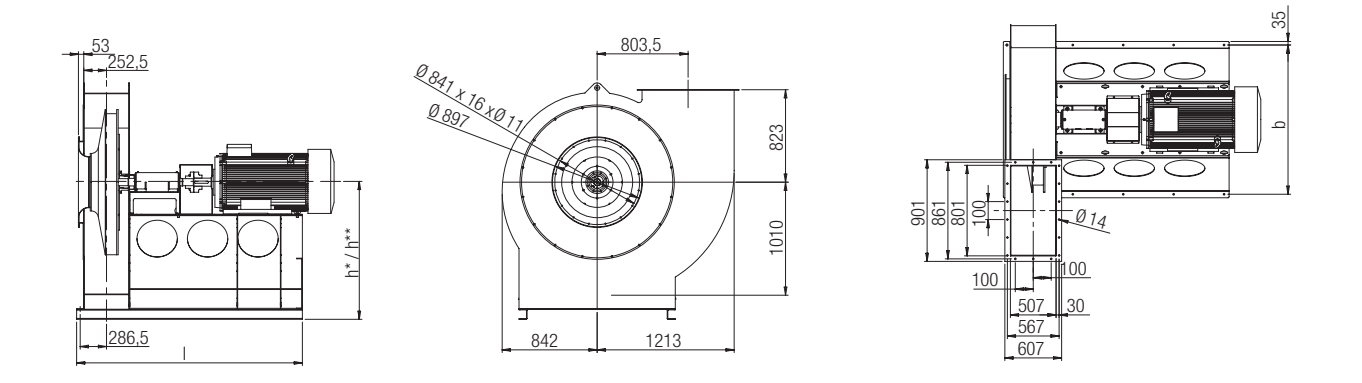
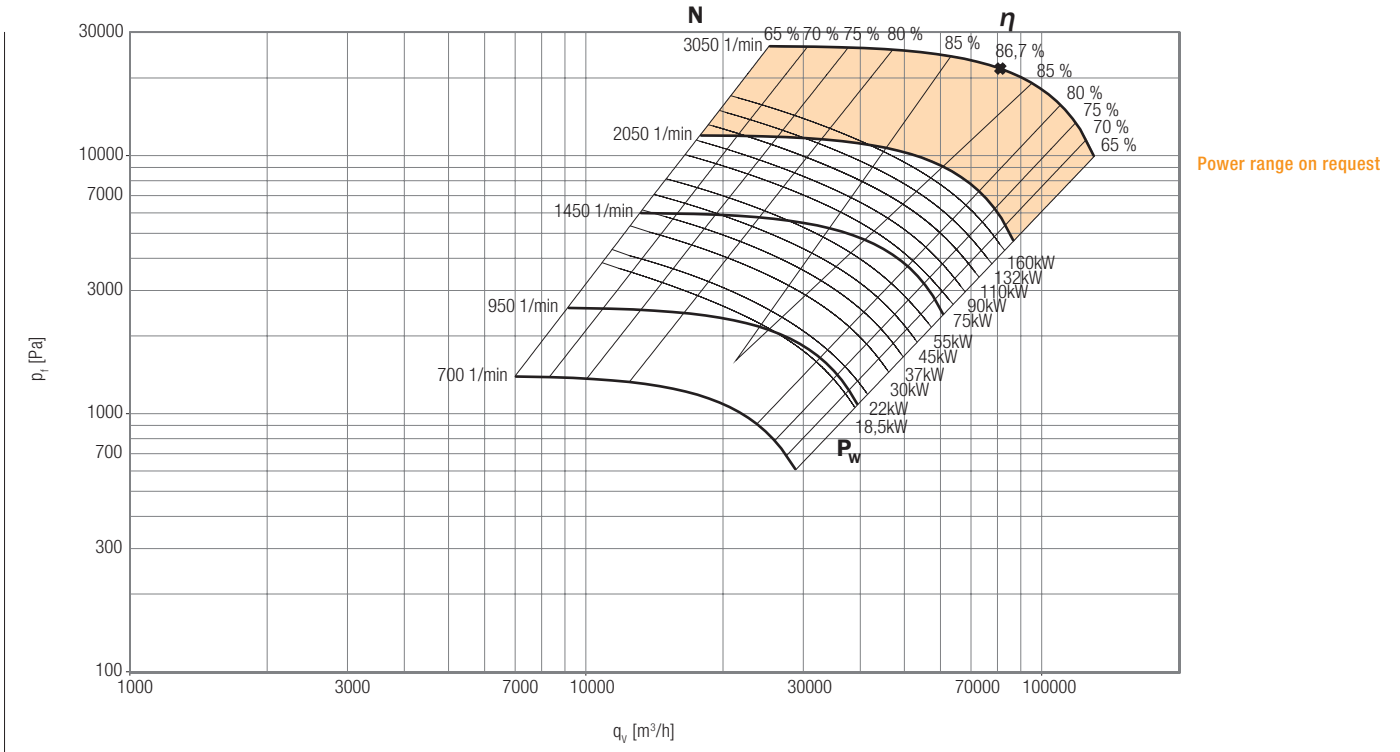
Order no. Fan	Motor power output [kW]	Speed [1/min]	Voltage [V] Connection	Nominal current [A]	Starting current [A]	Weight ca. [kg]	Order no. Z16	$h^* / h^{**}$ [mm]	b [mm]	l [mm]
B110638	75	1480	400/690 $\Delta/Y$	131.0	1003.2	515	B149948	1125/1305	1200	2048
B110639	90	1480	400/690 $\Delta/Y$	157.0	1185.0	611	B149948	1125/1305	1200	2048
B110640	110	1485	400/690 $\Delta/Y$	191.0	1356.1	950	B149948	1125/1305	1200	2281
B110641	18.5	980	400/690 $\Delta/Y$	35.7	254.8	200	B149937	1125/1305	1200	1820
B110642	22	980	400/690 $\Delta/Y$	41.6	294.0	228	B149937	1125/1305	1200	1820
B110643	30	980	400/690 $\Delta/Y$	56.2	365.3	296	B149937	1125/1305	1200	1890
B110644	37	980	400/690 $\Delta/Y$	66.9	464.4	380	B149948	1125/1305	1200	1951
B110645	45	980	400/690 $\Delta/Y$	80.4	570.5	490	B149948	1125/1305	1200	2023
B110646	55	980	400/690 $\Delta/Y$	96.6	704.3	545	B149948	1125/1305	1200	2023
B110647	75	985	400/690 $\Delta/Y$	132.1	978.2	915	B149948	1125/1305	1200	2256
B110648	11	730	400/690 $\Delta/Y$	23.4	142.8	160	B149937	1125/1305	1200	1729
B110649	15	730	400/690 $\Delta/Y$	32.1	213.8	228	B149937	1125/1305	1200	1820

All indicated values for 400V/50Hz/3~.

$h^*$ : Casing position: 0°, 90°     $h^{**}$ : Casing position: 270°

# HREK01-45-1250 Centrifugal fan

**Megatec** by Pollrich DLK



- Z05** Protective grill suction side  
Ord. no. B151092
  - Z10** Flexible sleeve round  
Ord. no. B141037
  - Z13** Inspection hatch  
Ord. no. B240512
  - Z16** Rubber anti vibration mounts (see below)
  - Z18** Flange, round  
Ord. no. B101451
  - Z19** Flange, square  
Ord. no. B101248
  - Z45** Counter flange  
Ord. no. B101400
  - Z63** Transition piece, square to round  
Ord. no. B101528
  - Z81** Flexible sleeve square  
Ord. no. B101320
  - Z89** Condensate drain  
Ord. no. B240506
- Full specifications for accessoires, see page 122

## HREK01-45-1250-B

Order no. Fan	Motor power output [kW]	Speed [1/min]	Voltage [V] Connection	Nominal current [A]	Starting current [A]	Weight ca. [kg]	Order no. Z16	h* / h** [mm]	b [mm]	l [mm]
B110650	110	1485	400/690 Δ/Y	191.0	1356.1	1815	B149948	1125/1305	1330	2428
B110651	132	1485	400/690 Δ/Y	228.0	1664.4	1902	B250291	1125/1305	1330	2428
B110652	160	1485	400/690 Δ/Y	273.0	2020.2	1972	B250291	1125/1305	1330	2428
B110653	30	980	400/690 Δ/Y	56.2	365.3	1153	B149948	1125/1305	1330	2062
B110654	37	980	400/690 Δ/Y	66.9	464.4	1229	B149948	1125/1305	1330	2123
B110655	45	980	400/690 Δ/Y	80.4	570.5	1351	B149948	1125/1305	1330	2195
B110656	55	980	400/690 Δ/Y	96.6	704.3	1406	B149948	1125/1305	1330	2195
B110657	75	985	400/690 Δ/Y	132.1	978.2	1780	B149948	1125/1305	1330	2428
B110658	90	985	400/690 Δ/Y	159.0	1136.0	1858	B250291	1125/1305	1330	2428
B110659	110	985	400/690 Δ/Y	194.0	1450.4	1930	B250291	1125/1305	1330	2428
B110660	18.5	730	400/690 Δ/Y	39.0	257.4	1075	B149948	1125/1305	1330	1952
B110661	22	730	400/690 Δ/Y	44.2	297.0	1098	B149948	1125/1305	1330	1952

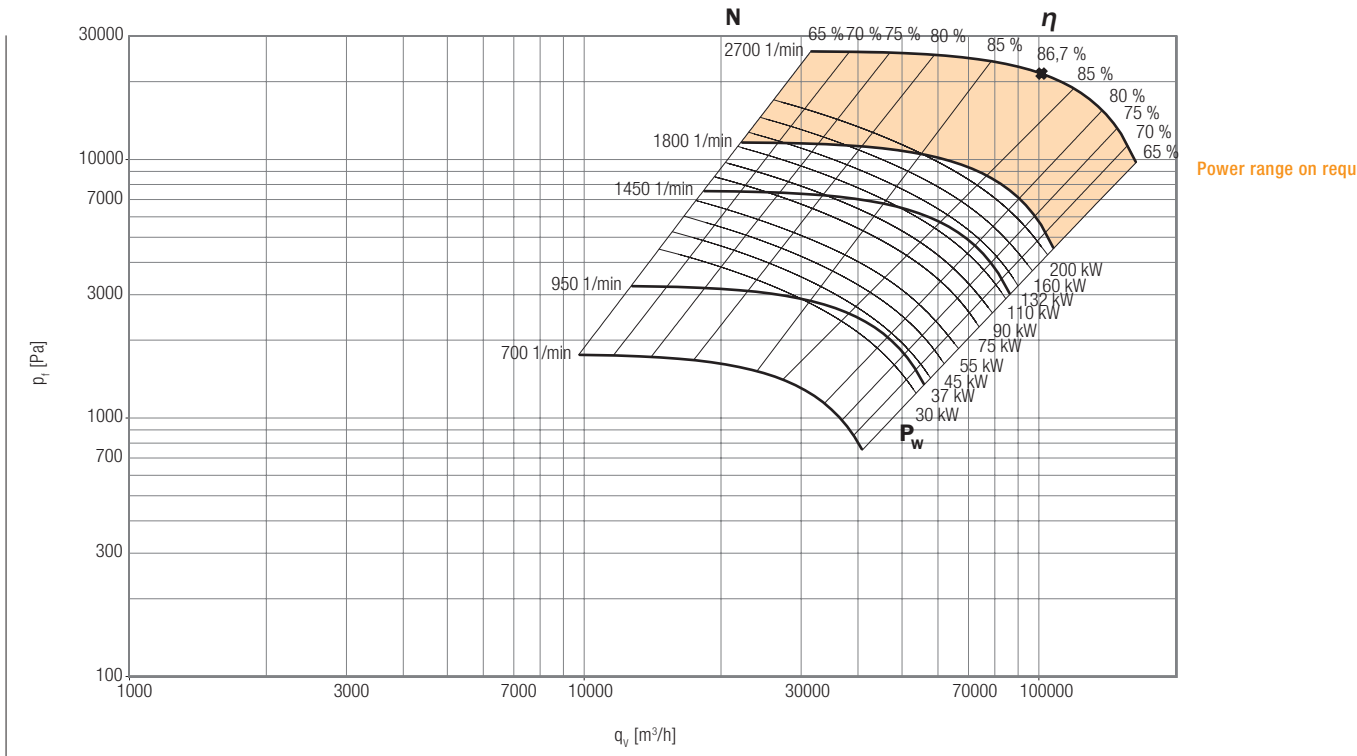
All indicated values for 400V/50Hz/3~.

h\*: Casing position: 0°, 90°

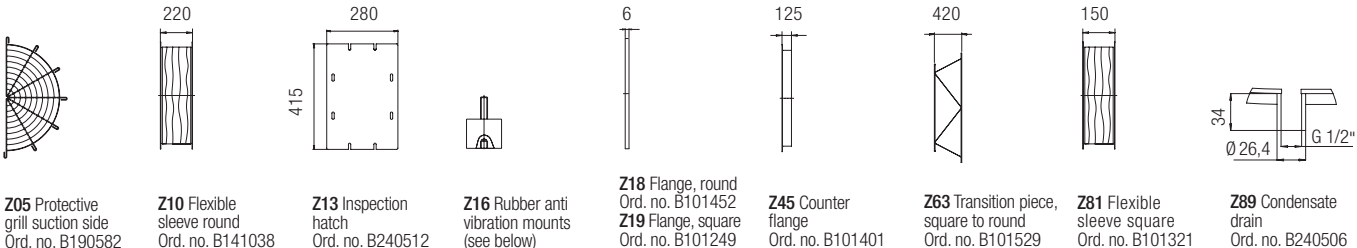
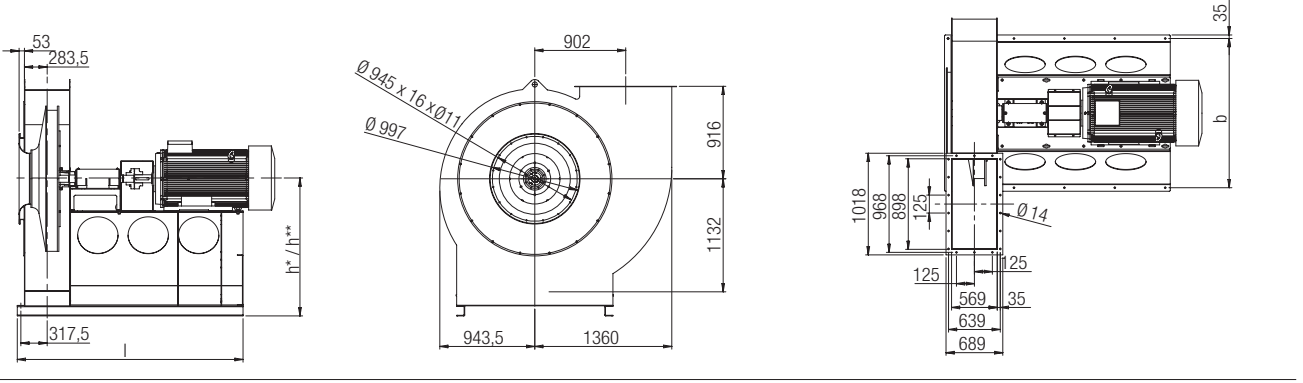
h\*\*: Casing position: 270°

# HREK01-45-1400 Centrifugal fan

Megatec by Poltrich DLK



Power range on request



Full specifications for accessoires, see page 122

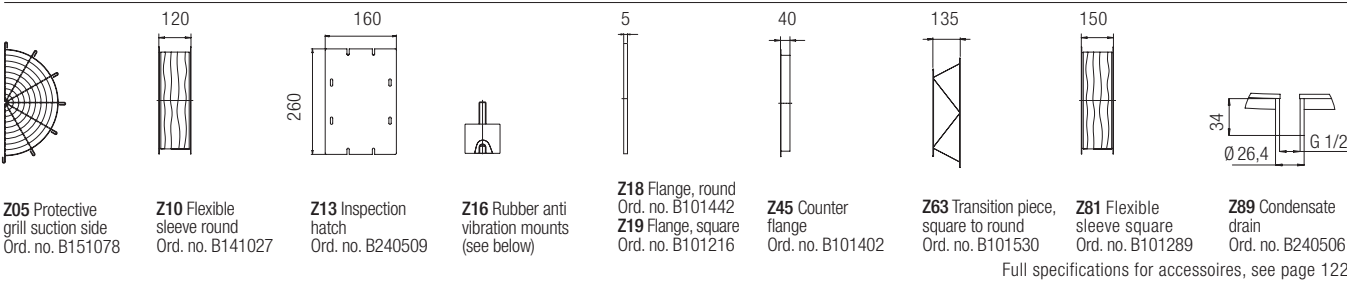
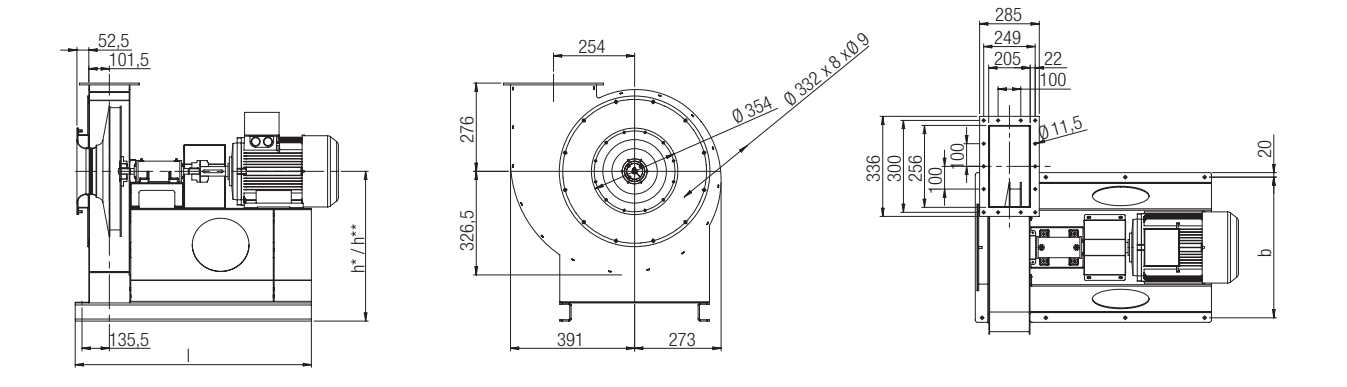
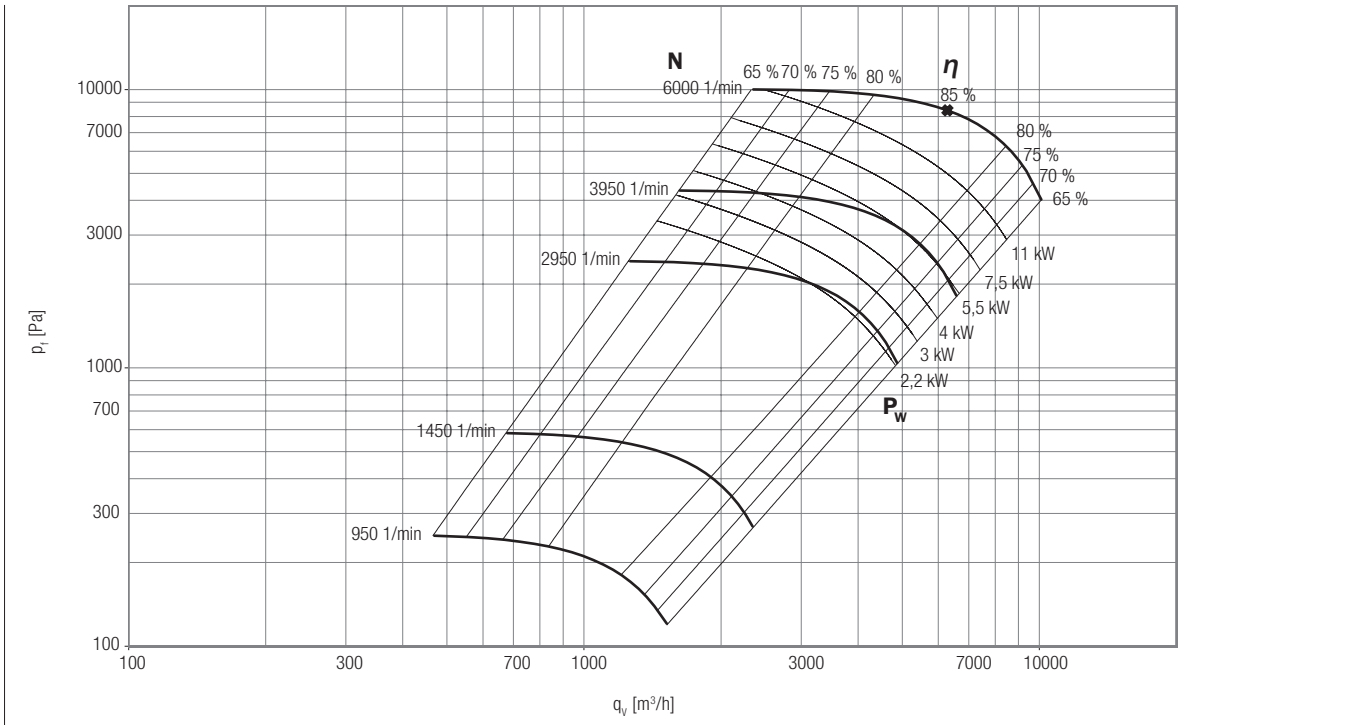
## HREK01-45-1400-B

Order no.	Motor power output [kW]	Speed [1/min]	Voltage [V] Connection	Nominal current [A]	Starting current [A]	Weight ca. [kg]	Order no.	h* / h** [mm]	b [mm]	l [mm]
B110662	200	1485	400/690 Δ/Y	341.0	2591.6	2566	B250291	1235/1435	1480	2692
B110663	75	985	400/690 Δ/Y	132.1	978.2	2142	B250291	1235/1435	1480	2512
B110664	90	985	400/690 Δ/Y	159.0	1136.0	2220	B250291	1235/1435	1480	2512
B110665	110	985	400/690 Δ/Y	194.0	1450.4	2292	B250291	1235/1435	1480	2512
B110666	132	985	400/690 Δ/Y	229.0	1755.6	2526	B250291	1235/1435	1480	2692
B110667	160	990	400/690 Δ/Y	274.0	2105.2	2895	B250291	1235/1435	1480	3004
B110668	200	990	400/690 Δ/Y	345.0	2691.0	2945	B250291	1235/1435	1480	3004
B110669	30	735	400/690 Δ/Y	60.2	401.3	1558	B149948	1235/1435	1480	2187
B110670	37	735	400/690 Δ/Y	72.6	488.4	1674	B149948	1235/1435	1480	2259
B110671	45	735	400/690 Δ/Y	88.0	589.4	1740	B149948	1235/1435	1480	2259
B110672	55	735	400/690 Δ/Y	104.0	693.0	2106	B250291	1235/1435	1480	2492
B110673	75	735	400/690 Δ/Y	141.0	943.8	2207	B250291	1235/1435	1480	2482
B110674	90	735	400/690 Δ/Y	167.0	1115.4	2262	B250291	1235/1435	1480	2482

All indicated values for 400V/50Hz/3~. h\*: Casing position: 0°, 90° h\*\*: Casing position: 270°

# HREK01-50-0400 Centrifugal fan

Megatec by Pollrich DLK



## HREK01-50-0400-B

Order no. Fan	Motor power output [kW]	Speed [1/min]	Voltage [V] Connection	Nominal current [A]	Starting current [A]	Weight ca. [kg]	Order no. Z16	$h^* / h^{**}$ [mm]	b [mm]	l [mm]
B110675	3	2891	230/400 $\Delta/Y$	5.9	46.9	142	B149380	530/595	460	1191
B110676	4	2914	400/690 $\Delta/Y$	7.6	57.3	145	B149380	530/595	460	1191
B110677	5.5	2937	400/690 $\Delta/Y$	10.6	79.5	162	B149380	530/595	460	1211
B110678	7.5	2940	400/690 $\Delta/Y$	13.9	104.3	167	B149380	530/595	460	1211
B110679	11	2930	400/690 $\Delta/Y$	19.9	151.2	210	B128059	530/595	460	1241
B110680	2.2	1440	230/400 $\Delta/Y$	4.6	32.5	144	B149380	530/595	460	1191
B110681	3	1440	230/400 $\Delta/Y$	6.2	43.3	150	B149380	530/595	460	1191

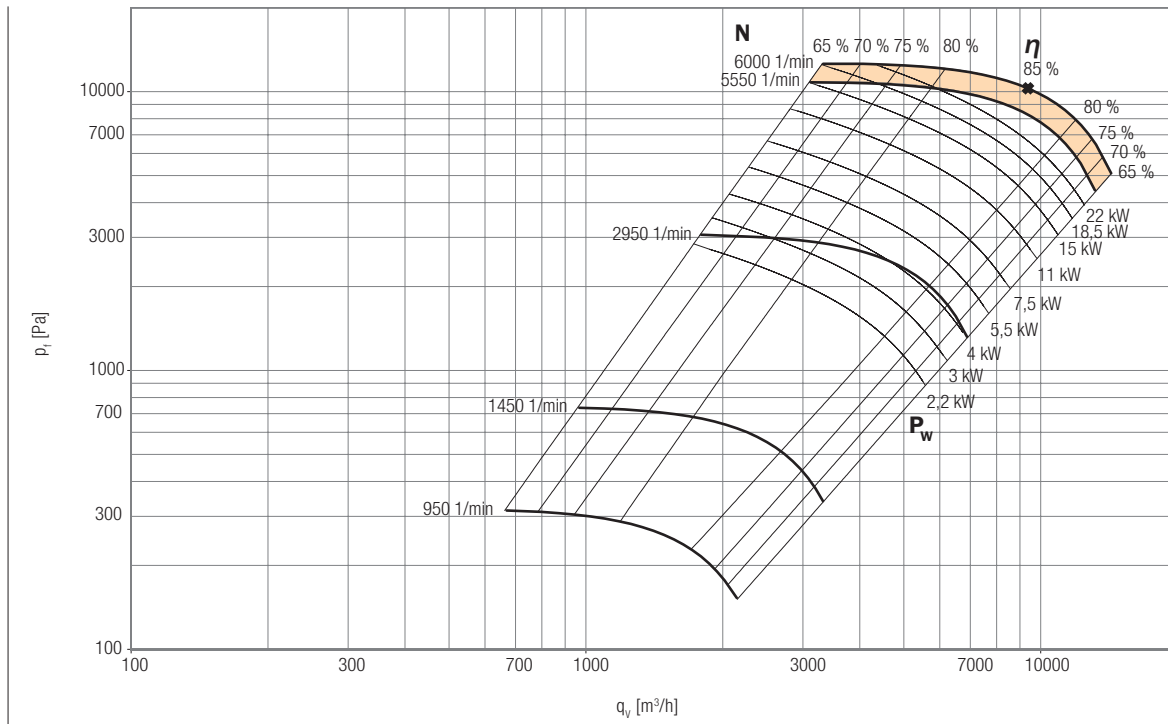
All indicated values for 400V/50Hz/3~.

$h^*$ : Casing position: 0°, 90°

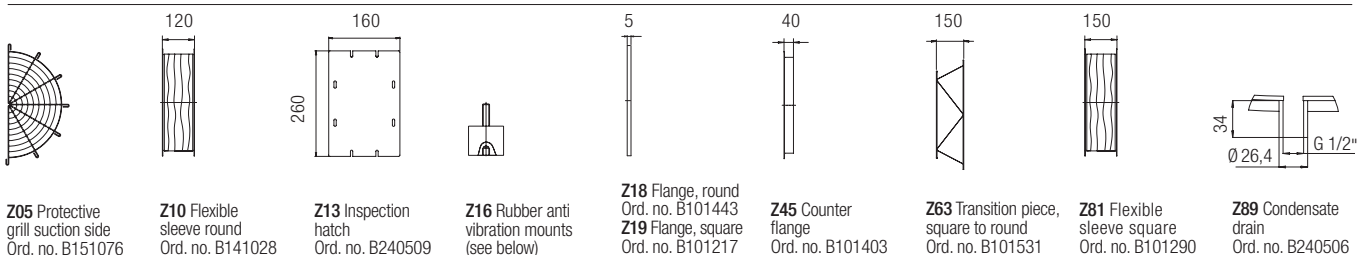
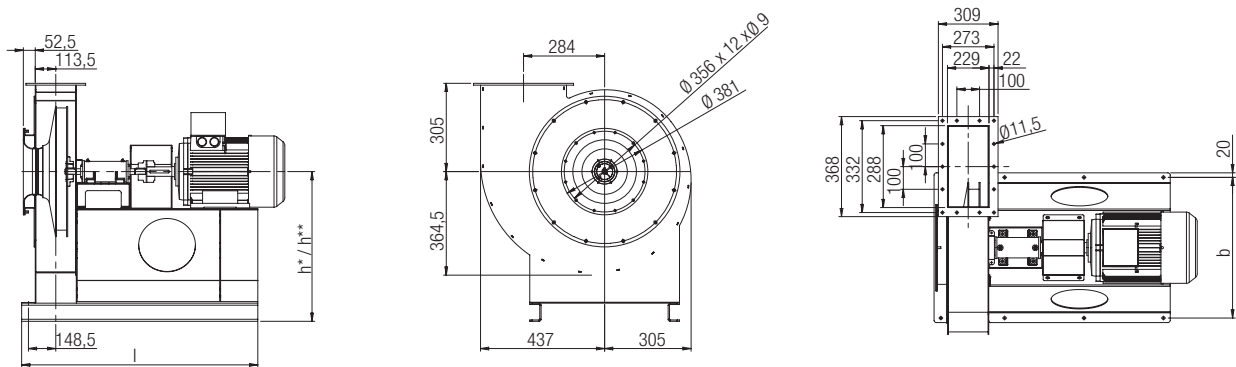
$h^{**}$ : Casing position: 270°

# HREK01-50-0450 Centrifugal fan

Megatec by Poltrich DLK



Power range on request



Full specifications for accessoires, see page 122

## HREK01-50-0450-B

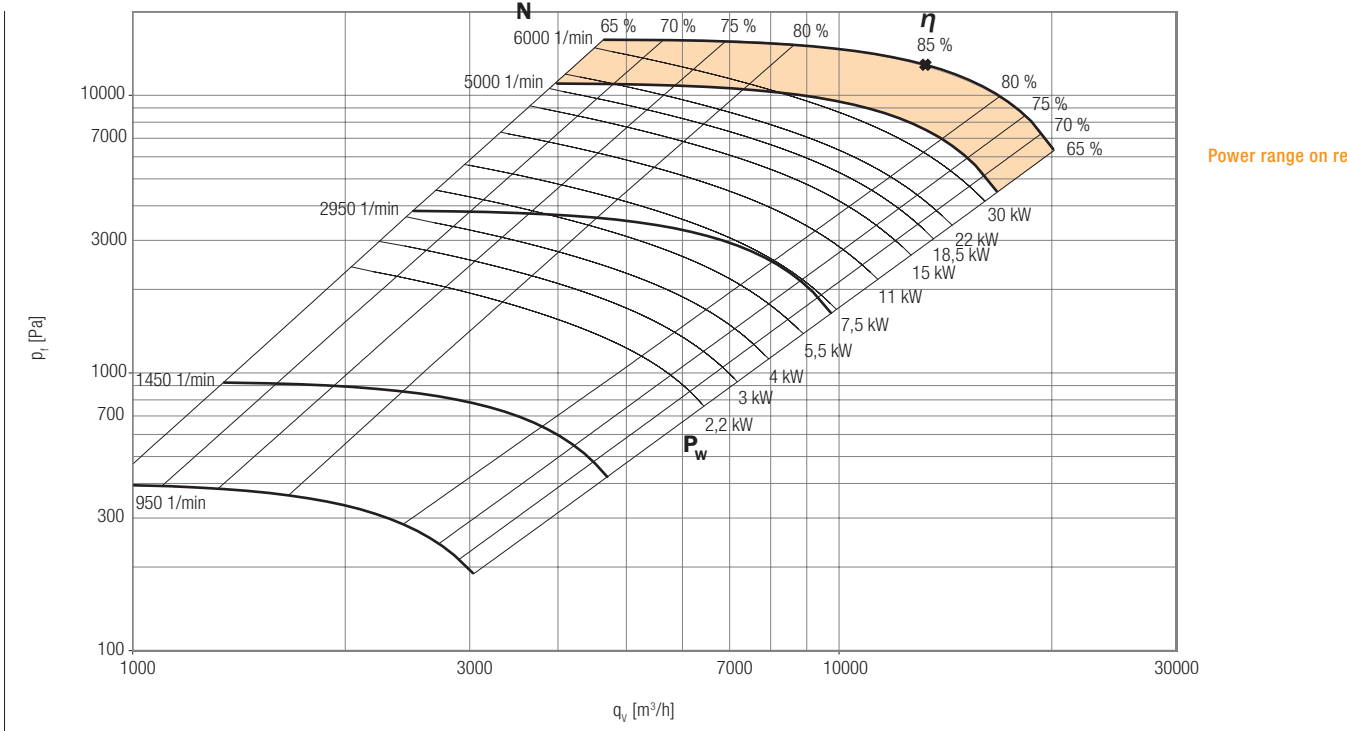
Order no. Fan	Motor power output [kW]	Speed [1/min]	Voltage [V] Connection	Nominal current [A]	Starting current [A]	Weight ca. [kg]	Order no. Z16	h* / h** [mm]	b [mm]	l [mm]
B110682	7.5	2940	400/690 Δ/Y	13.9	104.3	180	B149380	565/640	510	1215
B110683	11	2930	400/690 Δ/Y	19.9	151.2	223	B128059	565/640	510	1372
B110684	15	2930	400/690 Δ/Y	26.6	204.4	249	B128059	565/640	510	1372
B110685	18.5	2937	400/690 Δ/Y	33.0	244.2	279	B128059	565/640	510	1372
B110686	22	2940	400/690 Δ/Y	38.1	308.1	315	B149928	565/640	510	1372
B110687	2.2	1440	230/400 Δ/Y	4.6	32.5	157	B149380	565/640	510	1195
B110688	3	1440	230/400 Δ/Y	6.2	43.3	163	B149380	565/640	510	1195
B110689	4	1445	400/690 Δ/Y	8.1	60.9	168	B149380	565/640	510	1195
B110690	5.50	1455	400/690 Δ/Y	10.9	69.8	180	B149380	565/640	510	1215

All indicated values for 400V/50Hz/3~.

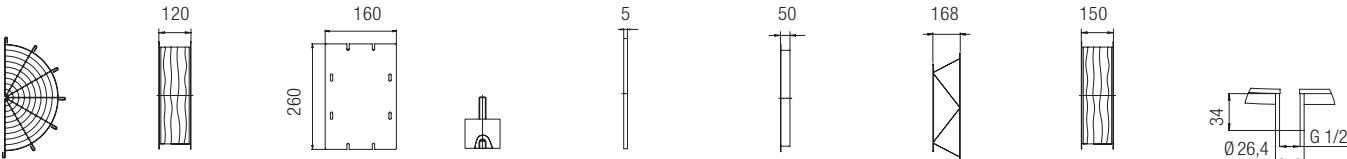
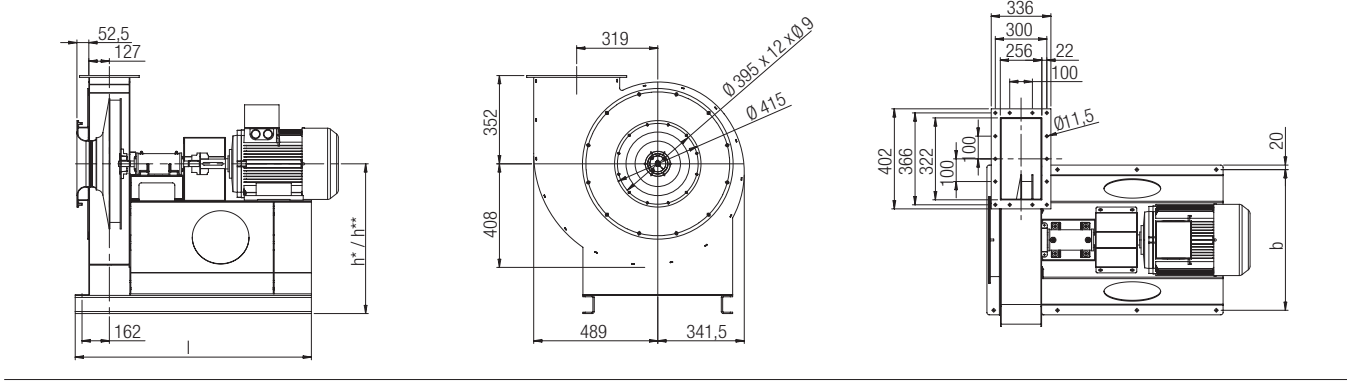
h\*: Casing position: 0°, 90° h\*\*: Casing position: 270°

# HREK01-50-0500 Centrifugal fan

Megatec by Pollrich DLK



Power range on request



- Z05** Protective grill suction side  
Ord. no. B151074
- Z10** Flexible sleeve round  
Ord. no. B141029
- Z13** Inspection hatch  
Ord. no. B240509
- Z16** Rubber anti vibration mounts (see below)
- Z18** Flange, round  
Ord. no. B101444
- Z19** Flange, square  
Ord. no. B101218
- Z45** Counter flange  
Ord. no. B101404
- Z63** Transition piece, square to round  
Ord. no. B101532
- Z81** Flexible sleeve square  
Ord. no. B101291
- Z89** Condensate drain  
Ord. no. B240506

Full specifications for accessoires, see page 122

## HREK01-50-0500-B

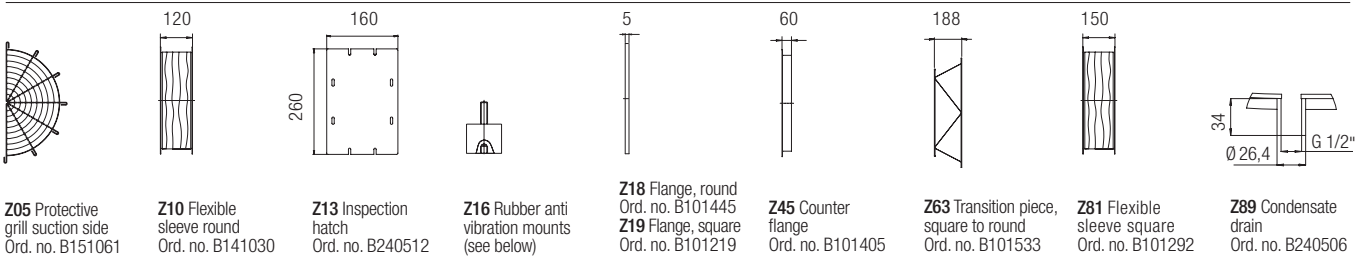
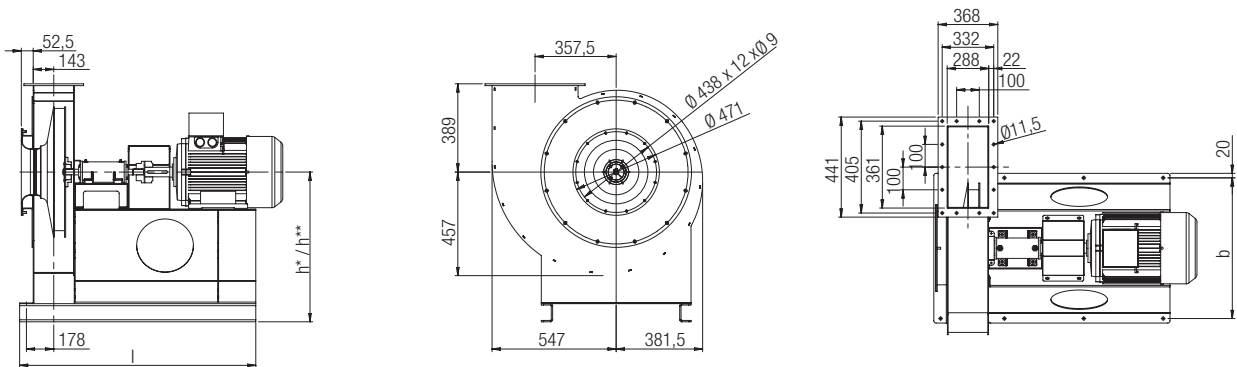
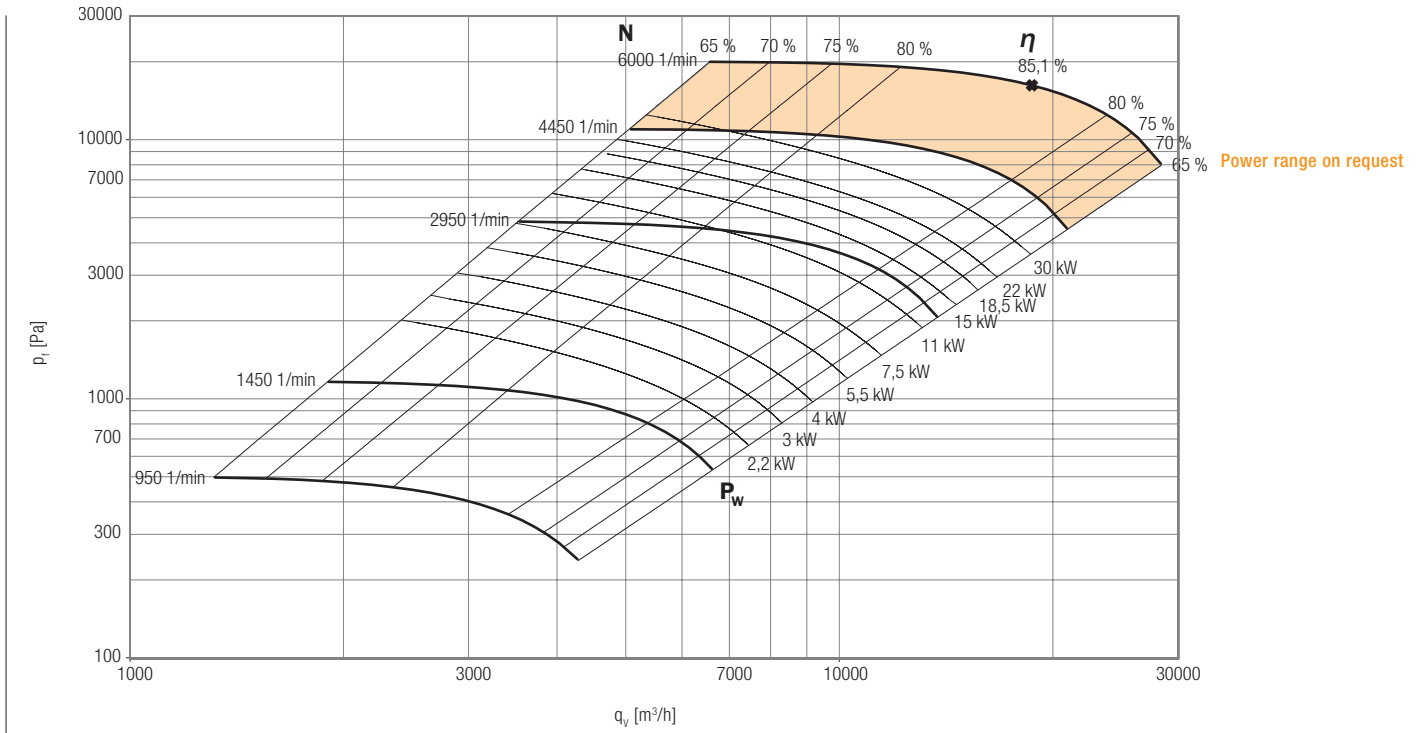
Order no. Fan	Motor power output [kW]	Speed [1/min]	Voltage [V] Connection	Nominal current [A]	Starting current [A]	Weight ca. [kg]	Order no. Z16	h* / h** [mm]	b [mm]	l [mm]
B110691	11	2930	400/690 Δ/Y	19.9	151.2	238	B128059	610/690	560	1442
B110692	15	2930	400/690 Δ/Y	26.6	204.4	264	B128059	610/690	560	1442
B110693	18.5	2937	400/690 Δ/Y	33.0	244.2	294	B128059	610/690	560	1442
B110694	22	2940	400/690 Δ/Y	38.1	308.1	330	B149928	610/690	560	1442
B110695	30	2950	400/690 Δ/Y	53.4	416.5	387	B149928	610/690	560	1442
B110696	2.2	1440	230/400 Δ/Y	4.6	32.5	172	B149380	610/690	560	1227
B110697	3	1440	230/400 Δ/Y	6.2	43.3	178	B149380	610/690	560	1227
B110698	4	1445	400/690 Δ/Y	8.1	60.9	183	B149380	610/690	560	1227
B110699	5.5	1455	400/690 Δ/Y	10.9	69.8	195	B149380	610/690	560	1247
B110700	7.5	1455	400/690 Δ/Y	14.5	69.8	206	B128059	610/690	560	1247
B110701	11	1460	400/690 Δ/Y	22.1	144.9	280	B128059	610/690	560	1442

All indicated values for 400V/50Hz/3~.

h\*: Casing position: 0°, 90°    h\*\*: Casing position: 270°

# HREK01-50-0560 Centrifugal fan

Megatec by Poltrich DLK



Full specifications for accessoires, see page 122

## HREK01-50-0560-B

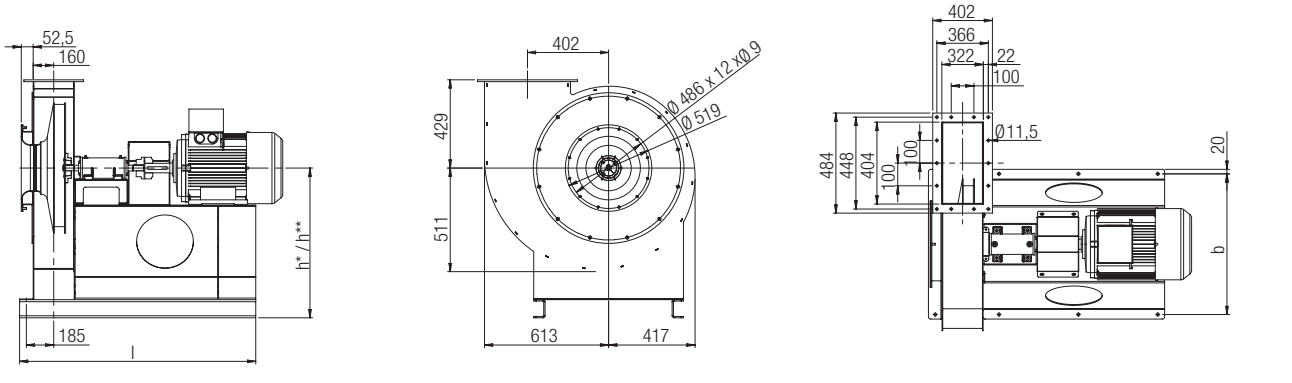
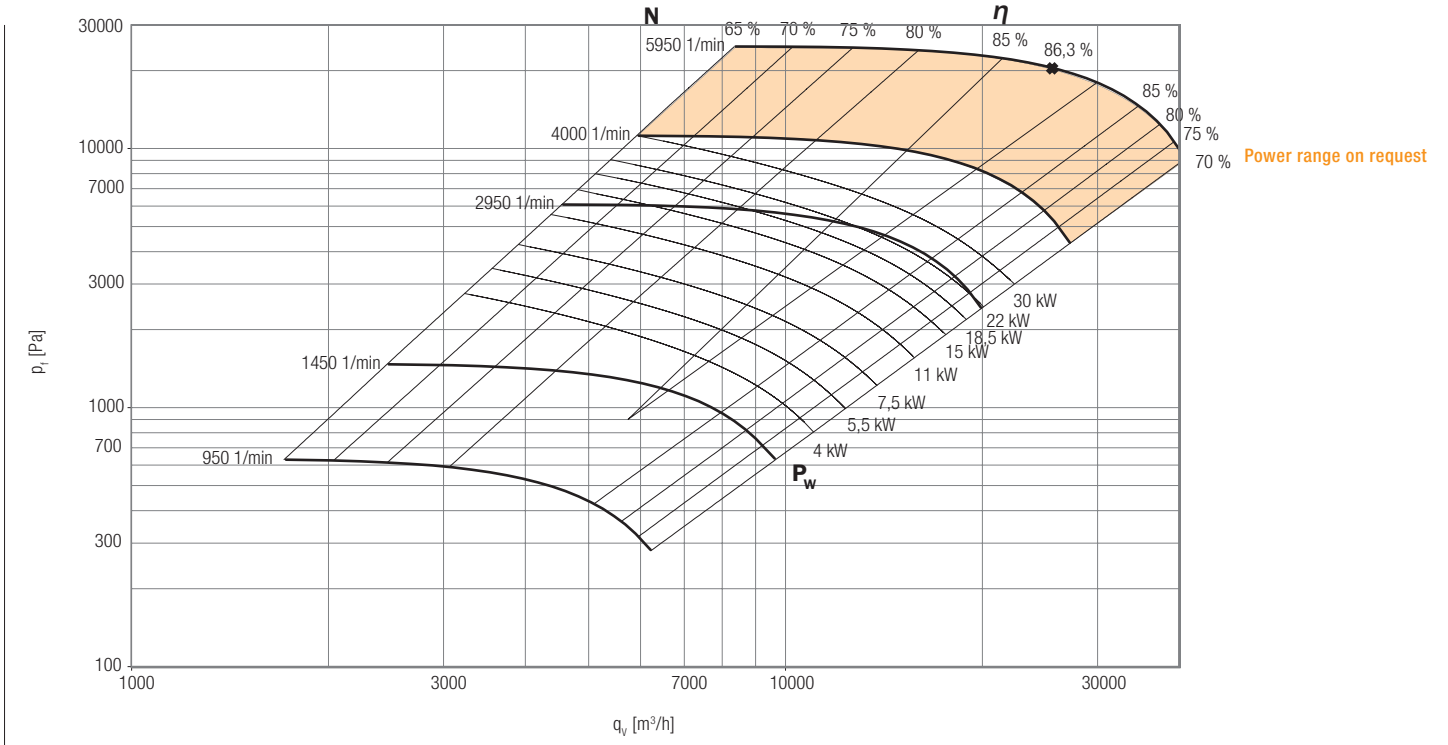
Order no. Fan	Motor power output [kW]	Speed [1/min]	Voltage [V] Connection	Nominal current [A]	Starting current [A]	Weight ca. [kg]	Order no. Z16	h* / h** [mm]	b [mm]	l [mm]
B110702	18.5	2937	400/690 Δ/Y	33.0	244.2	314	B149928	660/750	630	1474
B110703	22	2940	400/690 Δ/Y	38.1	308.1	350	B149928	660/750	630	1474
B110704	30	2950	400/690 Δ/Y	53.4	416.5	407	B149928	660/750	630	1474
B110705	2.2	1440	230/400 Δ/Y	4.6	32.5	192	B149380	660/750	630	1254
B110706	3	1440	230/400 Δ/Y	6.2	43.3	198	B149380	660/750	630	1254
B110707	4	1445	400/690 Δ/Y	8.1	60.9	203	B149380	660/750	630	1254
B110708	5.5	1455	400/690 Δ/Y	10.9	69.8	215	B128059	660/750	630	1274
B110709	7.5	1455	400/690 Δ/Y	14.5	69.8	226	B128059	660/750	630	1274
B110710	11	1460	400/690 Δ/Y	22.1	144.9	300	B149928	660/750	630	1474
B110711	15	1460	400/690 Δ/Y	29.6	210.8	277	B128059	660/750	630	1474
B110712	18.5	1470	400/690 Δ/Y	32.7	265.2	333	B149928	660/750	630	1474



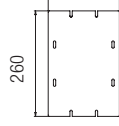


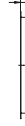




All indicated values for 400V/50Hz/3~.

h\*: Casing position: 0°, 90° h\*\*: Casing position: 270°

# HREK01-50-0630 Centrifugal fan

Megatec by Pollrich DLK



-   
**Z05** Protective grill suction side  
 Ord. no. B151081
  -   
**Z10** Flexible sleeve round  
 Ord. no. B141031
  -   
**Z13** Inspection hatch  
 Ord. no. B240512
  -   
**Z16** Rubber anti vibration mounts (see below)
  -   
**Z18** Flange, round  
 Ord. no. B101446
  -   
**Z19** Flange, square  
 Ord. no. B101220
  -   
**Z45** Counter flange  
 Ord. no. B101406
  -   
**Z63** Transition piece, square to round  
 Ord. no. B101534
  -   
**Z81** Flexible sleeve square  
 Ord. no. B101293
  -   
**Z89** Condensate drain  
 Ord. no. B240506
- Full specifications for accessories, see page 122

## HREK01-50-0630-B

Order no. Fan	Motor power output [kW]	Speed [1/min]	Voltage [V] Connection	Nominal current [A]	Starting current [A]	Weight ca. [kg]	Order no. Z16	h* / h** [mm]	b [mm]	l [mm]
B110713	30	2950	400/690 Δ/Y	53.4	416.5	437	B149928	715/815	690	1496
B110714	4	1445	400/690 Δ/Y	8.1	60.9	231	B128059	715/815	690	1403
B110715	5.5	1455	400/690 Δ/Y	10.9	69.8	243	B128059	715/815	690	1423
B110716	7.5	1455	400/690 Δ/Y	14.5	69.8	254	B128059	715/815	690	1423
B110717	11	1460	400/690 Δ/Y	22.1	152.5	328	B149928	715/815	690	1453
B110718	15	1460	400/690 Δ/Y	29.6	222.0	305	B149928	715/815	690	1453
B110719	18.5	1470	400/690 Δ/Y	32.7	265.2	361	B149928	715/815	690	1453
B110720	22	1470	400/690 Δ/Y	38.4	301.5	378	B149928	715/815	690	1453

All indicated values for 400V/50Hz/3~.

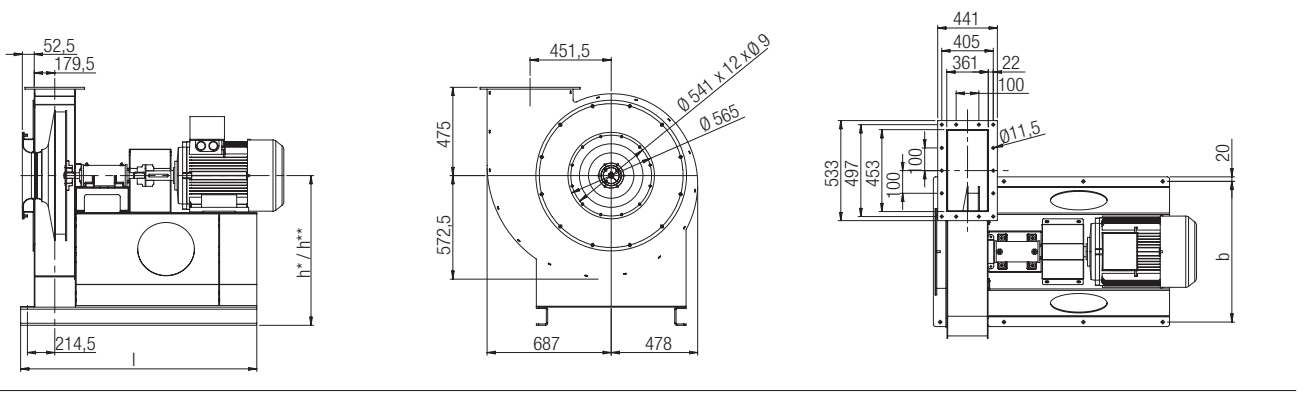
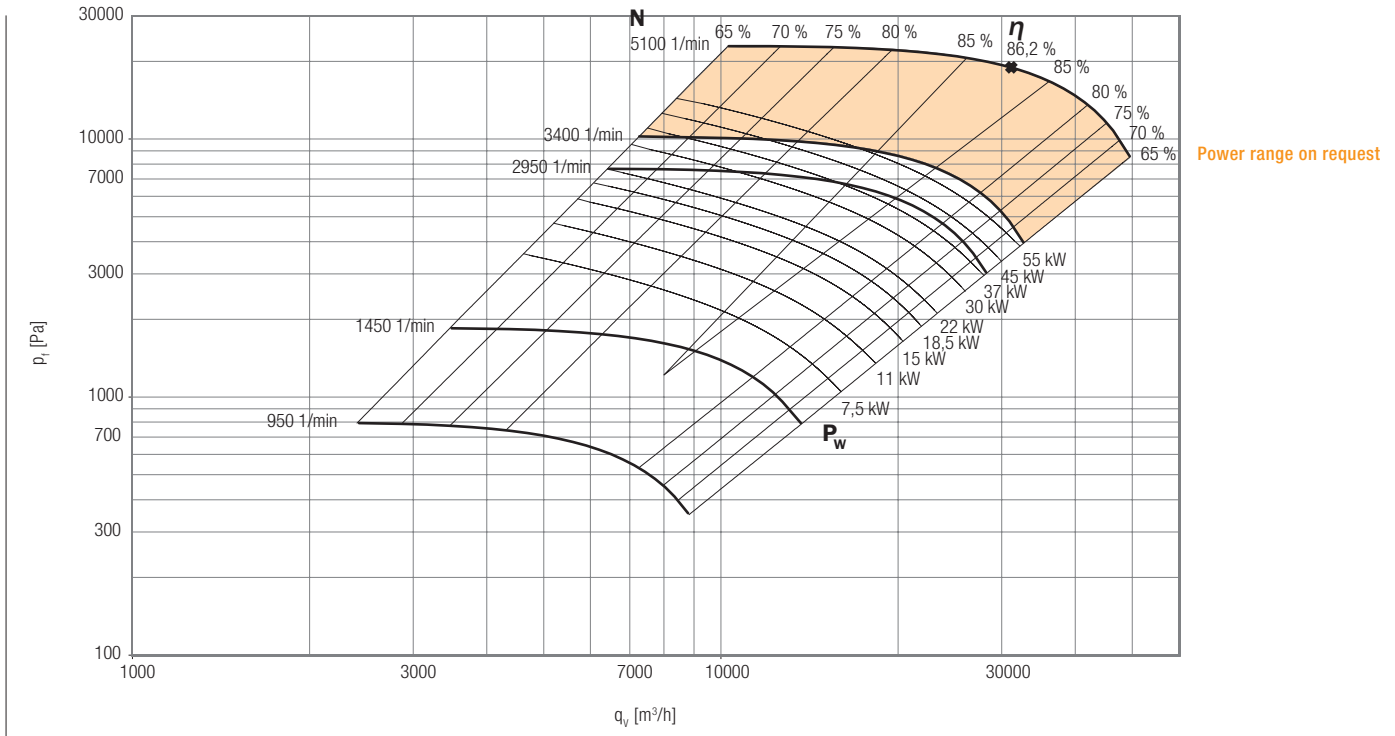
h\*: Casing position: 0°, 90°


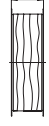
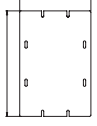







h\*\*: Casing position: 270°



# HREK01-50-0710 Centrifugal fan

**Megatec** by Poltrich DLK



-   
**Z05** Protective grill suction side  
 Ord. no. B151068
  -   
**Z10** Flexible sleeve round  
 Ord. no. B141032
  -   
**Z13** Inspection hatch  
 Ord. no. B240512
  -   
**Z16** Rubber anti vibration mounts (see below)
  -   
**Z18** Flange, round  
 Ord. no. B101447
  -   
**Z19** Flange, square  
 Ord. no. B101221
  -   
**Z45** Counter flange  
 Ord. no. B101407
  -   
**Z63** Transition piece, square to round  
 Ord. no. B101535
  -   
**Z81** Flexible sleeve square  
 Ord. no. B101294
  -   
**Z89** Condensate drain  
 Ord. no. B240506
- Full specifications for accessoires, see page 122

**HREK01-50-0710-B**

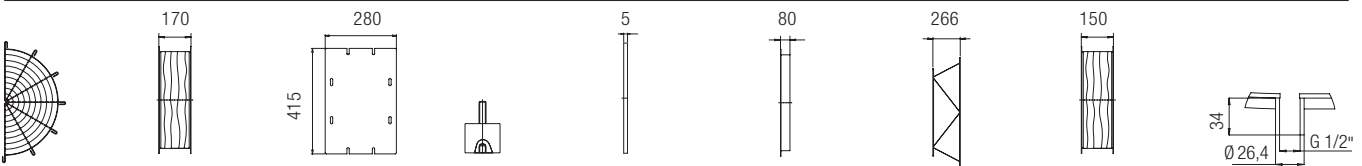
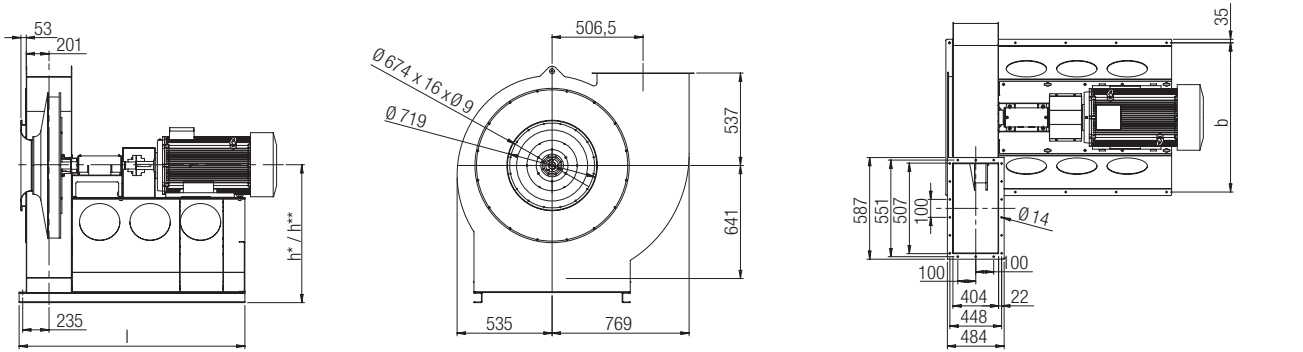
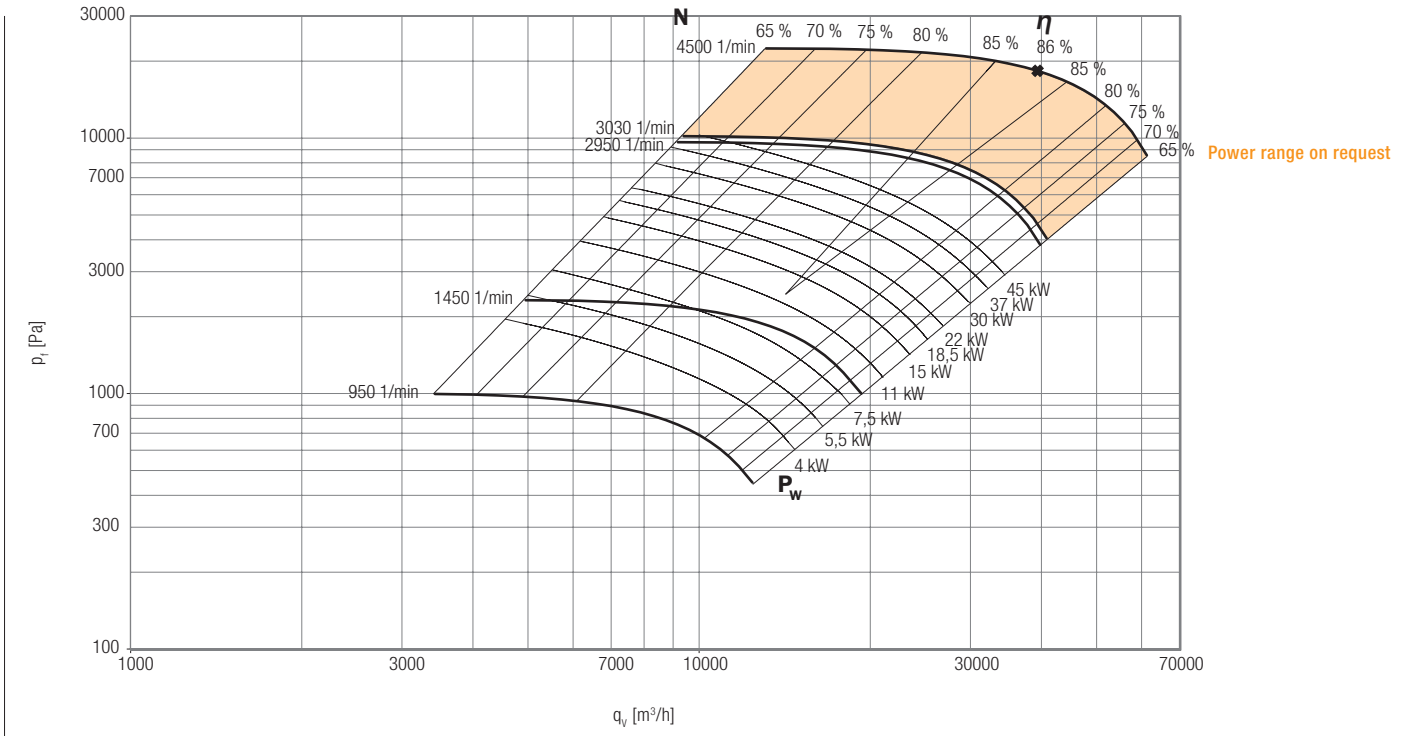
Order no. <b>Fan</b>	Motor power output [kW]	Speed [1/min]	Voltage [V] Connection	Nominal current [A]	Starting current [A]	Weight ca. [kg]	Order no. <b>Z16</b>	h* / h** [mm]	b [mm]	l [mm]
B110721	55	2965	400/690 Δ/Y	93.6	101.6	623	B149937	775/890	770	1727
B110722	7.5	1455	400/690 Δ/Y	14.5	17.3	293	B128059	775/890	770	1472
B110723	11	1460	400/690 Δ/Y	22.1	27.9	367	B149928	775/890	770	1502
B110724	15	1460	400/690 Δ/Y	29.6	37.1	349	B149928	775/890	770	1557
B110725	18.5	1470	400/690 Δ/Y	32.7	41.8	405	B149928	775/890	770	1557
B110726	22	1470	400/690 Δ/Y	38.4	47.7	422	B149928	775/890	770	1557
B110727	30	1470	400/690 Δ/Y	54.4	61.5	508	B149937	775/890	770	1702
B110728	37	1480	400/690 Δ/Y	66.2	73.7	550	B149937	775/890	770	1732
B110729	45	1480	400/690 Δ/Y	80.1	87.7	580	B149937	775/890	770	1732

All indicated values for 400V/50Hz/3~.

h\*: Casing position: 0°, 90°    h\*\*: Casing position: 270°

# HREK01-50-0800 Centrifugal fan

Megatec by Pollrich DLK



- Z05** Protective grill suction side  
Ord. no. B151066
- Z10** Flexible sleeve round  
Ord. no. B141033
- Z13** Inspection hatch  
Ord. no. B240512
- Z16** Rubber anti vibration mounts (see below)
- Z18** Flange, round  
Ord. no. B101448
- Z19** Flange, square  
Ord. no. B101222
- Z45** Counter flange  
Ord. no. B101408
- Z63** Transition piece, square to round  
Ord. no. B101536
- Z81** Flexible sleeve square  
Ord. no. B101295
- Z89** Condensate drain  
Ord. no. B240506

Full specifications for accessories, see page 122

## HREK01-50-0800-B

Order no. Fan	Motor power output [kW]	Speed [1/min]	Voltage [V] Connection	Nominal current [A]	Starting current [A]	Weight ca. [kg]	Order no. Z16	h* / h** [mm]	b [mm]	l [mm]
B110730	15	1460	400/690 Δ/Y	29.6	210.8	402	B149928	860/980	880	1591
B110731	18.5	1470	400/690 Δ/Y	32.7	265.2	458	B149928	860/980	880	1627
B110732	22	1470	400/690 Δ/Y	38.4	301.5	475	B149928	860/980	880	1627
B110733	30	1470	400/690 Δ/Y	54.4	386.2	561	B149928	860/980	880	1718
B110734	37	1480	400/690 Δ/Y	66.2	496.5	603	B149937	860/980	880	1788
B110735	45	1480	400/690 Δ/Y	80.1	608.8	633	B149937	860/980	880	1788
B110736	4	965	400/690 Δ/Y	9.0	44.8	339	B128059	860/980	880	1414
B110737	5.5	965	400/690 Δ/Y	12.0	66.0	350	B128059	860/980	880	1414
B110738	7.5	970	400/690 Δ/Y	15.9	103.4	386	B128059	860/980	880	1596
B110739	11	970	400/690 Δ/Y	22.1	171.8	436	B149928	860/980	880	1596
B110740	15	975	400/690 Δ/Y	29.8	190.7	488	B149928	860/980	880	1632

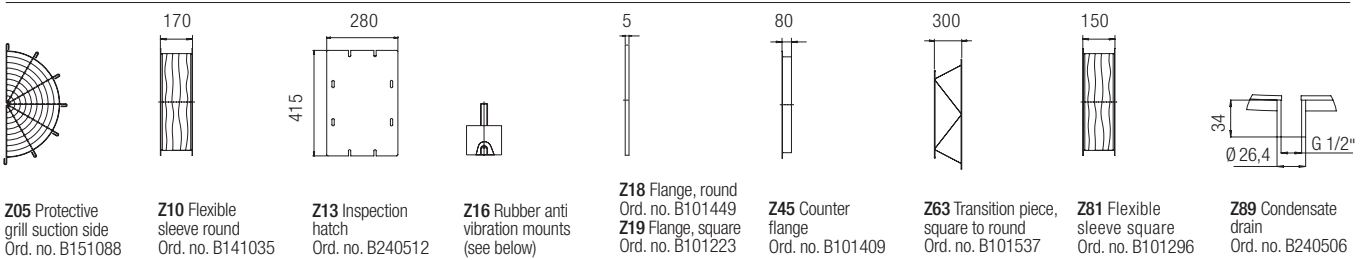
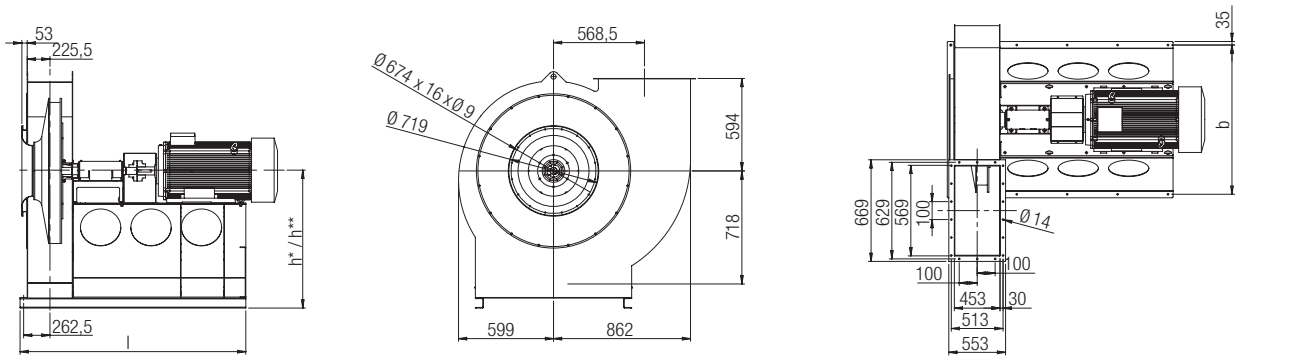
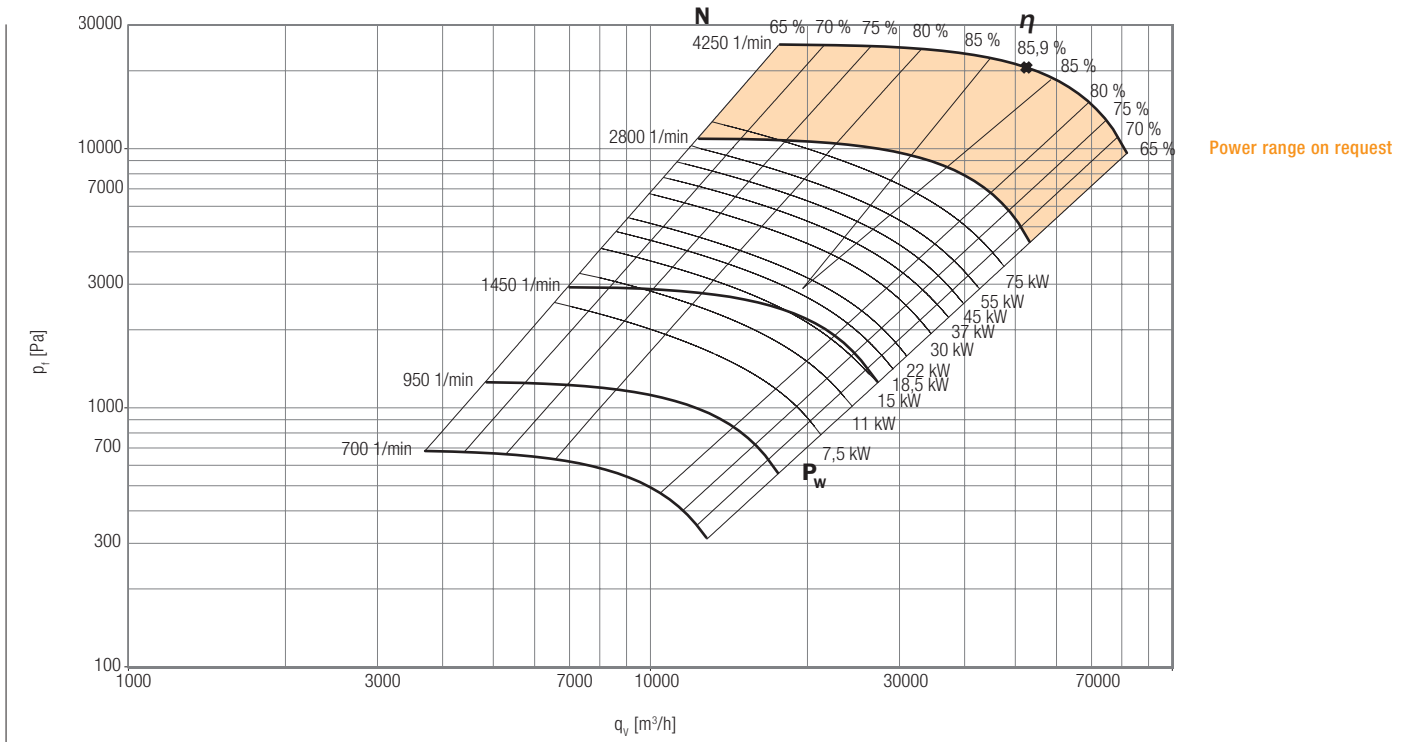
All indicated values for 400V/50Hz/3~.

h\*: Casing position: 0°, 90°

h\*\*: Casing position: 270°

# HREK01-50-0900 Centrifugal fan

Megatec by Pollrich DLK



Full specifications for accessoires, see page 122

## HREK01-50-0900-B

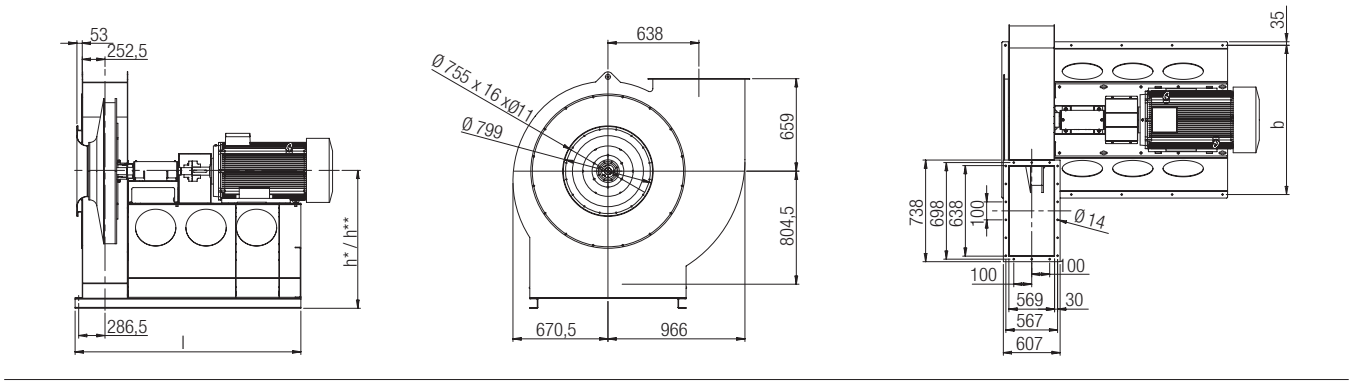
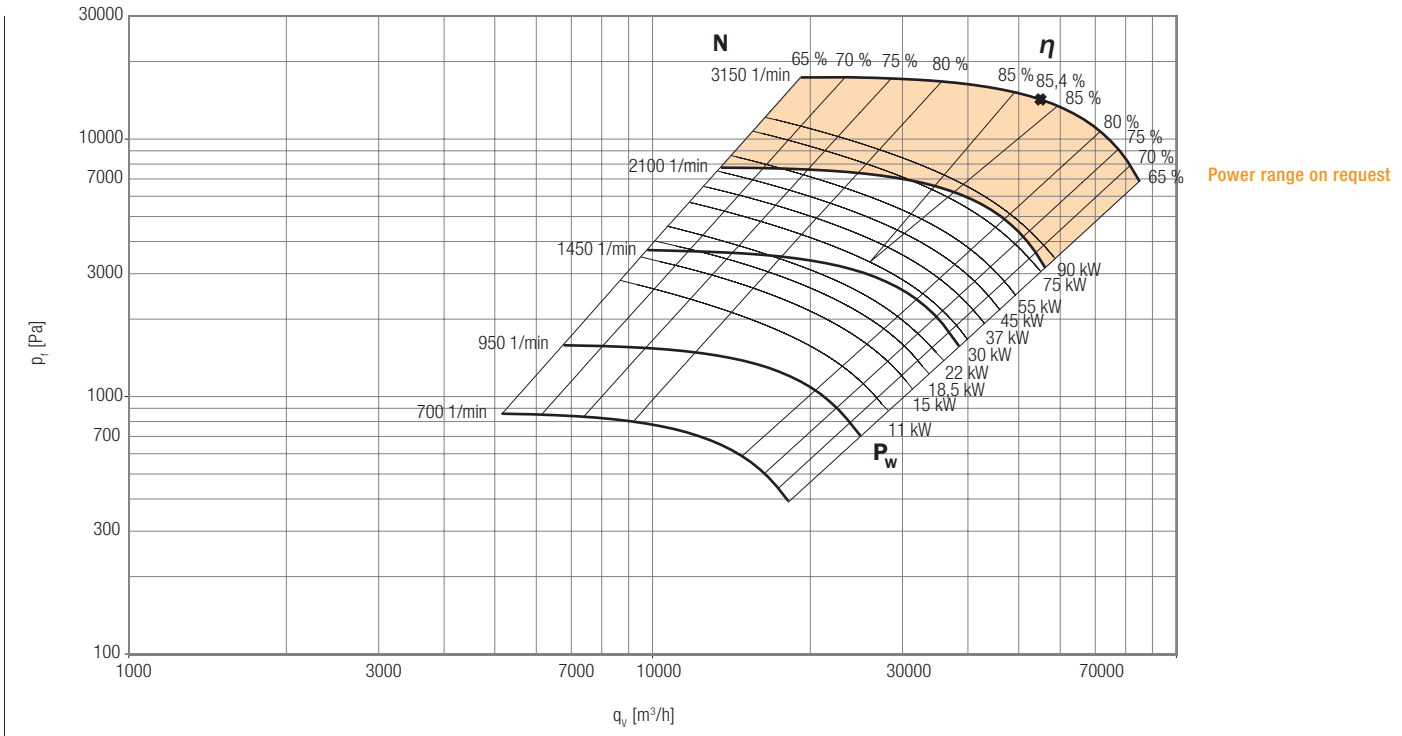
Order no. Fan	Motor power output [kW]	Speed [1/min]	Voltage [V] Connection	Nominal current [A]	Starting current [A]	Weight ca. [kg]	Order no. Z16	h* / h** [mm]	b [mm]	l [mm]
B110741	22	1470	400/690 Δ/Y	38.4	301.5	557	B149928	930/1080	980	1712
B110742	30	1470	400/690 Δ/Y	54.4	386.2	643	B149937	930/1080	980	1803
B110743	37	1480	400/690 Δ/Y	66.2	496.5	694	B149937	930/1080	980	1870
B110744	45	1480	400/690 Δ/Y	80.1	608.8	724	B149937	930/1080	980	1870
B110745	55	1480	400/690 Δ/Y	96.7	711.8	771	B149937	930/1080	980	1931
B110746	75	1480	400/690 Δ/Y	131.0	1003.2	903	B149937	930/1080	980	2003
B110747	7.5	970	400/690 Δ/Y	15.9	103.4	469	B149928	930/1080	980	1676
B110748	11	970	400/690 Δ/Y	22.1	171.8	519	B149928	930/1080	980	1676
B110749	15	975	400/690 Δ/Y	29.8	190.7	571	B149928	930/1080	980	1712
B110750	18.5	980	400/690 Δ/Y	35.7	254.8	573	B149928	930/1080	980	1803
B110751	22	980	400/690 Δ/Y	41.6	294.0	603	B149937	930/1080	980	1803

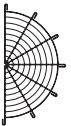
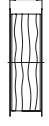
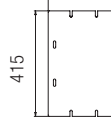





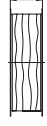

All indicated values for 400V/50Hz/3~.

h\*: Casing position: 0°, 90° h\*\*: Casing position: 270°

# HREK01-50-1000 Centrifugal fan

Megatec by Pollrich DLK



-   
**Z05** Protective grill suction side  
 Ord. no. B151072
  -   
**Z10** Flexible sleeve round  
 Ord. no. B141036
  -   
**Z13** Inspection hatch  
 Ord. no. B240512
  -   
**Z16** Rubber anti vibration mounts (see below)
  -   
**Z18** Flange, round  
 Ord. no. B101450
  -   
**Z19** Flange, square  
 Ord. no. B101250
  -   
**Z45** Counter flange  
 Ord. no. B101410
  -   
**Z63** Transition piece, square to round  
 Ord. no. B101538
  -   
**Z81** Flexible sleeve square  
 Ord. no. B101322
  -   
**Z89** Condensate drain  
 Ord. no. B240506
- Full specifications for accessoires, see page 122

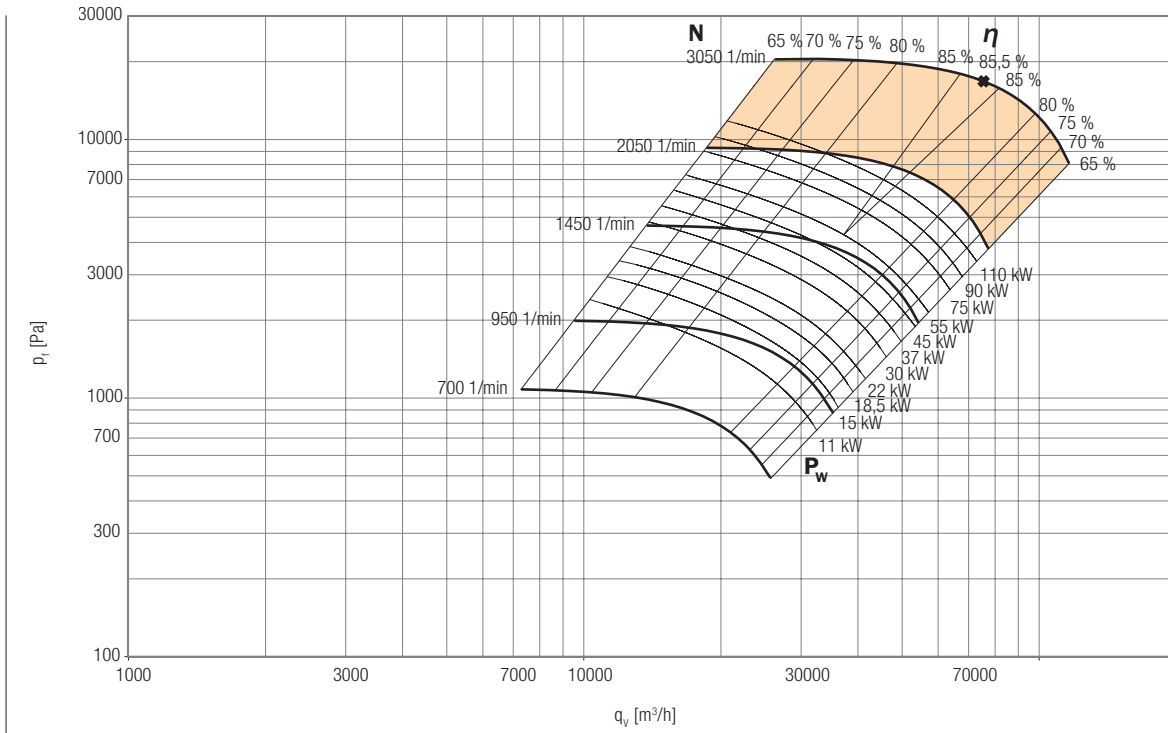
## HREK01-50-1000-B

Order no. Fan	Motor power output [kW]	Speed [1/min]	Voltage [V] Connection	Nominal current [A]	Starting current [A]	Weight ca. [kg]	Order no. Z16	h* / h** [mm]	b [mm]	l [mm]
B110752	37	1480	400/690 Δ/Y	66.2	496.5	787	B149937	1021/1181	1080	1927
B110753	45	1480	400/690 Δ/Y	80.1	608.8	817	B149937	1021/1181	1080	1927
B110754	55	1480	400/690 Δ/Y	96.7	711.8	864	B149937	1021/1181	1080	1988
B110755	75	1480	400/690 Δ/Y	131.0	1003.2	996	B149948	1021/1181	1080	2060
B110756	90	1480	400/690 Δ/Y	157.0	1185.0	1092	B149948	1021/1181	1080	2060
B110757	15	975	400/690 Δ/Y	29.8	190.7	664	B149937	1021/1181	1080	1766
B110758	18.5	980	400/690 Δ/Y	35.7	254.8	666	B149937	1021/1181	1080	1857
B110759	22	980	400/690 Δ/Y	41.6	294.0	696	B149937	1021/1181	1080	1857
B110760	30	980	400/690 Δ/Y	56.2	365.3	764	B149937	1021/1181	1080	1927
B110761	37	980	400/690 Δ/Y	66.9	464.4	840	B149937	1021/1181	1080	2060
B110762	11	730	400/690 Δ/Y	23.4	142.8	626	B149937	1021/1181	1080	1766

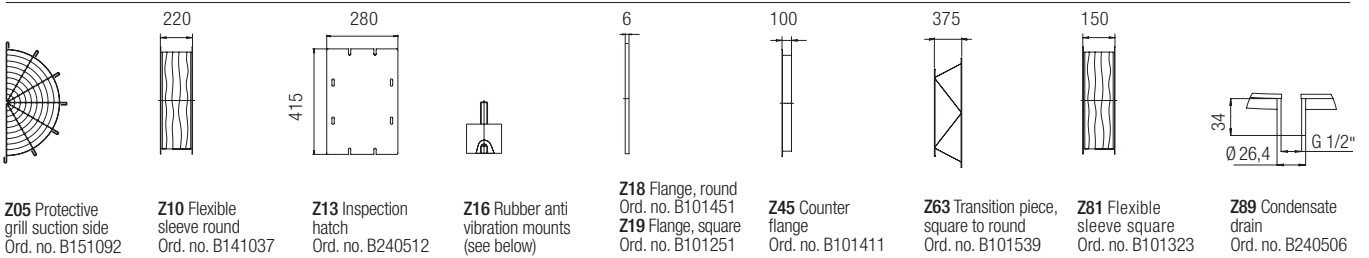
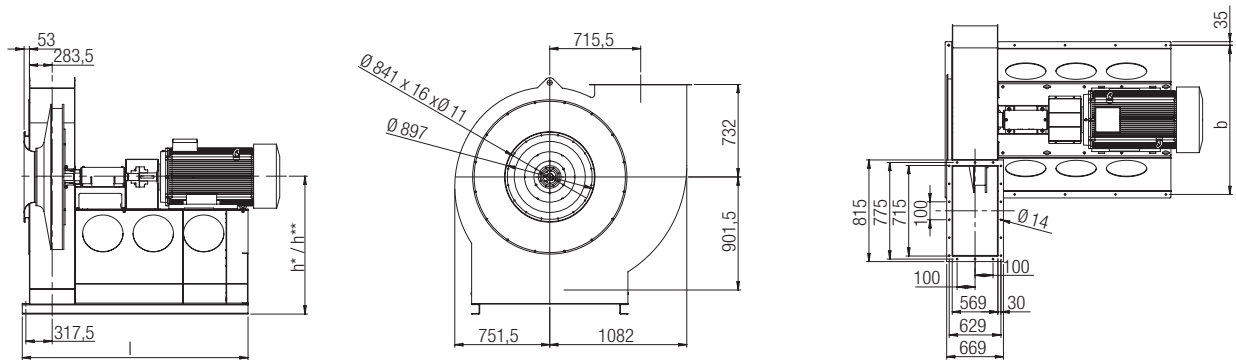
All indicated values for 400V/50Hz/3~. h\*: Casing position: 0°, 90° h\*\*: Casing position: 270°

# HREK01-50-1120 Centrifugal fan

Megatec by Poltrich DLK



Power range on request



Full specifications for accessoires, see page 122

## HREK01-50-1120-B

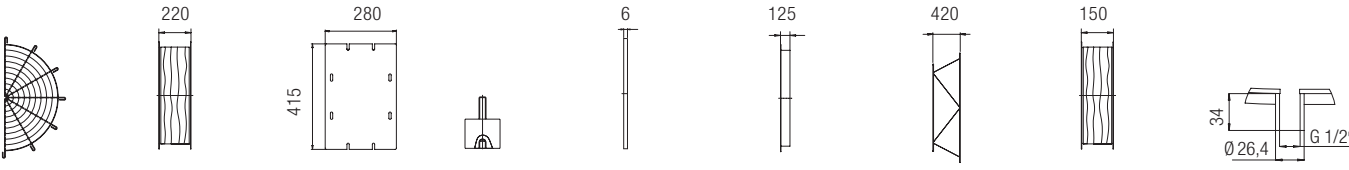
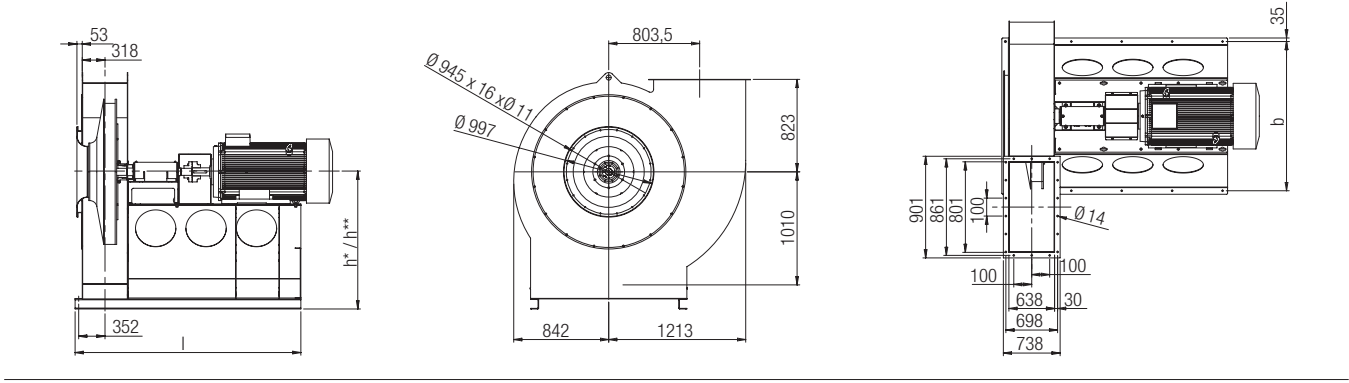
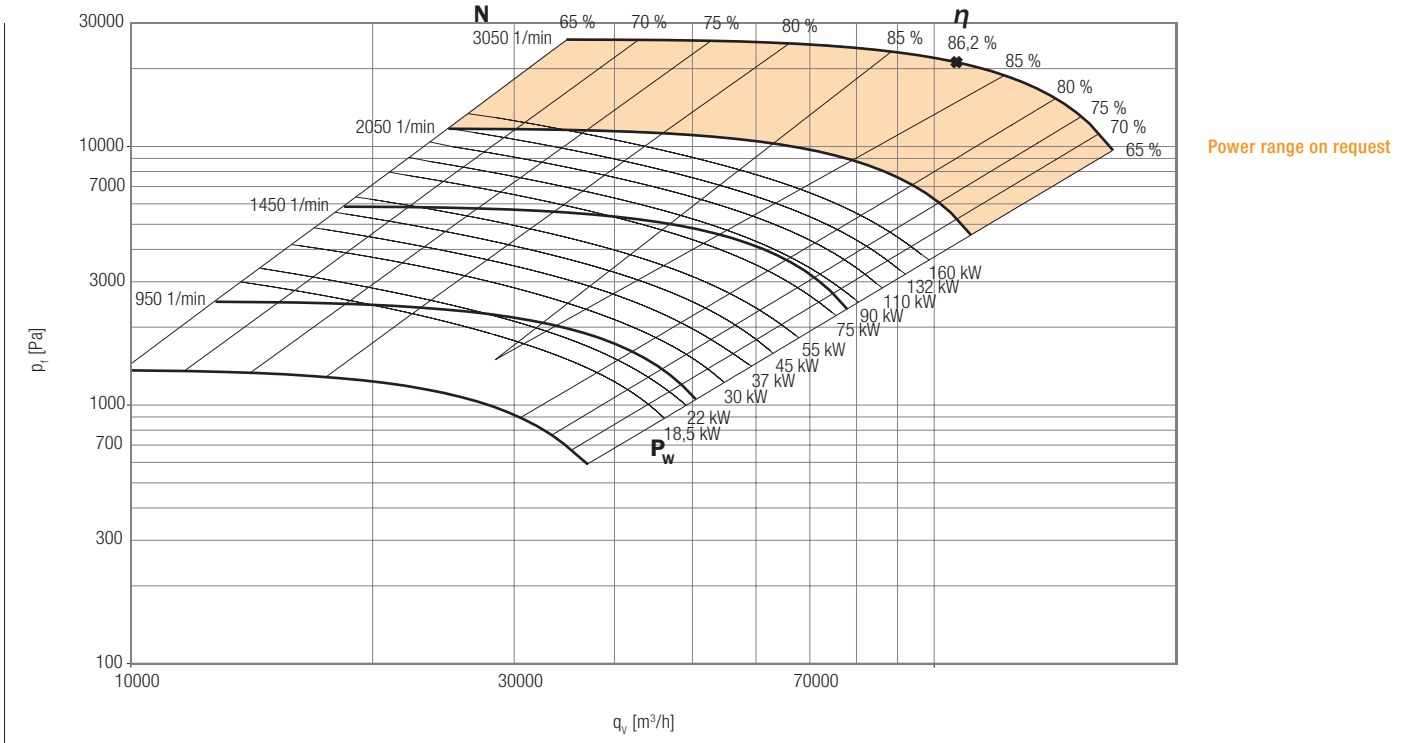
Order no. Fan	Motor power output [kW]	Speed [1/min]	Voltage [V] Connection	Nominal current [A]	Starting current [A]	Weight ca. [kg]	Order no. Z16	$h^*/h^{**}$ [mm]	b [mm]	l [mm]
B110763	75	1480	400/690 $\Delta/Y$	131.0	1003.2	1142	B149948	1121/1291	1200	2164
B110764	90	1480	400/690 $\Delta/Y$	157.0	1185.0	1238	B149948	1121/1291	1200	2164
B110765	110	1485	400/690 $\Delta/Y$	191.0	1356.1	1581	B149948	1121/1291	1200	2397
B110766	18.5	980	400/690 $\Delta/Y$	35.7	254.8	819	B149937	1121/1291	1200	1936
B110767	22	980	400/690 $\Delta/Y$	41.6	294.0	849	B149937	1121/1291	1200	1936
B110768	30	980	400/690 $\Delta/Y$	56.2	365.3	917	B149937	1121/1291	1200	2006
B110769	37	980	400/690 $\Delta/Y$	66.9	464.4	993	B149948	1121/1291	1200	2067
B110770	45	980	400/690 $\Delta/Y$	80.4	570.5	1115	B149948	1121/1291	1200	2139
B110771	55	980	400/690 $\Delta/Y$	96.6	704.3	1170	B149948	1121/1291	1200	2199
B110772	75	985	400/690 $\Delta/Y$	132.1	978.2	1544	B149948	1121/1291	1200	2432
B110773	11	730	400/690 $\Delta/Y$	23.4	142.8	779	B149937	1121/1291	1200	1845
B110774	15	730	400/690 $\Delta/Y$	32.1	213.8	847	B149937	1121/1291	1200	1936

All indicated values for 400V/50Hz/3~.

$h^*$ : Casing position: 0°, 90°  $h^{**}$ : Casing position: 270°

# HREK01-50-1250 Centrifugal fan

Megatec by Pollrich DLK



- Z05** Protective grill suction side  
Ord. no. B190582
- Z10** Flexible sleeve round  
Ord. no. B141038
- Z13** Inspection hatch  
Ord. no. B240512
- Z16** Rubber anti vibration mounts (see below)
- Z18** Flange, round  
Ord. no. B101452
- Z19** Flange, square  
Ord. no. B101252
- Z45** Counter flange  
Ord. no. B101412
- Z63** Transition piece, square to round  
Ord. no. B101540
- Z81** Flexible sleeve square  
Ord. no. B101324
- Z89** Condensate drain  
Ord. no. B240506

Full specifications for accessoires, see page 122

## HREK01-50-1250-B

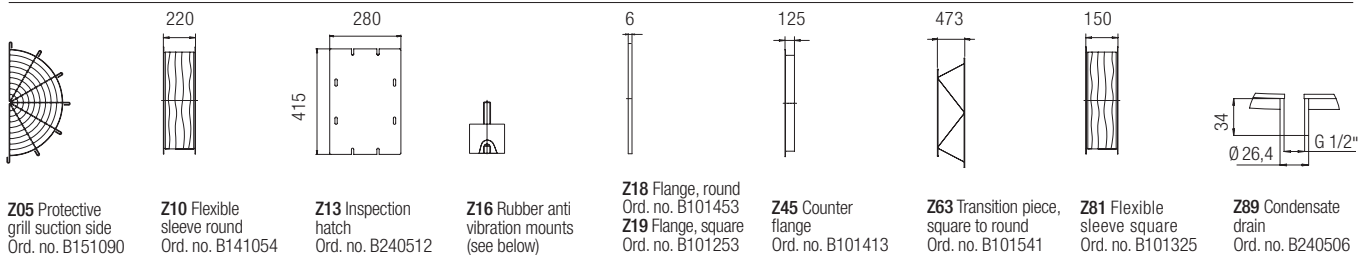
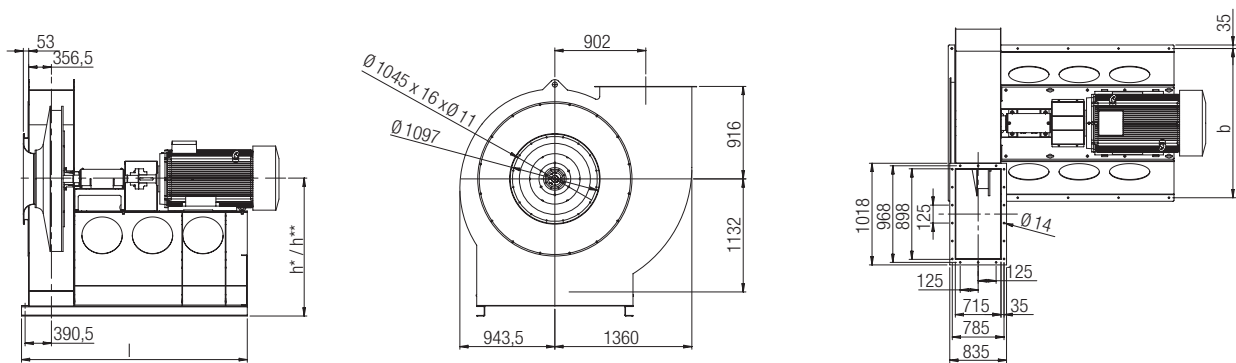
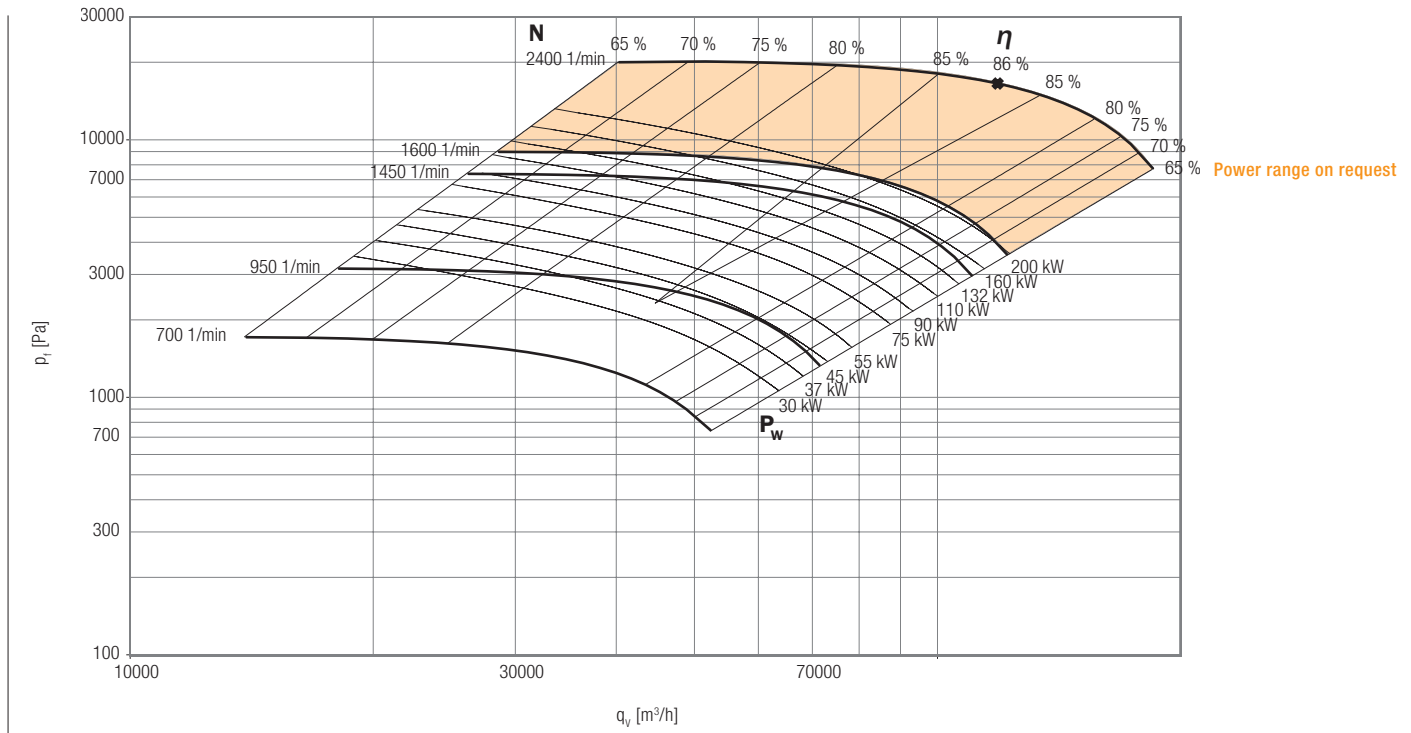
Order no. Fan	Motor power output [kW]	Speed [1/min]	Voltage [V] Connection	Nominal current [A]	Starting current [A]	Weight ca. [kg]	Order no. Z16	h* / h** [mm]	b [mm]	l [mm]
B110775	110	1485	400/690 Δ/Y	191.0	1356.1	1950	B250291	1235/1425	1330	2759
B110776	132	1485	400/690 Δ/Y	228.0	1664.4	2037	B250291	1235/1425	1330	2759
B110777	160	1485	400/690 Δ/Y	273.0	2020.2	2107	B250291	1235/1425	1330	2759
B110778	30	980	400/690 Δ/Y	56.2	365.3	1153	B149948	1235/1425	1330	2193
B110779	37	980	400/690 Δ/Y	66.9	464.4	1229	B149948	1235/1425	1330	2254
B110780	45	980	400/690 Δ/Y	80.4	570.5	1351	B149948	1235/1425	1330	2326
B110781	55	980	400/690 Δ/Y	96.6	704.3	1406	B149948	1235/1425	1330	2326
B110782	75	985	400/690 Δ/Y	132.1	978.2	1780	B149948	1235/1425	1330	2559
B110783	90	985	400/690 Δ/Y	159.0	1136.0	1858	B250291	1235/1425	1330	2559
B110784	110	985	400/690 Δ/Y	194.0	1450.4	1931	B250291	1235/1425	1330	2549
B110785	18.5	730	400/690 Δ/Y	39.0	257.4	1099	B149948	1235/1425	1330	2193
B110786	22	730	400/690 Δ/Y	44.2	297.0	1122	B149948	1235/1425	1330	2193

All indicated values for 400V/50Hz/3~.

h\*: Casing position: 0°, 90° h\*\*: Casing position: 270°

# HREK01-50-1400 Centrifugal fan

Megatec by Polrich DLK



Full specifications for accessoires, see page 122

## HREK01-50-1400-B

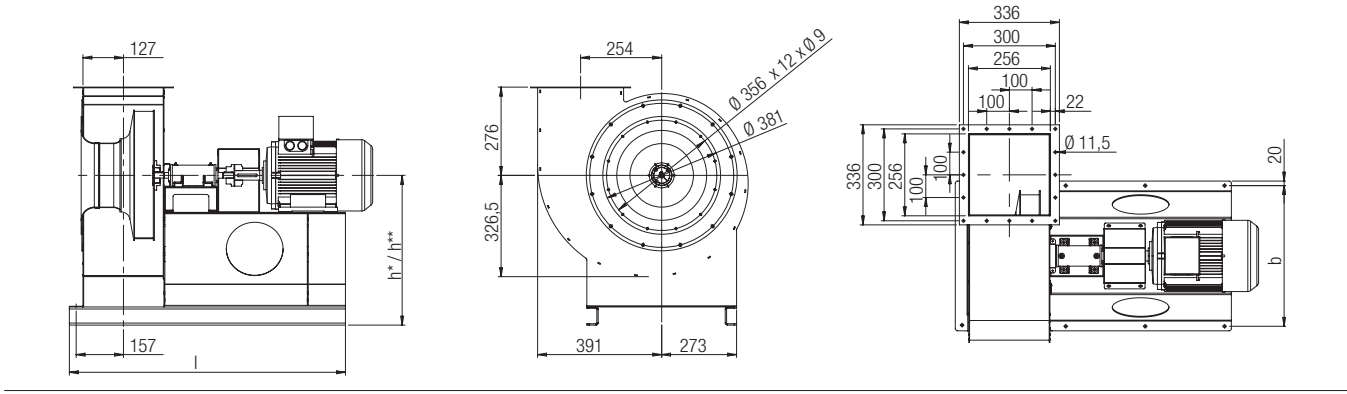
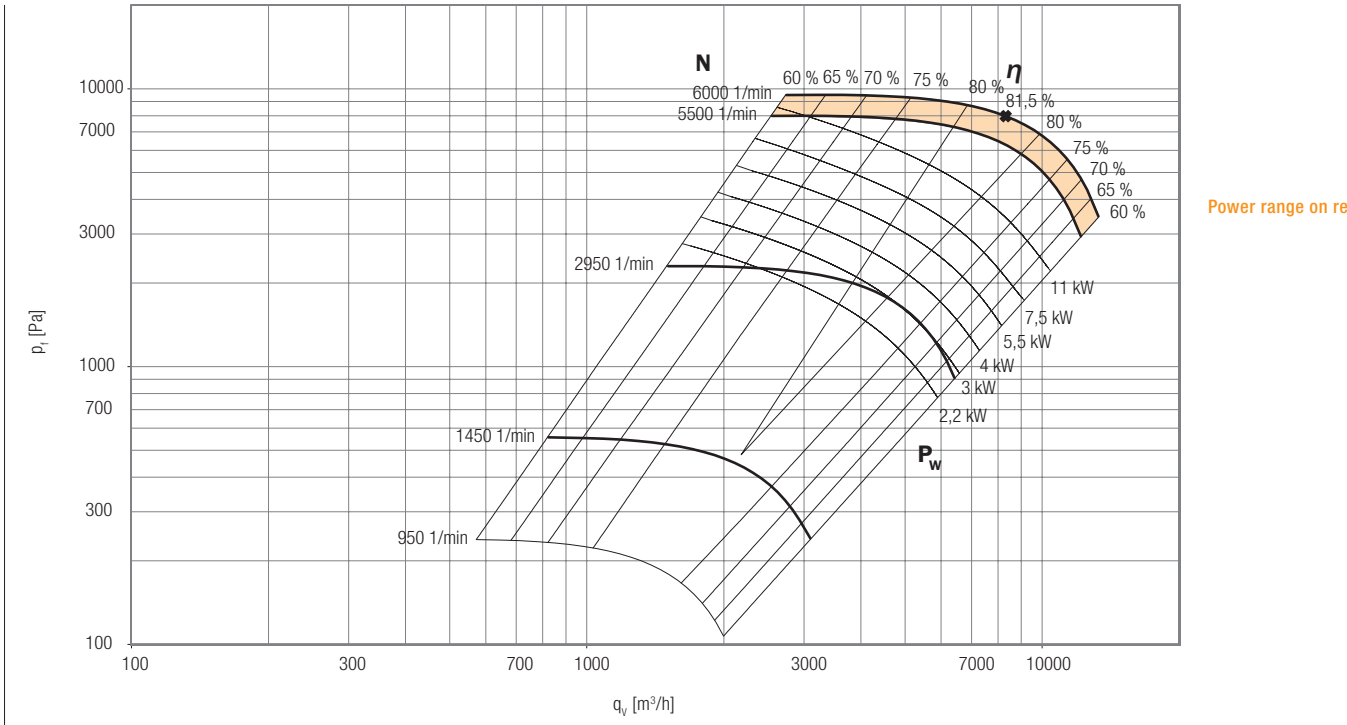
Order no. Fan	Motor power output [kW]	Speed [1/min]	Voltage [V] Connection	Nominal current [A]	Starting current [A]	Weight ca. [kg]	Order no. Z16	h* / h** [mm]	b [mm]	l [mm]
B110787	200	1485	400/690 Δ/Y	341.0	2591.6	2452	B250291	1350/1675	1480	2658
B110788	75	985	400/690 Δ/Y	132.1	978.2	2142	B250291	1350/1675	1480	2658
B110789	90	985	400/690 Δ/Y	159.0	1136.0	2220	B250291	1350/1675	1480	2658
B110790	110	985	400/690 Δ/Y	194.0	1450.4	2292	B250291	1350/1675	1480	2658
B110791	132	985	400/690 Δ/Y	229.0	1755.6	2412	B250291	1350/1675	1480	2658
B110792	160	990	400/690 Δ/Y	274.0	2105.2	2781	B250291	1350/1675	1480	2970
B110793	200	990	400/690 Δ/Y	345.0	2691.0	2831	B250291	1350/1675	1480	2970
B110794	30	735	400/690 Δ/Y	60.2	401.28	1559	B149948	1350/1675	1480	2323
B110795	37	735	400/690 Δ/Y	72.6	488.4	1675	B149948	1350/1675	1480	2395
B110796	45	735	400/690 Δ/Y	88.0	589.4	1761	B149948	1350/1675	1480	2425
B110797	55	735	400/690 Δ/Y	104.0	693.0	2127	B250291	1350/1675	1480	2658
B110798	75	735	400/690 Δ/Y	141.0	943.8	2227	B250291	1350/1675	1480	2658
B110799	90	735	400/690 Δ/Y	167.0	1115.4	2282	B250291	1350/1675	1480	2658

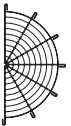
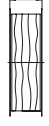
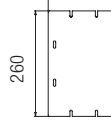





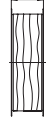

All indicated values for 400V/50Hz/3~.

h\*: Casing position: 0°, 90° h\*\*: Casing position: 270°

# HREK01-56-0400 Centrifugal fan

**Megatec** by Pollrich DLK



-   
**Z05** Protective grill suction side  
 Ord. no. B151076
  -   
**Z10** Flexible sleeve round  
 Ord. no. B141028
  -   
**Z13** Inspection hatch  
 Ord. no. B240509
  -   
**Z16** Rubber anti vibration mounts (see below)
  -   
**Z18** Flange, round  
 Ord. no. B101443
  -   
**Z19** Flange, square  
 Ord. no. B101206
  -   
**Z45** Counter flange  
 Ord. no. B101351
  -   
**Z63** Transition piece, square to round  
 Ord. no. B101542
  -   
**Z81** Flexible sleeve square  
 Ord. no. B101279
  -   
**Z89** Condensate drain  
 Ord. no. B240506
- Full specifications for accessoires, see page 122

**HREK01-56-0400-B**

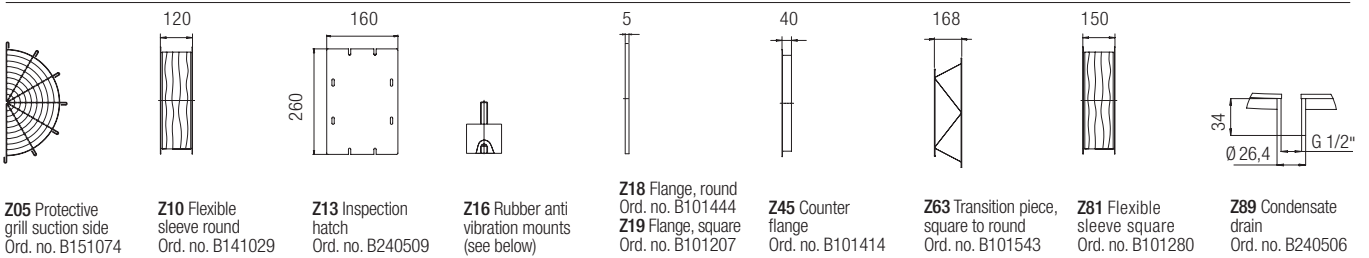
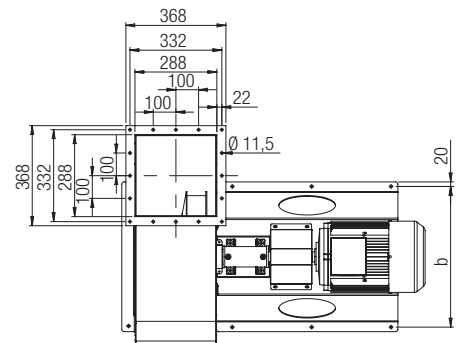
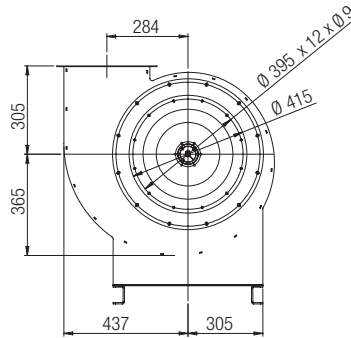
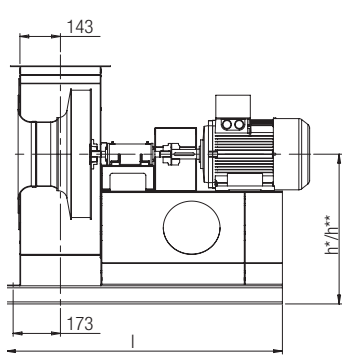
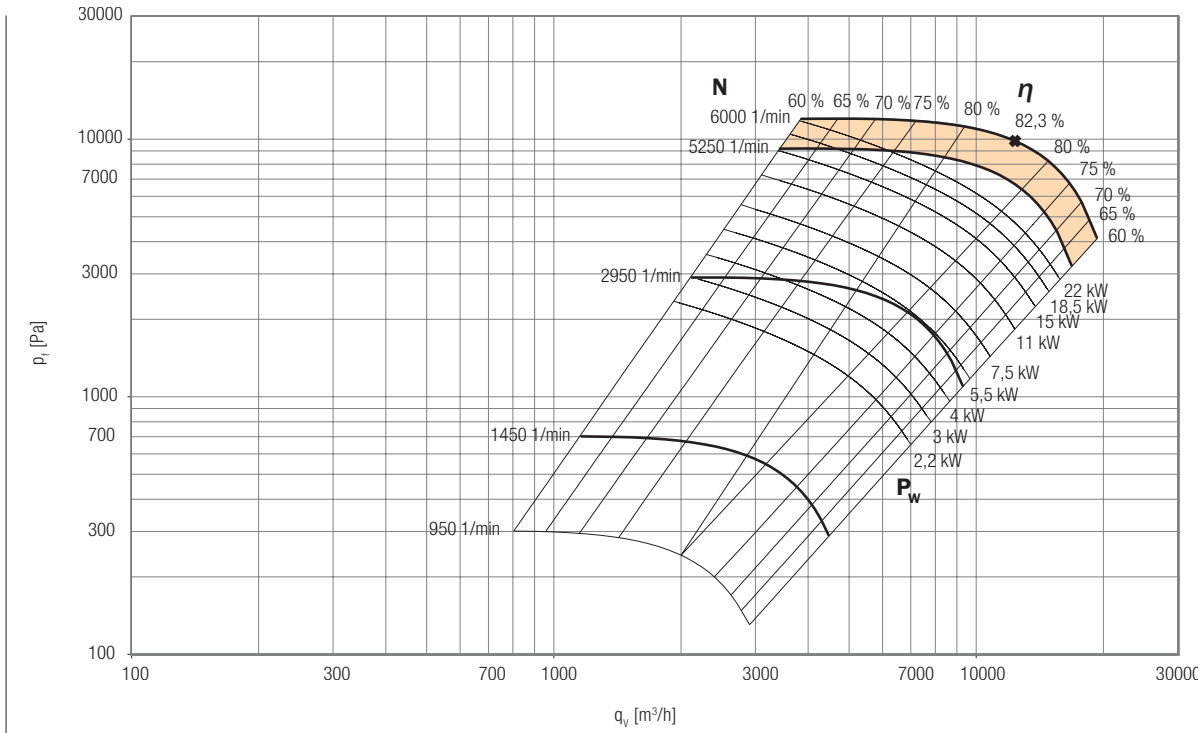
Order no. Fan	Motor power output [kW]	Speed [1/min]	Voltage [V] Connection	Nominal current [A]	Starting current [A]	Weight ca. [kg]	Order no. Z16	h* / h** [mm]	b [mm]	l [mm]
B110800	3	1440	230/400 Δ/Y	6.2	43.3	142	B149380	530/595	460	1242
B110801	3	2891	230/400 Δ/Y	5.9	46.9	145	B149380	530/595	460	1242
B110802	4	2914	400/690 Δ/Y	7.6	57.3	162	B149380	530/595	460	1262
B110803	5.5	2937	400/690 Δ/Y	10.6	79.5	167	B149380	530/595	460	1262
B110804	7.5	2940	400/690 Δ/Y	13.9	104.3	210	B128059	530/595	460	1292
B110805	11	2930	400/690 Δ/Y	19.9	148.9	144	B149380	530/595	460	1242
B110806	2.2	1440	230/400 Δ/Y	4.6	32.5	150	B149380	530/595	460	1242

All indicated values for 400V/50Hz/3~. h\*: Casing position: 0°, 90° h\*\*: Casing position: 270°



# HREK01-56-0450 Centrifugal fan

Megatec by Poltrich DLK



Full specifications for accessoires, see page 122

## HREK01-56-0450-B

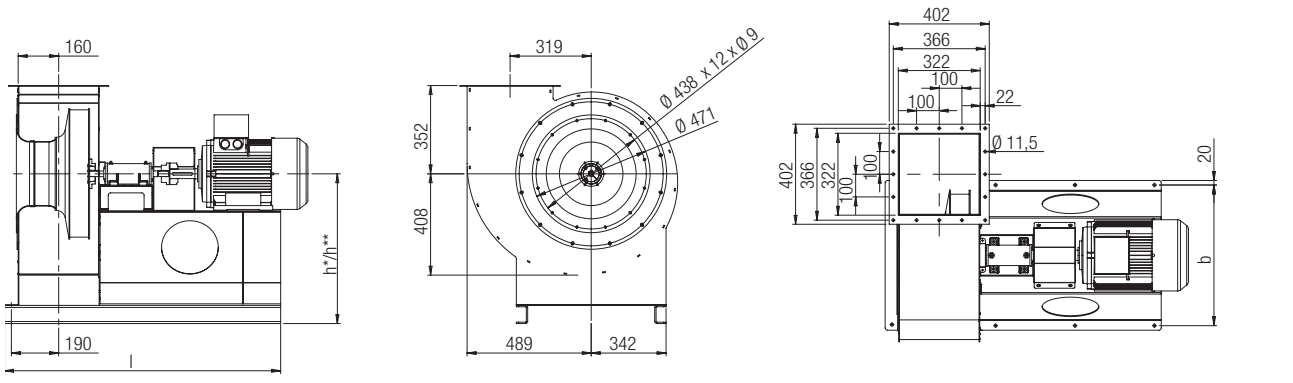
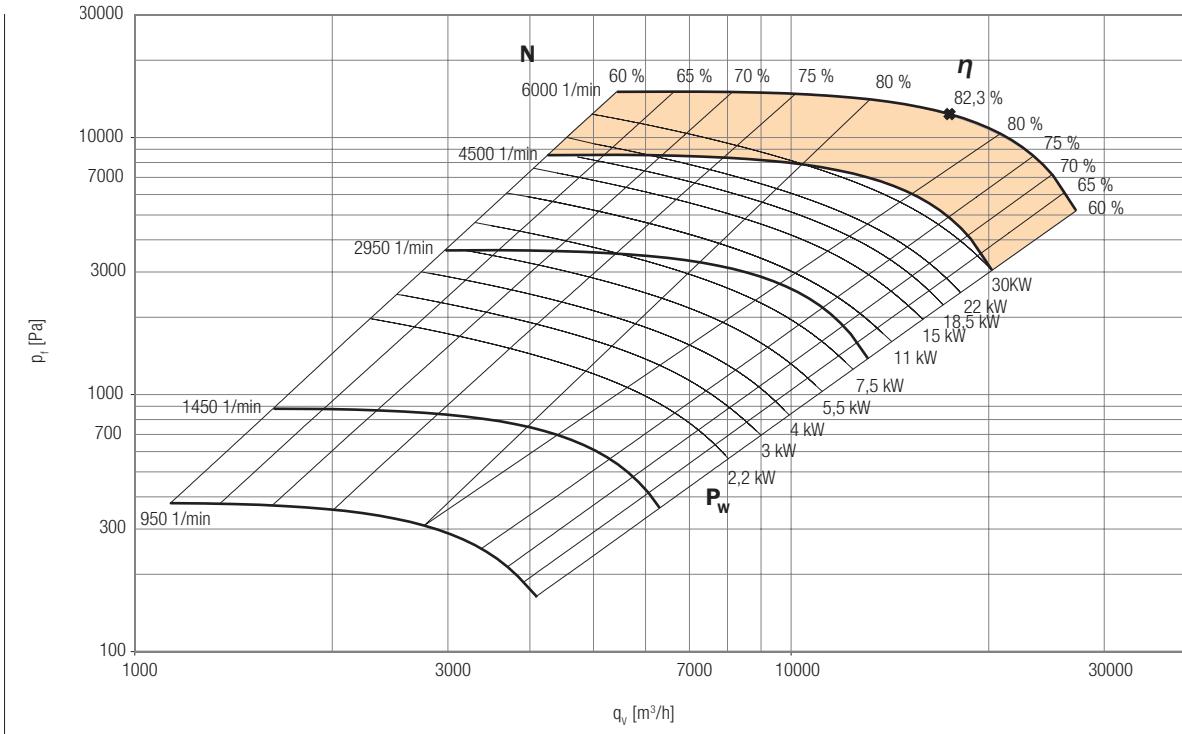
Order no. Fan	Motor power output [kW]	Speed [1/min]	Voltage [V] Connection	Nominal current [A]	Starting current [A]	Weight ca. [kg]	Order no. Z16	h* / h** [mm]	b [mm]	l [mm]
B110807	7.5	2940	400/690 Δ/Y	13.9	104.3	180	B149380	565/640	510	1274
B110808	11	2930	400/690 Δ/Y	19.9	150.9	223	B128059	565/640	510	1431
B110809	15	2930	400/690 Δ/Y	26.6	202.2	249	B128059	565/640	510	1431
B110810	18.5	2937	400/690 Δ/Y	33.0	244.2	279	B128059	565/640	510	1431
B110811	22	2940	400/690 Δ/Y	38.1	297.2	315	B149928	565/640	510	1431
B110812	2.2	1440	230/400 Δ/Y	4.6	32.5	157	B149380	565/640	510	1254
B110813	3	1440	230/400 Δ/Y	6.2	43.3	163	B149380	565/640	510	1254
B110814	4	1445	400/690 Δ/Y	8.1	60.9	168	B149380	565/640	510	1254
B110815	5.5	1455	400/690 Δ/Y	10.9	69.8	180	B149380	565/640	510	1274

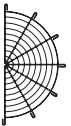
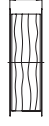
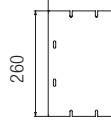


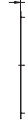
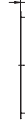
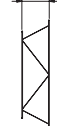


All indicated values for 400V/50Hz/3~.

h\*: Casing position: 0°, 90° h\*\*: Casing position: 270°

# HREK01-56-0500 Centrifugal fan

Megatec by Pollrich DLK



-   
**Z05** Protective grill suction side  
 Ord. no. B151061
  -   
**Z10** Flexible sleeve round  
 Ord. no. B141030
  -   
**Z13** Inspection hatch  
 Ord. no. B240509
  -   
**Z16** Rubber anti vibration mounts (see below)
  -   
**Z18** Flange, round  
 Ord. no. B101445
  -   
**Z19** Flange, square  
 Ord. no. B101208
  -   
**Z45** Counter flange  
 Ord. no. B101353
  -   
**Z63** Transition piece, square to round  
 Ord. no. B101544
  -   
**Z81** Flexible sleeve square  
 Ord. no. B101281
  -   
**Z89** Condensate drain  
 Ord. no. B240506
- Full specifications for accessoires, see page 122

## HREK01-56-0500-B

Order no. Fan	Motor power output [kW]	Speed [1/min]	Voltage [V] Connection	Nominal current [A]	Starting current [A]	Weight ca. [kg]	Order no. Z16	h* / h** [mm]	b [mm]	l [mm]
B110816	11	2930	400/690 Δ/Y	19.9	142.9	238	B128059	610/690	560	1508
B110817	15	2930	400/690 Δ/Y	26.6	202.2	264	B128059	610/690	560	1508
B110818	18.5	2937	400/690 Δ/Y	33.0	244.2	294	B128059	610/690	560	1508
B110819	22	2940	400/690 Δ/Y	38.1	297.2	330	B149928	610/690	560	1508
B110820	30	2950	400/690 Δ/Y	53.4	416.5	387	B149928	610/690	560	1508
B110821	2.2	1440	230/400 Δ/Y	4.6	20.9	172	B149380	610/690	560	1293
B110822	3	1440	230/400 Δ/Y	6.2	27.8	178	B149380	610/690	560	1293
B110823	4	1445	400/690 Δ/Y	8.1	40.6	183	B149380	610/690	560	1293
B110824	5.5	1455	400/690 Δ/Y	10.9	60.0	195	B149380	610/690	560	1313
B110825	7.5	1455	400/690 Δ/Y	14.5	94.3	206	B128059	610/690	560	1313
B110826	11	1460	400/690 Δ/Y	22.1	165.8	280	B128059	610/690	560	1508

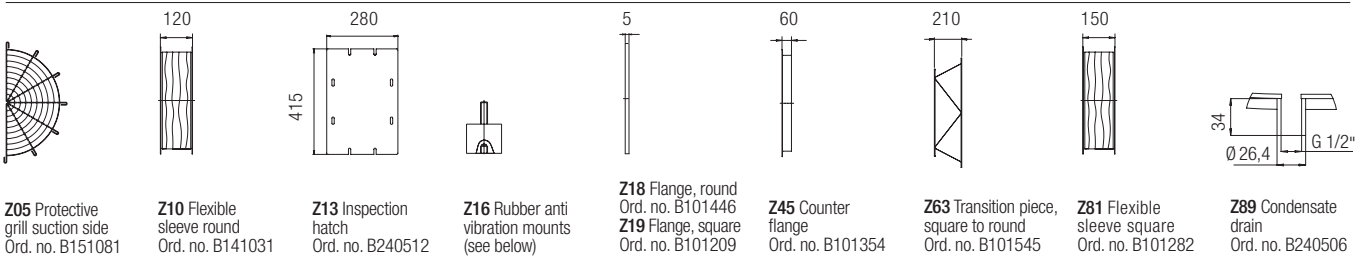
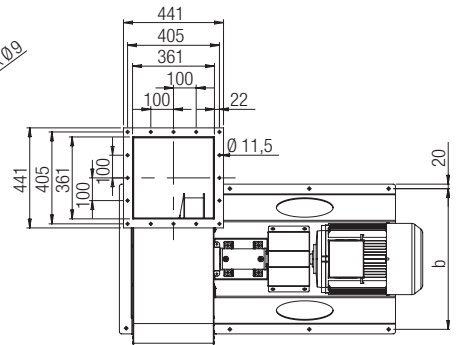
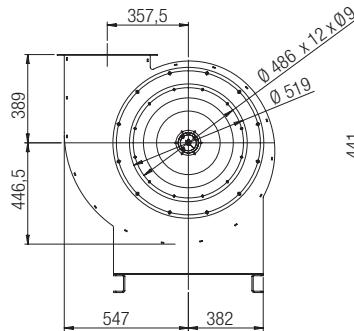
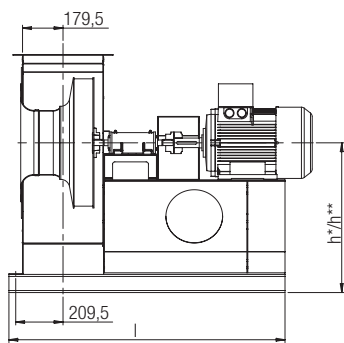
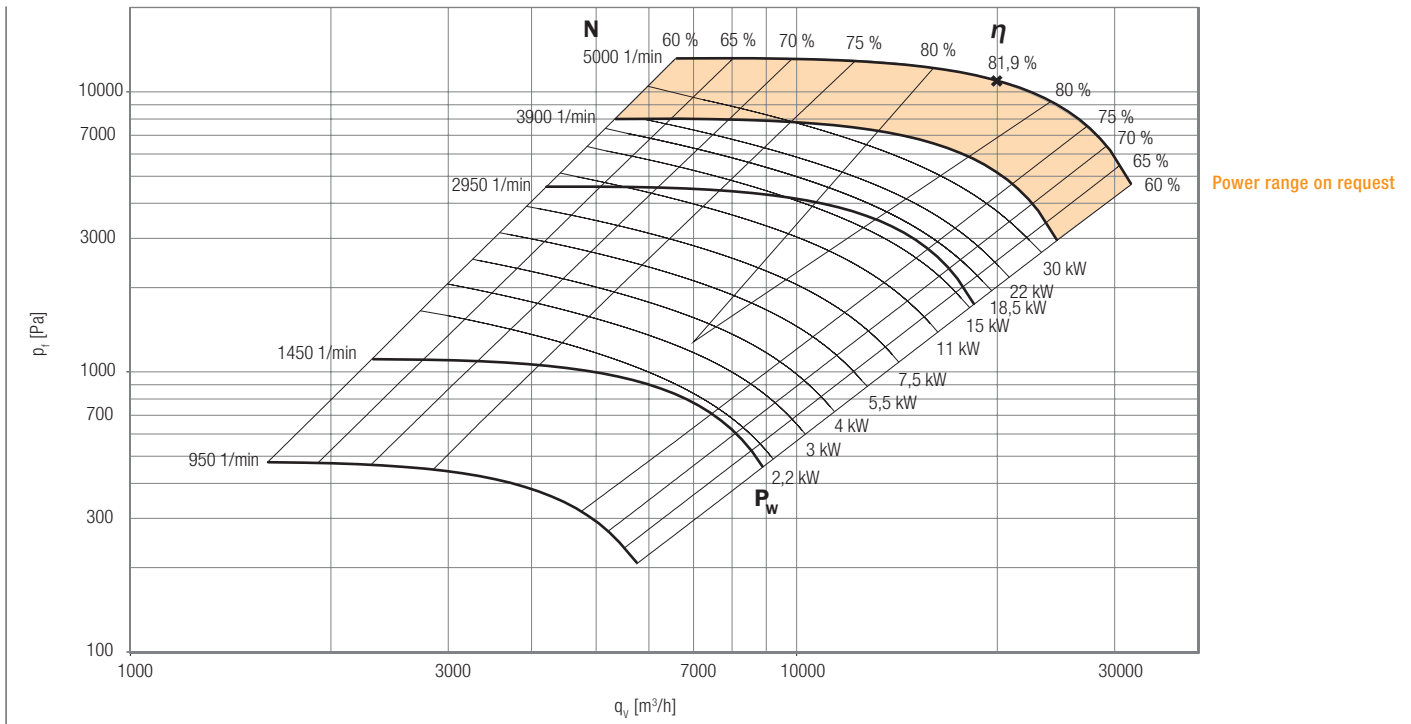
All indicated values for 400V/50Hz/3~.

h\*: Casing position: 0°, 90°

h\*\*: Casing position: 270°

# HREK01-56-0560 Centrifugal fan

Megatec by Poltrich DLK



Full specifications for accessoires, see page 122

## HREK01-56-0560-B

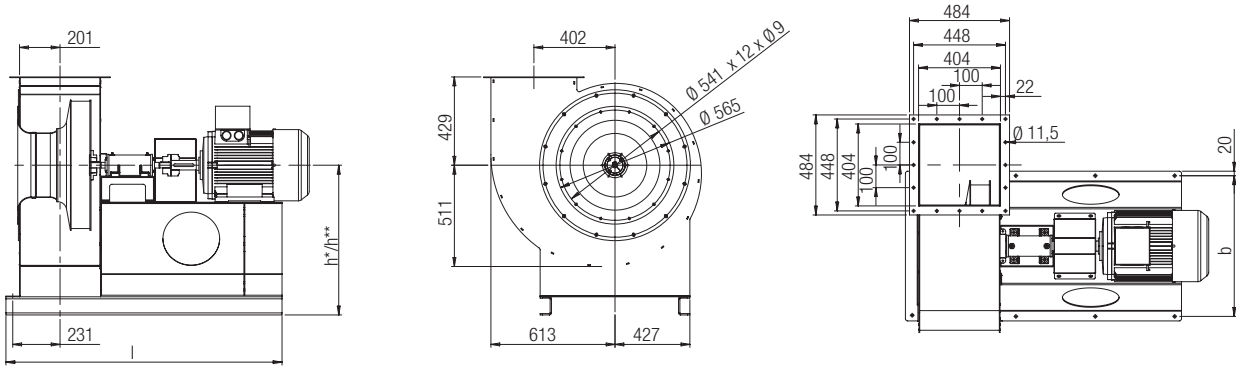
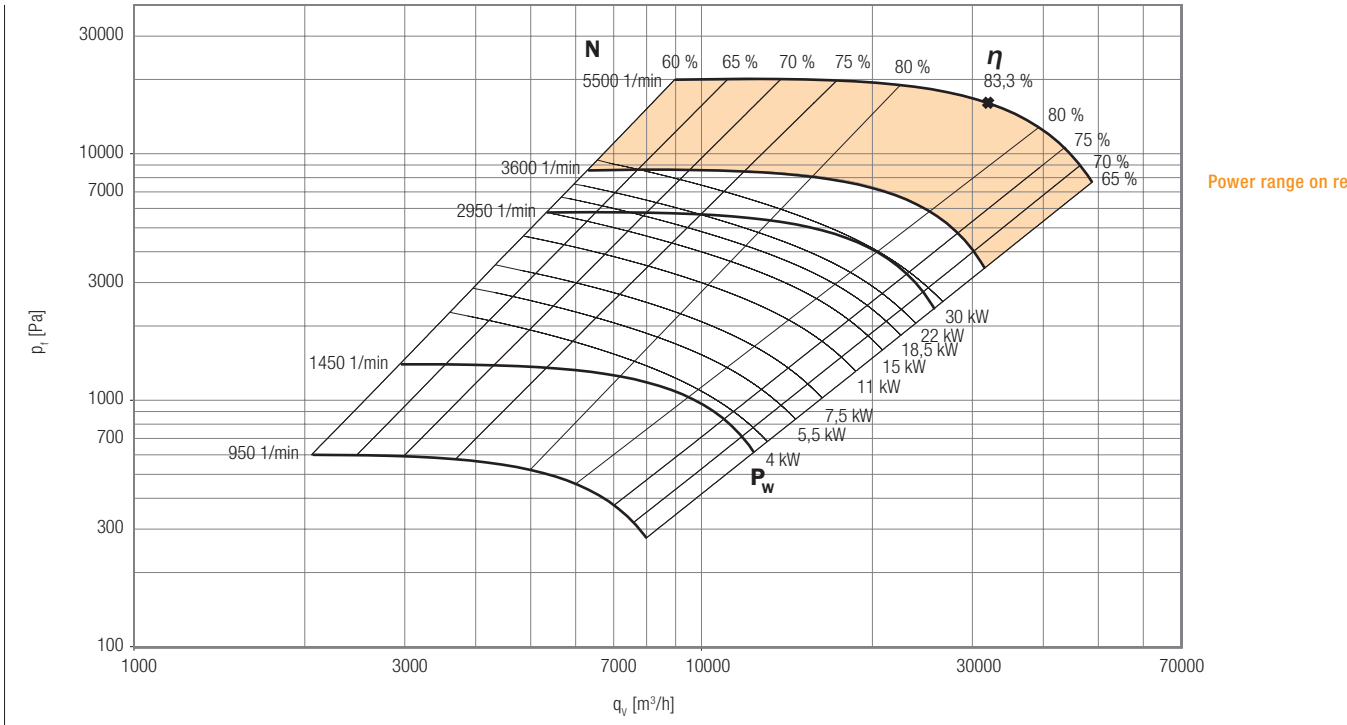
Order no. Fan	Motor power output [kW]	Speed [1/min]	Voltage [V] Connection	Nominal current [A]	Starting current [A]	Weight ca. [kg]	Order no. Z16	h* / h** [mm]	b [mm]	l [mm]
B110827	18.5	2937	400/690 Δ/Y	33.0	244.2	314	B149928	660/750	620	1547
B110828	22	2940	400/690 Δ/Y	38.1	297.2	350	B149928	660/750	620	1547
B110829	30	2950	400/690 Δ/Y	53.4	416.5	407	B149928	660/750	620	1547
B110830	2.2	1440	230/400 Δ/Y	4.6	32.5	192	B149380	660/750	620	1327
B110831	3	1440	230/400 Δ/Y	6.2	43.3	198	B149380	660/750	620	1327
B110832	4	1445	400/690 Δ/Y	8.1	60.9	203	B149380	660/750	620	1327
B110833	5.5	1455	400/690 Δ/Y	10.9	69.8	215	B128059	660/750	620	1347
B110834	7.5	1455	400/690 Δ/Y	14.5	101.5	226	B128059	660/750	620	1347
B110835	11	1460	400/690 Δ/Y	22.1	152.5	300	B149928	660/750	620	1547
B110836	15	1460	400/690 Δ/Y	29.6	222	277	B128059	660/750	620	1547
B110837	18.5	1470	400/690 Δ/Y	32.7	255.3	333	B149928	660/750	620	1547

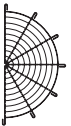
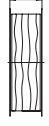
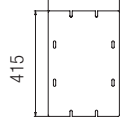


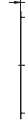


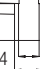

All indicated values for 400V/50Hz/3~.

h\*: Casing position: 0°, 90° h\*\*: Casing position: 270°

# HREK01-56-0630 Centrifugal fan

Megatec by Pollrich DLK



-   
**Z05** Protective grill suction side  
 Ord. no. B151068
  -   
**Z10** Flexible sleeve round  
 Ord. no. B141032
  -   
**Z13** Inspection hatch  
 Ord. no. B240512
  -   
**Z16** Rubber anti vibration mounts  
 (see below)
  -   
**Z18** Flange, round  
 Ord. no. B101447
  -   
**Z19** Flange, square  
 Ord. no. B101210
  -   
**Z45** Counter flange  
 Ord. no. B101415
  -   
**Z63** Transition piece, square to round  
 Ord. no. B101546
  -   
**Z81** Flexible sleeve square  
 Ord. no. B101283
  -   
**Z89** Condensate drain  
 Ord. no. B240506
- Full specifications for accessoires, see page 122

## HREK01-56-0630-B

Order no. Fan	Motor power output [kW]	Speed [1/min]	Voltage [V] Connection	Nominal current [A]	Starting current [A]	Weight ca. [kg]	Order no. Z16	h* / h** [mm]	b [mm]	l [mm]
B110838	30	2950	400/690 Δ/Y	53.4	411.2	442	B149928	715/815	690	1600
B110839	4	1445	400/690 Δ/Y	8.1	60.9	233	B128059	715/815	690	1528
B110840	5.5	1455	400/690 Δ/Y	10.9	69.8	245	B128059	715/815	690	1548
B110841	7.5	1455	400/690 Δ/Y	14.5	101.5	256	B128059	715/815	690	1548
B110842	11	1460	400/690 Δ/Y	22.1	152.5	330	B149928	715/815	690	1578
B110843	15	1460	400/690 Δ/Y	29.6	222.0	307	B149928	715/815	690	1578
B110844	18.5	1470	400/690 Δ/Y	32.7	255.3	363	B149928	715/815	690	1578
B110845	22	1470	400/690 Δ/Y	38.4	288.2	380	B149928	715/815	690	1578

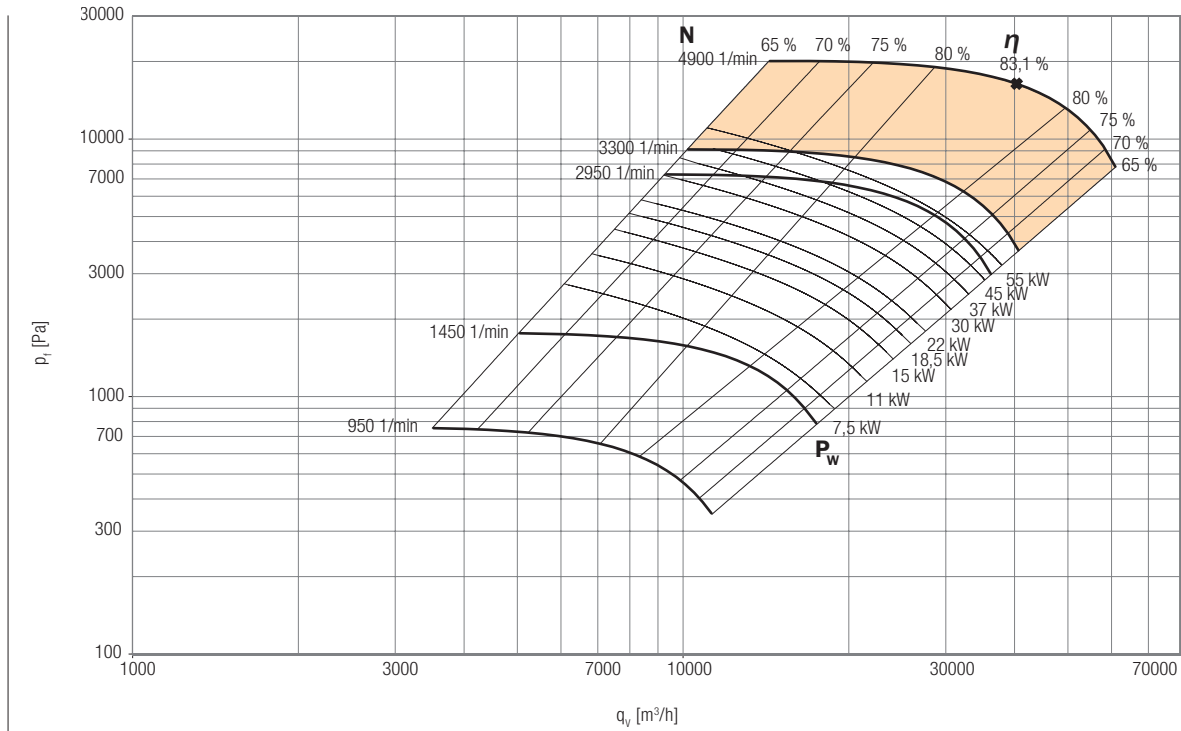
All indicated values for 400V/50Hz/3~.

h\*: Casing position: 0°, 90°

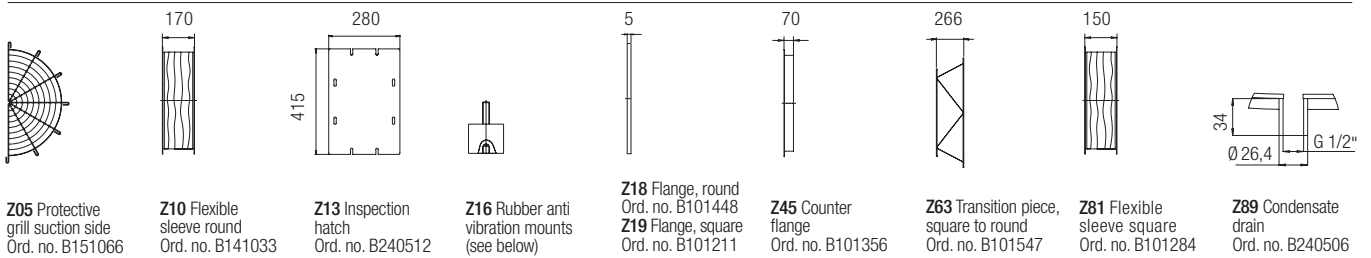
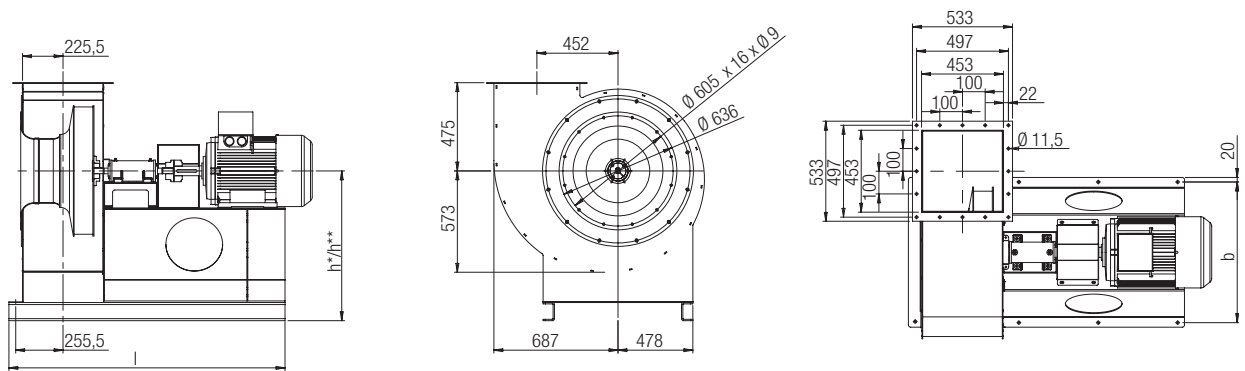
h\*\*: Casing position: 270°

# HREK01-56-0710 Centrifugal fan

Megatec by Poltrich DLK



Power range on request



Full specifications for accessoires, see page 122

## HREK01-56-0710-B

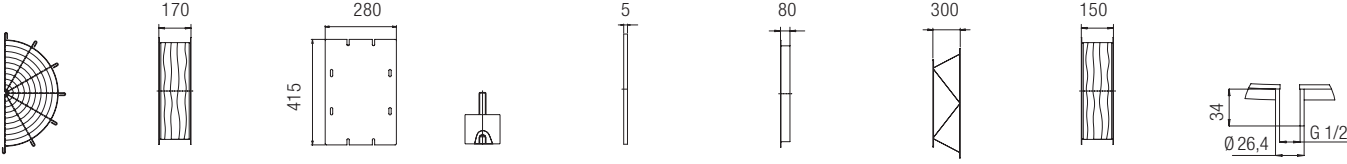
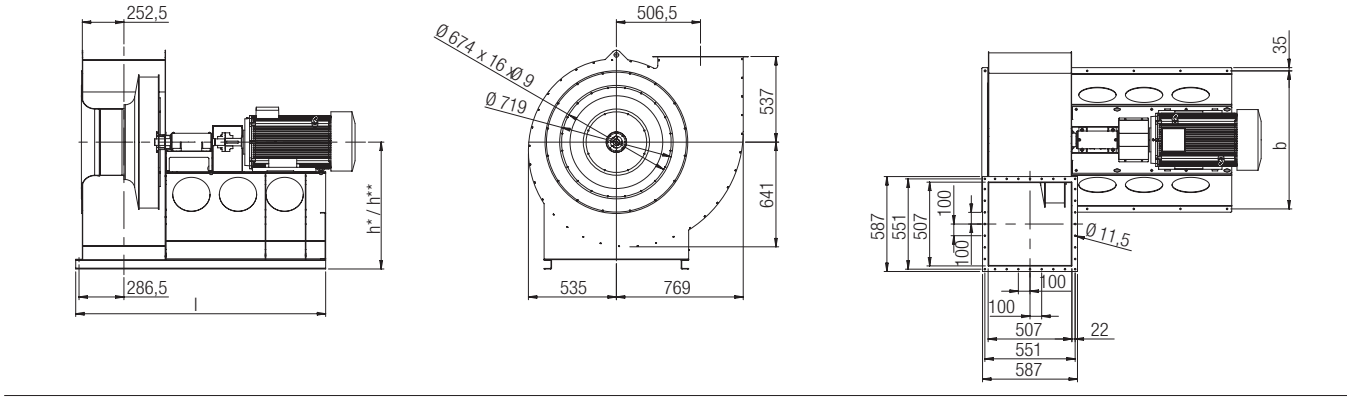
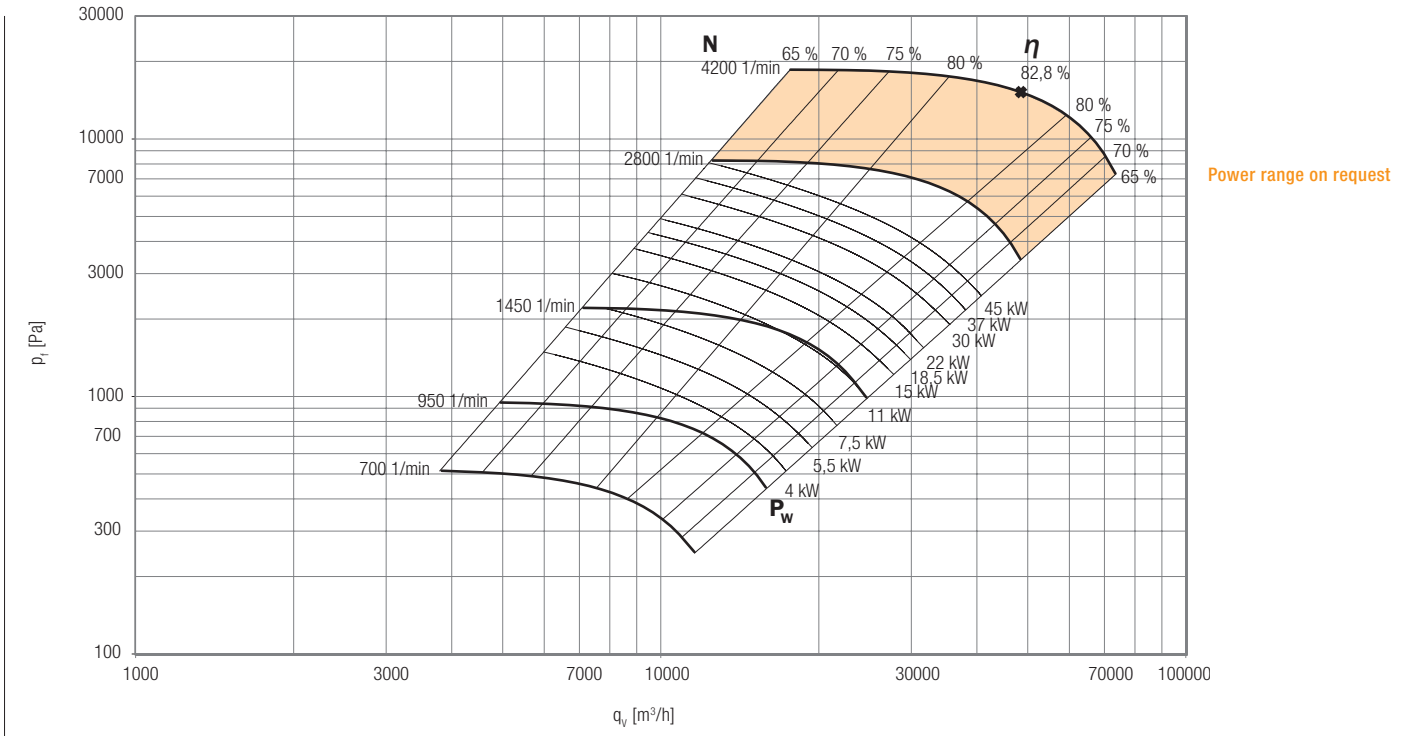
Order no. Fan	Motor power output [kW]	Speed [1/min]	Voltage [V] Connection	Nominal current [A]	Starting current [A]	Weight ca. [kg]	Order no. Z16	$h^* / h^{**}$ [mm]	b [mm]	l [mm]
B110846	55	2965	400/690 $\Delta/Y$	93.6	664.6	623	B149937	775/890	770	1819
B110847	7.5	1455	400/690 $\Delta/Y$	14.5	101.5	298	B128059	775/890	770	1619
B110848	11	1460	400/690 $\Delta/Y$	22.1	152.5	372	B149928	775/890	770	1649
B110849	15	1460	400/690 $\Delta/Y$	29.6	222.0	349	B149928	775/890	770	1649
B110850	18.5	1470	400/690 $\Delta/Y$	32.7	255.3	405	B149928	775/890	770	1649
B110851	22	1470	400/690 $\Delta/Y$	38.4	288.2	422	B149928	775/890	770	1649
B110852	30	1470	400/690 $\Delta/Y$	54.4	386.2	508	B149937	775/890	770	1794
B110853	37	1480	400/690 $\Delta/Y$	66.2	496.5	550	B149937	775/890	770	1824
B110854	45	1480	400/690 $\Delta/Y$	80.1	608.8	580	B149937	775/890	770	1824

All indicated values for 400V/50Hz/3~.

$h^*$ : Casing position: 0°, 90°  $h^{**}$ : Casing position: 270°

# HREK01-56-0800 Centrifugal fan

Megatec by Pollrich DLK



- Z05** Protective grill suction side  
Ord. no. B151088
- Z10** Flexible sleeve round  
Ord. no. B141035
- Z13** Inspection hatch  
Ord. no. B240512
- Z16** Rubber anti vibration mounts (see below)
- Z18** Flange, round  
Ord. no. B101449
- Z19** Flange, square  
Ord. no. B101254
- Z25** Counter flange  
Ord. no. B101416
- Z26** Transition piece, square to round  
Ord. no. B101548
- Z81** Flexible sleeve square  
Ord. no. B101326
- Z89** Condensate drain  
Ord. no. B240506

Full specifications for accessoires, see page 122

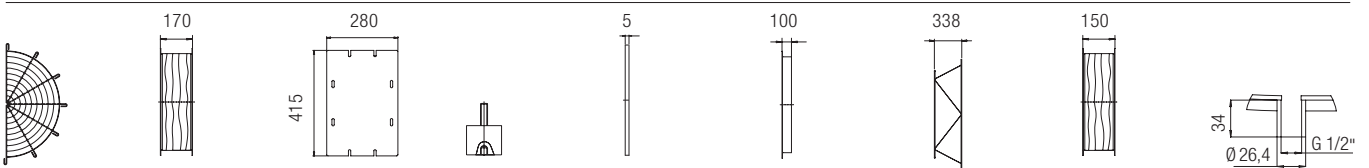
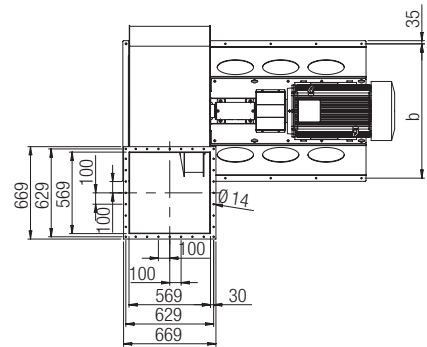
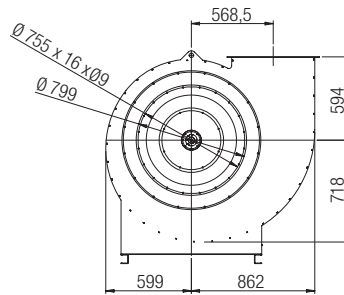
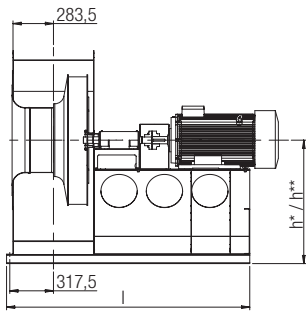
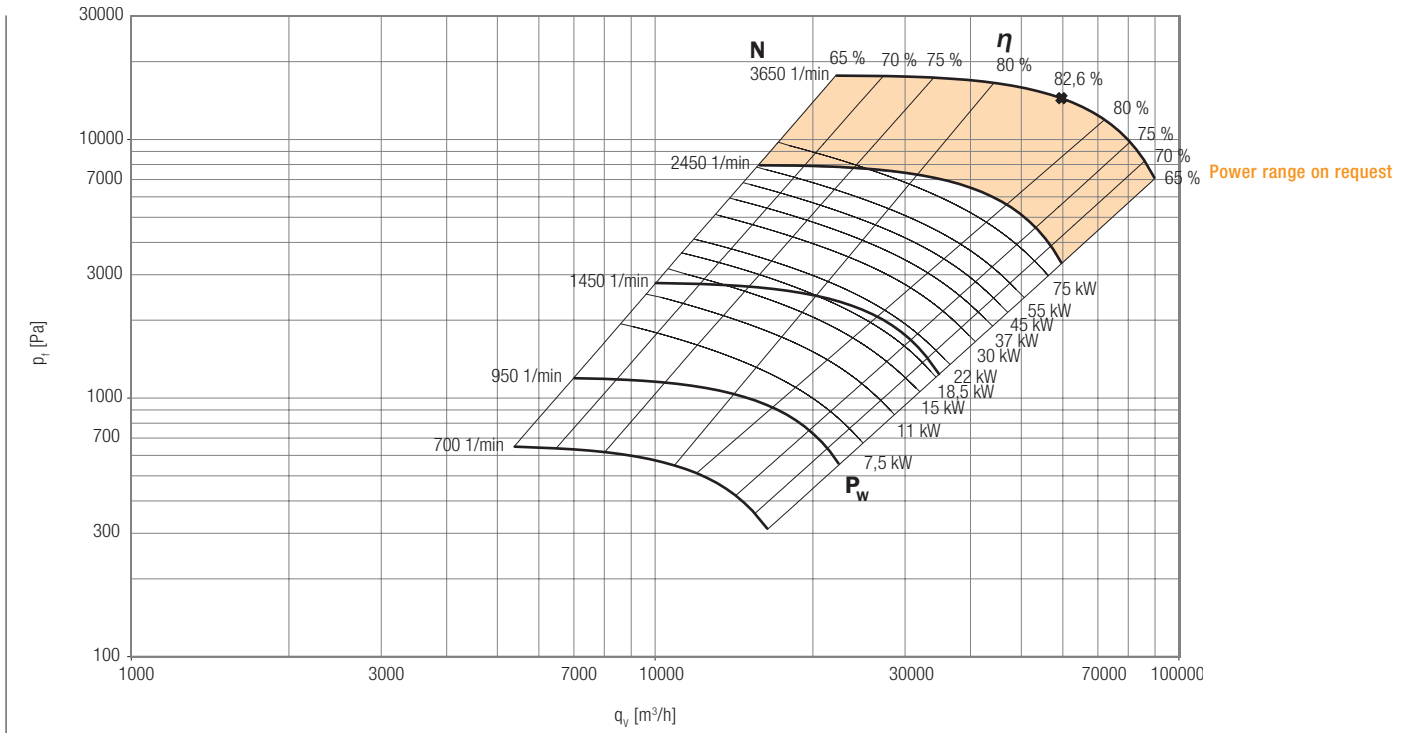
## HREK01-56-0800-B

Order no. Fan	Motor power output [kW]	Speed [1/min]	Voltage [V] Connection	Nominal current [A]	Starting current [A]	Weight ca. [kg]	Order no. Z16	h* / h** [mm]	b [mm]	l [mm]
B110855	15	1460	400/690 Δ/Y	29.6	210.8	402	B149928	865/990	880	1694
B110856	18.5	1470	400/690 Δ/Y	32.7	265.2	458	B149928	865/990	880	1730
B110857	22	1470	400/690 Δ/Y	38.4	301.5	475	B149928	865/990	880	1730
B110858	30	1470	400/690 Δ/Y	54.4	386.2	561	B149928	865/990	880	1821
B110859	37	1480	400/690 Δ/Y	66.2	496.5	603	B149937	865/990	880	1891
B110860	45	1480	400/690 Δ/Y	80.1	608.8	633	B149937	865/990	880	1891
B110861	4	965	400/690 Δ/Y	9.0	44.8	339	B128059	865/990	880	1517
B110862	5.5	965	400/690 Δ/Y	12.0	66.0	350	B128059	865/990	880	1517
B110863	7.5	970	400/690 Δ/Y	15.9	103.4	386	B128059	865/990	880	1699
B110864	11	970	400/690 Δ/Y	22.1	171.8	436	B149928	865/990	880	1699
B110865	15	975	400/690 Δ/Y	29.8	190.7	488	B149928	865/990	880	1735

All indicated values for 400V/50Hz/3~. h\*: Casing position: 0°, 90° h\*\*: Casing position: 270°

# HREK01-56-0900 Centrifugal fan

Megatec by Poltrich DLK



**Z05** Protective grill suction side  
Ord. no. B151072

**Z10** Flexible sleeve round  
Ord. no. B141036

**Z13** Inspection hatch  
Ord. no. B240512

**Z16** Rubber anti vibration mounts (see below)

**Z18** Flange, round  
Ord. no. B101450  
**Z19** Flange, square  
Ord. no. B101255

**Z45** Counter flange  
Ord. no. B101417

**Z63** Transition piece, square to round  
Ord. no. B101549

**Z81** Flexible sleeve square  
Ord. no. B101327

**Z89** Condensate drain  
Ord. no. B240506

Full specifications for accessoires, see page 122

## HREK01-56-0900-B

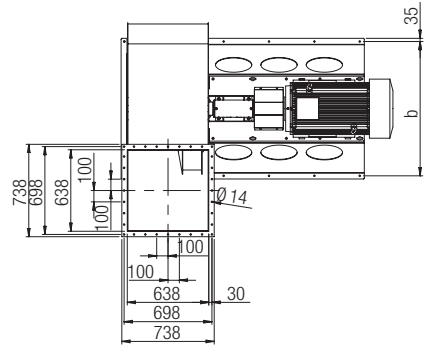
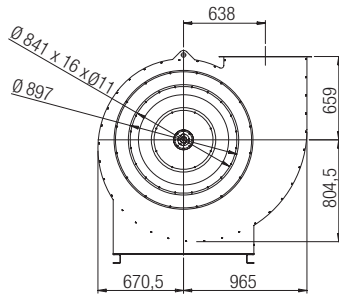
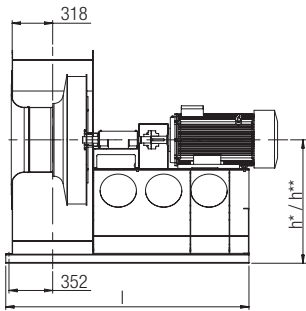
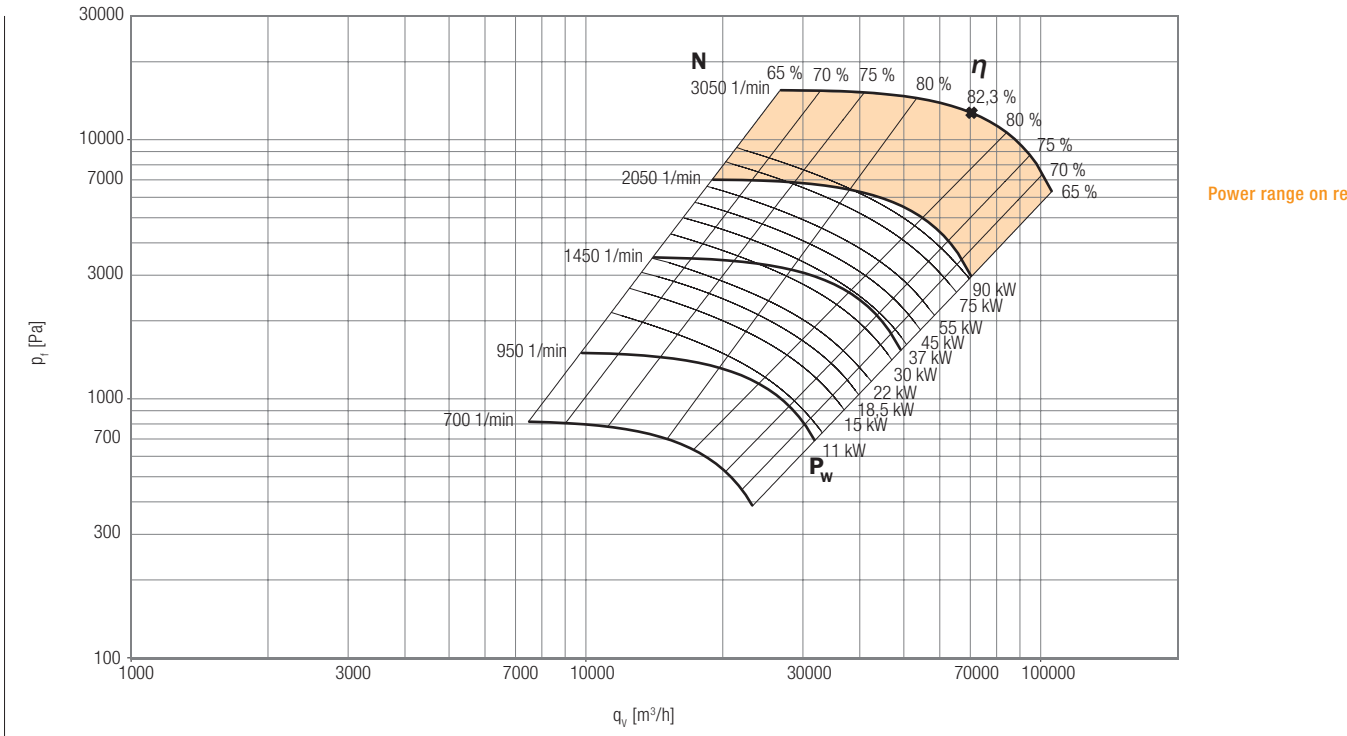
Order no. Fan	Motor power output [kW]	Speed [1/min]	Voltage [V] Connection	Nominal current [A]	Starting current [A]	Weight ca. [kg]	Order no. Z16	h* / h** [mm]	b [mm]	l [mm]
B110866	22	1470	400/690 Δ/Y	38.4	301.5	566	B149928	940/1085	980	1828
B110867	30	1470	400/690 Δ/Y	54.4	386.2	652	B149937	940/1085	980	1919
B110868	37	1480	400/690 Δ/Y	66.2	496.5	694	B149937	940/1085	980	1986
B110869	45	1480	400/690 Δ/Y	80.1	608.8	724	B149937	940/1085	980	1986
B110870	55	1480	400/690 Δ/Y	96.7	711.8	771	B149937	940/1085	980	2047
B110871	75	1480	400/690 Δ/Y	131.0	1003.2	903	B149937	940/1085	980	2119
B110872	7.5	970	400/690 Δ/Y	15.9	103.4	469	B149928	940/1085	980	1792
B110873	11	970	400/690 Δ/Y	22.1	171.8	519	B149928	940/1085	980	1792
B110874	15	975	400/690 Δ/Y	29.8	190.7	571	B149928	940/1085	980	1828
B110875	18.5	980	400/690 Δ/Y	35.7	254.8	573	B149928	940/1085	980	1919
B110876	22	980	400/690 Δ/Y	41.6	294.0	603	B149937	940/1085	980	1919



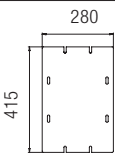
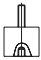






All indicated values for 400V/50Hz/3~.

h\*: Casing position: 0°, 90° h\*\*: Casing position: 270°

# HREK01-56-1000 Centrifugal fan

Megatec by Pollrich DLK



-   
**Z05** Protective grill suction side  
 Ord. no. B151092
-   
**Z10** Flexible sleeve round  
 Ord. no. B141038
-   
**Z13** Inspection hatch  
 Ord. no. B240512
-   
**Z16** Rubber anti vibration mounts  
 (see below)
-   
**Z18** Flange, round  
 Ord. no. B101452
-   
**Z19** Flange, square  
 Ord. no. B101257
-   
**Z45** Counter flange  
 Ord. no. B101419
-   
**Z63** Transition piece, square to round  
 Ord. no. B101551
-   
**Z81** Flexible sleeve square  
 Ord. no. B101329
-   
**Z89** Condensate drain  
 Ord. no. B240506

Full specifications for accessoires, see page 122

## HREK01-56-1000-B

Order no. Fan	Motor power output [kW]	Speed [1/min]	Voltage [V] Connection	Nominal current [A]	Starting current [A]	Weight ca. [kg]	Order no. Z16	h* / h** [mm]	b [mm]	l [mm]
B110877	37	1480	400/690 Δ/Y	66.2	496.5	787	B149937	1025/1185	1080	2118
B110878	45	1480	400/690 Δ/Y	80.1	608.8	817	B149937	1025/1185	1080	2118
B110879	55	1480	400/690 Δ/Y	96.7	711.8	864	B149937	1025/1185	1080	2179
B110880	75	1480	400/690 Δ/Y	131.0	1003.2	996	B149948	1025/1185	1080	2251
B110881	90	1480	400/690 Δ/Y	157.0	1185.0	1094	B149948	1025/1185	1080	2216
B110882	15	975	400/690 Δ/Y	29.8	190.7	673	B149937	1025/1185	1080	1897
B110883	18.5	980	400/690 Δ/Y	35.7	254.8	675	B149937	1025/1185	1080	1988
B110884	22	980	400/690 Δ/Y	41.6	294.0	705	B149937	1025/1185	1080	1988
B110885	30	980	400/690 Δ/Y	56.2	365.3	773	B149937	1025/1185	1080	2058
B110886	37	980	400/690 Δ/Y	66.9	464.4	849	B149937	1025/1185	1080	2119
B110887	11	730	400/690 Δ/Y	23.4	142.8	635	B149937	1025/1185	1080	1897

All indicated values for 400V/50Hz/3~.

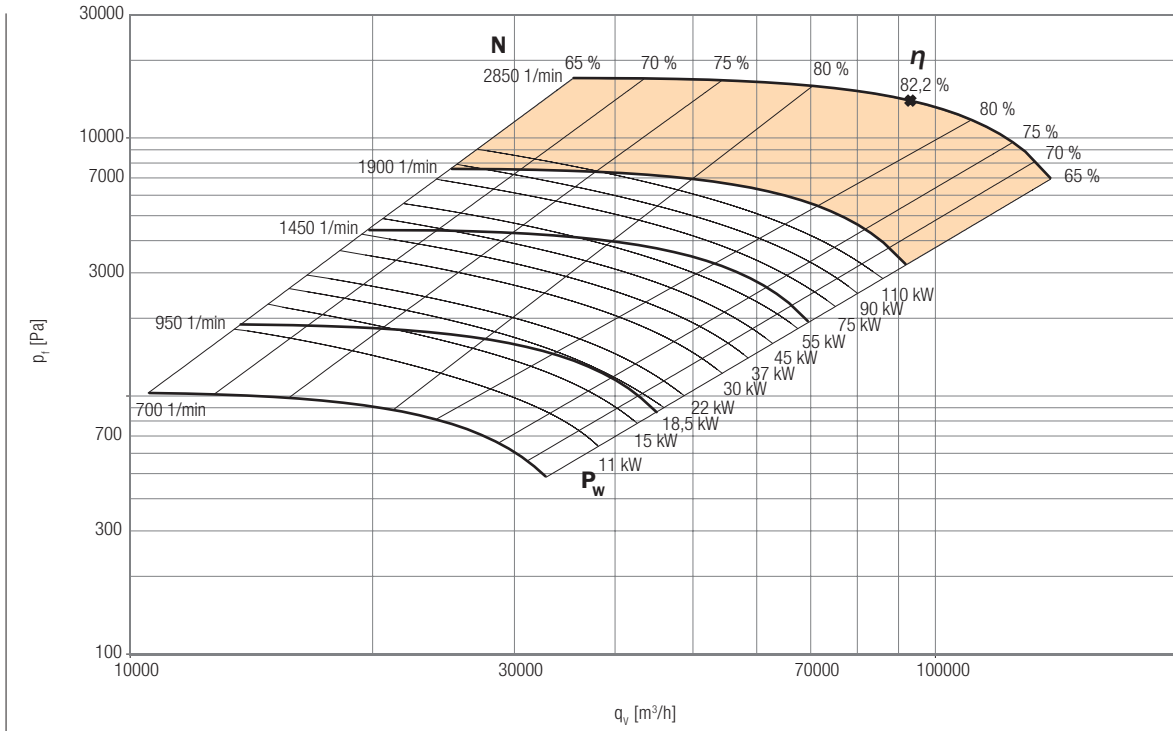
h\*: Casing position: 0°, 90°

h\*\*: Casing position: 270°

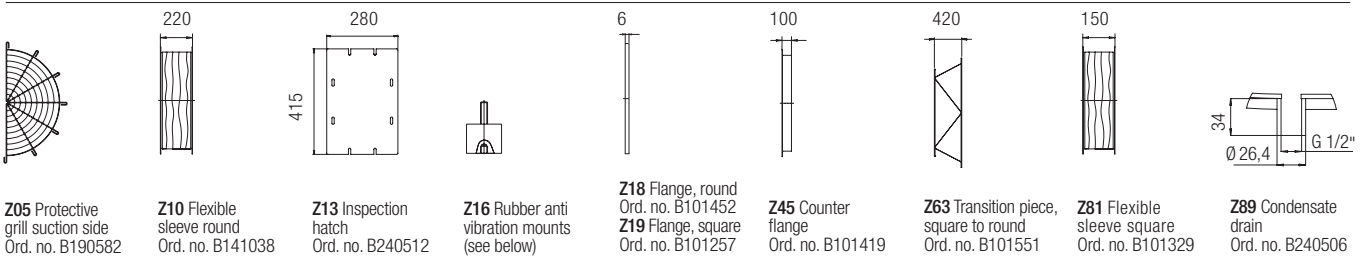
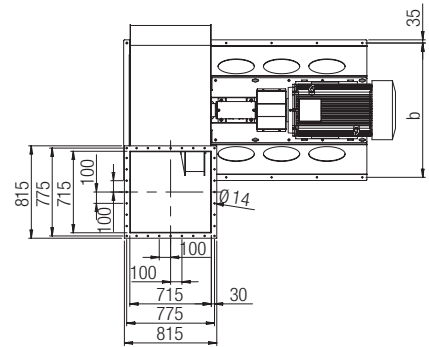
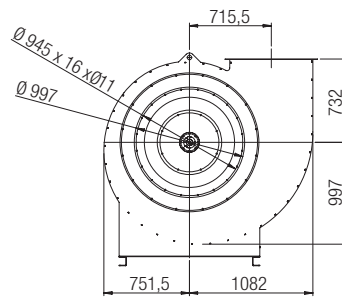
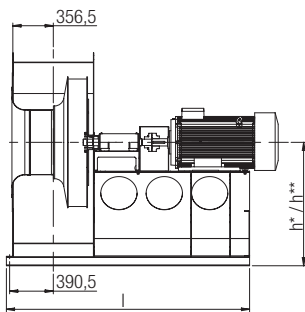


# HREK01-56-1120 Centrifugal fan

Megatec by Poltrich DLK



Power range on request



Full specifications for accessoires, see page 122

## HREK01-56-1120-B

Order no. Fan	Motor power output [kW]	Speed [1/min]	Voltage [V] Connection	Nominal current [A]	Starting current [A]	Weight ca. [kg]	Order no. Z16	h* / h** [mm]	b [mm]	l [mm]
B110888	75	1480	400/690 Δ/Y	131.0	1003.2	1166	B149948	1125/1305	1200	2420
B110889	90	1480	400/690 Δ/Y	157.0	1185.0	1262	B149948	1125/1305	1200	2420
B110890	110	1485	400/690 Δ/Y	191.0	1356.1	1605	B149948	1125/1305	1200	2653
B110891	18.5	980	400/690 Δ/Y	35.7	254.8	821	B149937	1125/1305	1200	2107
B110892	22	980	400/690 Δ/Y	41.6	294.0	851	B149937	1125/1305	1200	2107
B110893	30	980	400/690 Δ/Y	56.2	365.3	943	B149937	1125/1305	1200	2287
B110894	37	980	400/690 Δ/Y	66.9	464.4	1019	B149948	1125/1305	1200	2348
B110895	45	980	400/690 Δ/Y	80.4	570.5	1141	B149948	1125/1305	1200	2420
B110896	55	980	400/690 Δ/Y	96.6	704.3	1196	B149948	1125/1305	1200	2420
B110897	75	985	400/690 Δ/Y	132.1	978.2	1570	B149948	1125/1305	1200	2653
B110898	11	730	400/690 Δ/Y	23.4	142.8	781	B149937	1125/1305	1200	2016
B110899	15	730	400/690 Δ/Y	32.1	213.8	849	B149937	1125/1305	1200	2107

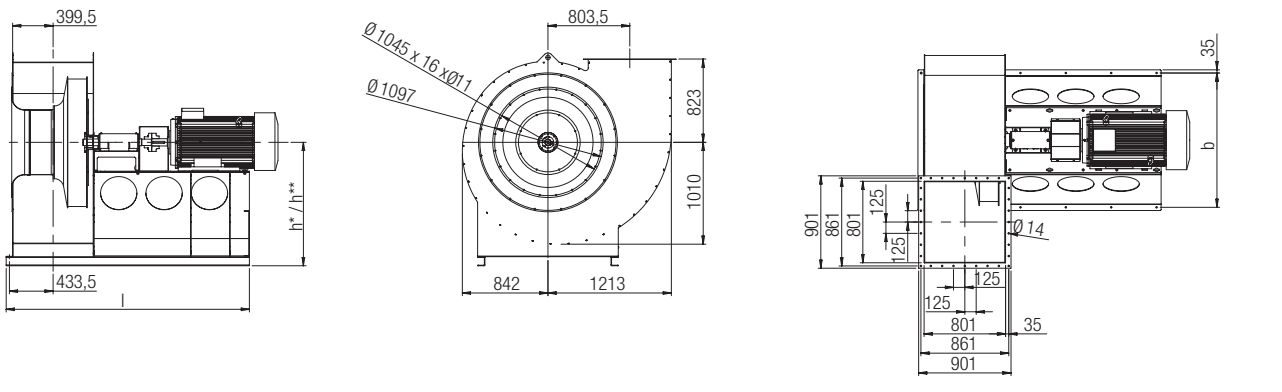
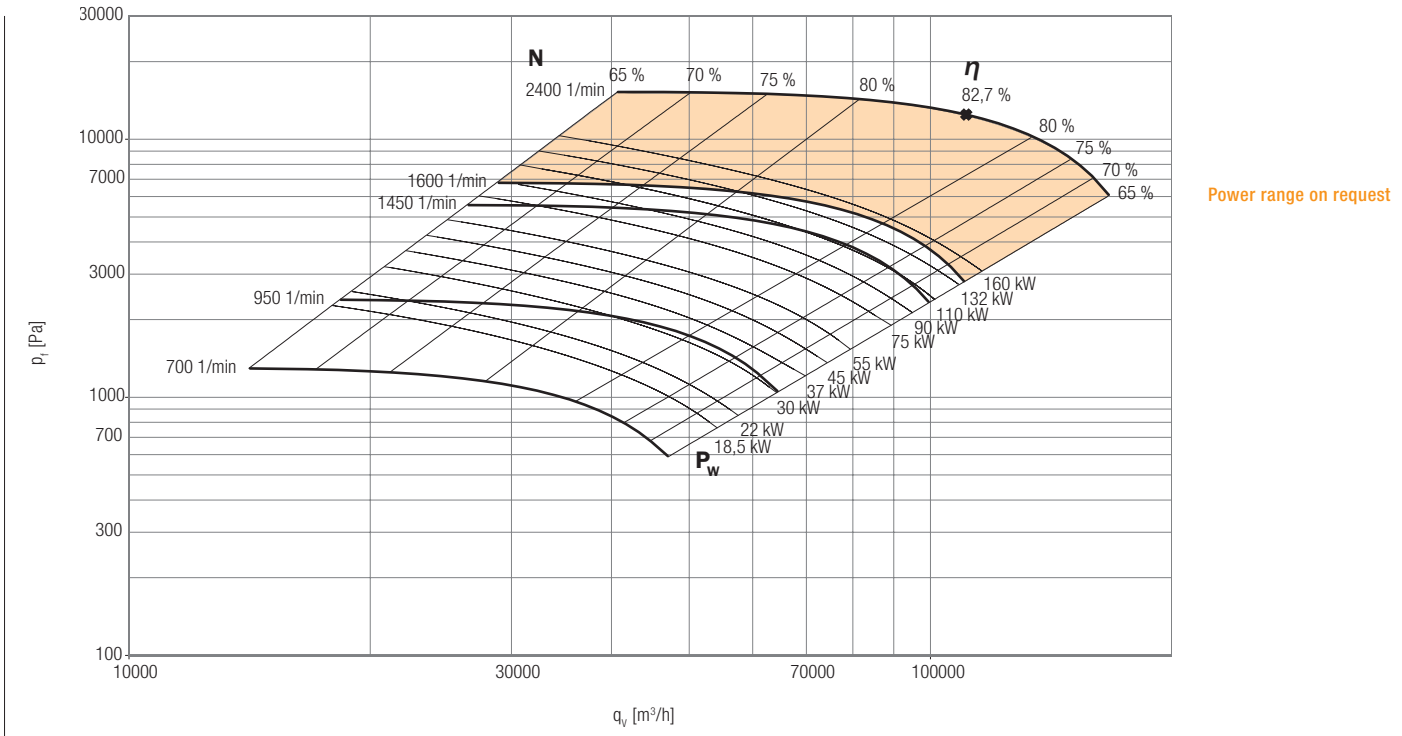
All indicated values for 400V/50Hz/3~.

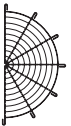
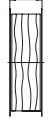
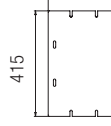





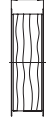

h\*: Casing position: 0°, 90°

h\*\*: Casing position: 270°

# HREK01-56-1250 Centrifugal fan

Megatec by Pollrich DLK



-   
**Z05** Protective grill suction side  
 Ord. no. B151090
  -   
**Z10** Flexible sleeve round  
 Ord. no. B141054
  -   
**Z13** Inspection hatch  
 Ord. no. B240512
  -   
**Z16** Rubber anti vibration mounts  
 (see below)
  -   
**Z18** Flange, round  
 Ord. no. B101453
  -   
**Z19** Flange, square  
 Ord. no. B101258
  -   
**Z45** Counter flange  
 Ord. no. B101420
  -   
**Z63** Transition piece, square to round  
 Ord. no. B101552
  -   
**Z81** Flexible sleeve square  
 Ord. no. B101330
  -   
**Z89** Condensate drain  
 Ord. no. B240506
- Full specifications for accessoires, see page 122

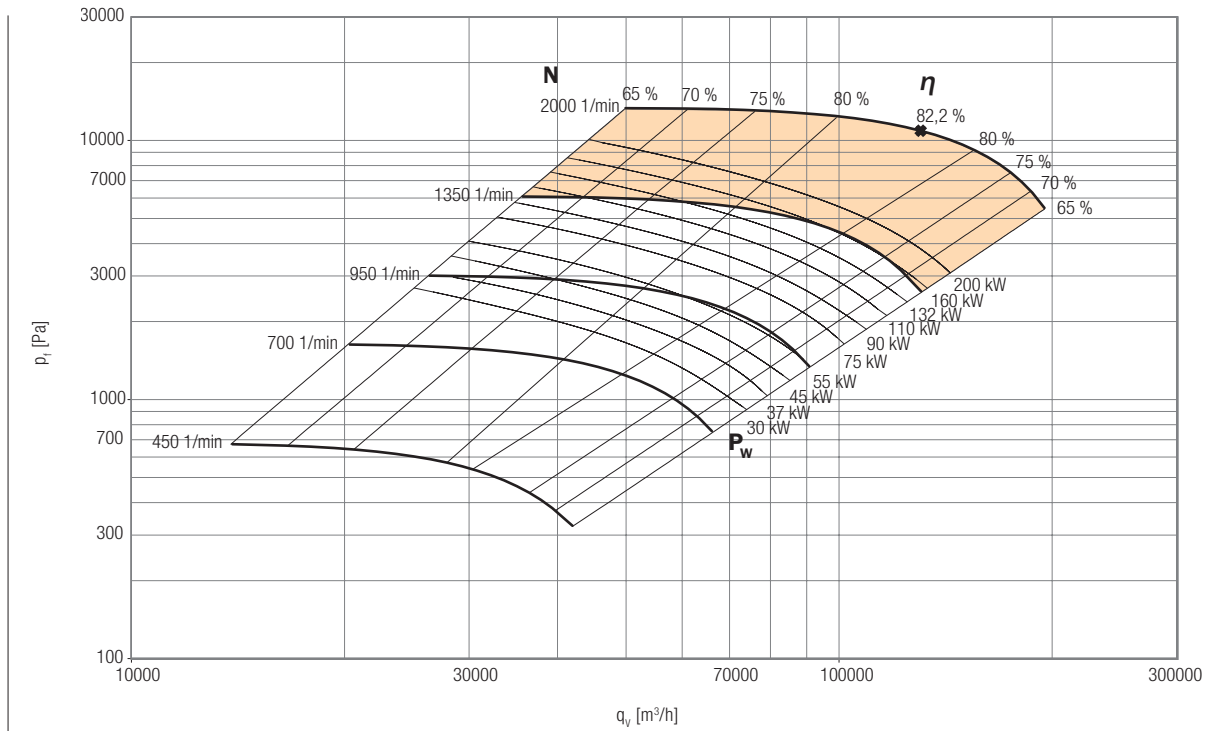
**HREK01-56-1250-B**

Order no. Fan	Motor power output [kW]	Speed [1/min]	Voltage [V] Connection	Nominal current [A]	Starting current [A]	Weight ca. [kg]	Order no. Z16	h* / h** [mm]	b [mm]	l [mm]
B110900	110	1485	400/690 Δ/Y	191.0	1356.1	1950	B250291	1235/1435	1330	2922
B110901	132	1485	400/690 Δ/Y	228.0	1664.4	2037	B250291	1235/1435	1330	2922
B110902	160	1485	400/690 Δ/Y	273.0	2020.2	2107	B250291	1235/1435	1330	2922
B110903	30	980	400/690 Δ/Y	56.2	365.3	1154	B149948	1235/1435	1330	2346
B110904	37	980	400/690 Δ/Y	66.9	464.4	1230	B149948	1235/1435	1330	2407
B110905	45	980	400/690 Δ/Y	80.4	570.5	1352	B149948	1235/1435	1330	2479
B110906	55	980	400/690 Δ/Y	96.6	704.3	1407	B149948	1235/1435	1330	2479
B110907	75	985	400/690 Δ/Y	132.1	978.2	1801	B149948	1235/1435	1330	2742
B110908	90	985	400/690 Δ/Y	159.0	1136.0	1879	B250291	1235/1435	1330	2742
B110909	110	985	400/690 Δ/Y	194.0	1450.4	1951	B250291	1235/1435	1330	2742
B110910	18.5	730	400/690 Δ/Y	39.0	257.4	1099	B149948	1235/1435	1330	2356
B110911	22	730	400/690 Δ/Y	44.2	297.0	1122	B149948	1235/1435	1330	2356

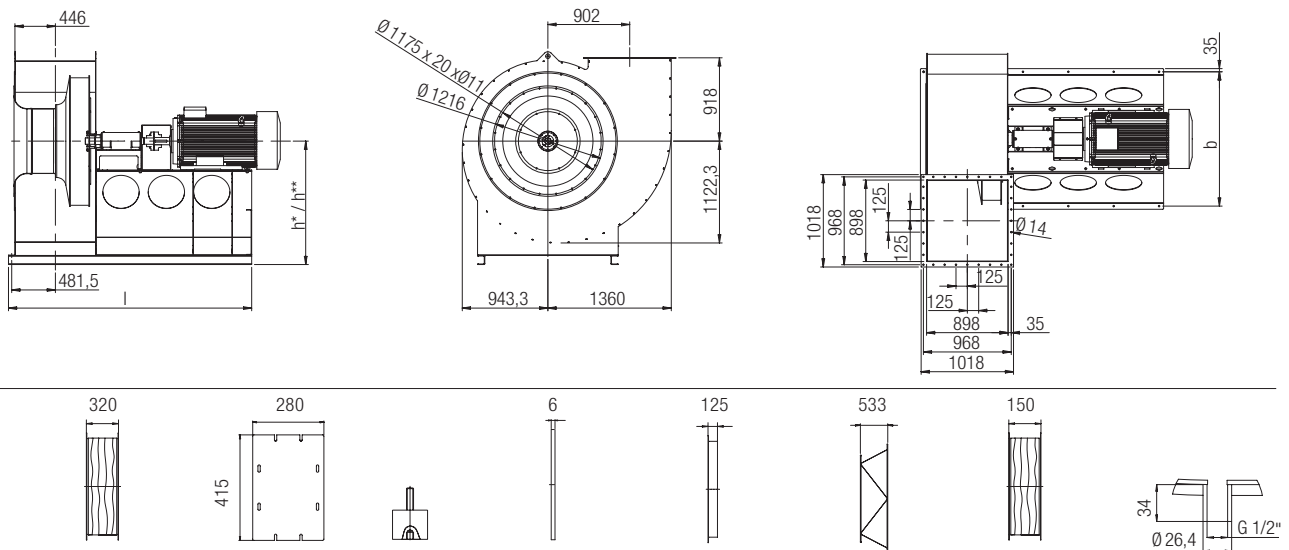
All indicated values for 400V/50Hz/3~. h\*: Casing position: 0°, 90° h\*\*: Casing position: 270°

# HREK01-56-1400 Centrifugal fan

Megatec by Poltrich DLK



Power range on request



**Z05** Protective grill suction side  
Ord. no. B151089

**Z10** Flexible sleeve round  
Ord. no. B141040

**Z13** Inspection hatch  
Ord. no. B240512

**Z16** Rubber anti vibration mounts (see below)

**Z18** Flange, round  
Ord. no. B101452  
**Z19** Flange, square  
Ord. no. B101454

**Z45** Counter flange  
Ord. no. B101421

**Z63** Transition piece, square to round  
Ord. no. B101553

**Z81** Flexible sleeve square  
Ord. no. B101331

**Z89** Condensate drain  
Ord. no. B240506

Full specifications for accessoires, see page 122

## HREK01-56-1400-B

Order no. Fan	Motor power output [kW]	Speed [1/min]	Voltage [V] Connection	Nominal current [A]	Starting current [A]	Weight ca. [kg]	Order no. Z16	h* / h** [mm]	b [mm]	l [mm]
B110912	75	985	400/690 D/Y	132.1	978.2	2142	B250291	1360/1680	1480	2841
B110913	90	985	400/690 D/Y	159.0	1136.0	2220	B250291	1360/1680	1480	2841
B110914	110	985	400/690 D/Y	194.0	1450.4	2292	B250291	1360/1680	1480	2841
B110915	132	985	400/690 D/Y	229.0	1755.6	2412	B250291	1360/1680	1480	2841
B110916	160	990	400/690 D/Y	274.0	2105.2	2781	B250291	1360/1680	1480	3153
B110917	200	990	400/690 D/Y	345.0	2691.0	2831	B250291	1360/1680	1480	3153
B110918	30	735	400/690 D/Y	60.2	401.3	1579	B149948	1360/1680	1480	2536
B110919	37	735	400/690 D/Y	72.6	488.4	1695	B149948	1360/1680	1480	2608
B110920	45	735	400/690 D/Y	88.0	589.4	1761	B149948	1360/1680	1480	2608
B110921	55	735	400/690 D/Y	104.0	693.0	2127	B250291	1360/1680	1480	2841
B110922	75	735	400/690 D/Y	141.0	943.8	2227	B250291	1360/1680	1480	2841
B110923	90	735	400/690 D/Y	167.0	1115.4	2282	B250291	1360/1680	1480	2841

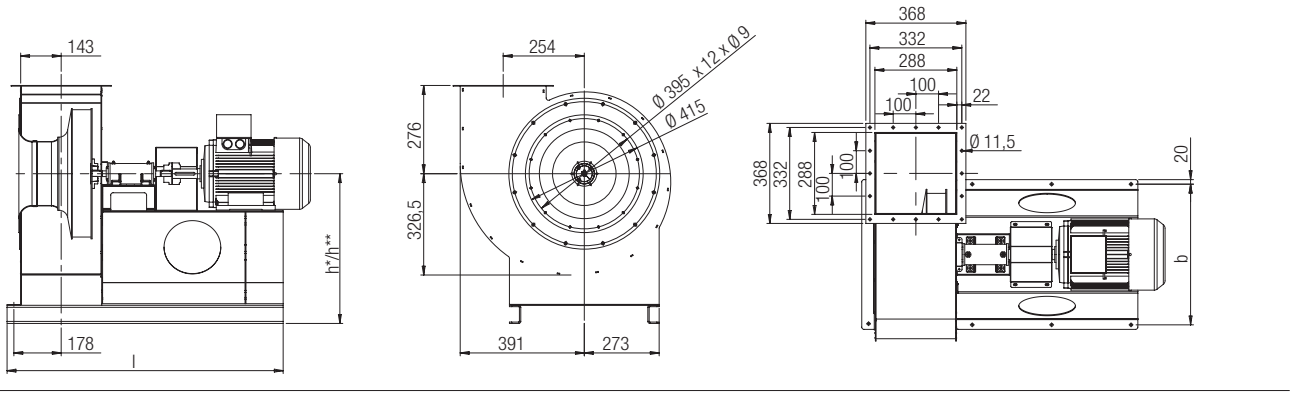
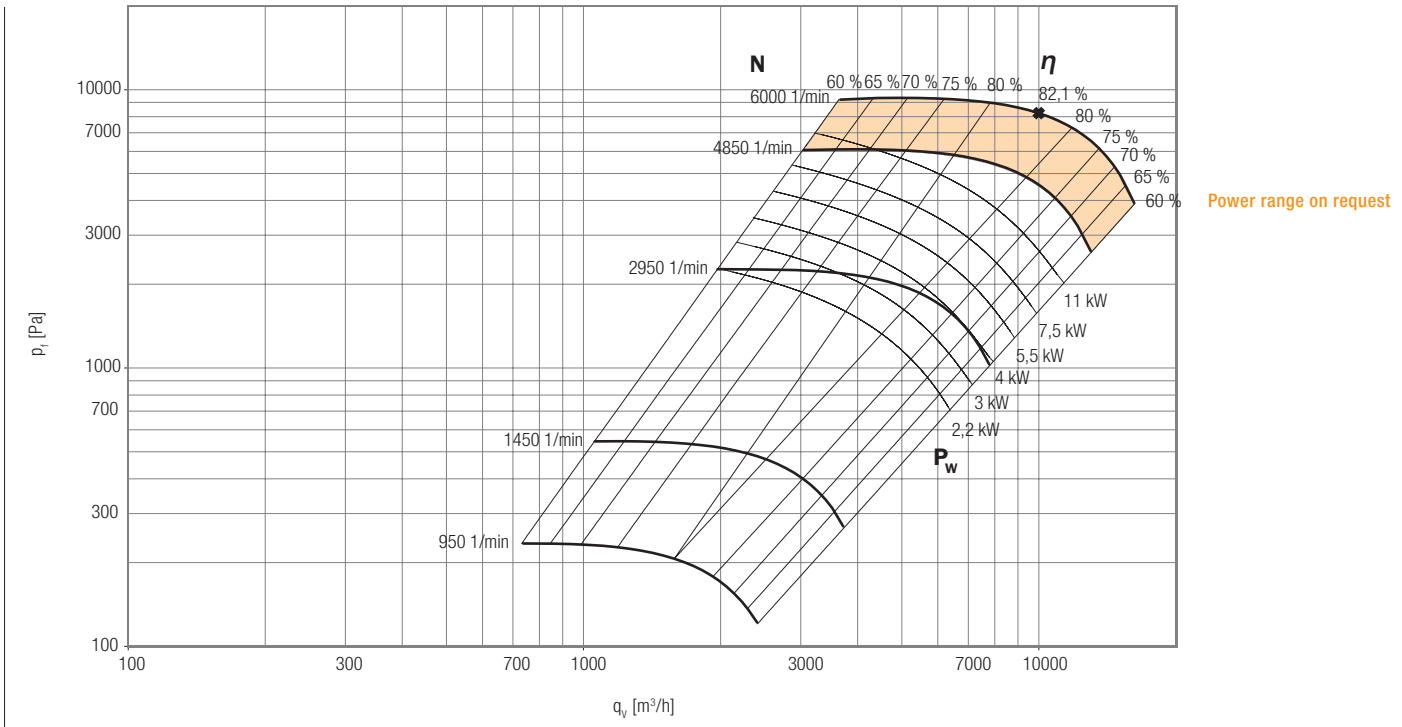
All indicated values for 400V/50Hz/3~.

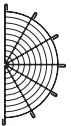
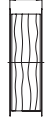
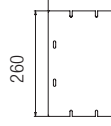




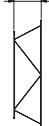
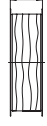

h\*: Casing position: 0°, 90°

h\*\*: Casing position: 270°

# HREK01-63-0400 Centrifugal fan

Megatec by Pollrich DLK



-   
**Z05** Protective grill suction side  
 Ord. no. B151074
  -   
**Z10** Flexible sleeve round  
 Ord. no. B141029
  -   
**Z13** Inspection hatch  
 Ord. no. B240509
  -   
**Z16** Rubber anti vibration mounts  
 (see below)
  -   
**Z18** Flange, round  
 Ord. no. B101444
  -   
**Z19** Flange, square  
 Ord. no. B101207
  -   
**Z45** Counter flange  
 Ord. no. B101414
  -   
**Z63** Transition piece, square to round  
 Ord. no. B101554
  -   
**Z81** Flexible sleeve square  
 Ord. no. B101280
  -   
**Z89** Condensate drain  
 Ord. no. B240506
- Full specifications for accessoires, see page 122

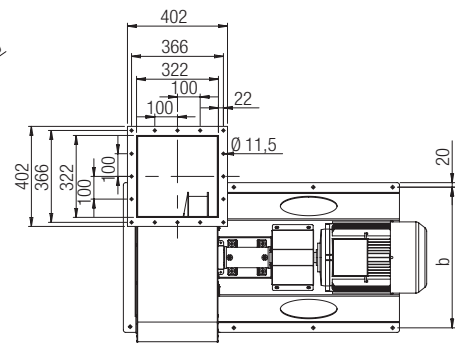
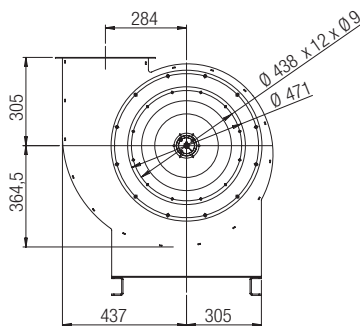
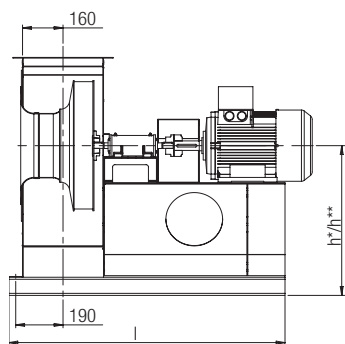
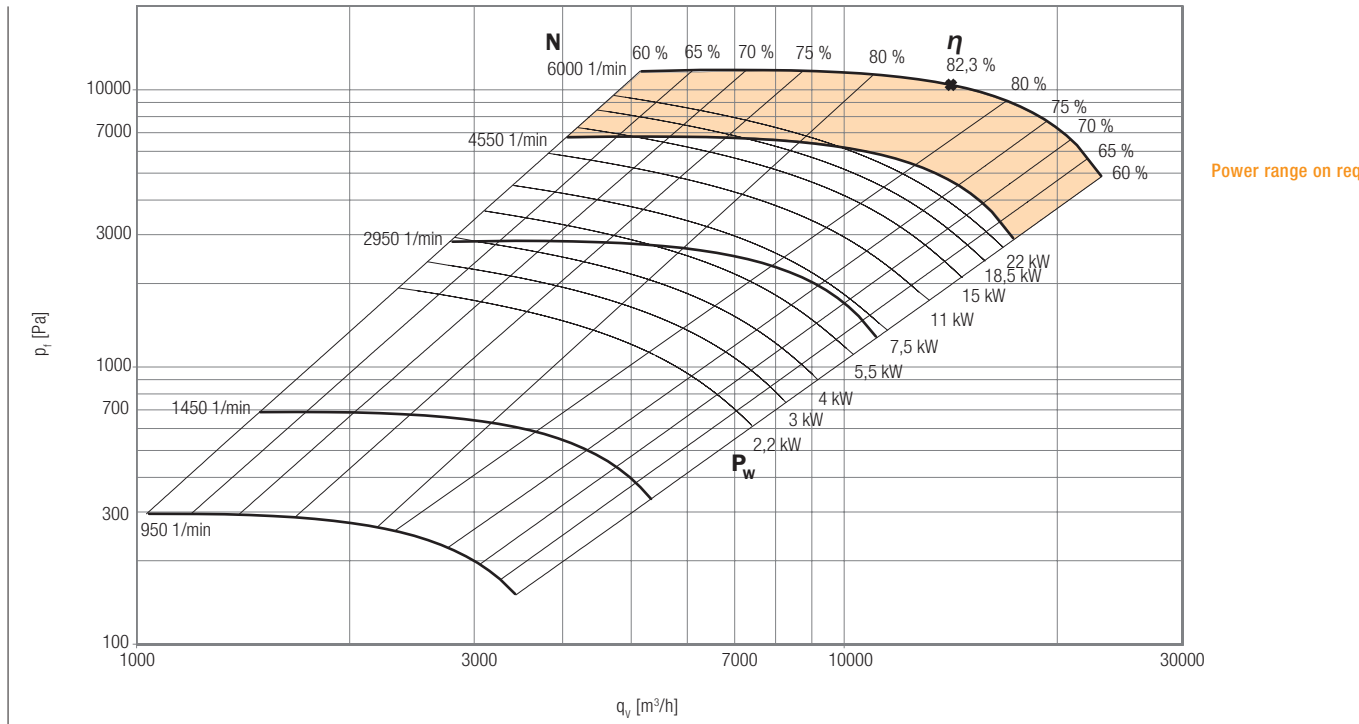
**HREK01-63-0400-B**

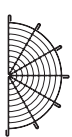
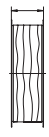
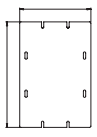




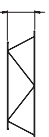

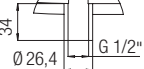
Order no. Fan	Motor power output [kW]	Speed [1/min]	Voltage [V] Connection	Nominal current [A]	Starting current [A]	Weight ca. [kg]	Order no. Z16	h* / h** [mm]	b [mm]	l [mm]
B110924	3	2891	230/400 Δ/Y	5.9	46.9	142	B149380	530/595	460	1274
B110925	4	2914	400/690 Δ/Y	7.6	57.3	145	B149380	530/595	460	1274
B110926	5.5	2937	400/690 Δ/Y	10.6	79.5	162	B149380	530/595	460	1294
B110927	7.5	2940	400/690 Δ/Y	13.9	104.3	167	B149380	530/595	460	1294
B110928	11	2930	400/690 Δ/Y	19.9	148.9	210	B128059	530/595	460	1324
B110929	2.2	1440	230/400 Δ/Y	4.6	32.5	144	B149380	530/595	460	1274
B110930	3	1440	230/400 Δ/Y	6.2	43.3	150	B149380	530/595	460	1274

All indicated values for 400V/50Hz/3~. h\*: Casing position: 0°, 90° h\*\*: Casing position: 270°

# HREK01-63-0450 Centrifugal fan

Megatec by Poltrich DLK



-   
**Z05** Protective grill suction side  
Ord. no. B151061
  -   
**Z10** Flexible sleeve round  
Ord. no. B141030
  -   
**Z13** Inspection hatch  
Ord. no. B240512
  -   
**Z16** Rubber anti vibration mounts (see below)
  -   
**Z18** Flange, round  
Ord. no. B101445
  -   
**Z19** Flange, square  
Ord. no. B101208
  -   
**Z45** Counter flange  
Ord. no. B101422
  -   
**Z63** Transition piece, square to round  
Ord. no. B101555
  -   
**Z81** Flexible sleeve square  
Ord. no. B101281
  -   
**Z89** Condensate drain  
Ord. no. B240506
- Full specifications for accessoires, see page 122

## HREK01-63-0450-B

Order no. <b>Fan</b>	Motor power output [kW]	Speed [1/min]	Voltage [V] Connection	Nominal current [A]	Starting current [A]	Weight ca. [kg]	Order no. <b>Z16</b>	h* / h** [mm]	b [mm]	l [mm]
B110931	7.5	2940	400/690 Δ/Y	13.9	104.3	180	B149380	565/640	510	1308
B110932	11	2930	400/690 Δ/Y	19.9	151.2	223	B128059	565/640	510	1465
B110933	15	2930	400/690 Δ/Y	26.6	204.4	249	B128059	565/640	510	1465
B110934	18.5	2937	400/690 Δ/Y	33.0	244.2	279	B128059	565/640	510	1465
B110935	22	2940	400/690 Δ/Y	38.1	308.1	315	B149928	565/640	510	1465
B110936	2.2	1440	230/400 Δ/Y	4.6	32.5	157	B149380	565/640	510	1288
B110937	3	1440	230/400 Δ/Y	6.2	43.3	163	B149380	565/640	510	1288
B110938	4	1445	400/690 Δ/Y	8.1	60.9	168	B149380	565/640	510	1288
B110939	5.50	1455	400/690 Δ/Y	10.9	69.8	180	B149380	565/640	510	1308

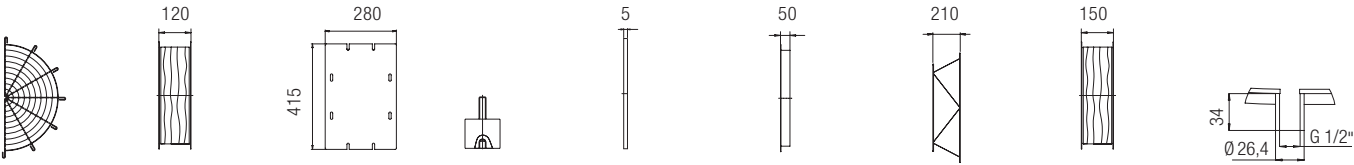
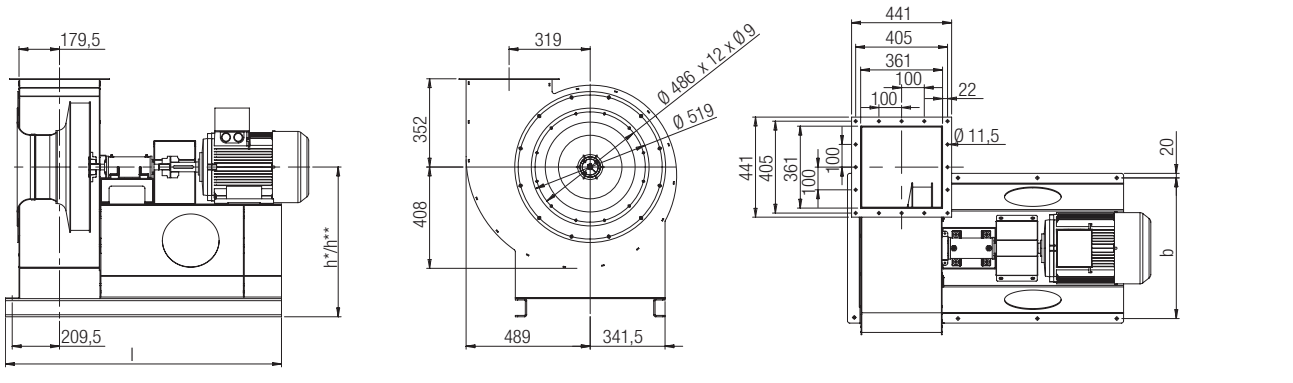
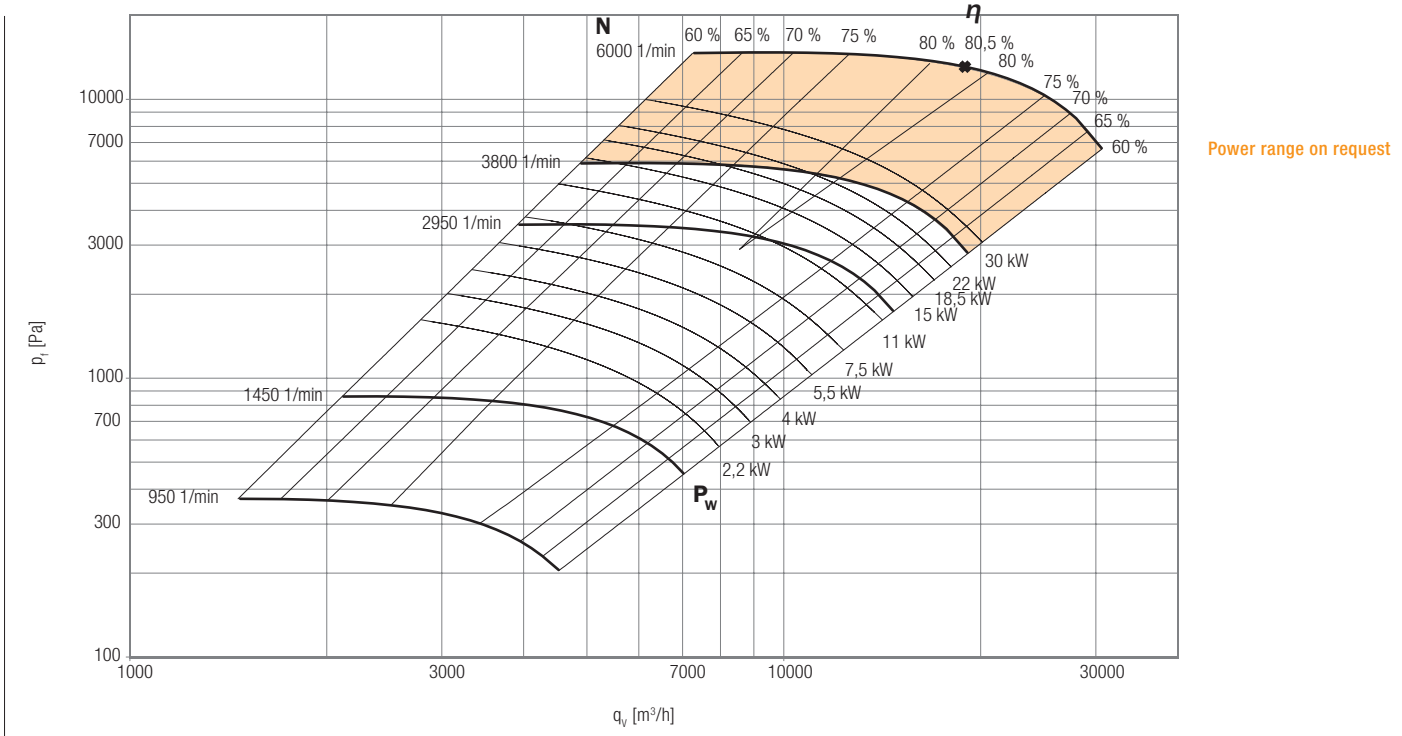
All indicated values for 400V/50Hz/3~.

h\*: Casing position: 0°, 90°

h\*\*: Casing position: 270°

# HREK01-63-0500 Centrifugal fan

Megatec by Pollrich DLK



- Z05** Protective grill suction side  
Ord. no. B151081
- Z10** Flexible sleeve round  
Ord. no. B141031
- Z13** Inspection hatch  
Ord. no. B240512
- Z16** Rubber anti vibration mounts (see below)
- Z18** Flange, round  
Ord. no. B101446
- Z19** Flange, square  
Ord. no. B101209
- Z45** Counter flange  
Ord. no. B101423
- Z63** Transition piece, square to round  
Ord. no. B101556
- Z81** Flexible sleeve square  
Ord. no. B101282
- Z89** Condensate drain  
Ord. no. B240506

Full specifications for accessoires, see page 122

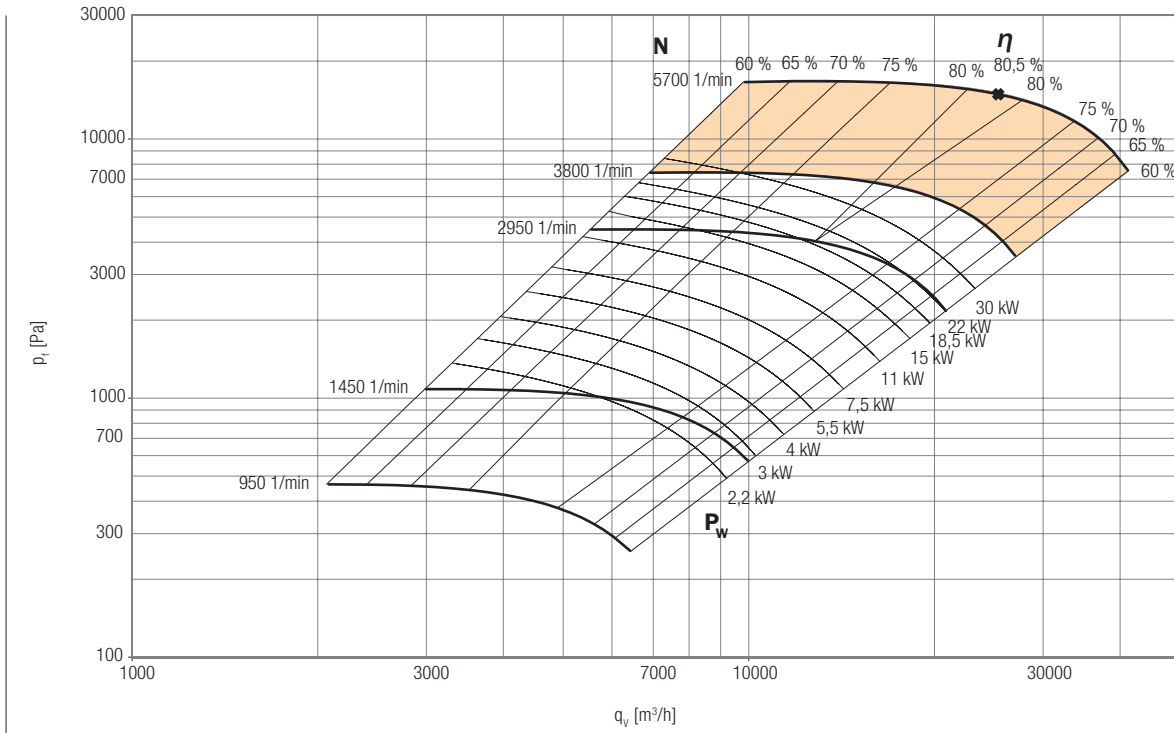
## HREK01-63-0500-B

Order no. Fan	Motor power output [kW]	Speed [1/min]	Voltage [V] Connection	Nominal current [A]	Starting current [A]	Weight ca. [kg]	Order no. Z16	h* / h** [mm]	b [mm]	l [mm]
B110940	11	2930	400/690 Δ/Y	19.9	151.2	238	B128059	610/690	560	1547
B110941	15	2930	400/690 Δ/Y	26.6	204.4	264	B128059	610/690	560	1547
B110942	18.5	2937	400/690 Δ/Y	33.0	244.2	294	B128059	610/690	560	1547
B110943	22	2940	400/690 Δ/Y	38.1	308.1	330	B149928	610/690	560	1547
B110944	30	2950	400/690 Δ/Y	53.4	416.5	387	B149928	610/690	560	1547
B110945	2.2	1440	230/400 Δ/Y	4.6	32.5	172	B149380	610/690	560	1332
B110946	3	1440	230/400 Δ/Y	6.2	43.3	178	B149380	610/690	560	1332
B110947	4	1445	400/690 Δ/Y	8.1	60.9	183	B149380	610/690	560	1332
B110948	5.5	1455	400/690 Δ/Y	10.9	69.8	195	B149380	610/690	560	1352
B110949	7.5	1455	400/690 Δ/Y	14.5	101.5	206	B128059	610/690	560	1352
B110950	11	1460	400/690 Δ/Y	22.1	152.5	280	B128059	610/690	560	1547

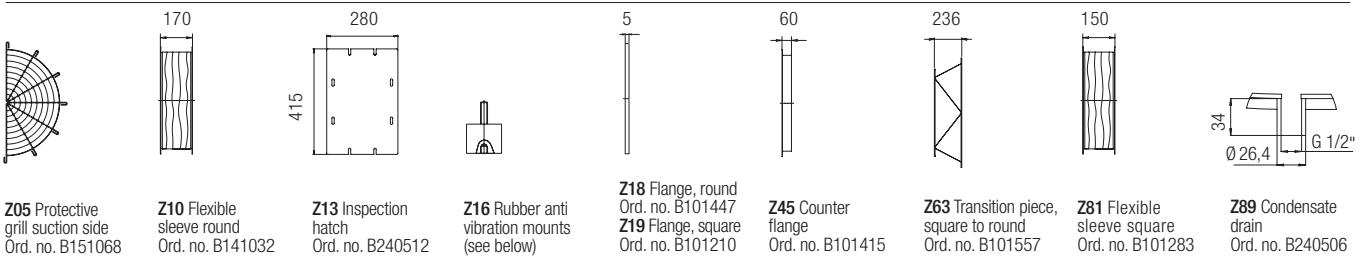
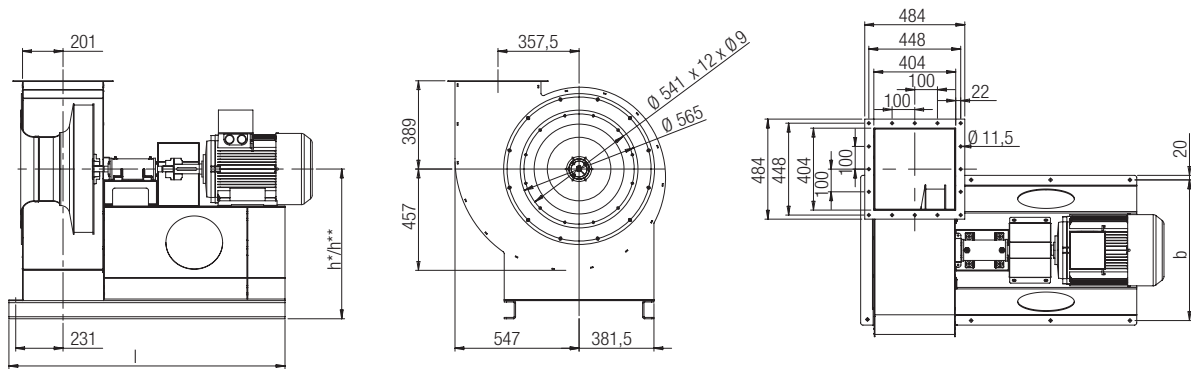
All indicated values for 400V/50Hz/3~. h\*: Casing position: 0°, 90° h\*\*: Casing position: 270°

# HREK01-63-0560 Centrifugal fan

Megatec by Poltrich DLK



Power range on request



Full specifications for accessoires, see page 122

## HREK01-63-0560-B

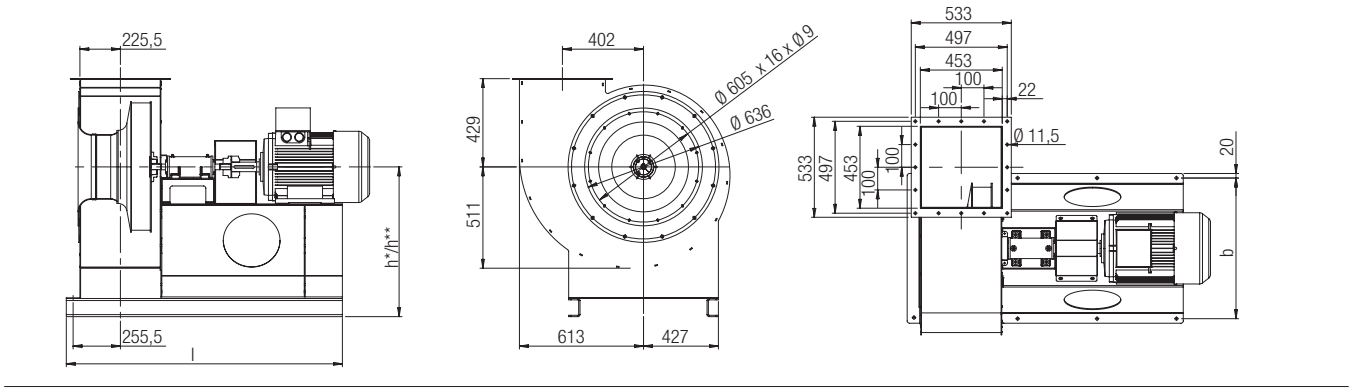
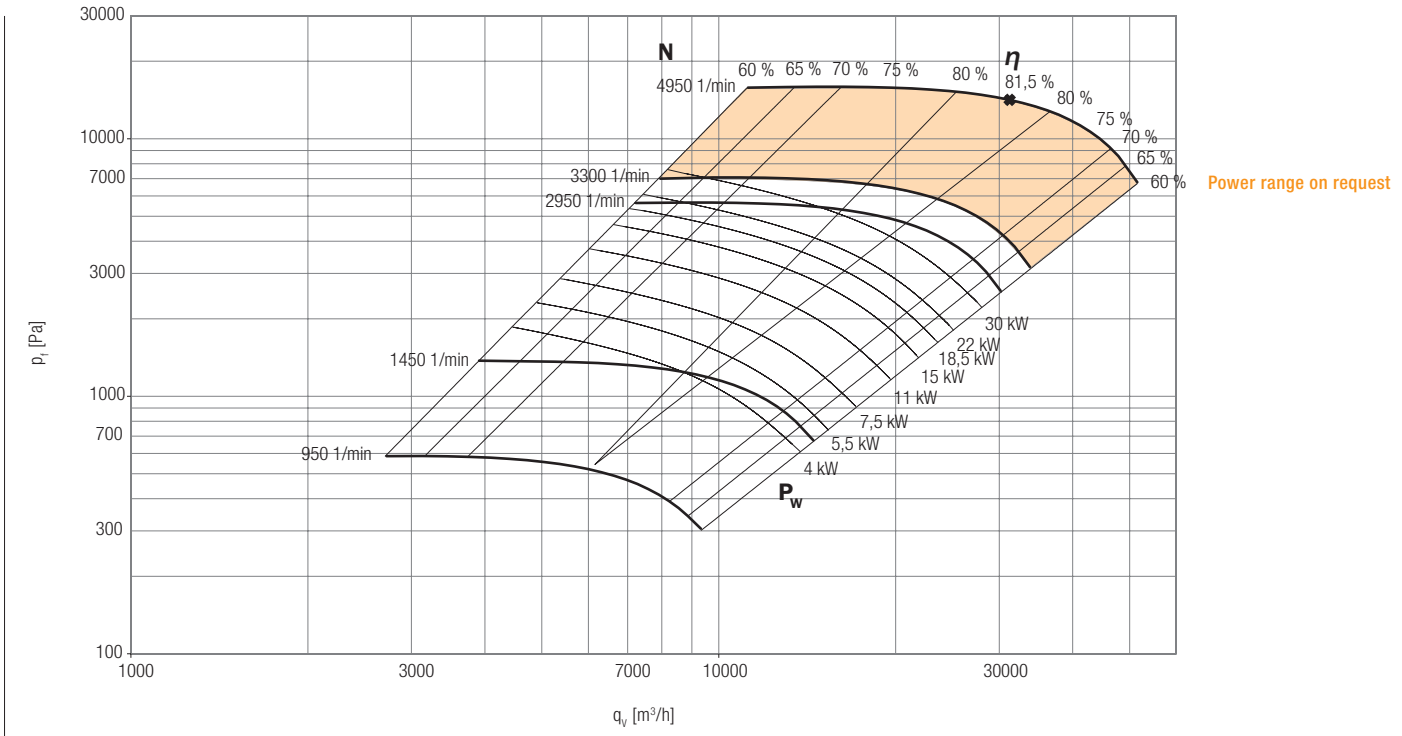
Order no. Fan	Motor power output [kW]	Speed [1/min]	Voltage [V] Connection	Nominal current [A]	Starting current [A]	Weight ca. [kg]	Order no. Z16	$h^*$ / $h^{**}$ [mm]	b [mm]	l [mm]
B110951	18.5	2937	400/690 $\Delta/Y$	33.0	244.2	321	B149928	660/750	590	1655
B110952	22	2940	400/690 $\Delta/Y$	38.1	297.2	357	B149928	660/750	590	1655
B110953	30	2950	400/690 $\Delta/Y$	53.4	416.5	414	B149928	660/750	590	1655
B110954	2.2	1440	230/400 $\Delta/Y$	4.6	32.5	192	B149380	660/750	590	1370
B110955	3	1440	230/400 $\Delta/Y$	6.2	43.3	198	B149380	660/750	590	1370
B110956	4	1445	400/690 $\Delta/Y$	8.1	60.9	203	B149380	660/750	590	1370
B110957	5.5	1455	400/690 $\Delta/Y$	10.9	69.8	215	B128059	660/750	590	1390
B110958	7.5	1455	400/690 $\Delta/Y$	14.5	101.5	226	B128059	660/750	590	1390
B110959	11	1460	400/690 $\Delta/Y$	22.1	152.5	300	B149928	660/750	590	1590
B110960	15	1460	400/690 $\Delta/Y$	29.6	222.0	279	B128059	660/750	590	1600
B110961	18.5	1470	400/690 $\Delta/Y$	32.7	255.3	335	B149928	660/750	590	1600

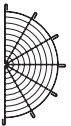
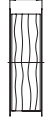
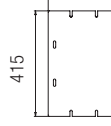





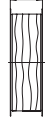

All indicated values for 400V/50Hz/3~.

$h^*$ : Casing position: 0°, 90°  $h^{**}$ : Casing position: 270°

# HREK01-63-0630 Centrifugal fan

Megatec by Pollrich DLK



-   
**Z05** Protective grill suction side  
 Ord. no. B151066
  -   
**Z10** Flexible sleeve round  
 Ord. no. B141033
  -   
**Z13** Inspection hatch  
 Ord. no. B240512
  -   
**Z16** Rubber anti vibration mounts  
 (see below)
  -   
**Z18** Flange, round  
 Ord. no. B101448
  -   
**Z19** Flange, square  
 Ord. no. B101211
  -   
**Z45** Counter flange  
 Ord. no. B101424
  -   
**Z63** Transition piece, square to round  
 Ord. no. B101558
  -   
**Z81** Flexible sleeve square  
 Ord. no. B101284
  -   
**Z89** Condensate drain  
 Ord. no. B240506
- Full specifications for accessoires, see page 122

**HREK01-63-0630-B**

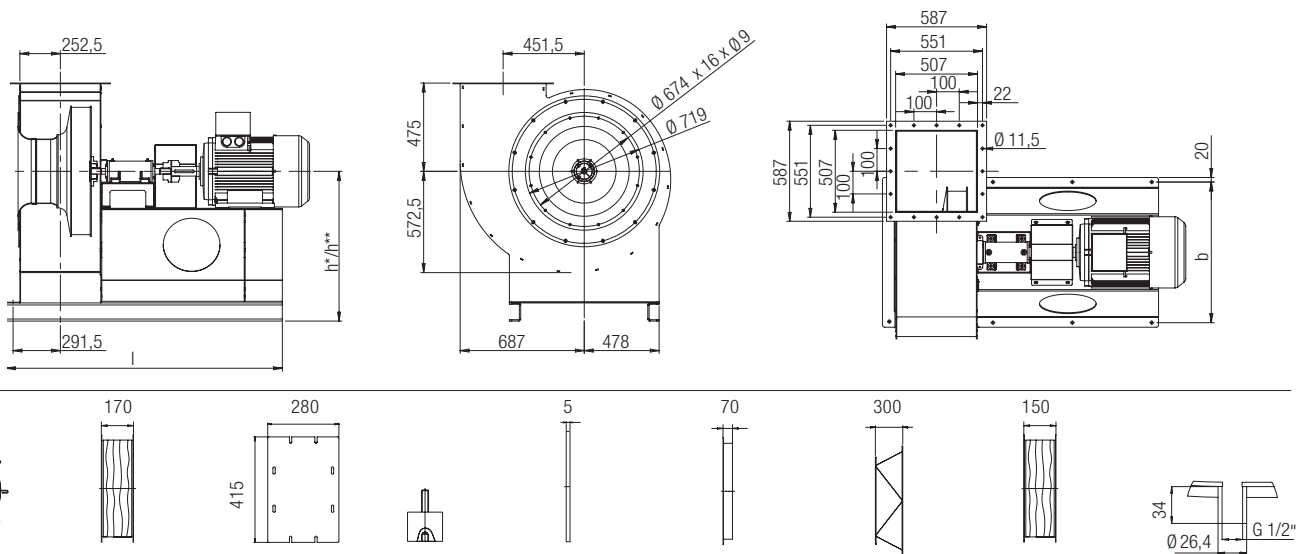
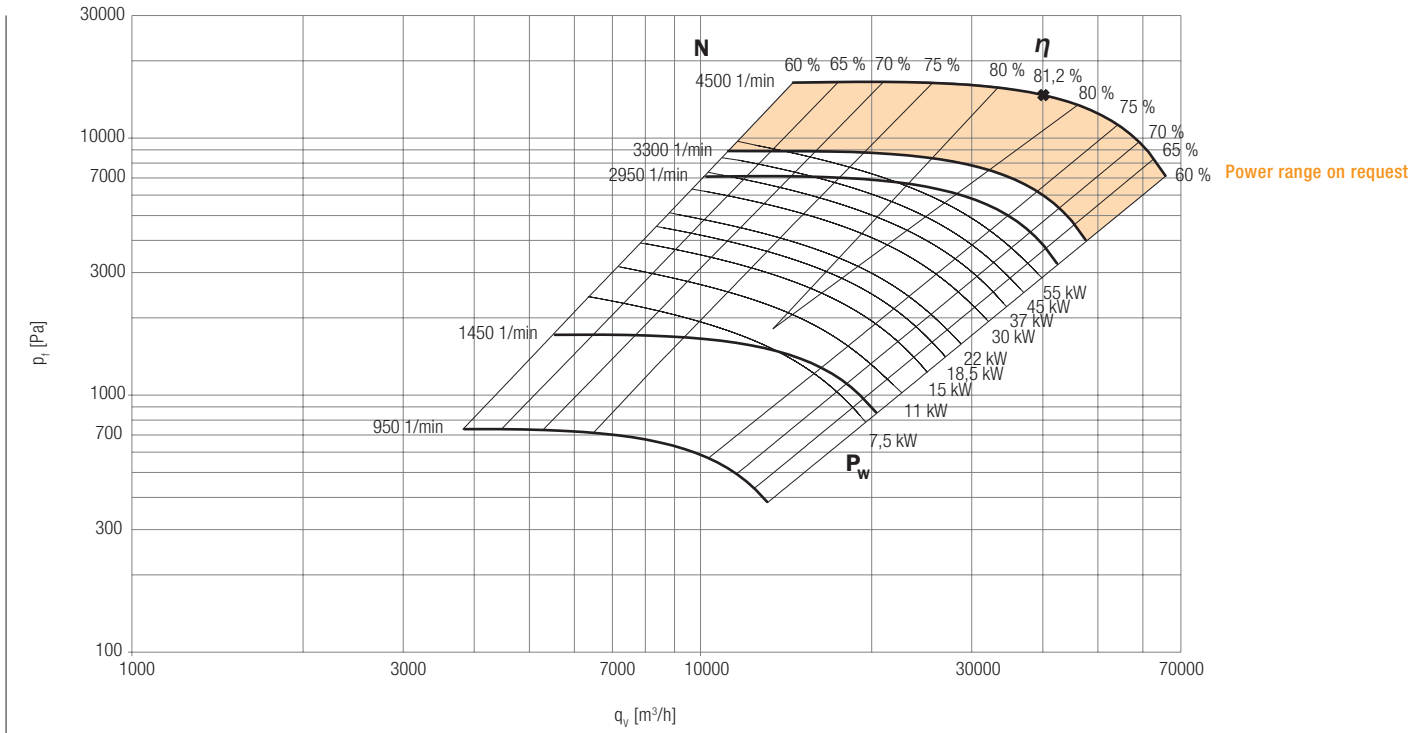
Order no. Fan	Motor power output [kW]	Speed [1/min]	Voltage [V] Connection	Nominal current [A]	Starting current [A]	Weight ca. [kg]	Order no. Z16	h* / h** [mm]	b [mm]	l [mm]
B110962	30	2950	400/690 Δ/Y	53.4	416.5	442	B149928	715/815	690	1682
B110963	4	1445	400/690 Δ/Y	8.1	60.9	233	B128059	715/815	690	1544
B110964	5.5	1455	400/690 Δ/Y	10.9	69.8	245	B128059	715/815	690	1564
B110965	7.5	1455	400/690 Δ/Y	14.5	101.5	256	B128059	715/815	690	1564
B110966	11	1460	400/690 Δ/Y	22.1	152.5	330	B149928	715/815	690	1594
B110967	15	1460	400/690 Δ/Y	29.6	222.0	307	B149928	715/815	690	1594
B110968	18.5	1470	400/690 Δ/Y	32.7	255.3	368	B149928	715/815	690	1649
B110969	22	1470	400/690 Δ/Y	38.4	288.2	385	B149928	715/815	690	1649

All indicated values for 400V/50Hz/3~. h\*: Casing position: 0°, 90° h\*\*: Casing position: 270°



# HREK01-63-0710 Centrifugal fan

Megatec by Poltrich DLK



**Z05** Protective grill suction side  
Ord. no. B151088

**Z10** Flexible sleeve round  
Ord. no. B141035

**Z13** Inspection hatch  
Ord. no. B240512

**Z16** Rubber anti vibration mounts (see below)

**Z18** Flange, round  
Ord. no. B101449  
**Z19** Flange, square  
Ord. no. B101254

**Z45** Counter flange  
Ord. no. B101425

**Z63** Transition piece, square to round  
Ord. no. B101559

**Z81** Flexible sleeve square  
Ord. no. B101326

**Z89** Condensate drain  
Ord. no. B240506

Full specifications for accessoires, see page 122

## HREK01-63-0710-B

Order no. <b>Fan</b>	Motor power output [kW]	Speed [1/min]	Voltage [V] Connection	Nominal current [A]	Starting current [A]	Weight ca. [kg]	Order no. <b>Z16</b>	$h^* / h^{**}$ [mm]	b [mm]	l [mm]
B110970	55	2965	400/690 $\Delta/Y$	93.6	664.6	633	B149937	75/890	790	1913
B110971	7.5	1455	400/690 $\Delta/Y$	14.5	101.5	299	B128059	75/890	790	1668
B110972	11	1460	400/690 $\Delta/Y$	22.1	1525	373	B149928	75/890	790	1698
B110973	15	1460	400/690 $\Delta/Y$	29.6	222.0	350	B149928	75/890	790	1698
B110974	18.5	1470	400/690 $\Delta/Y$	32.7	255.3	406	B149928	75/890	790	1698
B110975	22	1470	400/690 $\Delta/Y$	38.4	288.2	423	B149928	75/890	790	1698
B110976	30	1470	400/690 $\Delta/Y$	54.4	386.2	509	B149937	75/890	790	1843
B110977	37	1480	400/690 $\Delta/Y$	66.2	496.5	561	B149937	75/890	790	1913
B110978	45	1480	400/690 $\Delta/Y$	80.1	608.8	591	B149937	75/890	790	1913

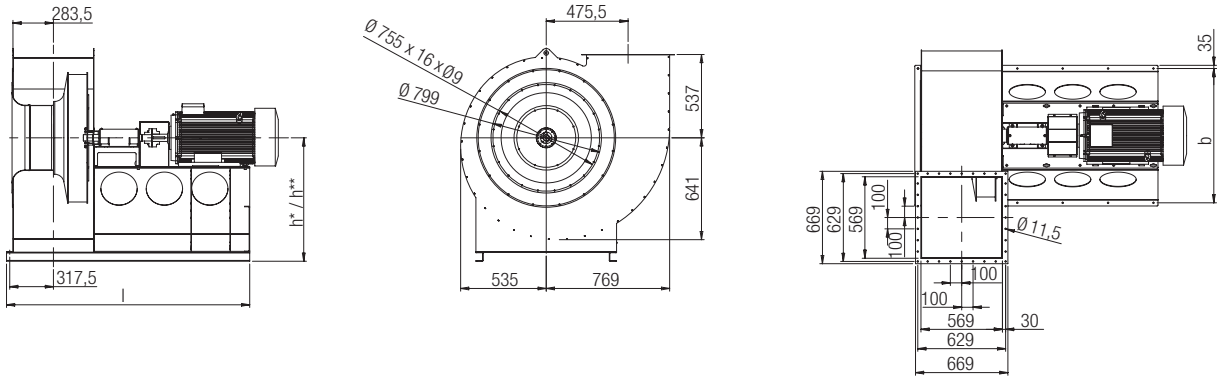
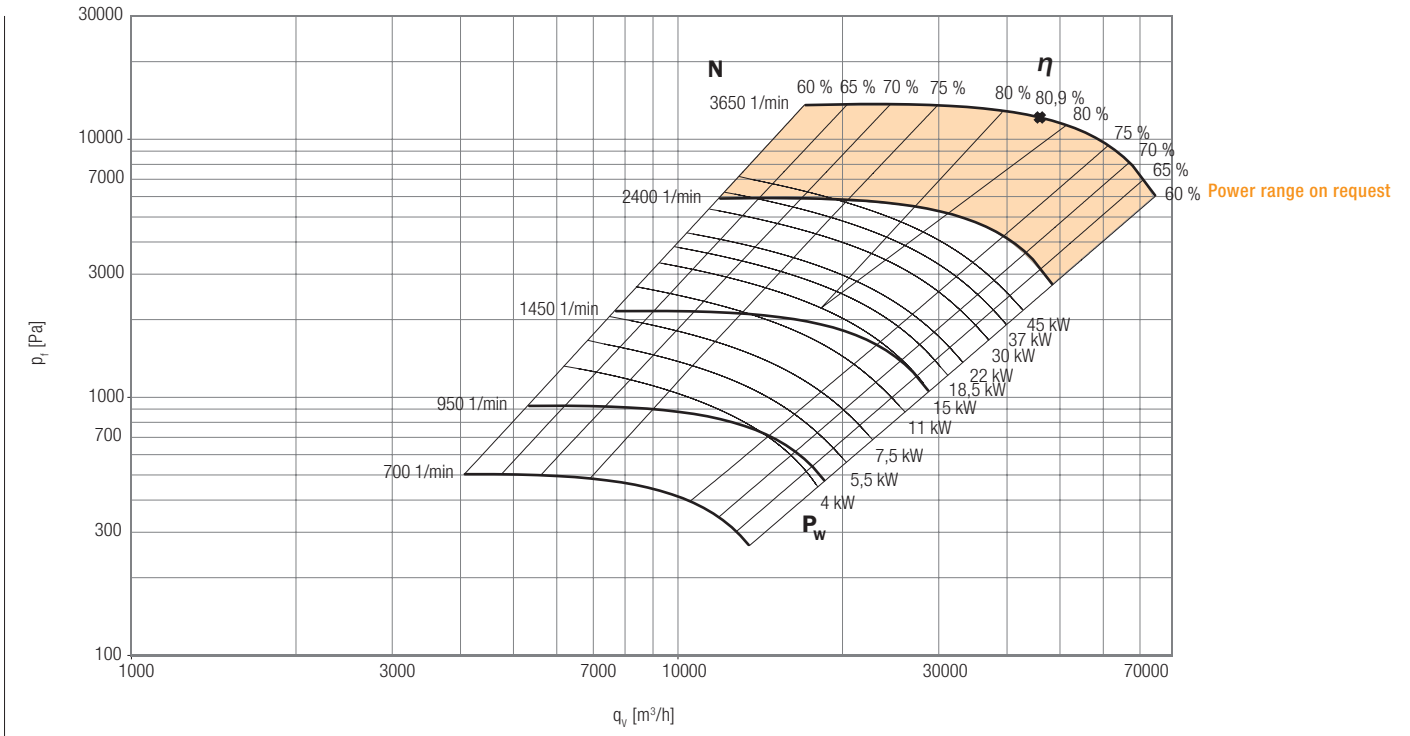
All indicated values for 400V/50Hz/3~.

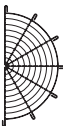

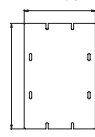







$h^*$ : Casing position: 0°, 90°

$h^{**}$ : Casing position: 270°

# HREK01-63-0800 Centrifugal fan

Megatec by Pollrich DLK



-   
**Z05** Protective grill suction side  
 Ord. no. B151072
-   
**Z10** Flexible sleeve round  
 Ord. no. B141036
-   
**Z13** Inspection hatch  
 Ord. no. B240512
-   
**Z16** Rubber anti vibration mounts (see below)
-   
**Z18** Flange, round  
 Ord. no. B101450
-   
**Z19** Flange, square  
 Ord. no. B101255
-   
**Z45** Counter flange  
 Ord. no. B101426
-   
**Z63** Transition piece, square to round  
 Ord. no. B101560
-   
**Z81** Flexible sleeve square  
 Ord. no. B101327
-   
**Z89** Condensate drain  
 Ord. no. B240506

Full specifications for accessoires, see page 122

## HREK01-63-0800-B

Order no. Fan	Motor power output [kW]	Speed [1/min]	Voltage [V] Connection	Nominal current [A]	Starting current [A]	Weight ca. [kg]	Order no. Z16	h* / h** [mm]	b [mm]	l [mm]
B110979	15	1460	400/690 Δ/Y	29.6	222.0	402	B149928	865/990	880	2216
B110980	18.5	1470	400/690 Δ/Y	32.7	265.2	468	B149928	865/990	880	2332
B110981	22	1470	400/690 Δ/Y	38.4	301.5	485	B149928	865/990	880	2332
B110982	30	1470	400/690 Δ/Y	54.4	386.2	571	B149928	865/990	880	2423
B110983	37	1480	400/690 Δ/Y	66.2	496.5	613	B149937	865/990	880	2493
B110984	45	1480	400/690 Δ/Y	80.1	608.8	643	B149937	865/990	880	2493
B110985	4	965	400/690 Δ/Y	9.0	44.8	340	B128059	865/990	880	2034
B110986	5.5	965	400/690 Δ/Y	12.0	66.0	351	B128059	865/990	880	2034
B110987	7.5	970	400/690 Δ/Y	15.9	103.4	387	B128059	865/990	880	2216
B110988	11	970	400/690 Δ/Y	22.1	171.8	437	B149928	865/990	880	2216
B110989	15	975	400/690 Δ/Y	29.8	190.7	489	B149928	865/990	880	2252

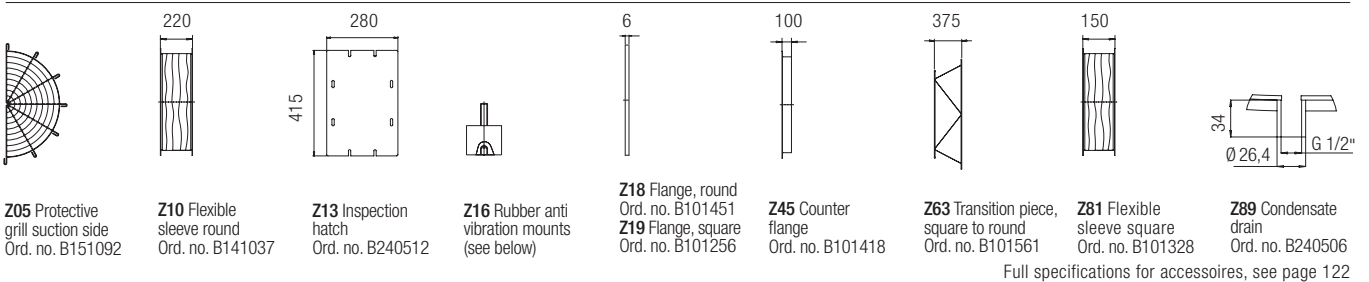
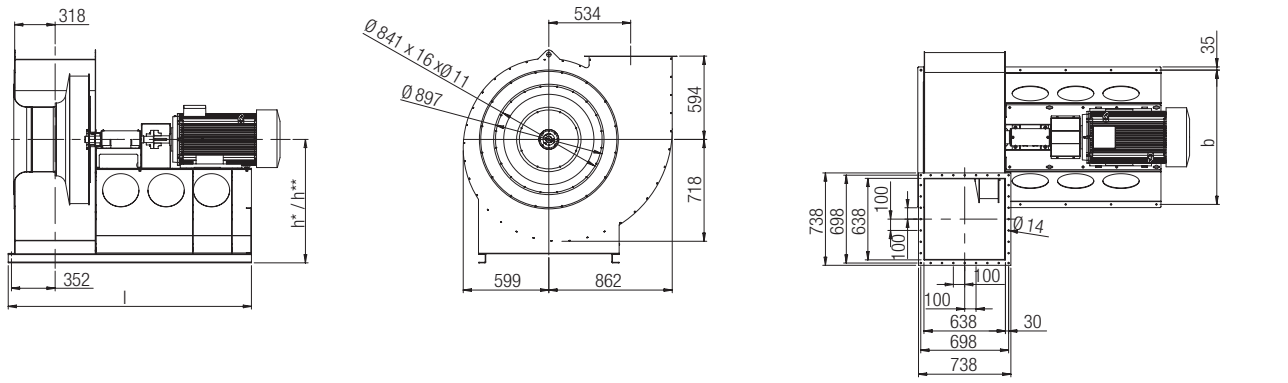
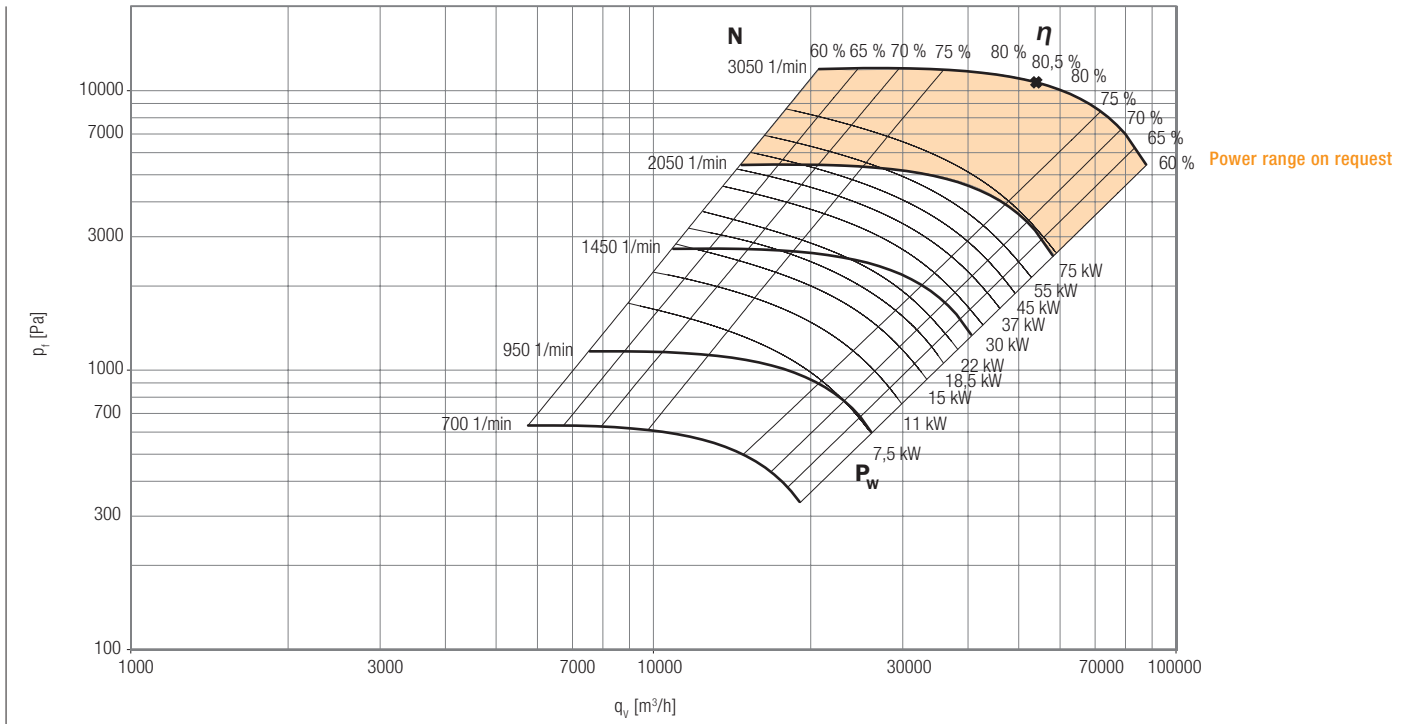
All indicated values for 400V/50Hz/3~.

h\*: Casing position: 0°, 90°

h\*\*: Casing position: 270°

# HREK01-63-0900 Centrifugal fan

Megatec by Poltrich DLK



## HREK01-63-0900-B

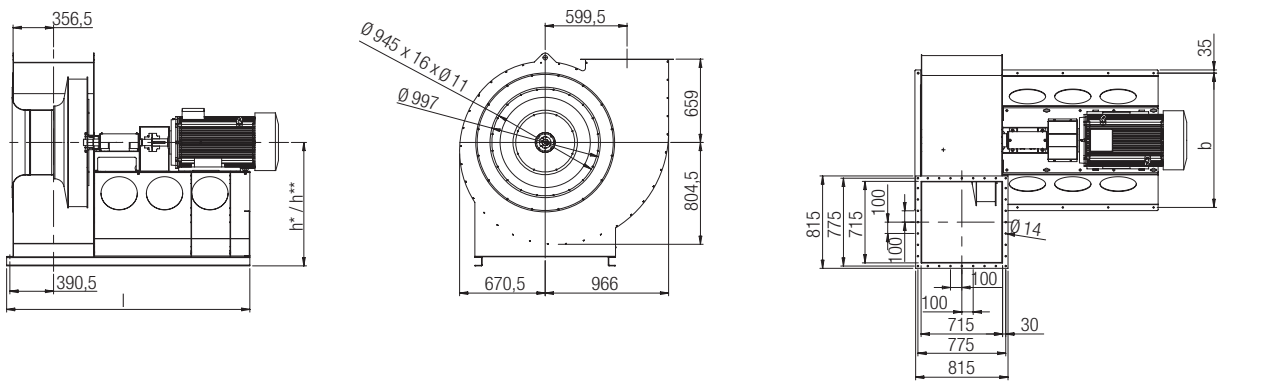
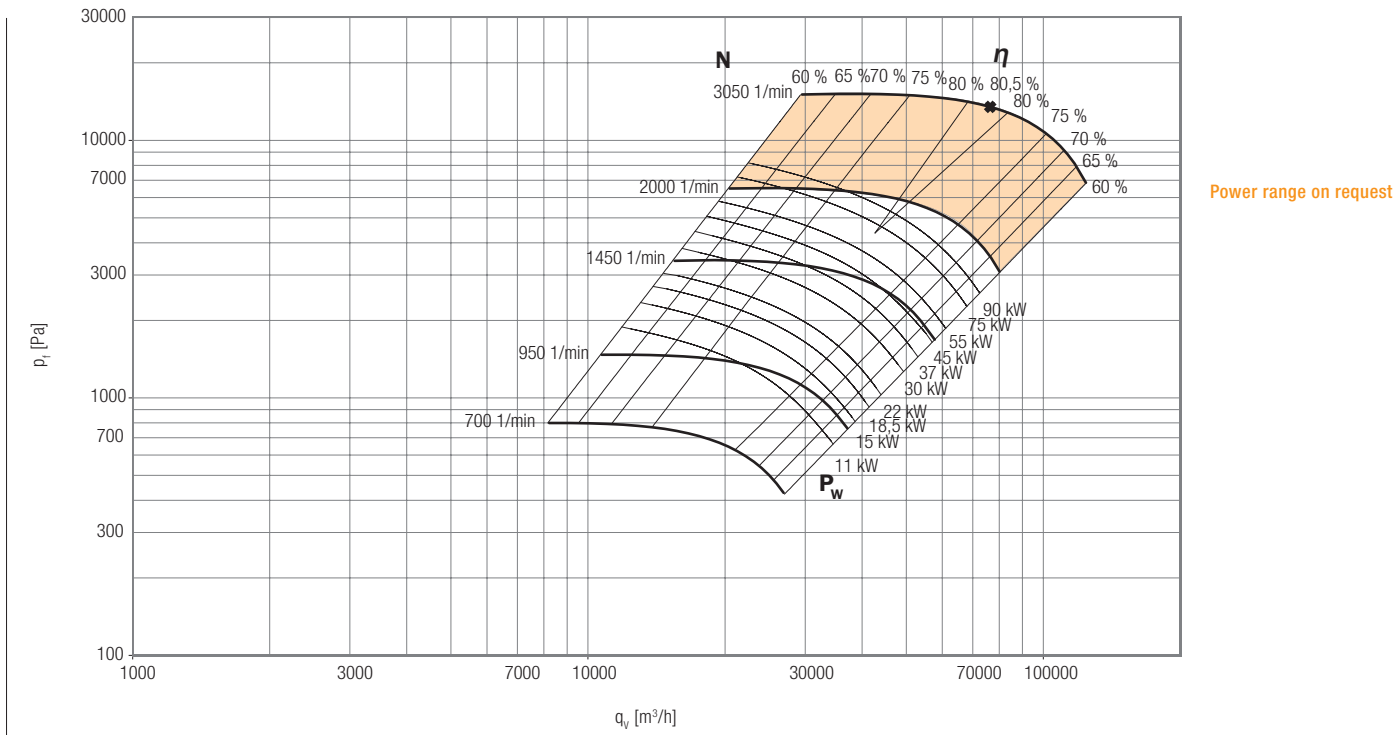
Order no. Fan	Motor power output [kW]	Speed [1/min]	Voltage [V] Connection	Nominal current [A]	Starting current [A]	Weight ca. [kg]	Order no. Z16	$h^*$ / $h^{**}$ [mm]	$b$ [mm]	$l$ [mm]
B110990	22	1470	400/690 $\Delta/Y$	38.4	301.5	566	B149928	940/1085	980	1897
B110991	30	1470	400/690 $\Delta/Y$	54.4	386.2	652	B149937	940/1085	980	1988
B110992	37	1480	400/690 $\Delta/Y$	66.2	496.5	694	B149937	940/1085	980	2055
B110993	45	1480	400/690 $\Delta/Y$	80.1	608.8	724	B149937	940/1085	980	2055
B110994	55	1480	400/690 $\Delta/Y$	96.7	711.8	771	B149937	940/1085	980	2116
B110995	75	1480	400/690 $\Delta/Y$	131.0	1003.2	903	B149937	940/1085	980	2188
B110996	7.5	970	400/690 $\Delta/Y$	15.9	103.4	469	B149928	940/1085	980	1861
B110997	11	970	400/690 $\Delta/Y$	22.1	171.8	519	B149928	940/1085	980	1861
B110998	15	975	400/690 $\Delta/Y$	29.8	190.7	571	B149928	940/1085	980	1897
B110999	18.5	980	400/690 $\Delta/Y$	35.7	254.8	573	B149928	940/1085	980	1988
B111000	22	980	400/690 $\Delta/Y$	41.6	294.0	603	B149937	940/1085	980	1988

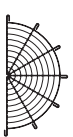
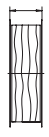
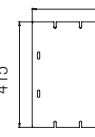







All indicated values for 400V/50Hz/3~.

$h^*$ : Casing position: 0°, 90°  $h^{**}$ : Casing position: 270°

# HREK01-63-1000 Centrifugal fan

**Megatec** by Pollrich DLK



-   
**Z05** Protective grill suction side  
 Ord. no. B190582
  -   
**Z10** Flexible sleeve round  
 Ord. no. B141038
  -   
**Z13** Inspection hatch  
 Ord. no. B240512
  -   
**Z16** Rubber anti vibration mounts  
 (see below)
  -   
**Z18** Flange, round  
 Ord. no. B101452
  -   
**Z19** Flange, square  
 Ord. no. B101257
  -   
**Z45** Counter flange  
 Ord. no. B101419
  -   
**Z63** Transition piece, square to round  
 Ord. no. B101562
  -   
**Z81** Flexible sleeve square  
 Ord. no. B101329
  -   
**Z89** Condensate drain  
 Ord. no. B240506
- Full specifications for accessoires, see page 122

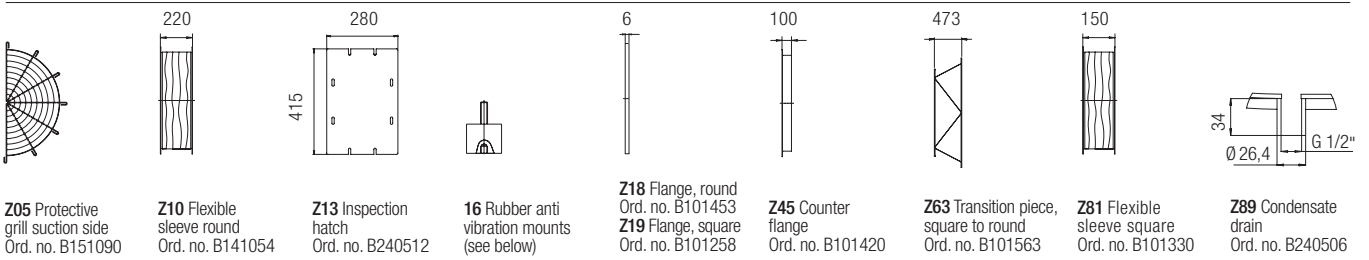
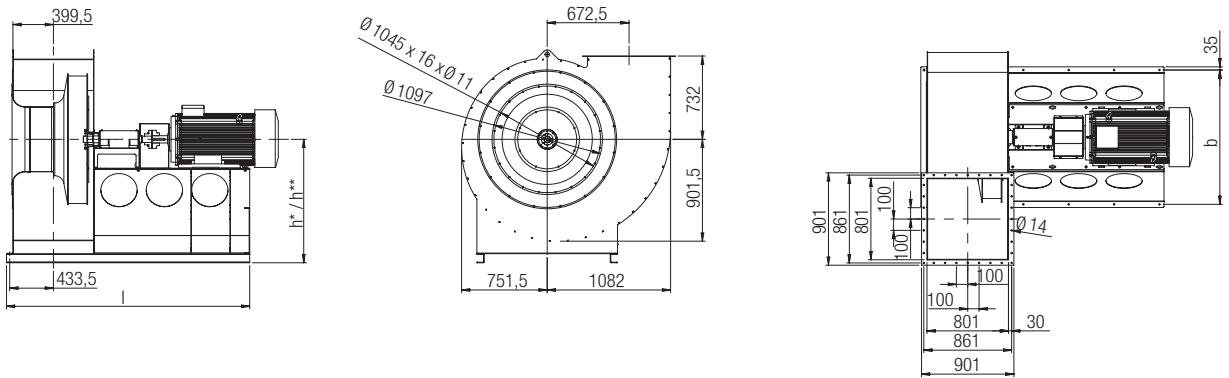
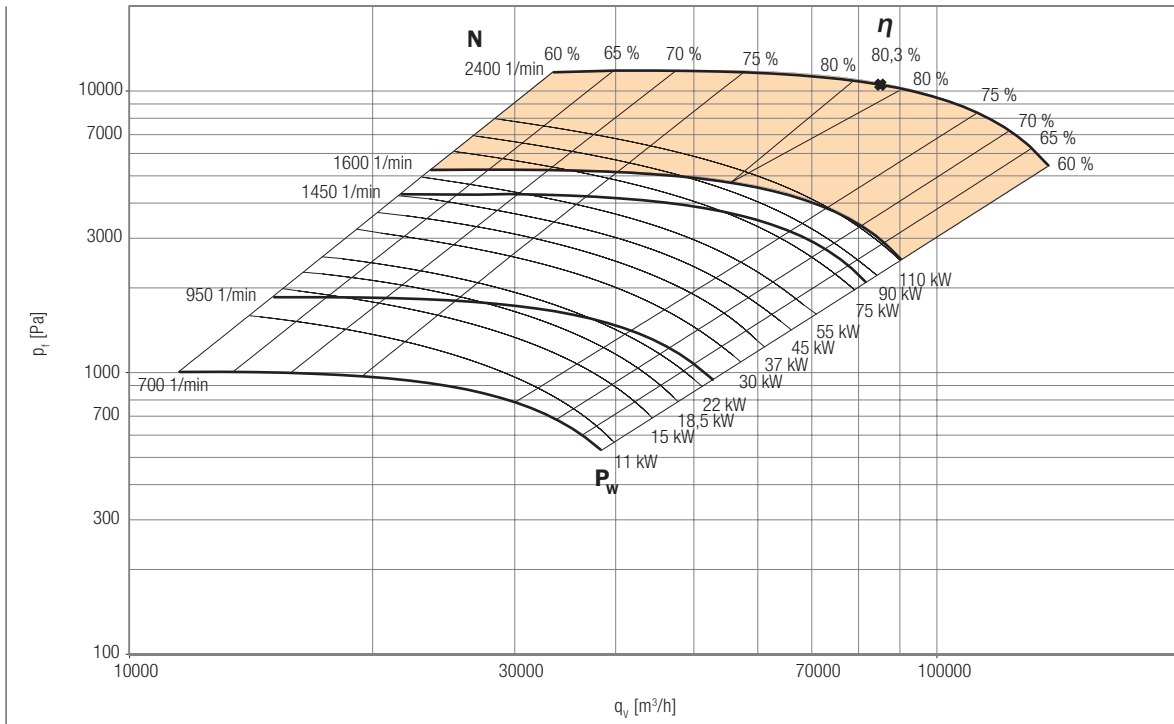
**HREK01-63-1000-B**

Order no. Fan	Motor power output [kW]	Speed [1/min]	Voltage [V] Connection	Nominal current [A]	Starting current [A]	Weight ca. [kg]	Order no. Z16	h* / h** [mm]	b [mm]	l [mm]
B111001	37	1480	400/690 Δ/Y	66.2	496.5	813	B149937	1025/1185	1080	2270
B111002	45	1480	400/690 Δ/Y	80.1	608.8	843	B149937	1025/1185	1080	2270
B111003	55	1480	400/690 Δ/Y	96.7	711.8	890	B149937	1025/1185	1080	2331
B111004	75	1480	400/690 Δ/Y	131.0	1003.2	1022	B149948	1025/1185	1080	2403
B111005	90	1480	400/690 Δ/Y	157.0	1185.0	1118	B149948	1025/1185	1080	2403
B111006	15	975	400/690 Δ/Y	29.8	190.7	673	B149937	1025/1185	1080	2034
B111007	18.5	980	400/690 Δ/Y	35.7	254.8	677	B149937	1025/1185	1080	2090
B111008	22	980	400/690 Δ/Y	41.6	294.0	707	B149937	1025/1185	1080	2090
B111009	30	980	400/690 Δ/Y	56.2	365.3	775	B149937	1025/1185	1080	2160
B111010	37	980	400/690 Δ/Y	66.9	464.4	851	B149937	1025/1185	1080	2221
B111011	11	730	400/690 Δ/Y	23.4	142.8	635	B149937	1025/1185	1080	1974

All indicated values for 400V/50Hz/3~. h\*: Casing position: 0°, 90° h\*\*: Casing position: 270°

# HREK01-63-1120 Centrifugal fan

Megatec by Pollrich DLK



Full specifications for accessoires, see page 122

## HREK01-63-1120-B

Order no. Fan	Motor power output [kW]	Speed [1/min]	Voltage [V] Connection	Nominal current [A]	Starting current [A]	Weight ca. [kg]	Order no. Z16	h* / h** [mm]	b [mm]	l [mm]
B111012	75	1480	400/690 Δ/Y	131.0	1003.2	1166	B149948	1125/1305	1200	2506
B111013	90	1480	400/690 Δ/Y	157.0	1185.0	1262	B149948	1125/1305	1200	2506
B111014	119	1485	400/690 Δ/Y	191.0	1356.1	1605	B149948	1125/1305	1200	2739
B111015	18.5	980	400/690 Δ/Y	35.7	254.8	845	B149937	1125/1305	1200	2303
B111016	22	980	400/690 Δ/Y	41.6	294.0	875	B149937	1125/1305	1200	2303
B111017	30	980	400/690 Δ/Y	56.2	365.3	943	B149937	1125/1305	1200	2373
B111018	37	980	400/690 Δ/Y	66.9	464.4	1019	B149948	1125/1305	1200	2434
B111019	45	980	400/690 Δ/Y	80.4	570.5	1141	B149948	1125/1305	1200	2506
B111020	55	980	400/690 Δ/Y	96.6	704.3	1196	B149948	1125/1305	1200	2506
B111021	75	985	400/690 Δ/Y	132.1	978.2	1570	B149948	1125/1305	1200	2739
B111022	11	730	400/690 Δ/Y	23.4	142.8	781	B149937	1125/1305	1200	2102
B111023	15	730	400/690 Δ/Y	32.1	213.8	849	B149937	1125/1305	1200	2193

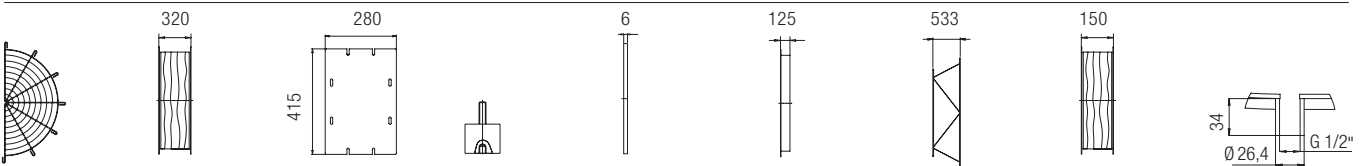
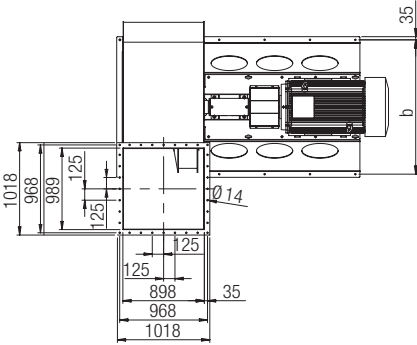
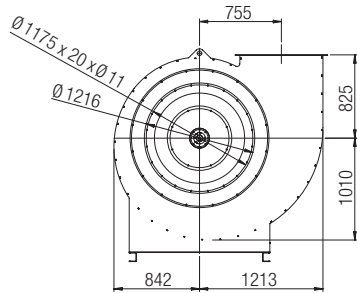
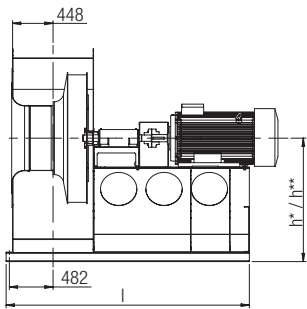
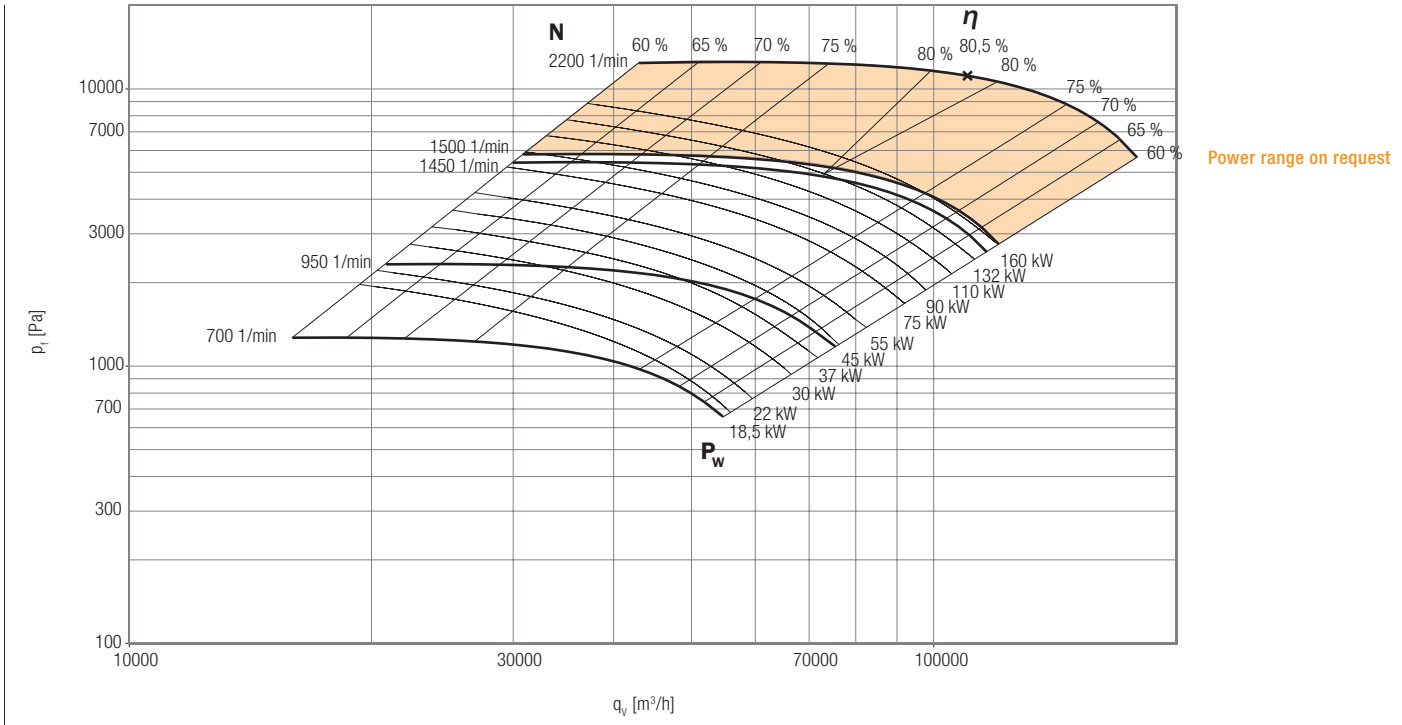
All indicated values for 400V/50Hz/3~.

h\*: Casing position: 0°, 90°

h\*\*: Casing position: 270°

# HREK01-63-1250 Centrifugal fan

Megatec by Pollrich DLK



- Z05** Protective grill suction side  
Ord. no. B151089
- Z10** Flexible sleeve round  
Ord. no. B141040
- Z13** Inspection hatch  
Ord. no. B240512
- Z16** Rubber anti vibration mounts  
(see below)
- Z18** Flange, round  
Ord. no. B101454
- Z19** Flange, square  
Ord. no. B101259
- Z45** Counter flange  
Ord. no. B101421
- Z63** Transition piece, square to round  
Ord. no. B101564
- Z81** Flexible sleeve square  
Ord. no. B101331
- Z89** Condensate drain  
Ord. no. B240506

Full specifications for accessoires, see page 122

## HREK01-63-1250-B

Order no. Fan	Motor power output [kW]	Speed [1/min]	Voltage [V] Connection	Nominal current [A]	Starting current [A]	Weight ca. [kg]	Order no. Z16	h* / h** [mm]	b [mm]	l [mm]
B111024	110	1485	400/690 Δ/Y	191.0	1356.1	1836	B149948	1235/1435	1330	2837
B111025	132	1485	400/690 Δ/Y	228.0	1664.4	1923	B250291	1235/1435	1330	2837
B111026	160	1485	400/690 Δ/Y	273.0	2020.2	1993	B250291	1235/1435	1330	2837
B111027	30	980	400/690 Δ/Y	56.2	365.3	1174	B149948	1235/1435	1330	2471
B111028	37	980	400/690 Δ/Y	66.9	464.4	1250	B149948	1235/1435	1330	2532
B111029	45	980	400/690 Δ/Y	80.4	570.5	1372	B149948	1235/1435	1330	2604
B111030	55	980	400/690 Δ/Y	96.6	704.3	1427	B149948	1235/1435	1330	2604
B111031	75	985	400/690 Δ/Y	132.1	978.2	1801	B149948	1235/1435	1330	2837
B111032	90	985	400/690 Δ/Y	159.0	1136.0	1879	B250291	1235/1435	1330	2837
B111033	110	985	400/690 Δ/Y	194.0	1450.4	1951	B250291	1235/1435	1330	2837
B111034	18.5	730	400/690 Δ/Y	39.0	257.4	1120	B149948	1235/1435	1330	2471
B111035	22	730	400/690 Δ/Y	44.2	297.0	1143	B149948	1235/1435	1330	2471

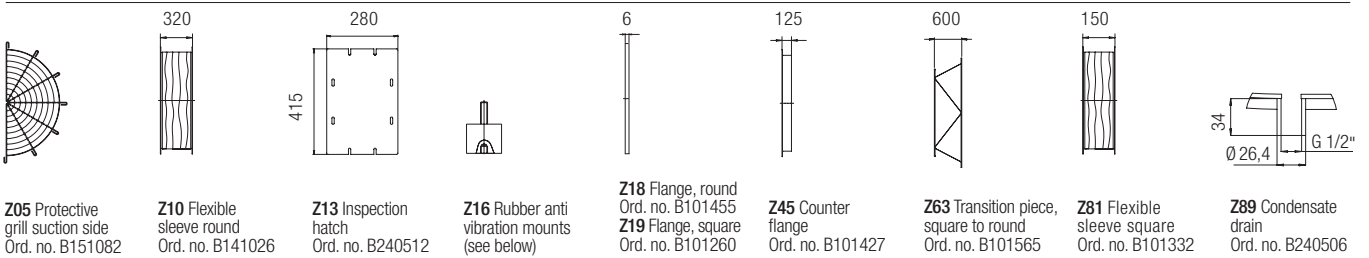
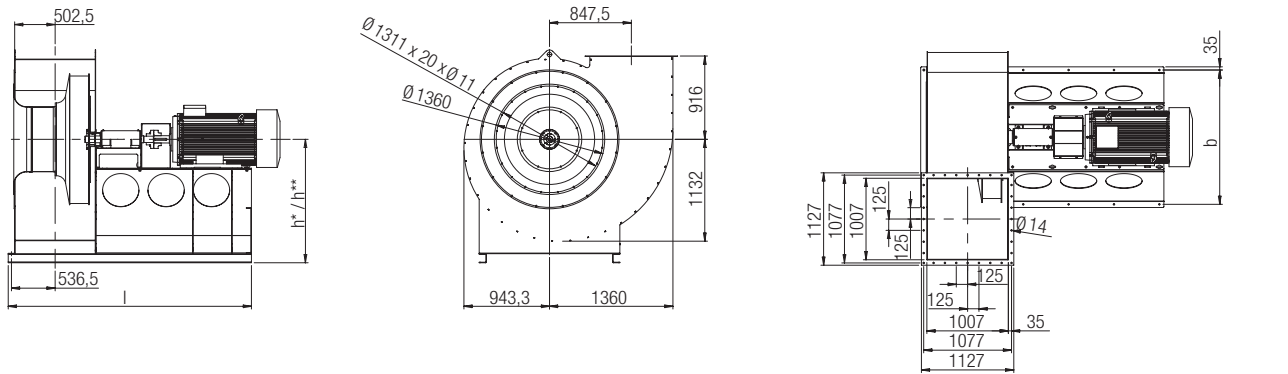
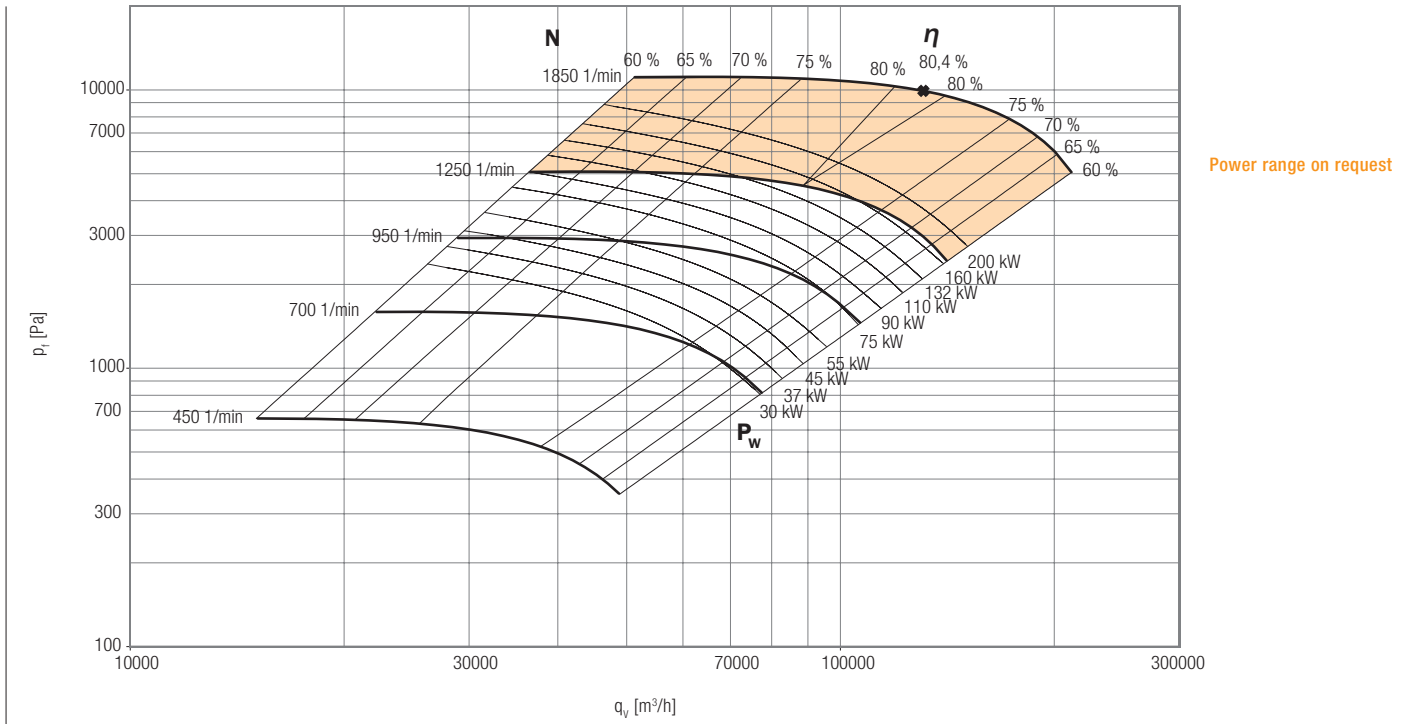
All indicated values for 400V/50Hz/3~.

h\*: Casing position: 0°, 90°

h\*\*: Casing position: 270°

# HREK01-63-1400 Centrifugal fan

Megatec by Pollrich DLK



Full specifications for accessoires, see page 122

## HREK01-63-1400-B

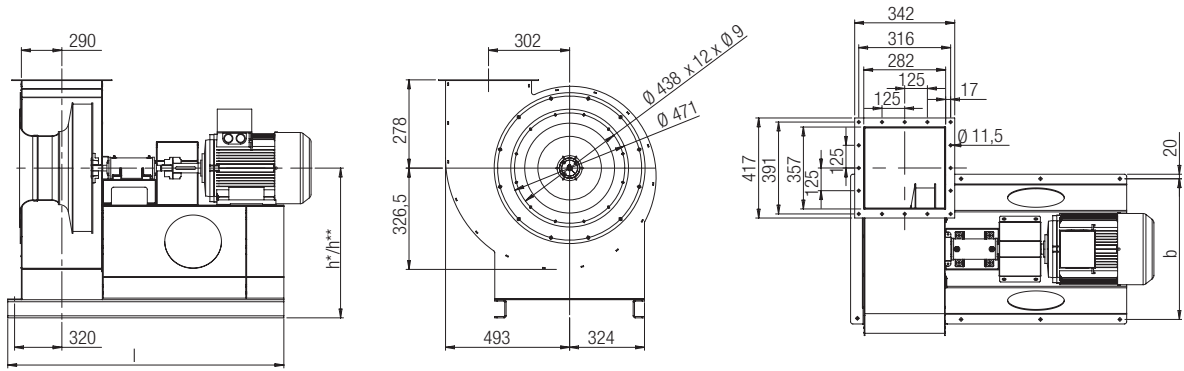
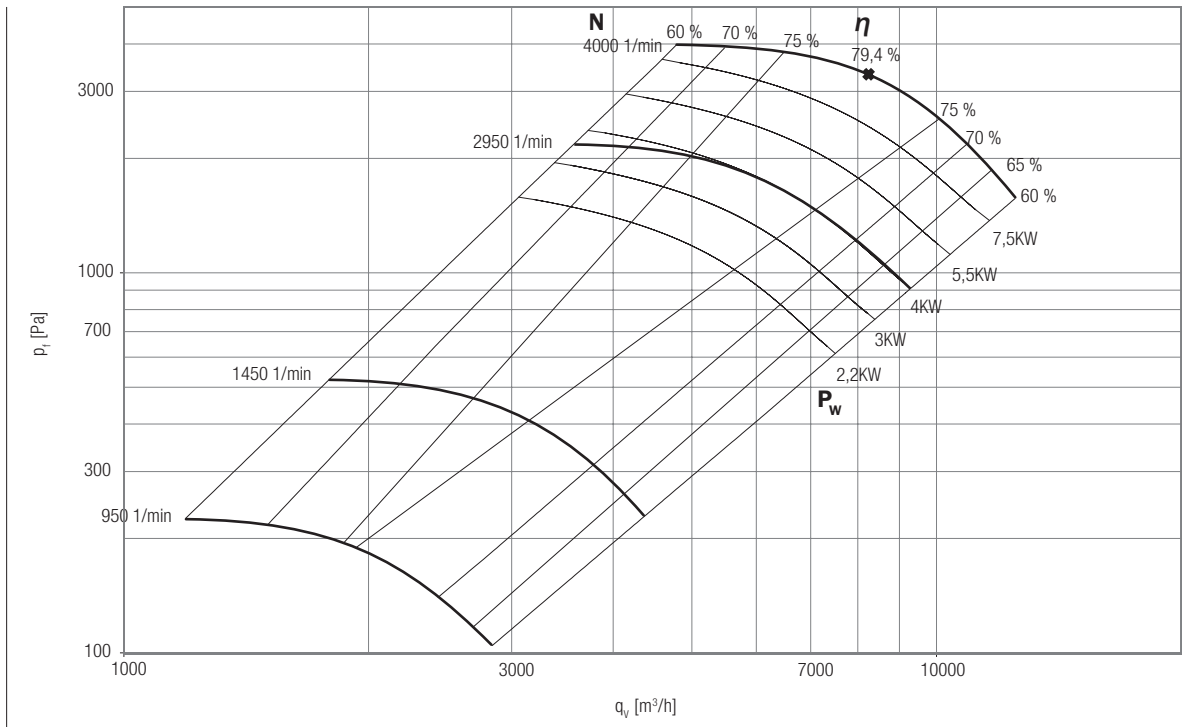
Order no. Fan	Motor power output [kW]	Speed [1/min]	Voltage [V] Connection	Nominal current [A]	Starting current [A]	Weight ca. [kg]	Order no. Z16	h* / h** [mm]	b [mm]	l [mm]
B111036	200	1485	400/690 Δ/Y	341.0	2591.6	2452	B250291	1335/1580	1480	2950
B111037	75	985	400/690 Δ/Y	132.1	978.2	2142	B250291	1335/1580	1480	2950
B111038	90	985	400/690 Δ/Y	159.0	1136.0	2220	B250291	1335/1580	1480	2950
B111039	110	985	400/690 Δ/Y	194.0	1450.4	2292	B250291	1335/1580	1480	2950
B111040	132	985	400/690 Δ/Y	229.0	1755.6	2412	B250291	1335/1580	1480	2950
B111041	160	990	400/690 Δ/Y	274.0	2105.2	2781	B250291	1335/1580	1480	3072
B111042	200	990	400/690 Δ/Y	345.0	2691.0	2831	B250291	1335/1580	1480	3072
B111043	30	735	400/690 Δ/Y	60.2	401.3	1579	B149948	1335/1580	1480	2645
B111044	37	735	400/690 Δ/Y	72.6	488.4	1695	B149948	1335/1580	1480	2717
B111045	45	735	400/690 Δ/Y	88.0	589.4	1761	B149948	1335/1580	1480	2717
B111046	55	735	400/690 Δ/Y	104.0	693.0	2127	B250291	1335/1580	1480	2950
B111047	75	735	400/690 Δ/Y	141.0	943.8	2227	B250291	1335/1580	1480	2950
B111048	90	735	400/690 Δ/Y	167.0	1115.4	2282	B250291	1335/1580	1480	2950

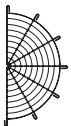

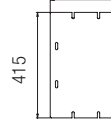
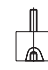





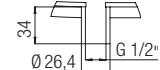
All indicated values for 400V/50Hz/3~.

h\*: Casing position: 0°, 90° h\*\*: Casing position: 270°

# HREK01-71-0400 Centrifugal fan

Megatec by Pollrich DLK



-   
**Z05** Protective grill suction side  
 Ord. no. B151061
-   
**Z10** Flexible sleeve round  
 Ord. no. B141030
-   
**Z13** Inspection hatch  
 Ord. no. B240509
-   
**Z16** Rubber anti vibration mounts (see below)
-   
**Z18** Flange, round  
 Ord. no. B101445
-   
**Z19** Flange, square  
 Ord. no. B101261
-   
**Z45** Counter flange  
 Ord. no. B101428
-   
**Z63** Transition piece, square to round  
 Ord. no. B101566
-   
**Z81** Flexible sleeve square  
 Ord. no. B101333
-   
**Z89** Condensate drain  
 Ord. no. B240506

Full specifications for accessoires, see page 122

## HREK01-71-0400-B

Order no. Fan	Motor power output [kW]	Speed [1/min]	Voltage [V] Connection	Nominal current [A]	Starting current [A]	Weight ca. [kg]	Order no. Z16	h* / h** [mm]	b [mm]	l [mm]
B111049	3	2891	230/400 Δ/Y	5.9	46.9	142	B149380	600/695	480	1268
B111050	4	2914	400/690 Δ/Y	7.6	57.3	145	B149380	600/695	480	1268
B111051	5.5	2937	400/690 Δ/Y	10.6	79.5	162	B149380	600/695	480	1288
B111052	7.5	2940	400/690 Δ/Y	13.9	104.3	167	B149380	600/695	480	1288
B111053	11	2930	400/690 Δ/Y	19.9	150.9	210	B128059	600/695	480	1318
B111054	2.2	1440	230/400 Δ/Y	4.6	32.5	144	B149380	600/695	480	1268
B111055	3	1440	230/400 Δ/Y	6.2	43.3	150	B149380	600/695	480	1268

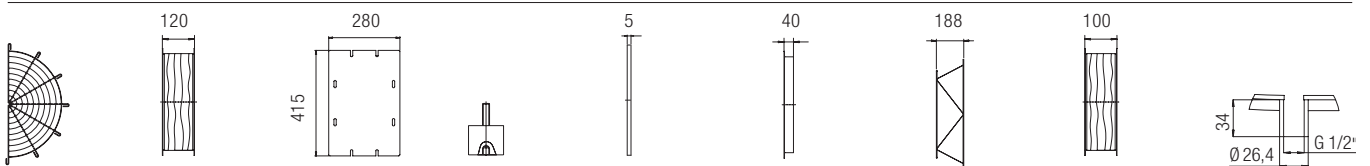
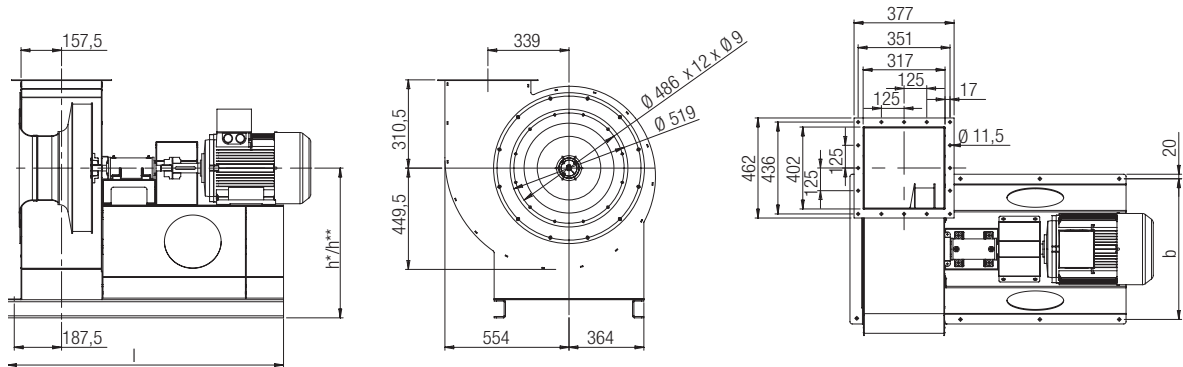
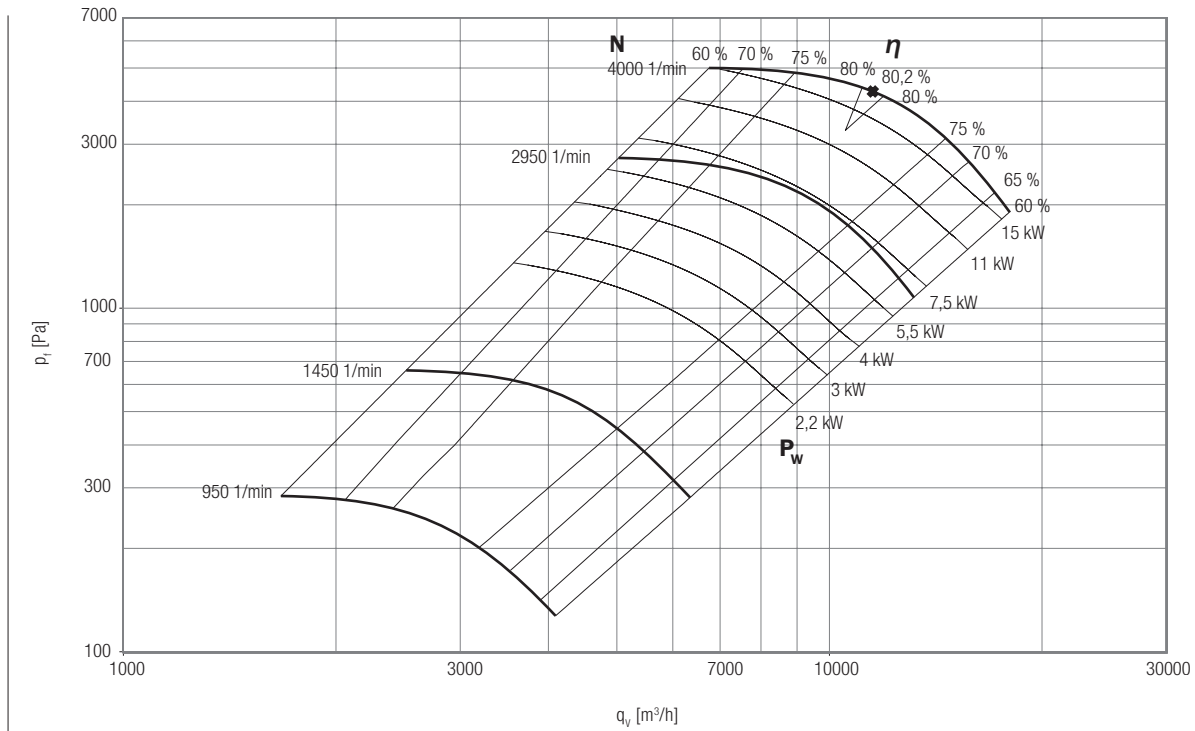
All indicated values for 400V/50Hz/3~.

h\*: Casing position: 0°, 90° h\*\*: Casing position: 270°



# HREK01-71-0450 Centrifugal fan

Megatec by Pollrich DLK



**Z05** Protective grill suction side  
Ord. no. B151081

**Z10** Flexible sleeve round  
Ord. no. B141031

**Z13** Inspection hatch  
Ord. no. B240512

**Z16** Rubber anti vibration mounts (see below)

**Z18** Flange, round  
Ord. no. B101446  
**Z19** Flange, square  
Ord. no. B101262

**Z45** Counter flange  
Ord. no. B101429

**Z63** Transition piece, square to round  
Ord. no. B101567

**Z81** Flexible sleeve square  
Ord. no. B101334

**Z89** Condensate drain  
Ord. no. B240506

Full specifications for accessoires, see page 122

## HREK01-71-0450-B

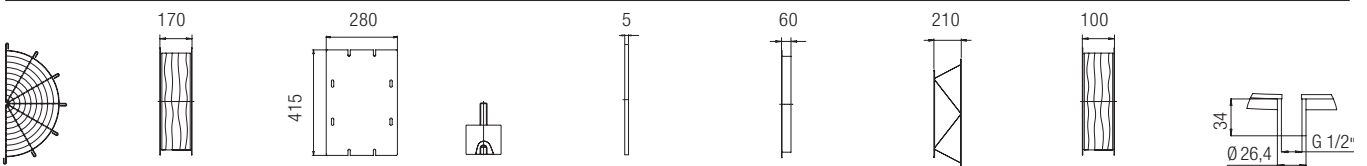
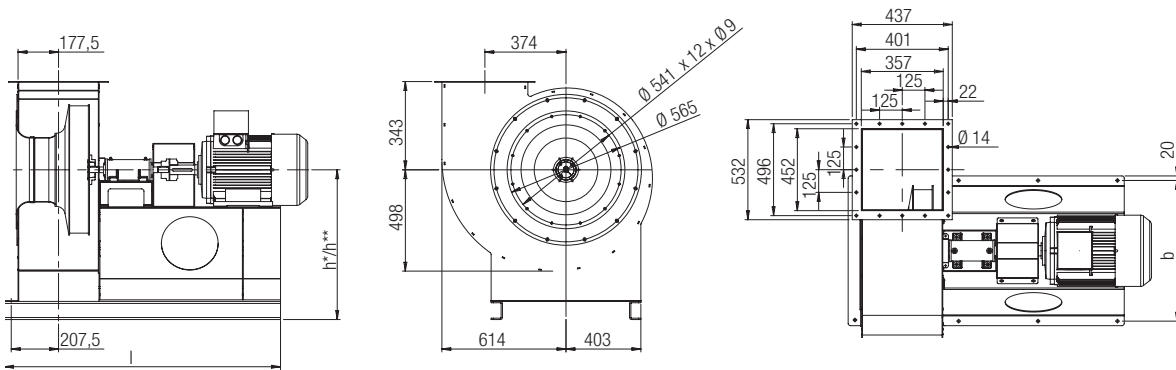
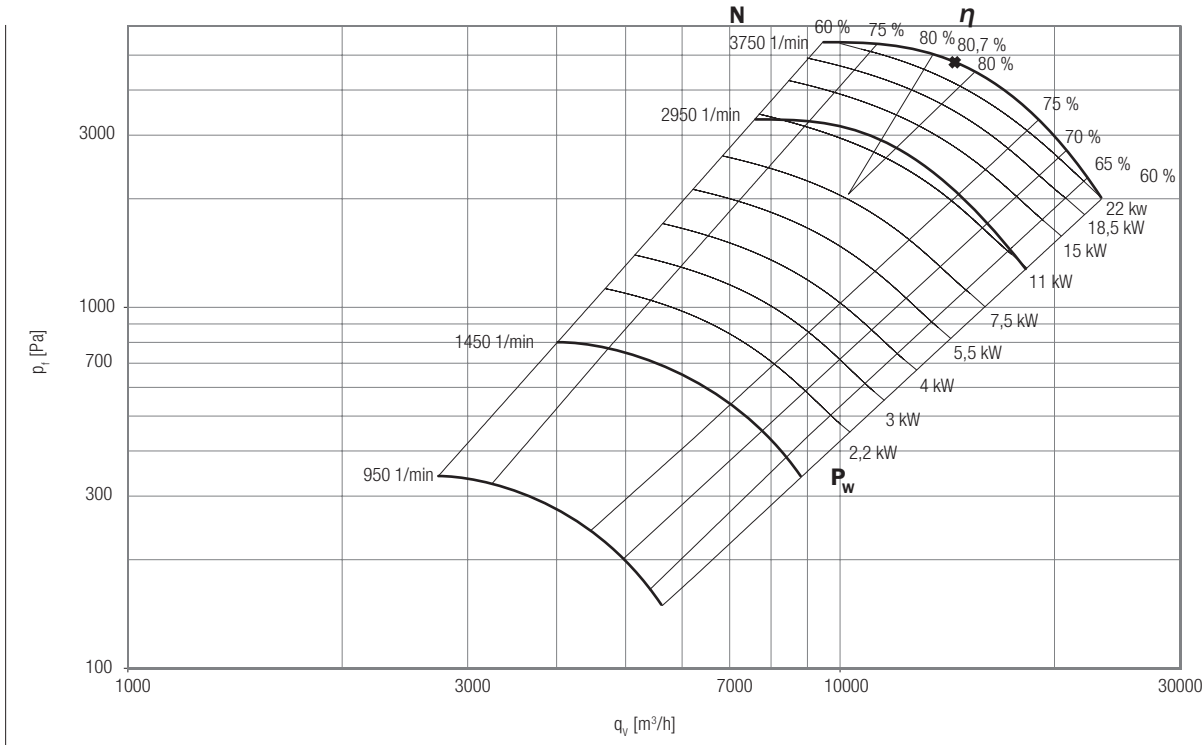
Order no. Fan	Motor power output [kW]	Speed [1/min]	Voltage [V] Connection	Nominal current [A]	Starting current [A]	Weight ca. [kg]	Order no. Z16	$h^* / h^{**}$ [mm]	b [mm]	l [mm]
B111056	7.5	2940	400/690 $\Delta/Y$	13.9	104.3	180	B149380	650/755	510	1303
B111057	11	2930	400/690 $\Delta/Y$	19.9	150.9	223	B128059	650/755	510	1460
B111058	15	2930	400/690 $\Delta/Y$	26.6	202.2	249	B128059	650/755	510	1460
B111059	18.5	2937	400/690 $\Delta/Y$	33.0	244.2	279	B128059	650/755	510	1460
B111060	22	2940	400/690 $\Delta/Y$	38.1	297.2	315	B149928	650/755	510	1460
B111061	2.2	1440	230/400 $\Delta/Y$	4.6	32.5	157	B149380	650/755	510	1283
B111062	3	1440	230/400 $\Delta/Y$	6.2	43.3	163	B149380	650/755	510	1283
B111063	4	1445	400/690 $\Delta/Y$	8.1	60.9	168	B149380	650/755	510	1283
B111064	5.5	1455	400/690 $\Delta/Y$	10.9	69.8	180	B149380	650/755	510	1303

All indicated values for 400V/50Hz/3~.

$h^*$ : Casing position: 0°, 90°  $h^{**}$ : Casing position: 270°

# HREK01-71-0500 Centrifugal fan

Megatec by Pollrich DLK



- Z05** Protective grill suction side  
Ord. no. B151068
- Z10** Flexible sleeve round  
Ord. no. B141032
- Z13** Inspection hatch  
Ord. no. B240512
- Z16** Rubber anti-vibration mounts (see below)
- Z18** Flange, round  
Ord. no. B101447
- Z19** Flange, square  
Ord. no. B101263
- Z45** Counter flange  
Ord. no. B101430
- Z63** Transition piece, square to round  
Ord. no. B101568
- Z81** Flexible sleeve square  
Ord. no. B101335
- Z89** Condensate drain  
Ord. no. B240506

Full specifications for accessories, see page 122

## HREK01-71-0500-B

Order no. Fan	Motor power output [kW]	Speed [1/min]	Voltage [V] Connection	Nominal current [A]	Starting current [A]	Weight ca. [kg]	Order no. Z16	$h^* / h^{**}$ [mm]	b [mm]	l [mm]
B111065	11	2930	400/690 $\Delta/Y$	19.9	150.9	238	B128059	700/815	560	1543
B111066	15	2930	400/690 $\Delta/Y$	26.6	202.2	264	B128059	700/815	560	1543
B111067	18.5	2937	400/690 $\Delta/Y$	33.0	244.2	294	B128059	700/815	560	1543
B111068	22	2940	400/690 $\Delta/Y$	38.1	297.2	330	B149928	700/815	560	1543
B111069	30	2950	400/690 $\Delta/Y$	53.4	416.5	387	B149928	700/815	560	1543
B111070	2.2	1440	230/400 $\Delta/Y$	4.6	32.5	172	B149380	700/815	560	1328
B111071	3	1440	230/400 $\Delta/Y$	6.2	43.3	178	B149380	700/815	560	1328
B111072	4	1445	400/690 $\Delta/Y$	8.1	60.9	183	B149380	700/815	560	1328
B111073	5.5	1455	400/690 $\Delta/Y$	10.9	69.8	195	B149380	700/815	560	1348
B111074	7.5	1455	400/690 $\Delta/Y$	14.5	101.5	206	B128059	700/815	560	1348
B111075	11	1460	400/690 $\Delta/Y$	22.1	152.5	280	B128059	700/815	560	1543

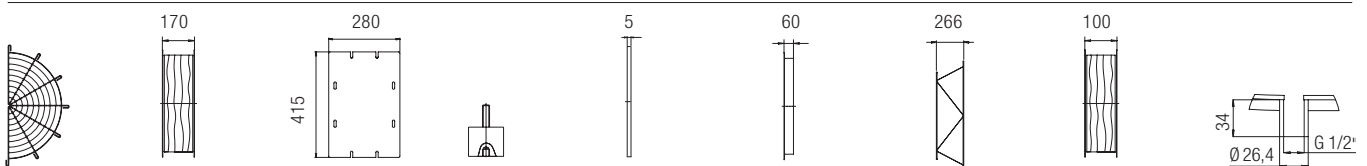
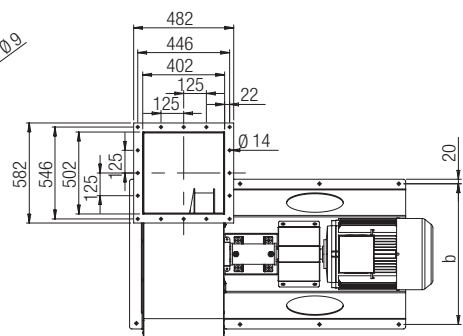
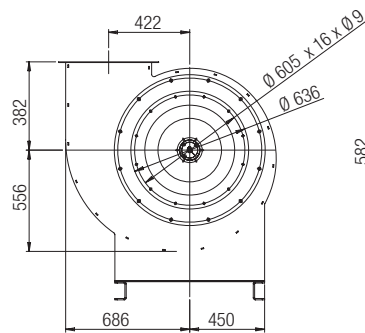
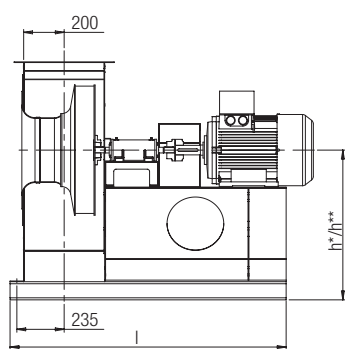
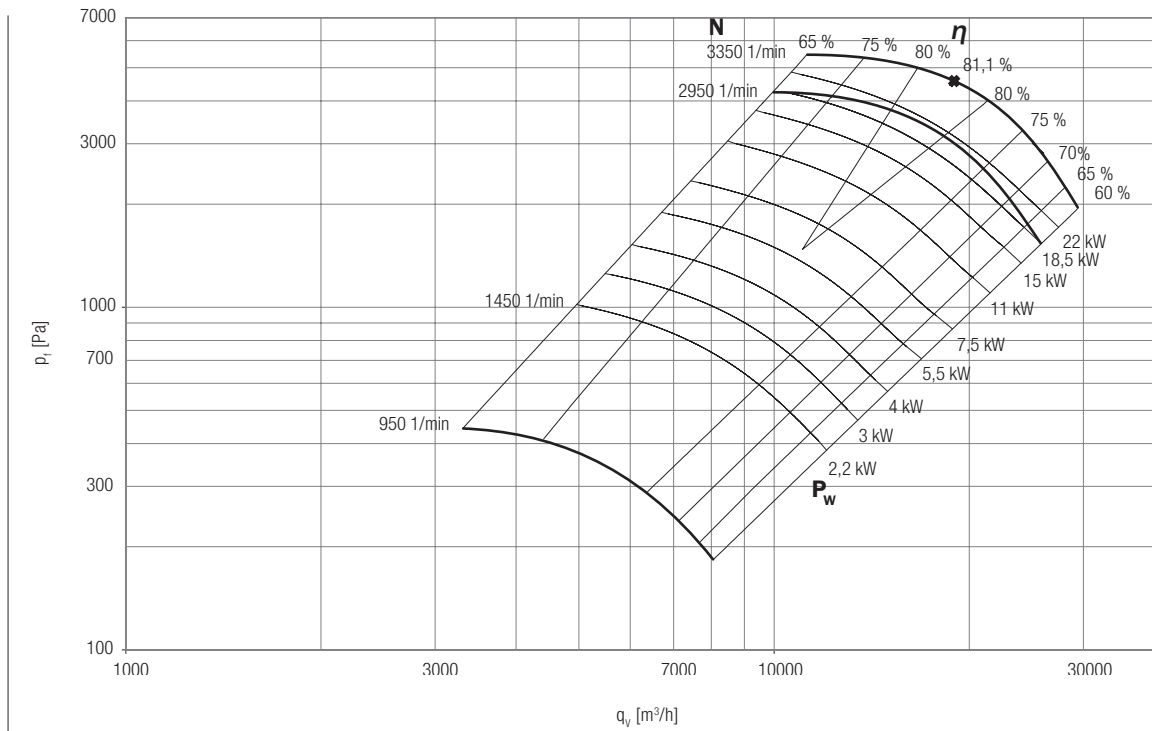
All indicated values for 400V/50Hz/3~.

$h^*$ : Casing position: 0°, 90°

$h^{**}$ : Casing position: 270°

# HREK01-71-0560 Centrifugal fan

Megatec by Pollrich DLK



- Z05** Protective grill suction side  
Ord. no. B151066
- Z10** Flexible sleeve round  
Ord. no. B141033
- Z13** Inspection hatch  
Ord. no. B240512
- Z16** Rubber anti vibration mounts (see below)
- Z18** Flange, round  
Ord. no. B101448
- Z19** Flange, square  
Ord. no. B101264
- Z45** Counter flange  
Ord. no. B101431
- Z63** Transition piece, square to round  
Ord. no. B101569
- Z81** Flexible sleeve square  
Ord. no. B101336
- Z89** Condensatee drain  
Ord. no. B240506

Full specifications for accessoires, see page 122

## HREK01-71-0560-B

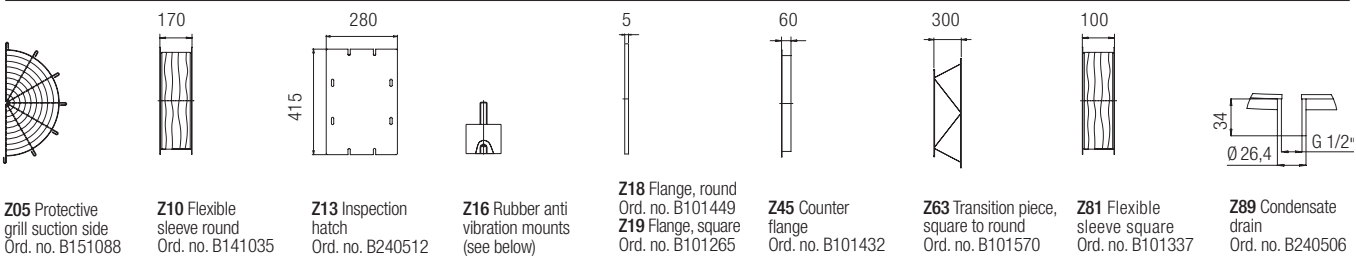
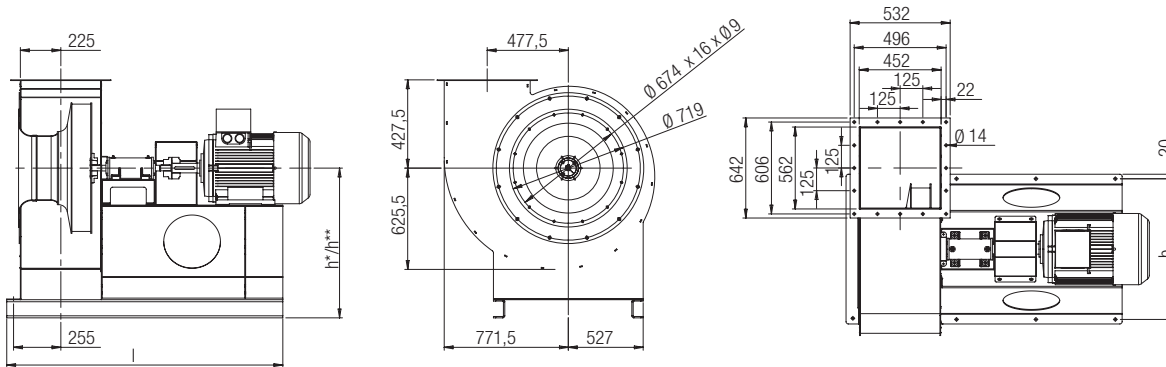
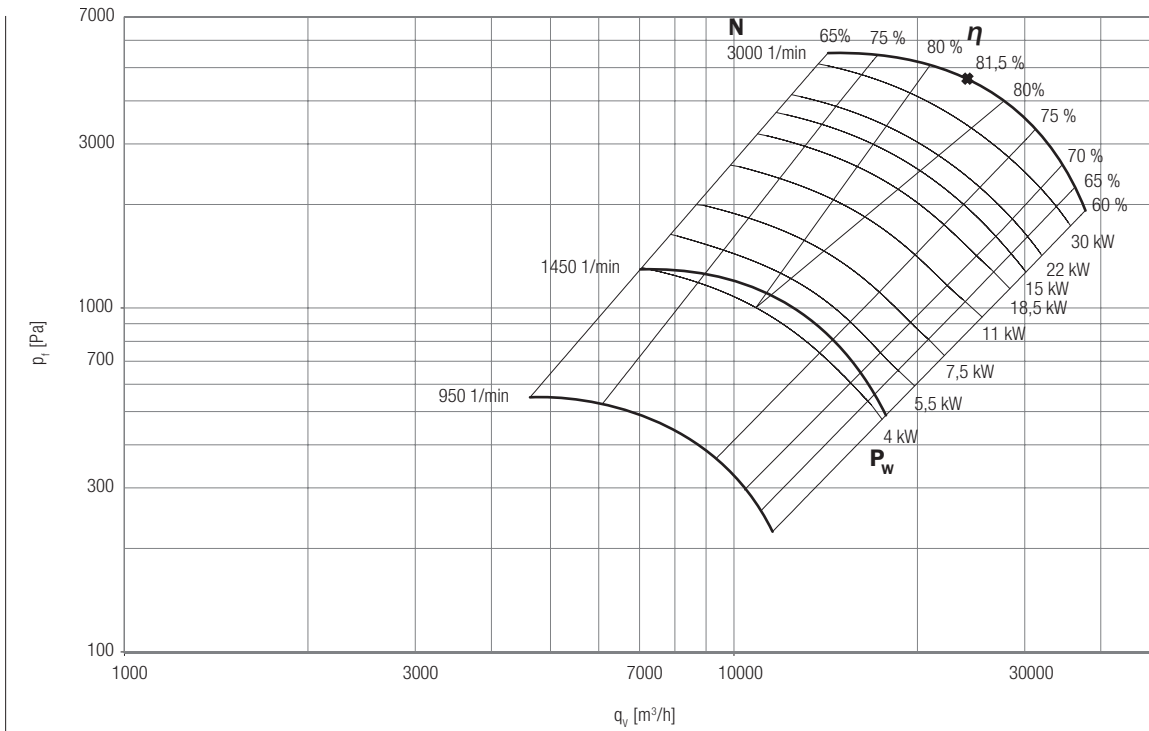
Order no. Fan	Motor power output [kW]	Speed [1/min]	Voltage [V] Connection	Nominal current [A]	Starting current [A]	Weight ca. [kg]	Order no. Z16	h* / h** [mm]	b [mm]	l [mm]
B111076	18.5	2937	400/690 Δ/Y	33.0	244.2	321	B149928	760/890	620	1653
B111077	22	2940	400/690 Δ/Y	38.1	297.2	357	B149928	760/890	620	1653
B111078	30	2950	400/690 Δ/Y	53.4	416.5	414	B149928	760/890	620	1653
B111079	2.2	1440	230/400 Δ/Y	4.6	32.5	192	B149380	760/890	620	1368
B111080	3	1440	230/400 Δ/Y	6.2	43.3	198	B149380	760/890	620	1368
B111081	4	1445	400/690 Δ/Y	8.1	60.9	205	B128059	760/890	620	1378
B111082	5.5	1455	400/690 Δ/Y	10.9	69.8	217	B128059	760/890	620	1398
B111083	7.5	1455	400/690 Δ/Y	14.5	101.5	228	B128059	760/890	620	1398
B111084	11	1460	400/690 Δ/Y	22.1	152.5	302	B149928	760/890	620	1598
B111085	15	1460	400/690 Δ/Y	29.6	222.0	279	B128059	760/890	620	1598
B111086	18.5	1470	400/690 Δ/Y	32.7	255.3	335	B149928	760/890	620	1598

All indicated values for 400V/50Hz/3~.

h\*: Casing position: 0°, 90° h\*\*: Casing position: 270°

# HREK01-71-0630 Centrifugal fan

Megatec by Pollrich DLK



Full specifications for accessories, see page 122

## HREK01-71-0630-B

Order no. Fan	Motor power output [kW]	Speed [1/min]	Voltage [V] Connection	Nominal current [A]	Starting current [A]	Weight ca. [kg]	Order no. Z16	h* / h** [mm]	b [mm]	l [mm]
B111087	30	2950	400/690 Δ/Y	53.4	416.5	443	B149928	825/975	690	1676
B111088	4	1445	400/690 Δ/Y	8.1	60.9	233	B128059	825/975	690	1543
B111089	5.5	1455	400/690 Δ/Y	10.9	69.8	245	B128059	825/975	690	1563
B111090	7.5	1455	400/690 Δ/Y	14.5	101.5	261	B128059	825/975	690	1618
B111091	11	1460	400/690 Δ/Y	22.1	152.5	335	B149928	825/975	690	1648
B111092	15	1460	400/690 Δ/Y	29.6	222.0	312	B149928	825/975	690	1648
B111093	18.5	1470	400/690 Δ/Y	32.7	255.3	368	B149928	825/975	690	1648
B111094	22	1470	400/690 Δ/Y	38.4	288.2	385	B149928	825/975	690	1648

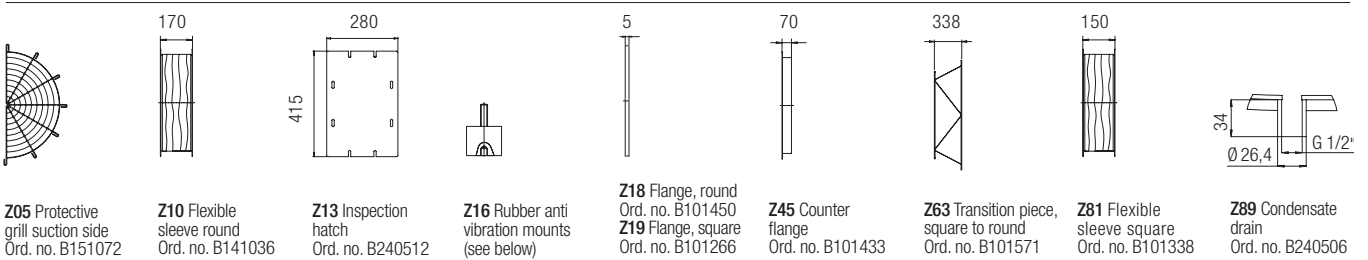
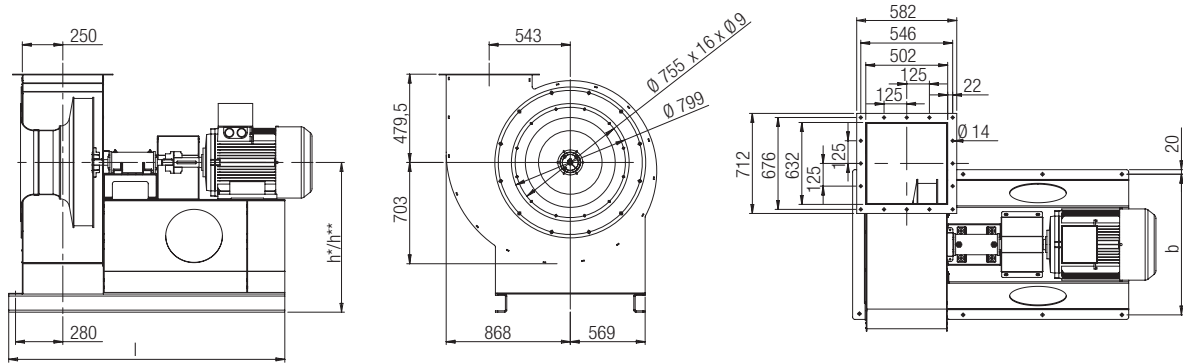
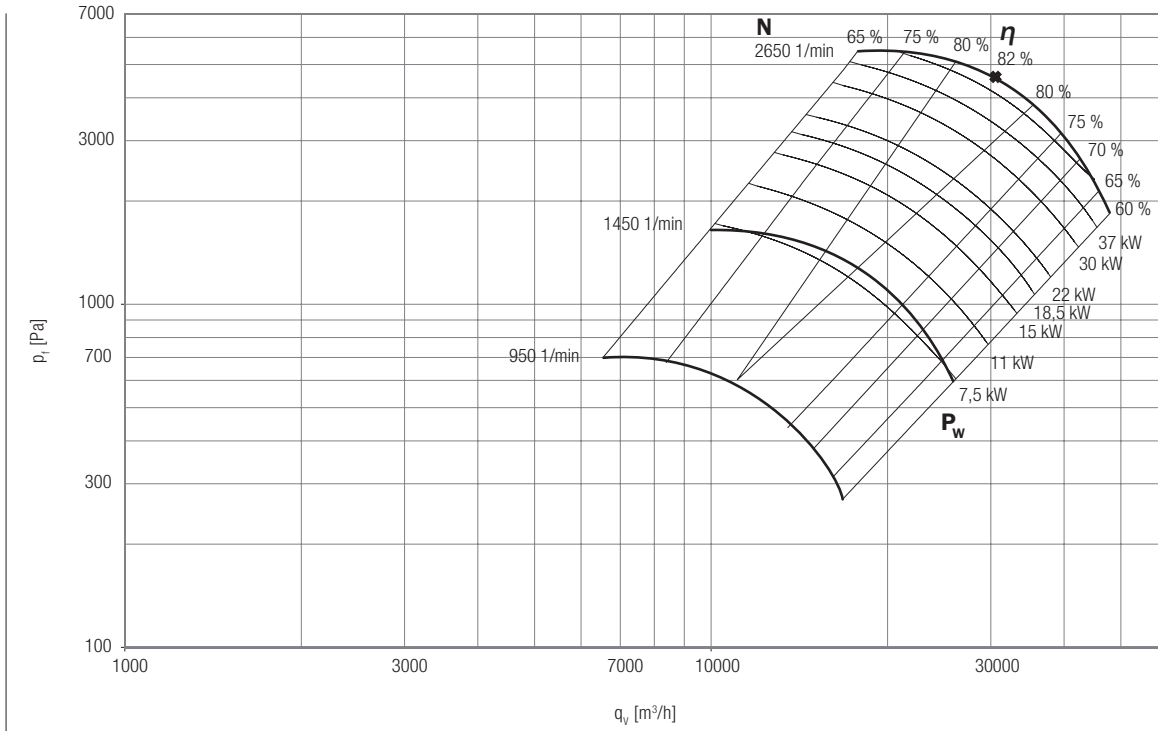
All indicated values for 400V/50Hz/3~.

h\*: Casing position: 0°, 90°

h\*\*: Casing position: 270°

# HREK01-71-0710 Centrifugal fan

Megatec by Pollrich DLK



Full specifications for accessoires, see page 122

## HREK01-71-0710-B

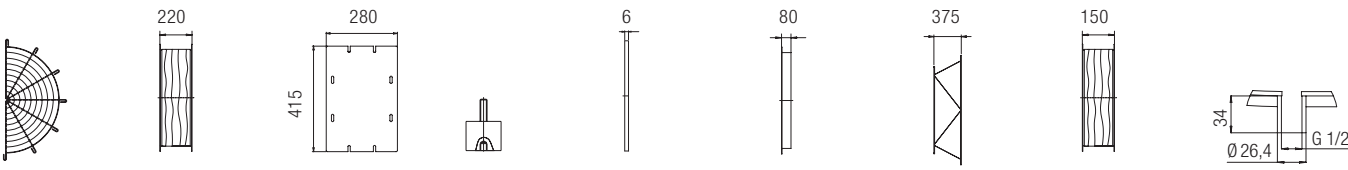
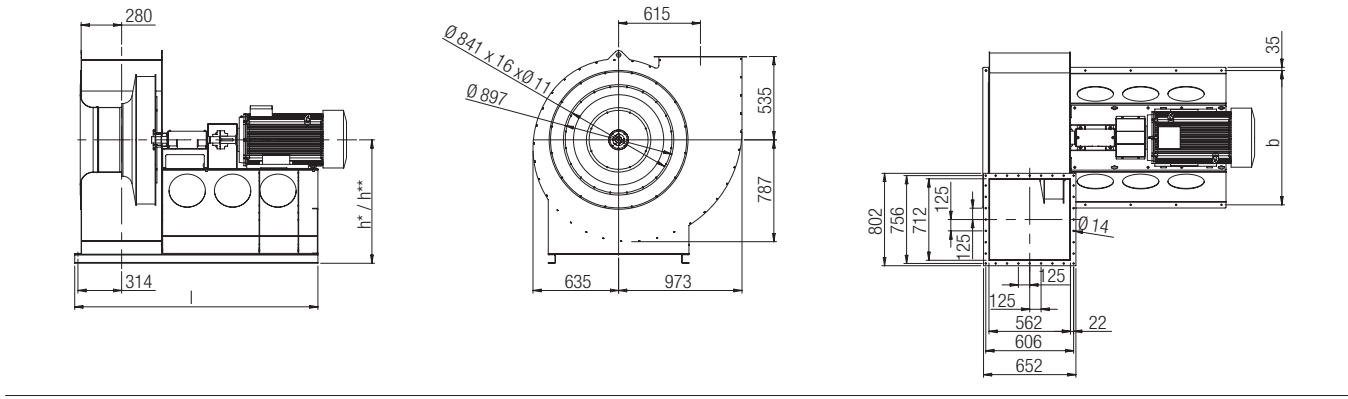
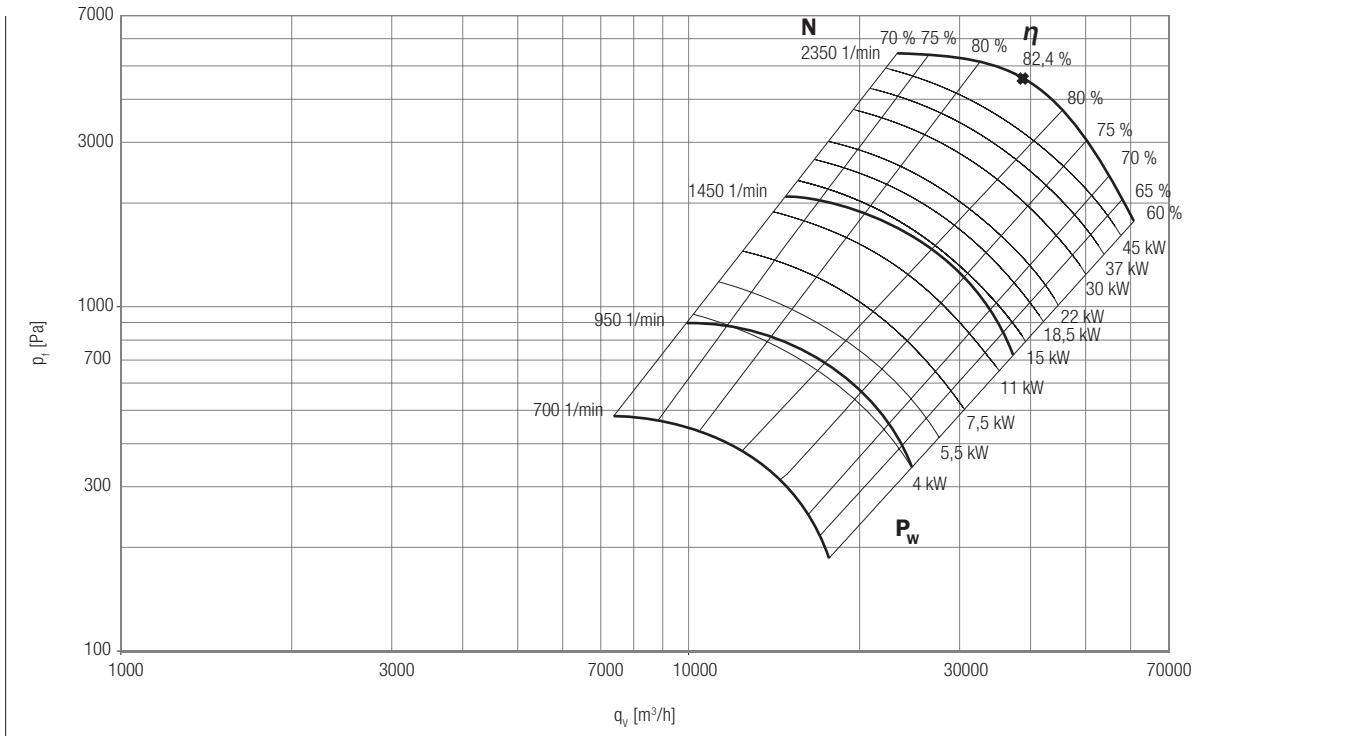
Order no. Fan	Motor power output [kW]	Speed [1/min]	Voltage [V] Connection	Nominal current [A]	Starting current [A]	Weight ca. [kg]	Order no. Z16	h* / h** [mm]	b [mm]	l [mm]
B111095	55	2965	400/690 Δ/Y	93.6	664.6	633	B149937	905/1070	770	1908
B111096	7.5	1455	400/690 Δ/Y	14.5	101.5	299	B128059	905/1070	770	1663
B111097	11	1460	400/690 Δ/Y	22.1	152.5	383	B149928	905/1070	770	1733
B111098	15	1460	400/690 Δ/Y	29.6	222.0	360	B149928	905/1070	770	1733
B111099	18.5	1470	400/690 Δ/Y	32.7	255.3	416	B149928	905/1070	770	1733
B111100	22	1470	400/690 Δ/Y	38.4	288.2	433	B149928	905/1070	770	1733
B111101	30	1470	400/690 Δ/Y	54.4	386.2	519	B149937	905/1070	770	1878
B111102	37	1480	400/690 Δ/Y	66.2	496.5	561	B149937	905/1070	770	1908
B111103	45	1480	400/690 Δ/Y	80.1	608.8	591	B149937	905/1070	770	1908

All indicated values for 400V/50Hz/3~.

h\*: Casing position: 0°, 90° h\*\*: Casing position: 270°

# HREK01-71-0800 Centrifugal fan

Megatec by Pollrich DLK



- Z05** Protective grill suction side  
Ord. no. B151092
- Z10** Flexible sleeve round  
Ord. no. B141037
- Z13** Inspection hatch  
Ord. no. B240512
- Z16** Rubber anti vibration mounts (see below)
- Z18** Flange, round  
Ord. no. B101451
- Z19** Flange, square  
Ord. no. B101267
- Z45** Counter flange  
Ord. no. B101434
- Z63** Transition piece, square to round  
Ord. no. B101572
- Z81** Flexible sleeve square  
Ord. no. B101339
- Z89** Condensate drain  
Ord. no. B240506

Full specifications for accessories, see page 122

## HREK01-71-0800-B

Order no. Fan	Motor power output [kW]	Speed [1/min]	Voltage [V] Connection	Nominal current [A]	Starting current [A]	Weight ca. [kg]	Order no. Z16	$h^*/h^{**}$ [mm]	b [mm]	l [mm]
B111104	15	1460	400/690 $\Delta/Y$	29.6	222.0	412	B149928	1010/1195	880	1789
B111105	18.5	1470	400/690 $\Delta/Y$	32.7	255.3	468	B149928	1010/1195	880	1825
B111106	22	1470	400/690 $\Delta/Y$	38.4	288.2	485	B149928	1010/1195	880	1825
B111107	30	1470	400/690 $\Delta/Y$	54.4	386.2	571	B149928	1010/1195	880	1916
B111108	37	1480	400/690 $\Delta/Y$	66.2	496.5	613	B149937	1010/1195	880	1946
B111109	45	1480	400/690 $\Delta/Y$	80.1	608.8	643	B149937	1010/1195	880	1986
B111110	4	965	400/690 $\Delta/Y$	9.0	44.8	340	B128059	1010/1195	880	1567
B111111	5.5	965	400/690 $\Delta/Y$	12.0	66.0	351	B128059	1010/1195	880	1567
B111112	7.5	970	400/690 $\Delta/Y$	15.9	103.4	387	B128059	1010/1195	880	1749
B111113	11	970	400/690 $\Delta/Y$	22.1	166.1	437	B149928	1010/1195	880	1749
B111114	15	975	400/690 $\Delta/Y$	29.8	190.7	489	B149928	1010/1195	880	1785

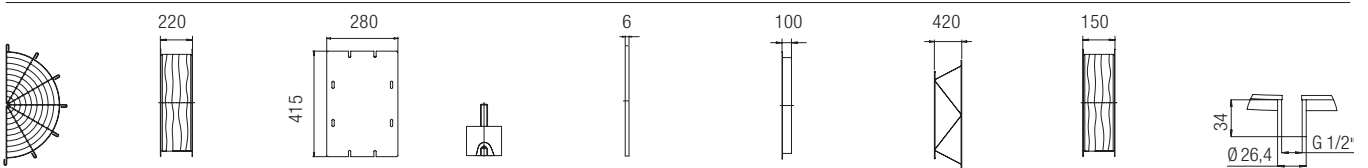
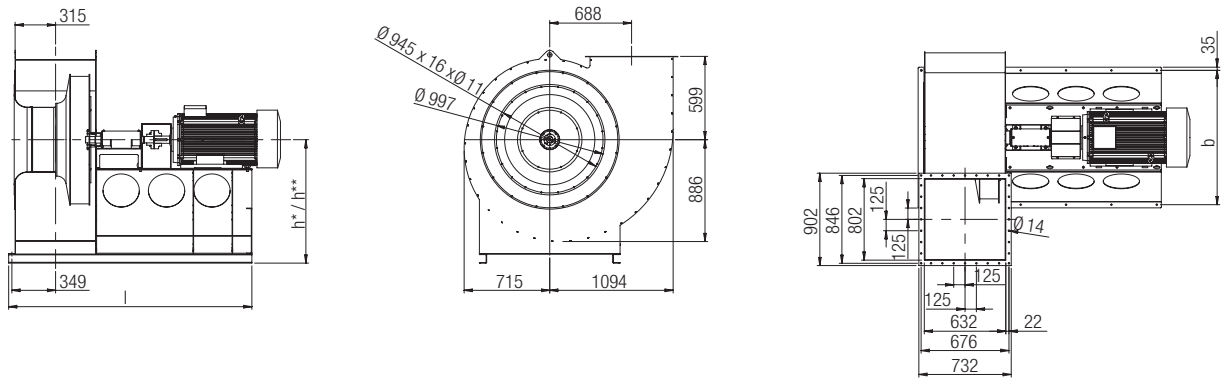
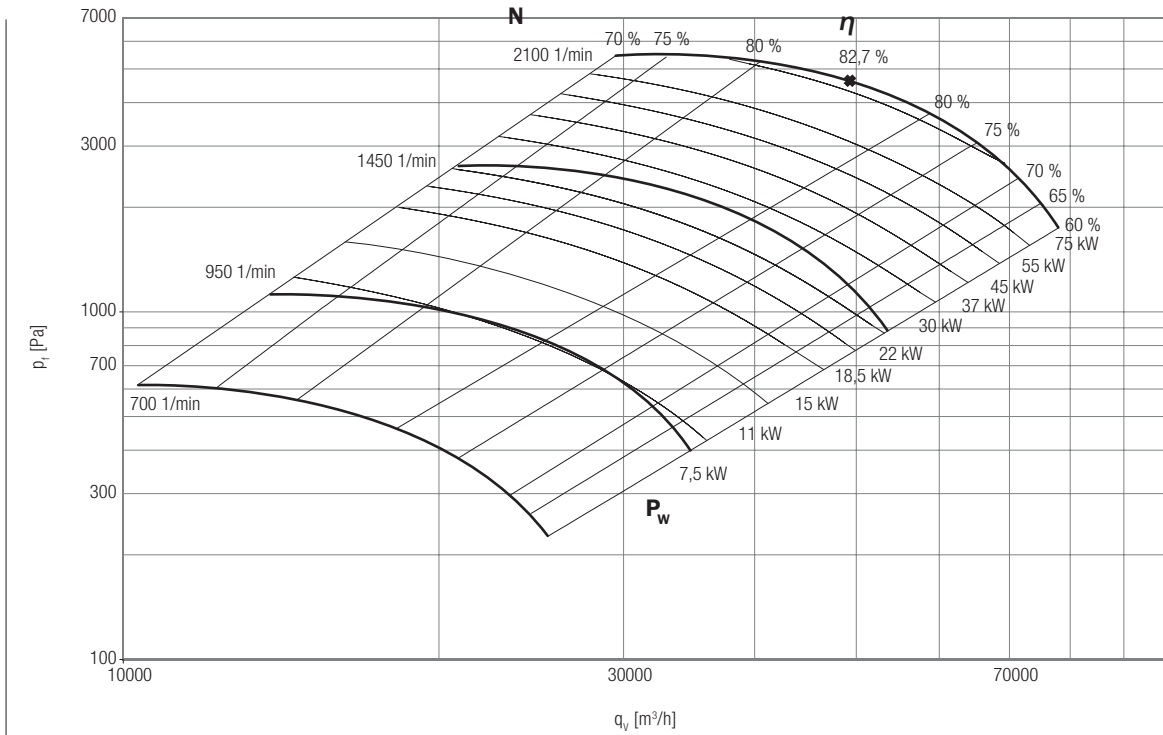
All indicated values for 400V/50Hz/3~.

$h^*$ : Casing position: 0°, 90°

$h^{**}$ : Casing position: 270°

# HREK01-71-0900 Centrifugal fan

Megatec by Pollrich DLK



- Z05** Protective grill suction side  
Ord. no. B190582
- Z10** Flexible sleeve round  
Ord. no. B141038
- Z13** Inspection hatch  
Ord. no. B240512
- Z16** Rubber anti vibration mounts (see below)
- Z18** Flange, round  
Ord. no. B101452
- Z19** Flange, square  
Ord. no. B101268
- Z45** Counter flange  
Ord. no. B101435
- Z63** Transition piece, square to round  
Ord. no. B101573
- Z81** Flexible sleeve square  
Ord. no. B101340
- Z89** Condensate drain  
Ord. no. B240506

Full specifications for accessoires, see page 122

## HREK01-71-0900-B

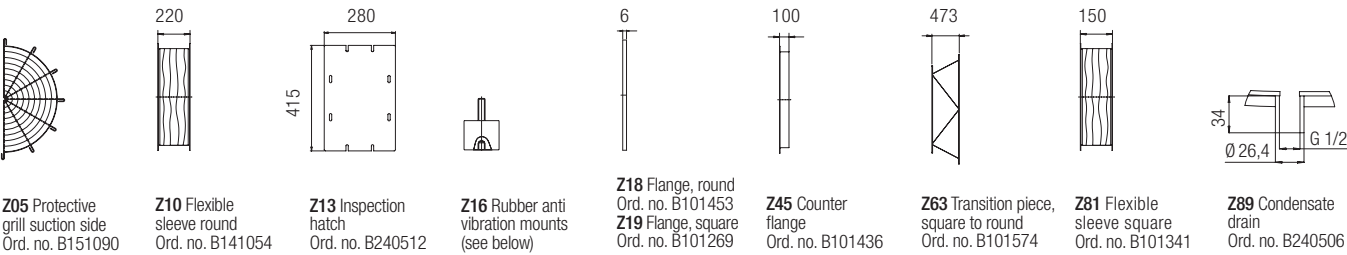
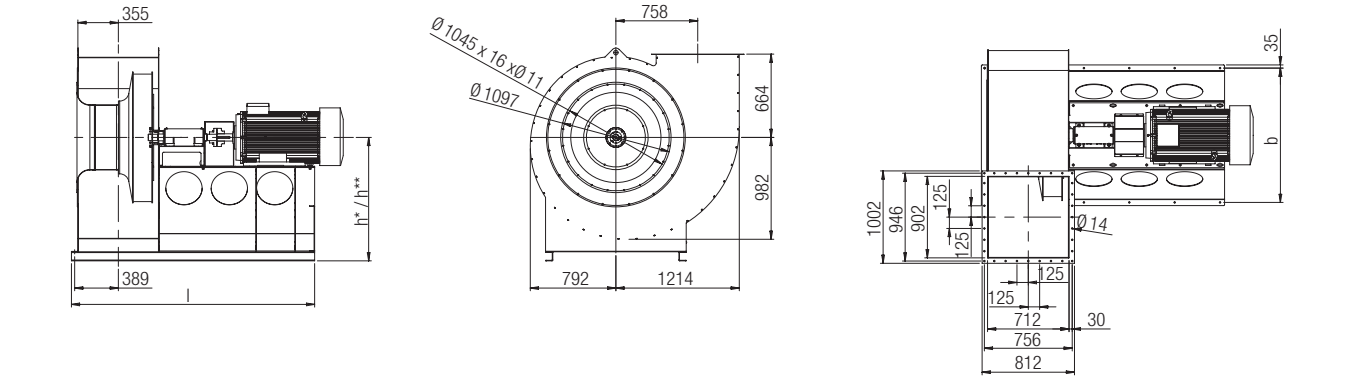
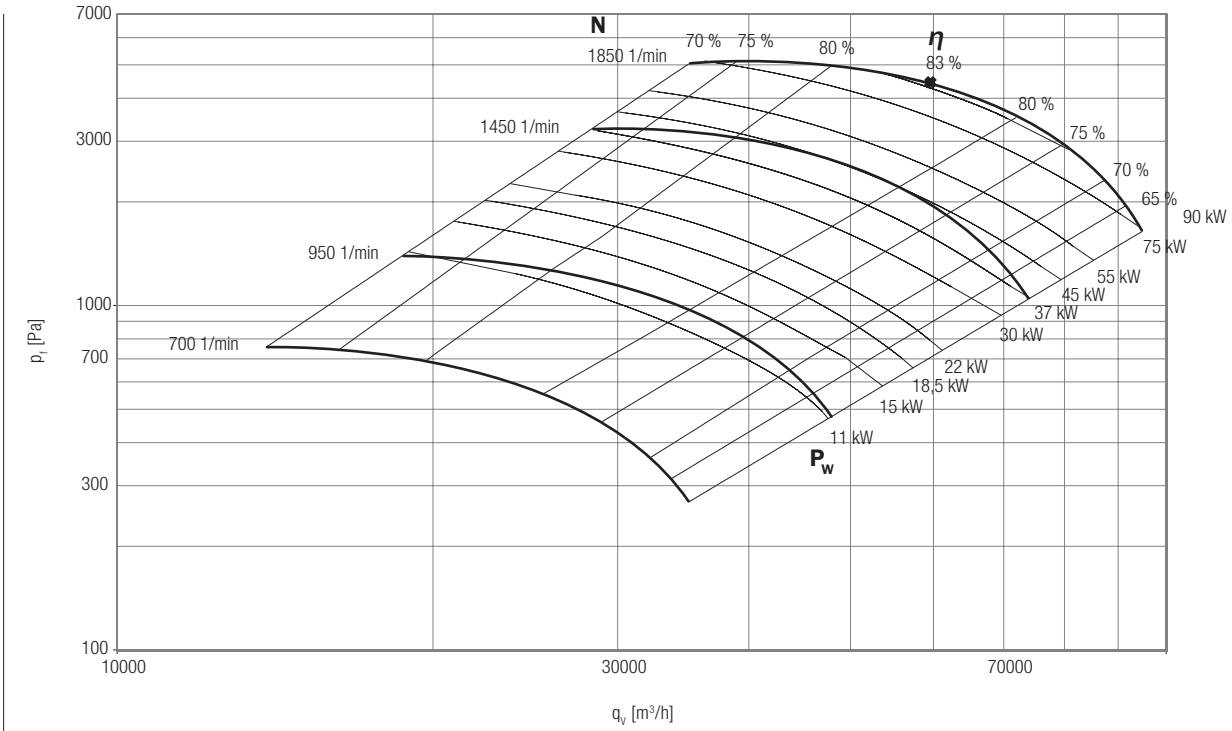
Order no. Fan	Motor power output [kW]	Speed [1/min]	Voltage [V] Connection	Nominal current [A]	Starting current [A]	Weight ca. [kg]	Order no. Z16	h* / h** [mm]	b [mm]	l [mm]
B111115	22	1470	400/690 $\Delta/Y$	38.4	301.5	566	B149928	1110/1315	980	1893
B111116	30	1470	400/690 $\Delta/Y$	54.4	386.2	652	B149937	1110/1315	980	1984
B111117	37	1480	400/690 $\Delta/Y$	66.2	496.5	694	B149937	1110/1315	980	2051
B111118	45	1480	400/690 $\Delta/Y$	80.1	608.8	724	B149937	1110/1315	980	2051
B111119	55	1480	400/690 $\Delta/Y$	96.7	711.8	771	B149937	1110/1315	980	2112
B111120	75	1480	400/690 $\Delta/Y$	131.0	1003.2	903	B149937	1110/1315	980	2184
B111121	7.5	970	400/690 $\Delta/Y$	15.9	103.4	478	B149928	1110/1315	980	2037
B111122	11	970	400/690 $\Delta/Y$	22.1	171.8	528	B149928	1110/1315	980	1857
B111123	15	975	400/690 $\Delta/Y$	29.8	190.7	580	B149928	1110/1315	980	1893
B111124	18.5	980	400/690 $\Delta/Y$	35.7	254.8	582	B149928	1110/1315	980	1984
B111125	22	980	400/690 $\Delta/Y$	41.6	294.0	612	B149937	1110/1315	980	1984

All indicated values for 400V/50Hz/3~.

h\*: Casing position: 0°, 90° h\*\*: Casing position: 270°

# HREK01-71-1000 Centrifugal fan

Megatec by Pollrich DLK



Full specifications for accessories, see page 122

## HREK01-71-1000-B

Order no. Fan	Motor power output [kW]	Speed [1/min]	Voltage [V] Connection	Nominal current [A]	Starting current [A]	Weight ca. [kg]	Order no. Z16	$h^* / h^{**}$ [mm]	b [mm]	l [mm]
B111126	37	1480	400/690 $\Delta/Y$	66.2	496.5	813	B149937	1205/1435	1080	2269
B111127	45	1480	400/690 $\Delta/Y$	80.1	608.8	843	B149937	1205/1435	1080	2269
B111128	55	1480	400/690 $\Delta/Y$	96.7	711.8	890	B149937	1205/1435	1080	2330
B111129	75	1480	400/690 $\Delta/Y$	131.0	1003.2	1022	B149948	1205/1435	1080	2402
B111130	90	1480	400/690 $\Delta/Y$	157.0	1185.0	1118	B149948	1205/1435	1080	2402
B111131	15	975	400/690 $\Delta/Y$	29.8	190.7	675	B149937	1205/1435	1080	1998
B111132	18.5	980	400/690 $\Delta/Y$	35.7	254.8	677	B149937	1205/1435	1080	2089
B111133	22	980	400/690 $\Delta/Y$	41.6	294.0	707	B149937	1205/1435	1080	2089
B111134	30	980	400/690 $\Delta/Y$	56.2	365.3	775	B149937	1205/1435	1080	2159
B111135	37	980	400/690 $\Delta/Y$	66.9	464.4	851	B149937	1205/1435	1080	2220
B111136	11	730	400/690 $\Delta/Y$	23.4	142.8	635	B149937	1205/1435	1080	2033

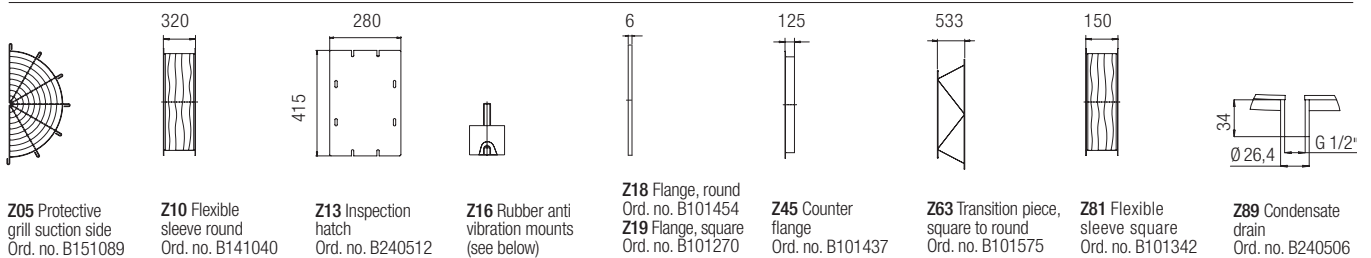
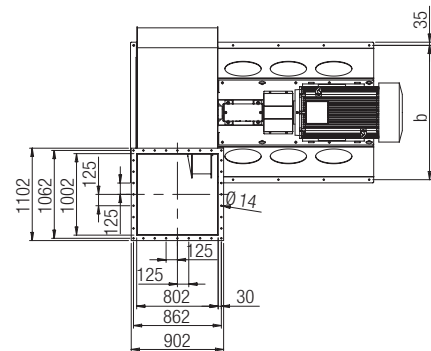
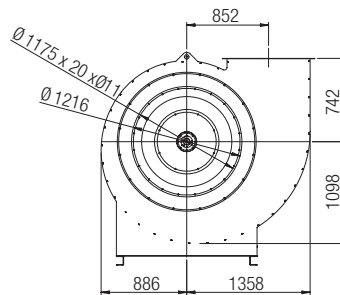
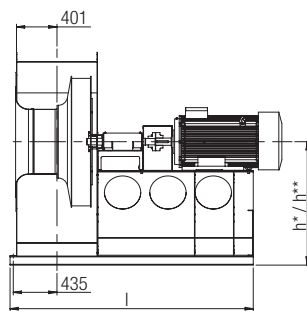
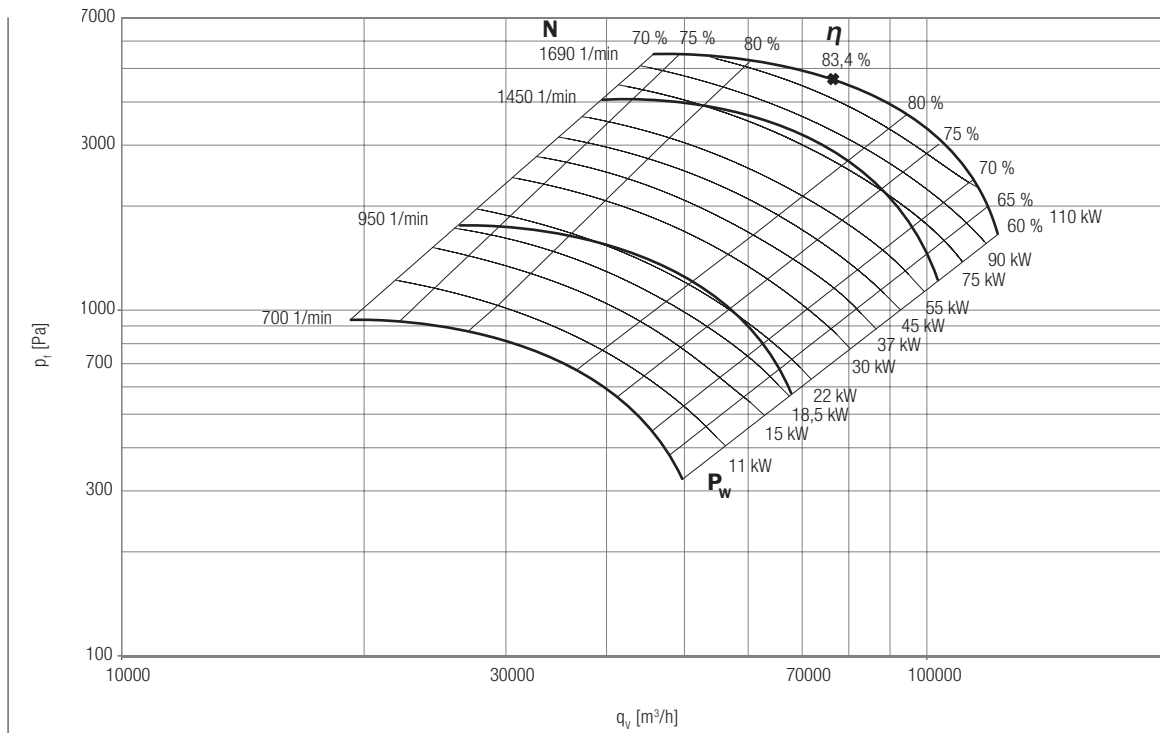
All indicated values for 400V/50Hz/3~.

$h^*$ : Casing position: 0°, 90°  $h^{**}$ : Casing position: 270°



# HREK01-71-1120 Centrifugal fan

Megatec by Pollrich DLK



## HREK01-71-1120-B

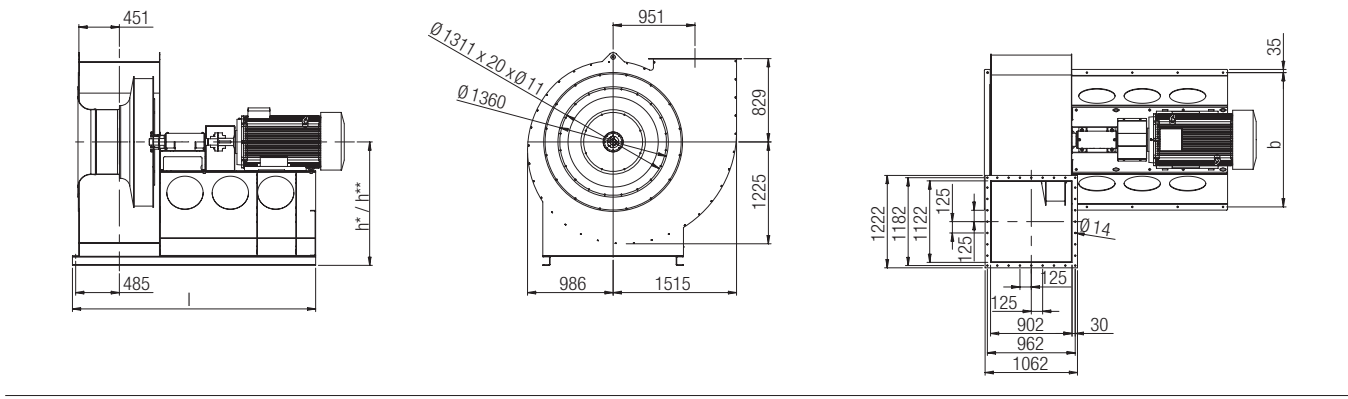
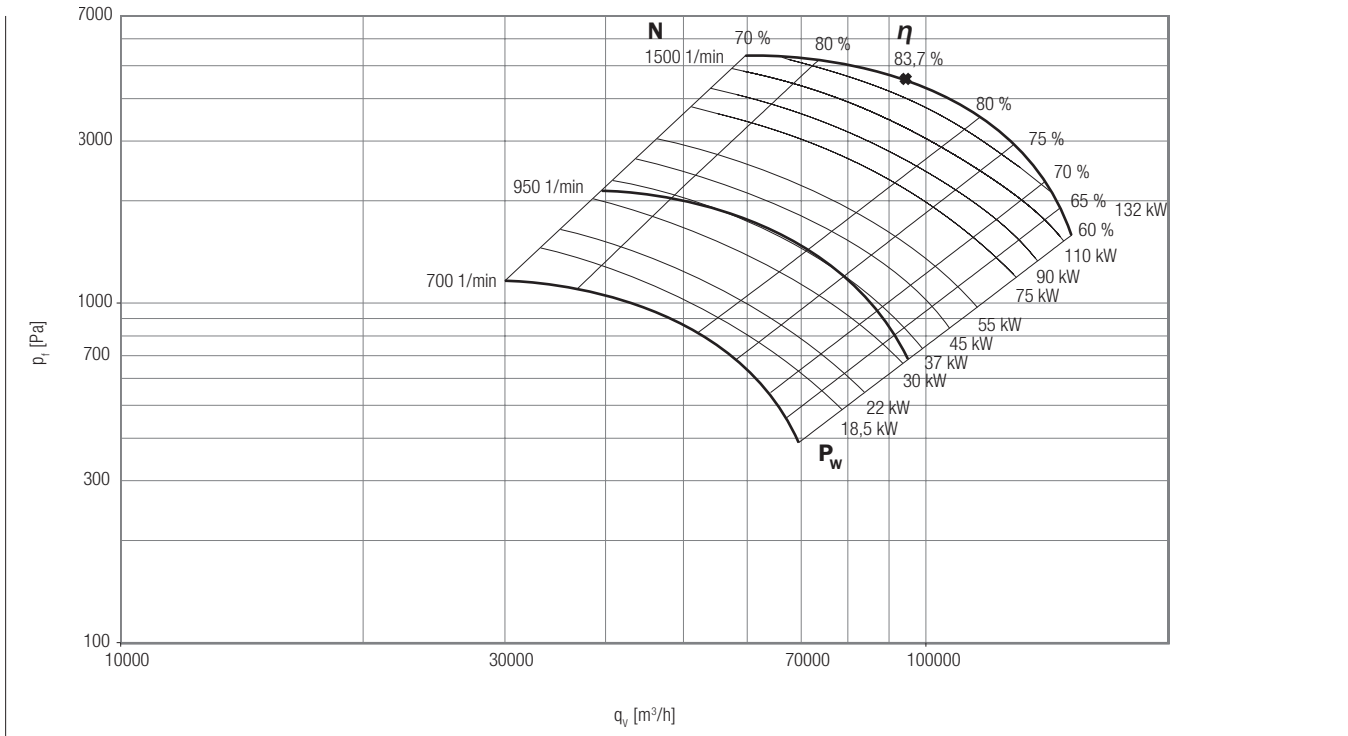
Order no. Fan	Motor power output [kW]	Speed [1/min]	Voltage [V] Connection	Nominal current [A]	Starting current [A]	Weight ca. [kg]	Order no. Z16	h* / h** [mm]	b [mm]	l [mm]
B111137	75	1480	400/690 Δ/Y	131.0	1003.2	1167	B149948	1320/1580	1200	2497
B111138	90	1480	400/690 Δ/Y	157.0	1185.0	1263	B149948	1320/1580	1200	2497
B111139	110	1485	400/690 Δ/Y	191.0	1356.1	1606	B149948	1320/1580	1200	2730
B111140	18.5	980	400/690 Δ/Y	35.7	254.8	845	B149937	1320/1580	1200	2304
B111141	22	980	400/690 Δ/Y	41.6	294.0	875	B149937	1320/1580	1200	2304
B111142	30	980	400/690 Δ/Y	56.2	365.3	943	B149937	1320/1580	1200	2374
B111143	37	980	400/690 Δ/Y	66.9	464.4	1019	B149948	1320/1580	1200	2435
B111144	45	980	400/690 Δ/Y	80.4	570.5	1141	B149948	1320/1580	1200	2507
B111145	55	980	400/690 Δ/Y	96.6	704.3	1196	B149948	1320/1580	1200	2507
B111146	75	985	400/690 Δ/Y	132.1	978.2	1570	B149948	1320/1580	1200	2740
B111147	11	730	400/690 Δ/Y	23.4	142.8	805	B149937	1320/1580	1200	2213
B111148	15	730	400/690 Δ/Y	32.1	213.8	873	B149937	1320/1580	1200	2304

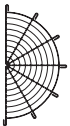

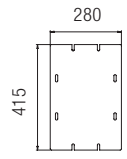



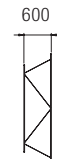
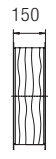

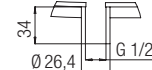
All indicated values for 400V/50Hz/3~.

h\*: Casing position: 0°, 90° h\*\*: Casing position: 270°

# HREK01-71-1250 Centrifugal fan

Megatec by Pollrich DLK



-   
**Z05** Protective grill suction side  
 Ord. no. B151082
-   
**Z10** Flexible sleeve round  
 Ord. no. B141026
-   
**Z13** Inspection hatch  
 Ord. no. B240512
-   
**Z16** Rubber anti vibration mounts (see below)
-   
**Z18** Flange, round  
 Ord. no. B101455
-   
**Z19** Flange, square  
 Ord. no. B101271
-   
**Z45** Counter flange  
 Ord. no. B101438
-   
**Z63** Transition piece, square to round  
 Ord. no. B101576
-   
**Z81** Flexible sleeve square  
 Ord. no. B101343
-   
**Z89** Condensate drain  
 Ord. no. B240506

Full specifications for accessoires, see page 122

## HREK01-71-1250-B

Order no. Fan	Motor power output [kW]	Speed [1/min]	Voltage [V] Connection	Nominal current [A]	Starting current [A]	Weight ca. [kg]	Order no. Z16	$h^*/h^{**}$ [mm]	b [mm]	l [mm]
B111149	110	1485	400/690 Δ/Y	191.0	1356.1	1836	B149948	1445/1735	1330	2843
B111150	132	1485	400/690 Δ/Y	228.0	1664.4	1923	B250291	1445/1735	1330	2843
B111151	160	1485	400/690 Δ/Y	273.0	2020.2	1993	B250291	1445/1735	1330	2843
B111152	30	980	400/690 Δ/Y	56.2	365.3	1174	B149948	1445/1735	1330	2477
B111153	37	980	400/690 Δ/Y	66.9	464.4	1250	B149948	1445/1735	1330	2538
B111154	45	980	400/690 Δ/Y	80.4	570.5	1372	B149948	1445/1735	1330	2610
B111155	55	980	400/690 Δ/Y	96.6	704.3	1427	B149948	1445/1735	1330	2610
B111156	75	985	400/690 Δ/Y	132.1	978.2	1801	B149948	1445/1735	1330	2843
B111157	90	985	400/690 Δ/Y	159.0	1136.0	1879	B250291	1445/1735	1330	2843
B111158	110	985	400/690 Δ/Y	194.0	1450.4	1951	B250291	1445/1735	1330	2843
B111159	18.5	730	400/690 Δ/Y	39.0	257.4	1120	B149948	1445/1735	1330	2477
B111160	22	730	400/690 Δ/Y	44.2	297.0	1143	B149948	1445/1735	1330	2477

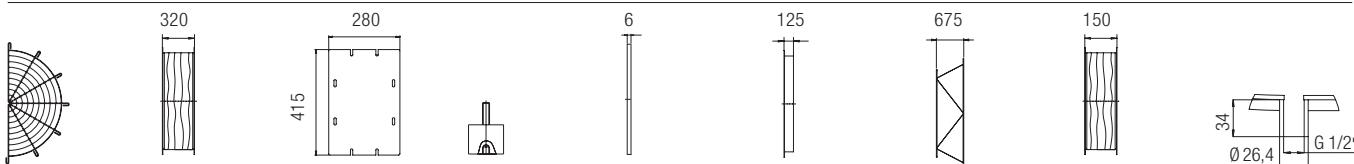
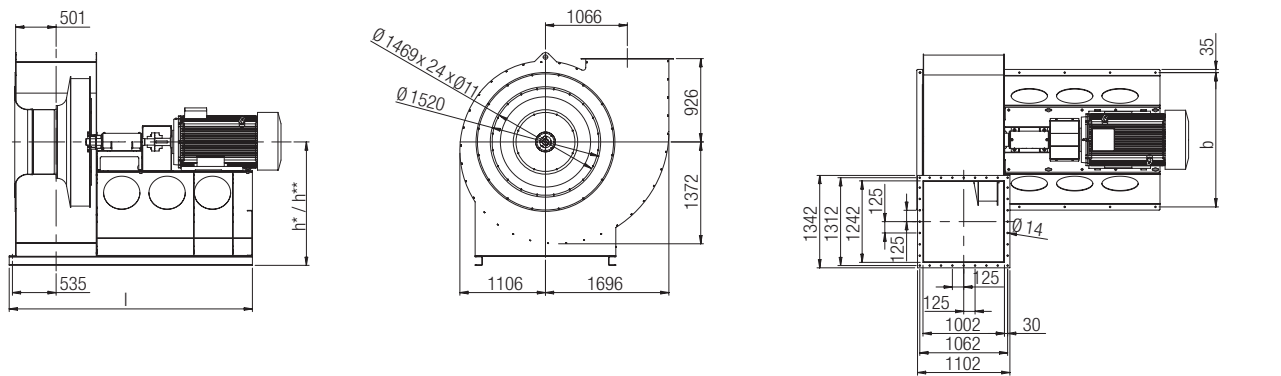
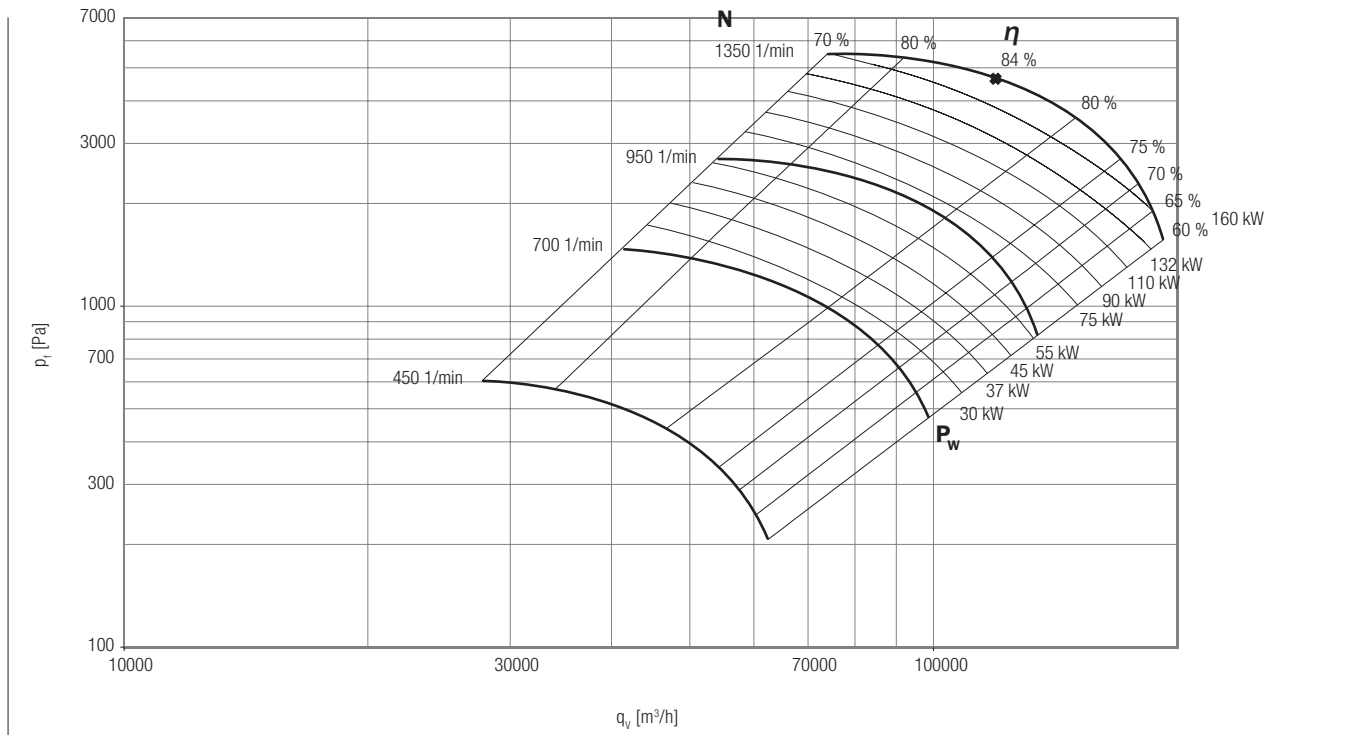
All indicated values for 400V/50Hz/3~.

$h^*$ : Casing position: 0°, 90°

$h^{**}$ : Casing position: 270°

# HREK01-71-1400 Centrifugal fan

Megatec by Pollrich DLK



- Z05** Protective grill suction side  
Ord. no. B151094
- Z10** Flexible sleeve round  
Ord. no. B166140
- Z13** Inspection hatch  
Ord. no. B240512
- Z16** Rubber anti-vibration mounts (see below)
- Z18** Flange, round  
Ord. no. B101456
- Z19** Flange, square  
Ord. no. B101272
- Z45** Counter flange  
Ord. no. B101433
- Z63** Transition piece, square to round  
Ord. no. B101577
- Z81** Flexible sleeve square  
Ord. no. B101344
- Z89** Condensate drain  
Ord. no. B240506

## HREK01-71-1400-B

Full specifications for accessoires, see page 122

Order no.	Motor power output [kW]	Speed [1/min]	Voltage [V] Connection	Nominal current [A]	Starting current [A]	Weight ca. [kg]	Order no.	h* / h** [mm]	b [mm]	l [mm]
B111161	75	985	400/690 $\Delta/Y$	132.1	978.2	2142	B250291	1600/1920	1480	2945
B111162	90	985	400/690 $\Delta/Y$	159.0	1136	2220	B250291	1600/1920	1480	2945
B111163	110	985	400/690 $\Delta/Y$	194.0	1450.4	2292	B250291	1600/1920	1480	2945
B111164	132	985	400/690 $\Delta/Y$	229.0	1755.6	2412	B250291	1600/1920	1480	2945
B111165	160	990	400/690 $\Delta/Y$	274.0	2105.2	2781	B250291	1600/1920	1480	3067
B111166	200	990	400/690 $\Delta/Y$	345.0	2691	2831	B250291	1600/1920	1480	3067
B111167	30	735	400/690 $\Delta/Y$	60.2	401.28	1579	B149948	1600/1920	1480	2640
B111168	37	735	400/690 $\Delta/Y$	72.6	488.4	1695	B149948	1600/1920	1480	2712
B111169	45	735	400/690 $\Delta/Y$	88.0	589.38	1761	B149948	1600/1920	1480	2712
B111170	55	735	400/690 $\Delta/Y$	104.0	693	2127	B250291	1600/1920	1480	2945
B111171	75	735	400/690 $\Delta/Y$	141.0	943.8	2227	B250291	1600/1920	1480	2945
B111172	90	735	400/690 $\Delta/Y$	167.0	1115.4	2282	B250291	1600/1920	1480	2945
B101188	90	735	400/690 $\Delta/Y$	167.0	1115.4	1990	B250291	1500/1820	760	2120

All indicated values for 400V/50Hz/3~.

h\*: Casing position: 0°, 90° h\*\*: Casing position: 270°

# ACCESSORIES FOR CENTRIFUGAL FANS, DIRECT DRIVEN **HREK**

## Z05 Protection guard

Contact protection according to DIN EN 294 Steel, powder coated RAL7015. Only required for free suction side installation situation. Supplied loose.

## Z10 Flexible sleeve, round

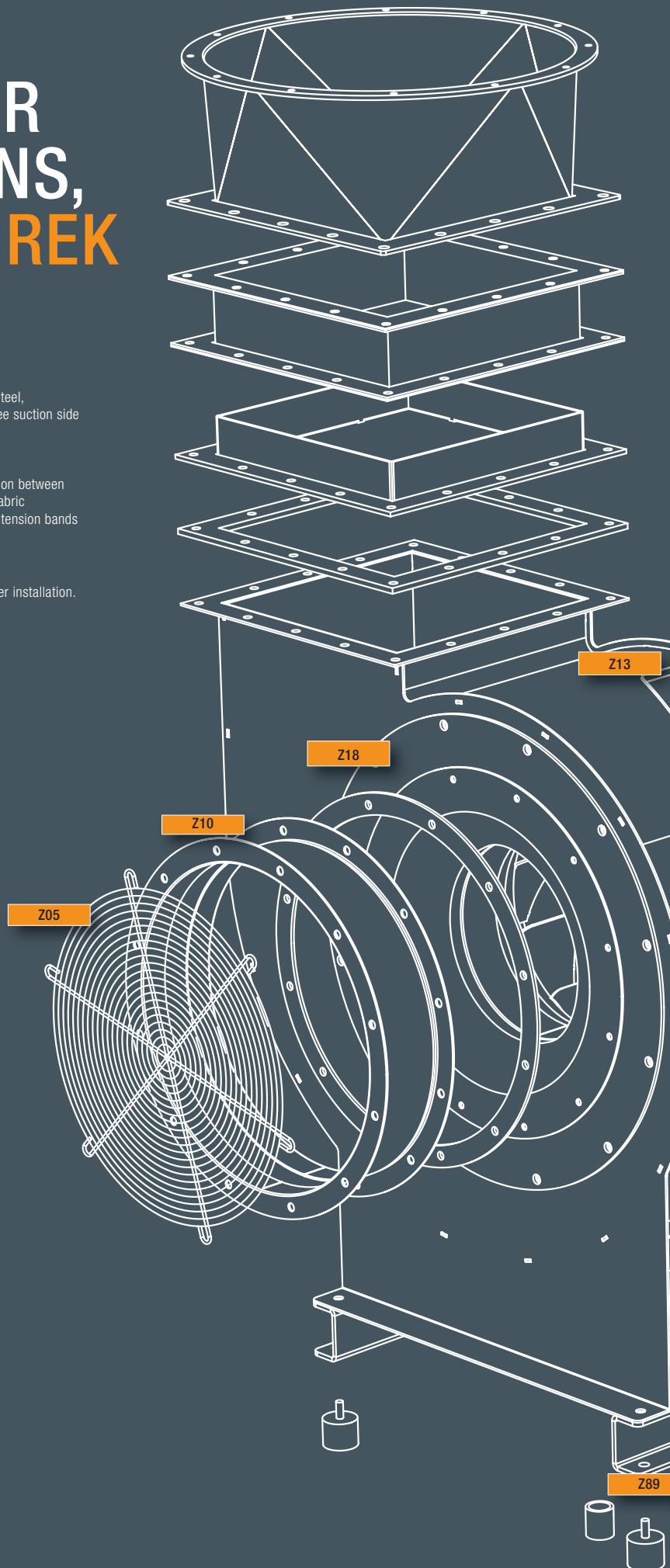
For the prevention of impact sound transmission between fan and duct system, cuff made of PVC with fabric reinforcement, including 2 angle flanges with tension bands to 80 ° C.

## Z13 Inspection hatch

For the inspection of the inside fan casing after installation.

## Z18 Flange - steel

Powder coated in RAL 7015. Supplied loose.

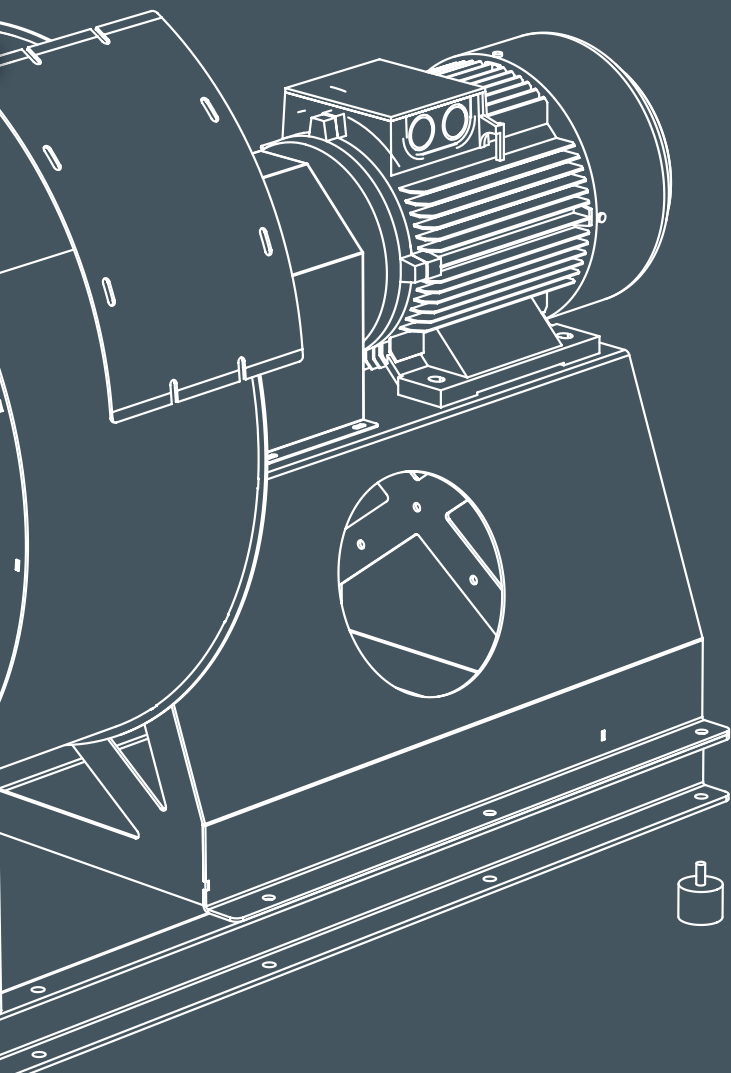


Z63

Z81

Z45

Z19



Z16

**Z63 Transition piece**

Transition piece from round to square. Connection dimensions angular adapted to the pressure side, connection dimensions round adapted to suction side. Steel, powder coated in RAL 7015. Supplied loose.

**Z81 Flexible sleeve, square**

For the prevention of impact sound transmission between fan and duct system, cuff made of PVC with fabric reinforcement. Incl. 2 frames for mounting. Up to 80 °C.

**Z45 Flange**

Steel, powder coated in RAL 7015. Supplied loose.

**Z19 Steel frame**

Frame. Steel, powder coated in RAL 7015. Supplied loose.

**Z16 Rubber anti vibration mounts**

Vibration dampers for internal pressure loading. For vibration and structure-borne noise insulating the fan is mounted on horizontal surfaces. Selection according to fan weight, about 55 shore A. Optional spring shock absorbers (on request) Supplied loose. Amount depends on fan.

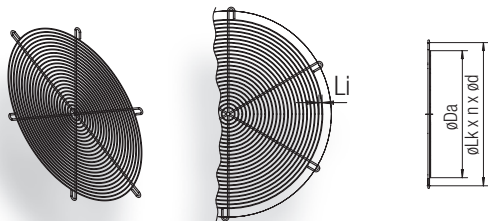
**Z89 Condensate drain**

To drain the condensate that may be incurred in the fan.

# ACCESSORIES for centrifugal fans, HREK

## Z05

Protection guard



Contact protection according to DIN EN 294 Steel, powder coated RAL7015. Only required for free suction side installation situation. Supplied loose.

Order no.	ø DA	Li	øLk x n x ød	Weight	
					ca. kg
B101466	134	8	180 x 4 x 9.5		0.1
B101457	154	8	204 x 4 x 9.5		0.2
B101458	174	8	219 x 4 x 9.5		0.2
B101459	194	8	233 x 4 x 9.5		0.2
B151080	254	8	286 x 4 x 9.5		0.3
B151078	274	8	332 x 4 x 11.5		0.3
B151076	314	8	356 x 6 x 11.5		0.4
B151074	354	8	395 x 6 x 11.5		0.5
B151061	394	8	438 x 6 x 11.5		0.7
B151081	454	8	486 x 6 x 11.5		0.8
B151068	494	8	541 x 6 x 11.5		1.0
B151066	554	8	605 x 8 x 14		1.3
B151088	634	8	674 x 8 x 14		1.6
B151072	709	9,5	755 x 8 x 14		2.1
B151092	784	9,5	841 x 8 x 14		5.1
B190582	862	21	945 x 8 x 14		3.3
B151090	962	21	1045 x 8 x 14		4.0
B151089	1080	21	1175 x 10 x 14		5.3
B151082	1180	21	1311 x 10 x 14		6.3

## Z10

Flexible sleeve, round

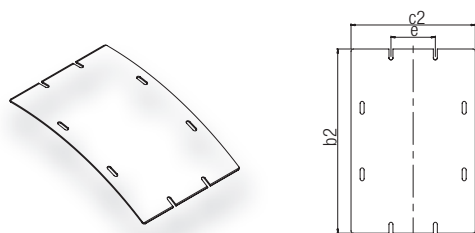


For the prevention of impact sound transmission between fan and duct system, cuff made of PVC with fabric reinforcement, including 2 angle flanges with tension bands to 80 °C.

Order no.	ø DA	ø DA	L	øLk x n x ød	Weight	
						ca. kg
B101467	162	210	100	180 x 8 x 9.5		0.8
B101460	182	234	100	204 x 8 x 9.5		0.9
B101461	202	249	100	219 x 8 x 9.5		1.0
B101462	227	263	100	233 x 8 x 9.5		1.0
B140894	252	308	120	286 x 8 x 9.5		2.0
B141027	283	354	120	332 x 8 x 11.5		2.0
B141028	317	381	120	356 x 12 x 11.5		3.0
B141029	357	415	120	395 x 12 x 11.5		3.0
B141030	402	471	120	438 x 12 x 11.5		4.0
B141031	452	519	120	486 x 12 x 11.5		6.0
B141032	502	565	170	541 x 12 x 11.5		6.0
B141033	562	636	170	605 x 16 x 14		8.0
B141035	632	719	170	674 x 16 x 14		10.0
B141036	713	799	220	755 x 16 x 14		12.0
B141037	804	897	220	841 x 16 x 14		19.0
B141038	905	997	220	945 x 16 x 14		20.0
B141054	1005	1097	320	1045 x 16 x 14		21.0
B141040	1128	1216	320	1175 x 20 x 14		23.0
B141026	1258	1360	320	1311 x 20 x 14		27.0

## Z13

Inspection hatch



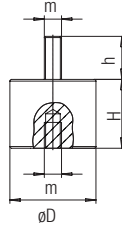
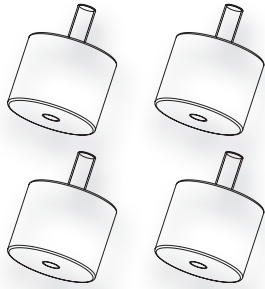
For the inspection of the inside fan casing after installation.

Order no.	b2	e2	e	Weight	
					ca. kg
B240514	260	110	50		0.4
B240509	260	160	80		1.0
B240512	415	280	100		2.7

# ACCESSORIES for centrifugal fans, HREK

## Z16

Rubber anti vibration mounts

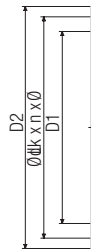
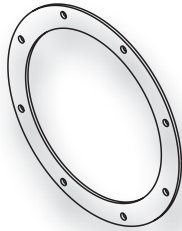


Anti-vibration mounts for compression load. For vibration free installation of the fan on horizontal surfaces. Selection according to fan weight, approximately 55 shore A. Optional spring anti-vibration mounts (on request). Delivered loose. Amount depends on fan.

Typ	Order no.	ø D	H	h	m	max. Fan weight ca. [kg]
1	B149894	25	15	18	M6	52
2	B149877	30	20	18	M8	74
4	B149380	40	30	23	M8	118
5	B148059	50	40	25	M10	180
6	B149928	60	50	38	M12	270
8	B149937	75	55	38	M12	440
9	B149948	100	60	42	M16	920

## Z18

Flange - steel



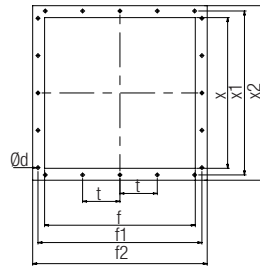
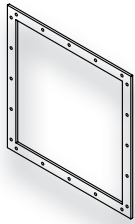
Powder coated in RAL 7015. Supplied loose.

Order no.	ø D1	ø D2	øLk x n x ød	Weight ca. kg
B101468	162	210	180 x 8 x 9.5	0.4
B101463	182	234	204 x 8 x 9.5	0.5
B101464	202	249	219 x 8 x 9.5	0.6
B101465	227	263	233 x 8 x 9.5	0.7
B101441	258	308	286 x 8 x 9.5	0.8
B101442	288	354	332 x 12 x 11.5	0.9
B101443	323	381	356 x 12 x 11.5	1.0
B101444	363	415	395 x 12 x 11.5	1.0
B101445	408	471	438 x 12 x 11.5	2.0
B101446	458	519	486 x 12 x 11.5	2.0
B101447	508	565	541 x 12 x 11.5	2.0
B101448	568	636	605 x 16 x 14	2.0
B101449	638	719	674 x 16 x 14	3.0
B101450	719	799	755 x 16 x 14	4.0
B101451	810	897	841 x 16 x 14	5.0
B101452	910	997	945 x 16 x 14	6.0
B101453	1013	1097	1045 x 16 x 14	6.0
B101454	1132	1216	1175 x 20 x 14	7.0
B101455	1266	1360	1311 x 20 x 14	8.0
B101456	1418	1520	1469 x 24 x 14	10.0

# ACCESSORIES for centrifugal fans, HREK

## Z19

Flange - steel



Powder coated in RAL 7015. Supplied loose.

Order no.	f	f1	f2	x	x1	x2	d	t	ca. [kg]
B101200	131	175	212	131	175	212	11.5		1
B101201	146	190	226	146	190	226	11.5		1
B101202	164	208	244	164	208	244	11.5		1
B101203	183	227	263	183	227	263	11.5	100	2
B101204	205	249	285	205	249	285	11.5	100	2
B101205	229	273	309	229	273	309	11.5	100	3
B101206	256	300	336	256	300	336	11.5	100	3
B101207	288	332	368	288	332	368	11.5	100	4
B101208	322	366	402	322	366	402	11.5	100	3
B101209	361	405	441	361	405	441	11.5	100	4
B101210	404	448	484	404	448	484	11.5	100	5
B101211	453	497	533	453	497	533	11.5	100	6
B101212	164	208	244	131	175	221	11.5		1
B101213	183	227	283	146	190	226	11.5	100	2
B101214	205	249	285	164	208	244	11.5	100	2
B101215	229	273	309	183	227	263	11.5	100	3
B101216	256	300	336	205	249	285	11.5	100	3
B101217	288	332	368	229	273	309	11.5	100	3
B101218	322	366	402	256	300	336	11.5	100	3
B101219	361	405	441	288	332	368	11.5	100	4
B101220	404	448	484	322	366	402	11.5	100	5
B101221	453	497	533	361	405	401	11.5	100	6
B101222	507	551	587	404	448	484	11.5	100	7
B101223	569	613	669	453	497	553	11.5	100	9
B101224	205	249	285	131	175	211	11.5	100	2
B101225	229	273	309	146	190	226	11.5	100	3
B101226	256	300	336	164	208	244	11.5	100	3
B101227	288	332	368	183	227	263	11.5	100	3
B101228	322	366	402	205	249	285	11.5	100	3
B101229	361	405	441	229	273	309	11.5	100	4
B101230	404	448	484	256	300	336	11.5	100	5
B101231	453	497	533	288	332	368	11.5	100	6
B101232	507	551	587	322	366	402	11.5	100	7
B101233	569	629	669	361	421	461	11.5	100	9
B101234	638	698	738	404	464	504	11.5	100	11
B101235	715	775	815	453	513	553	11.5	100	14
B101236	256	300	336	131	176	211	11.5	100	3
B101237	288	332	368	146	190	226	11.5	100	3
B101238	322	366	402	164	280	244	11.5	100	3
B101239	361	405	441	183	227	263	11.5	100	4
B101240	404	448	484	205	249	285	11.5	100	5
B101241	453	497	533	229	273	353	11.5	100	6
B101242	507	551	587	256	300	336	11.5	100	7
B101243	569	629	669	288	348	669	14	100	9
B101244	638	698	738	322	382	422	14	100	11
B101245	715	775	815	361	421	461	14	100	14
B101246	801	861	901	404	464	504	14	100	17

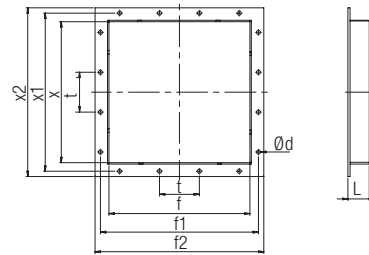
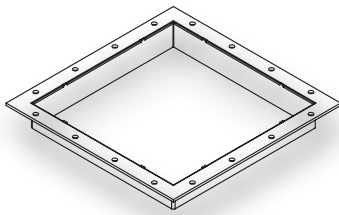
B101247	898	968	1018	453	523	573	14	125	22
B101248	801	861	901	507	567	607	14	100	17
B101249	898	968	1018	569	639	689	14	125	22
B101250	638	698	738	507	567	607	14	100	11
B101251	715	775	815	569	629	669	14	100	14
B101252	801	861	901	638	698	738	14	100	17
B101253	898	968	1018	715	785	835	14	125	22
B101254	507	551	587	507	551	587	11.5	100	7
B101255	569	629	669	569	629	669	14	100	9
B101256	638	698	738	638	698	738	14	100	11
B101257	715	775	815	715	775	815	14	100	14
B101258	801	861	901	801	861	901	14	100	17
B101259	898	968	1018	898	968	1018	14	125	22
B101260	1007	1077	1207	1007	1077	1207	14	125	27
B101261	357	391	417	282	316	342	11.5	125	4
B101262	402	436	462	317	351	377	11.5	125	5
B101263	452	496	532	357	401	437	14	125	6
B101264	502	546	582	402	446	482	14	125	7
B101265	562	606	642	452	496	532	14	125	9
B101266	632	676	712	502	546	582	14	125	11
B101267	712	756	802	562	606	652	14	125	13
B101268	802	846	902	632	676	732	14	125	17
B101269	902	946	1002	712	756	812	14	125	21
B101270	1002	1062	1102	802	862	1002	14	125	27
B101271	1122	1182	1222	902	962	1062	14	125	33
B101272	1242	1312	1342	1002	1062	1102	14	125	41



# ACCESSORIES for centrifugal fans, HREK

## Z45

Steel frame



Steel, powder coated in RAL 7015. Supplied loose.

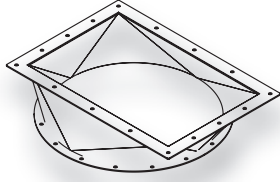
Order no.	f	f1	f2	x	x1	x2	d	t	L	ca. [kg]
B101345	131	175	212	131	175	212	11.5		30	1
B101346	146	190	226	146	190	226	11.5		30	1
B101347	164	208	244	164	208	244	11.5		40	1
B101348	183	227	263	183	227	263	11.5	100	40	1
B101349	205	249	285	205	249	285	11.5	100	40	1
B101350	229	273	309	229	273	309	11.5	100	50	2
B101351	256	300	336	256	300	336	11.5	100	50	2
B101352	288	332	368	288	332	368	11.5	100	50	3
B101353	322	366	402	322	366	402	11.5	100	50	3
B101354	361	405	441	361	405	441	11.5	100	60	4
B101355	404	448	484	404	448	484	11.5	100	70	5
B101356	453	497	533	453	497	533	11.5	100	70	6
B101357	164	208	244	131	175	221	11.5		40	1
B101358	183	227	263	146	190	226	11.5	100	40	1
B101359	205	249	285	164	208	244	11.5	100	50	1
B101360	229	273	309	183	227	263	11.5	100	60	2
B101361	256	300	336	205	249	285	11.5	100	60	2
B101362	288	332	368	229	273	309	11.5	100	60	3
B101363	322	366	402	256	300	336	11.5	100	70	3
B101364	361	405	441	288	332	368	11.5	100	80	4
B101365	404	448	484	322	366	402	11.5	100	100	5
B101366	453	497	533	361	405	441	11.5	100	100	6
B101367	507	551	587	404	448	484	11.5	100	125	8
B101368	569	613	669	453	497	533	11.5	100	125	10
B101369	205	249	285	131	175	211	11.5	100	40	1
B101370	229	273	309	146	190	226	11.5	100	40	2
B101371	256	300	336	16	208	244	11.5	100	60	2
B101372	288	332	368	183	227	263	11.5	100	60	3
B101373	322	366	402	205	249	285	11.5	100	60	3
B101374	361	405	441	229	273	309	11.5	100	60	4
B101375	404	448	484	256	300	336	11.5	100	70	5
B101376	453	497	533	288	332	368	11.5	100	80	6
B101377	507	551	587	322	366	402	11.5	100	100	8
B101378	569	629	669	361	421	461	11.5	100	100	10
B101379	638	698	738	404	464	504	11.5	100	100	13
B101380	715	775	815	453	513	553	11.5	100	125	16
B101381	256	300	336	131	176	211	11.5	100	30	2
B101382	288	332	368	146	190	226	11.5	100	40	3
B101383	322	366	402	164	280	244	11.5	100	40	3
B101384	361	405	441	183	227	263	11.5	100	50	4
B101385	404	448	484	205	249	285	11.5	100	50	5
B101386	453	497	533	229	273	353	11.5	100	60	6
B101387	507	551	587	256	300	336	11.5	100	70	8
B101388	569	629	669	288	348	669	14	100	80	10
B101389	638	698	738	322	382	422	14	100	80	13
B101390	715	775	815	361	421	461	14	100	80	16
B101391	801	861	901	404	464	504	14	100	100	20

B101392	898	968	1018	453	523	573	14	125	100	25
B101393	256	300	336	164	208	244	11.5	100	40	2
B101394	288	332	368	183	227	263	11.5	100	40	3
B101395	322	366	402	205	249	285	11.5	100	50	3
B101396	404	448	484	256	300	336	11.5	100	60	5
B101397	453	497	533	288	332	368	11.5	100	70	6
B101398	507	551	587	322	366	402	11.5	100	80	8
B101399	715	775	815	453	513	553	14	100	100	16
B101400	801	861	901	507	567	607	14	100	125	20
B101402	256	300	336	205	249	285	11.5	100	40	2
B101403	288	332	368	229	273	309	11.5	100	40	3
B101404	322	366	402	256	300	336	11.5	100	50	3
B101405	361	405	441	288	332	368	11.5	100	60	4
B101406	404	448	484	322	366	402	11.5	100	60	5
B101407	453	497	533	361	405	441	11.5	100	70	6
B101408	507	551	587	404	448	484	11.5	100	80	8
B101409	569	629	669	453	513	553	14	100	80	10
B101410	638	698	738	507	567	607	14	100	100	13
B101411	715	775	815	569	629	669	14	100	100	16
B101412	801	861	901	638	698	738	14	100	125	20
B101413	898	968	1018	715	785	835	14	125	125	25
B101414	288	332	368	288	332	368	11.5	100	40	3
B101415	404	448	484	404	448	484	11.5	100	60	5
B101416	507	551	587	507	551	587	11.5	100	80	8
B101417	569	629	669	569	629	669	14	100	100	10
B101418	638	698	738	638	698	738	14	100	100	13
B101419	715	775	815	715	775	815	14	100	100	16
B101420	801	861	901	801	861	901	14	100	125	20
B101421	898	968	1018	898	968	1018	14	125	125	25
B101422	322	366	402	322	366	402	11.5	100	40	3
B101423	361	405	441	361	405	441	11.5	100	50	4
B101424	453	497	533	453	497	533	11.5	100	60	6
B101425	507	551	587	507	551	587	11.5	100	70	8
B101426	569	629	669	569	629	669	11.5	100	80	10
B101428	357	391	417	282	316	342	11.5	125	40	4
B101429	402	436	462	317	351	377	11.5	125	40	5
B101430	452	496	532	357	401	437	14	125	60	6
B101431	502	546	582	402	446	482	14	125	60	8
B101432	562	606	642	452	496	532	14	125	60	10
B101433	632	676	712	502	546	582	14	125	70	12
B101434	712	756	802	562	606	652	14	125	80	15
B101435	802	846	902	632	676	732	14	125	100	19
B101436	902	946	1002	712	756	812	14	125	100	24
B101437	1002	1062	1102	802	862	1002	14	125	125	30
B101438	1122	1182	1222	902	962	1062	14	125	125	38
B101439	1242	1312	1342	1002	1062	1102	14	125	125	47
B256818	1007	1077	1207	1007	1077	1207	14	125	125	31

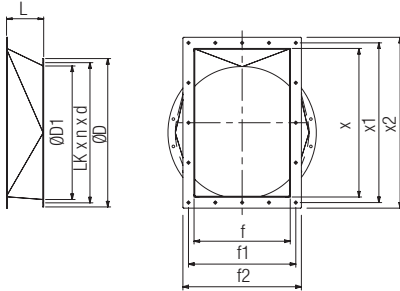
# ACCESSORIES for centrifugal fans, HREK

## Z63

Transition piece



Transition piece from round to square.  
Connection dimensions angular adapted to the pressure side, connection dimensions round adapted to suction side. Steel, powder coated in RAL 7015. Supplied loose.



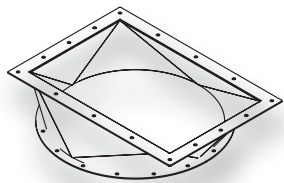
Order no.	ØD	ØD1	f	f1	f2	x	x1	x2	L	LK x n x d	ca. [kg]
B101470	234	174	131	175	212	131	175	212	75	204 x 4 x 8.5	1
B101471	250	199	146	190	226	146	190	226	84	219 x 4 x 8.5	2
B101472	255	211	164	208	244	164	208	244	94	233 x 6 x 8.5	2
B101473	308	258	183	227	263	183	227	263	106	258 x 6 x 8.5	3
B101474	354	288	205	249	285	205	249	285	119	286 x 6 x 8.5	3
B101475	381	323	229	273	309	229	273	309	135	356 x 12 x 8.5	4
B101476	415	363	256	300	336	256	300	336	150	395 x 12 x 8.5	5
B101477	471	408	288	332	368	288	332	368	168	438 x 12 x 8.5	6
B101478	519	458	322	366	402	322	366	402	188	486 x 12 x 8.5	8
B101479	565	508	361	405	441	361	405	441	210	541 x 12 x 8.5	10
B101480	636	568	404	448	484	404	448	484	236	605 x 16 x 8.5	12
B101481	689	608	453	497	533	453	497	533	266	674 x 16 x 8.5	14
B101482	250	199	164	208	244	131	175	221	84	219 x 4 x 8.5	2
B101483	255	211	183	227	283	146	190	226	94	233 x 8 x 8.5	2
B101484	308	258	205	249	285	164	208	244	106	286 x 6 x 8.5	3
B101485	354	288	229	273	309	183	227	263	119	332 x 8 x 8.5	3
B101486	381	323	256	300	336	205	249	285	135	356 x 12 x 8.5	4
B101487	415	363	288	332	368	229	273	309	150	395 x 12 x 8.5	5
B101488	471	408	322	366	402	256	300	336	168	438 x 12 x 8.5	6
B101489	519	458	361	405	441	288	332	368	188	486 x 12 x 8.5	8
B101490	565	508	404	448	484	322	366	402	210	541 x 12 x 8.5	10
B101491	636	568	453	497	533	361	405	401	236	605 x 16 x 8.5	12
B101492	689	608	507	551	587	404	448	484	266	674 x 16 x 8.5	14
B101493	719	638	569	613	669	453	497	553	300	755 x 16 x 8.5	15
B101494	255	211	205	249	285	131	175	211	94	233 x 6 x 8.5	2
B101495	308	258	229	273	309	146	190	226	106	286 x 8 x 8.5	3
B101496	354	288	256	300	336	16	208	244	119	332 x 8 x 8.5	3
B101497	381	323	288	332	368	183	227	263	135	356 x 12 x 8.5	4
B101498	415	363	322	366	402	205	249	285	150	395 x 12 x 8.5	5
B101499	471	408	361	405	441	229	273	309	168	438 x 12 x 8.5	6
B101500	519	458	404	448	484	256	300	336	188	486 x 12 x 8.5	8
B101501	565	508	453	497	533	288	332	368	210	541 x 12 x 8.5	10
B101502	636	568	507	551	587	322	366	402	236	605 x 16 x 8.5	12
B101503	689	608	569	629	669	361	421	461	266	674 x 16 x 8.5	14
B101504	719	638	638	698	738	404	464	504	300	755 x 16 x 8.5	15
B101505	799	719	715	775	815	453	513	553	338	841 x 16 x 10.5	19
B101506	308	258	256	300	336	131	176	211	106	286 x 8 x 8.5	3
B101507	354	288	288	332	368	146	190	226	116	322 x 8 x 8.5	3
B101508	381	323	322	366	402	164	280	244	135	356 x 12 x 8.5	4
B101509	415	363	361	405	441	183	227	263	150	395 x 12 x 8.5	5
B101510	471	408	404	448	484	205	249	285	168	438 x 12 x 8.5	6
B101511	519	458	453	497	533	229	273	353	188	486 x 12 x 8.5	8
B101512	565	508	507	551	587	256	300	336	210	541 x 12 x 8.5	10
B101513	636	568	569	629	669	288	348	669	236	605 x 16 x 8.5	12
B101514	719	608	638	698	738	322	382	422	266	674 x 16 x 8.5	15
B101515	799	638	715	775	815	361	421	461	300	755 x 16 x 8.5	17
B101516	879	719	801	861	901	404	464	504	338	841 x 16 x 10.5	21
B101517	997	810	898	968	1018	453	523	573	375	945 x 16 x 10.5	27
B101518	354	288	256	300	336	164	208	244	119	332 x 8 x 8.5	3
B101519	381	323	288	332	368	183	227	263	135	356 x 12 x 8.5	4
B101520	415	363	322	366	402	205	249	285	150	395 x 12 x 8.5	5
B101521	471	408	361	405	441	229	273	309	168	438 x 12 x 8.5	6
B101522	519	458	404	448	484	256	300	336	188	486 x 12 x 8.5	8
B101523	565	508	453	497	533	288	332	368	210	541 x 12 x 8.5	10
B101524	636	568	507	551	587	322	366	402	236	605 x 16 x 8.5	12
B101525	719	608	569	629	669	361	421	461	266	674 x 16 x 8.5	15
B101526	799	638	368	698	738	404	464	504	300	755 x 16 x 8.5	17
B101527	897	719	715	775	815	453	513	553	338	841 x 16 x 10.5	21
B101528	997	810	801	861	901	507	567	607	375	945 x 16 x 10.5	27
B101529	1097	910	898	968	1018	569	639	689	420	1045 x 16 x 10.5	33
B101530	381	323	256	300	336	205	249	285	135	356 x 12 x 8.5	4
B101531	415	363	288	332	368	229	273	309	150	395 x 12 x 8.5	5

Continuation next side

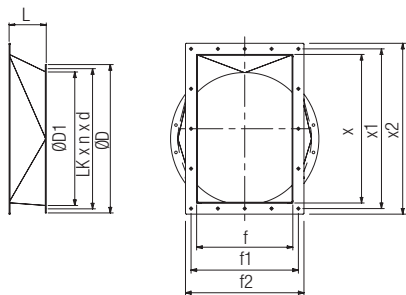
# ACCESSORIES for centrifugal fans, HREK

## Z63

Transition piece



Transition piece from round to square.  
Connection dimensions angular adapted to the pressure side, connection dimensions round adapted to suction side. Steel, powder coated in RAL 7015. Supplied loose.

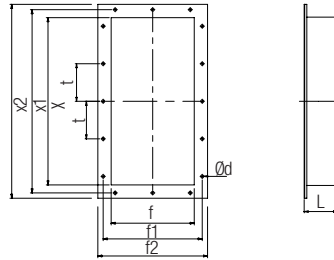
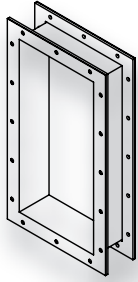


Order no.	ØD	ØD1	f	f1	f2	x	x1	x2	L	LK x n x d	ca. [kg]
B101532	471	408	322	366	402	256	300	336	168	438 x 12 x 8.5	6
B101533	519	458	361	405	441	288	332	368	188	486 x 12 x 8.5	8
B101534	565	508	404	448	484	322	366	402	210	541 x 12 x 8.5	10
B101535	363	568	453	497	533	361	405	441	236	605 x 16 x 8.5	7
B101536	719	608	507	551	587	404	448	484	266	674 x 16 x 8.5	15
B101537	799	638	569	629	669	453	513	553	300	755 x 16 x 8.5	17
B101538	897	719	638	698	738	507	567	607	338	841 x 16 x 10.5	21
B101539	997	810	715	775	815	569	629	669	375	945 x 16 x 10.5	27
B101540	1097	910	801	861	901	638	698	738	420	1045 x 16 x 10.5	33
B101541	1216	1013	898	968	1018	715	785	835	473	1175 x 16 x 10.5	41
B101542	415	363	256	300	336	256	300	336	150	395 x 12 x 8.5	5
B101543	471	408	288	332	368	288	332	368	168	438 x 12 x 8.5	6
B101544	519	458	322	366	402	322	366	402	188	486 x 12 x 8.5	8
B101545	565	508	361	405	441	361	405	441	210	541 x 12 x 8.5	10
B101546	636	568	404	448	484	404	448	484	236	605 x 16 x 8.5	12
B101547	719	608	453	497	533	453	497	533	266	674 x 16 x 8.5	15
B101548	799	638	507	551	587	507	551	587	300	755 x 16 x 8.5	17
B101549	897	719	569	629	669	569	629	669	388	841 x 16 x 10.5	21
B101550	997	810	638	698	738	638	698	738	375	945 x 16 x 10.5	27
B101551	1097	910	715	775	815	715	775	815	420	1045 x 16 x 10.5	33
B101552	1216	1013	801	861	901	801	861	901	473	1175 x 20 x 10.5	41
B101553	1360	1132	898	968	1018	898	968	1018	533	1311 x 20 x 10.5	51
B101554	471	408	288	332	368	288	332	368	168	438 x 12 x 8.5	6
B101555	519	458	322	366	402	322	366	402	188	486 x 12 x 8.5	8
B101556	656	508	361	405	441	361	405	441	210	541 x 12 x 8.5	11
B101557	636	568	404	448	484	404	448	484	236	605 x 12 x 8.5	12
B101558	719	608	453	497	533	453	497	533	266	674 x 16 x 8.5	15
B101559	799	638	507	551	587	507	551	587	300	755 x 16 x 8.5	17
B101560	897	719	569	629	669	569	629	669	338	841 x 16 x 10.5	21
B101561	997	810	638	698	738	638	698	738	375	945 x 16 x 10.5	27
B101562	1097	910	715	775	815	715	775	815	420	1045 x 16 x 10.5	33
B101563	1216	1013	801	861	901	801	861	901	473	1175 x 20 x 10.5	41
B101564	1360	1132	898	968	1018	898	968	1018	533	1311 x 20 x 10.5	51
B101565	1520	1266	1007	1077	1207	1007	1077	1207	600	1469 x 24 x 10.5	64
B101566	471	408	357	391	417	282	316	342	168	438 x 12 x 8.5	6
B101567	519	458	402	436	462	317	351	377	188	486 x 12 x 8.5	8
B101568	565	508	452	496	532	257	401	337	210	541 x 12 x 8.5	10
B101569	636	568	502	546	582	402	446	482	266	605 x 16 x 8.5	12
B101570	689	608	562	606	642	452	496	532	300	674 x 16 x 8.5	14
B101571	719	638	632	676	712	502	546	582	338	755 x 16 x 8.5	15
B101572	799	719	712	756	802	562	606	652	375	981 x 16 x 10.5	19
B101573	897	810	802	846	902	632	676	732	420	945 x 16 x 10.5	24
B101574	997	910	902	946	1002	712	756	812	743	1045 x 20 x 10.5	30
B101575	1097	1013	1002	1062	1102	802	862	9002	533	1175 x 20 x 10.5	37
B101576	1216	1132	1122	1182	1222	902	962	1062	600	1311 x 20 x 10.5	46
B101577	1360	1266	1242	1312	1342	1002	1062	1102	675	1469 x 24 x 10.5	57

# ACCESSORIES for centrifugal fans, HREK

## Z81

Flexible sleeve, square



For the prevention of impact sound transmission between fan and duct system, cuff made of PVC with fabric reinforcement.

Incl. 2 frames for mounting. Up to 80 ° C.

Order no.	f	f1	f2	x	x1	x2	d	t	L	ca. [kg]
B101273	131	175	212	131	175	212	11.5		150	6
B101274	146	190	226	146	190	226	11.5		150	8
B101275	164	208	244	164	208	244	11.5		150	10
B101276	183	227	263	183	227	263	11.5	100	150	7
B101277	205	249	285	205	249	285	11.5	100	150	15
B101278	229	273	309	229	273	309	11.5	100	150	17
B101279	256	300	336	256	300	336	11.5	100	150	21
B101280	288	332	368	288	332	368	11.5	100	150	27
B101281	322	366	402	322	366	402	11.5	100	150	33
B101282	361	405	441	361	405	441	11.5	100	150	41
B101283	404	448	484	404	448	484	11.5	100	150	5
B101284	453	497	533	453	497	533	11.5	100	150	6
B101285	164	208	244	131	175	221	11.5		150	8
B101286	183	227	263	146	190	226	11.5	100	150	10
B101287	205	249	285	164	208	244	11.5	100	150	12
B101288	229	273	309	183	227	263	11.5	100	150	15
B101289	256	300	336	205	249	285	11.5	100	150	17
B101290	288	332	368	229	273	309	11.5	100	150	21
B101291	322	366	402	256	300	336	11.5	100	150	27
B101292	361	405	441	288	332	368	11.5	100	150	33
B101293	404	448	484	322	366	402	11.5	100	150	41
B101294	453	497	533	361	405	441	11.5	100	150	51
B101295	507	551	587	404	448	484	11.5	100	150	6
B101296	569	613	669	453	497	553	11.5	100	150	8
B101297	205	249	285	131	175	211	11.5	100	150	11
B101298	229	273	309	146	190	226	11.5	100	150	12
B101299	256	300	336	16	208	244	11.5	100	150	15
B101300	288	332	368	183	227	263	11.5	100	150	17
B101301	322	366	402	205	249	285	11.5	100	150	21
B101302	361	405	441	229	273	309	11.5	100	150	27
B101303	404	448	484	256	300	336	11.5	100	150	33
B101304	453	497	533	288	332	368	11.5	100	150	41
B101305	507	551	587	322	366	402	11.5	100	150	51
B101306	569	629	669	361	421	461	11.5	100	150	64
B101307	638	698	738	404	464	504	11.5	100	150	6
B101308	256	300	336	131	176	211	11.5	100	150	8
B101309	288	332	368	146	190	226	11.5	100	150	10
B101310	322	366	402	164	280	244	11.5	100	150	12
B101311	361	405	441	183	227	263	11.5	100	150	14
B101312	404	448	484	205	249	285	11.5	100	150	15
B101313	453	497	533	229	273	353	11.5	100	150	19
B101314	507	551	587	256	300	336	11.5	100	150	24
B101315	569	629	669	288	348	669	14	100	150	30

B101316	638	698	738	322	382	422	14	100	150	37
B101317	715	775	815	361	421	461	14	100	150	46
B101318	801	861	901	404	464	504	14	100	150	57
B101319	898	968	1018	453	523	573	14	125	150	
B101320	801	861	901	507	567	607	14	100	150	
B101321	898	968	1018	569	639	689	14	125	150	
B101322	638	698	738	507	567	607	14	100	150	
B101323	715	775	815	569	629	669	14	100	150	
B101324	801	861	901	638	698	738	14	100	150	
B101325	898	968	1018	715	785	835	14	125	150	
B101326	507	551	587	507	551	587	11.5	100	100	
B101327	569	629	669	569	629	669	14	100	150	
B101328	638	698	738	638	698	738	14	100	150	
B101329	715	775	815	715	775	815	14	100	150	
B101330	801	861	901	801	861	901	14	100	150	
B101331	898	968	1018	898	968	1018	14	125	150	
B101333	357	391	417	282	316	342	11.5	125	100	
B101334	402	436	462	317	351	377	11.5	125	100	
B101335	452	496	532	357	401	437	14	125	100	
B101336	502	546	582	402	446	482	14	125	100	
B101337	562	606	642	452	496	532	14	125	100	
B101338	632	676	712	502	546	582	14	125	150	
B101339	712	756	802	562	606	652	14	125	150	
B101340	802	846	902	632	676	732	14	125	150	
B101341	902	946	1002	712	756	812	14	125	150	
B101342	1002	1062	1102	802	862	1002	14	125	150	
B101343	1122	1182	1222	902	962	1062	14	125	150	
B101344	1242	1312	1342	1002	1062	1102	14	125	150	
B101440	715	775	815	453	513	553	11.5	100	150	
B256840	1007	1077	1207	1007	1077	1207	14	125	150	

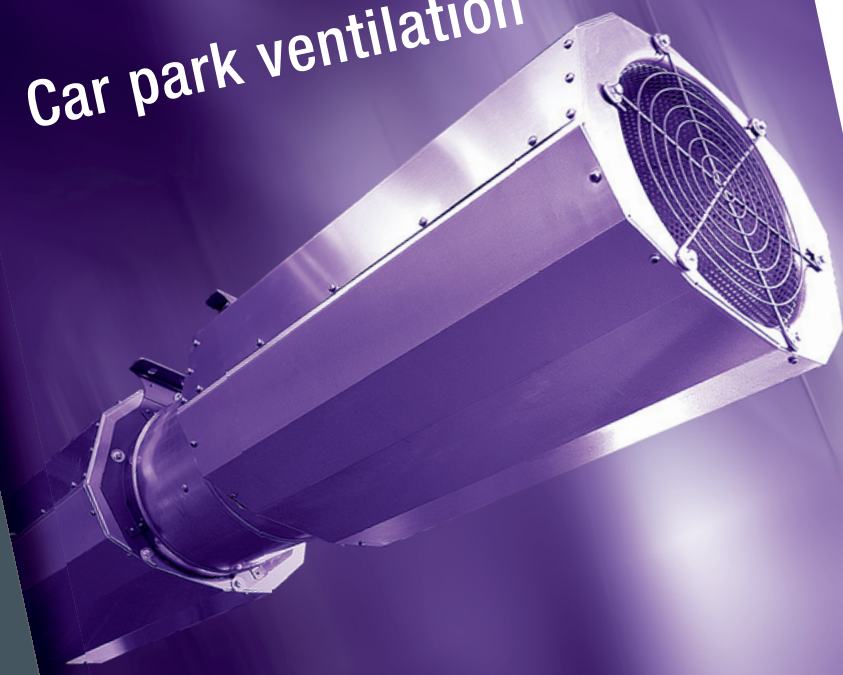
## Z89

Condensate drain

To drain the condensate that may be incurred in the fan.

POLLRICHDLK®  
FAN FACTORIES

Car park ventilation



... you should get to know!

# CENTRIFUGAL FAN HREK

## 25-71 / 1600-3150

### Application:

The clutch driven heavy centrifugal fans of product group HREK (Megatec by Pollich DLK) are suitable for clean, dusty or aggressive media, in particular for industrial applications requiring high flow rates and high pressures.

### The main advantages:

- Aerodynamically optimized impellers
- Wide range of accessories
- High efficiency through wide product portfolio
- Robust design
- Design according to DIN24166, tolerance class 2
- Pressure and pressure shock resistant versions available

### Permissible flow temperature:

Maximum operating temperatures to 800 °C possible.

### Casing:

Spiral casing fully welded with direct suction side connection, or suction box or over free inlet cone. High impermeability to the environment through optional labyrinth seals. Special design for promotion of wearing substances, aggressive media or at high gas temperatures. Optional design in stainless steel.

### Impeller:

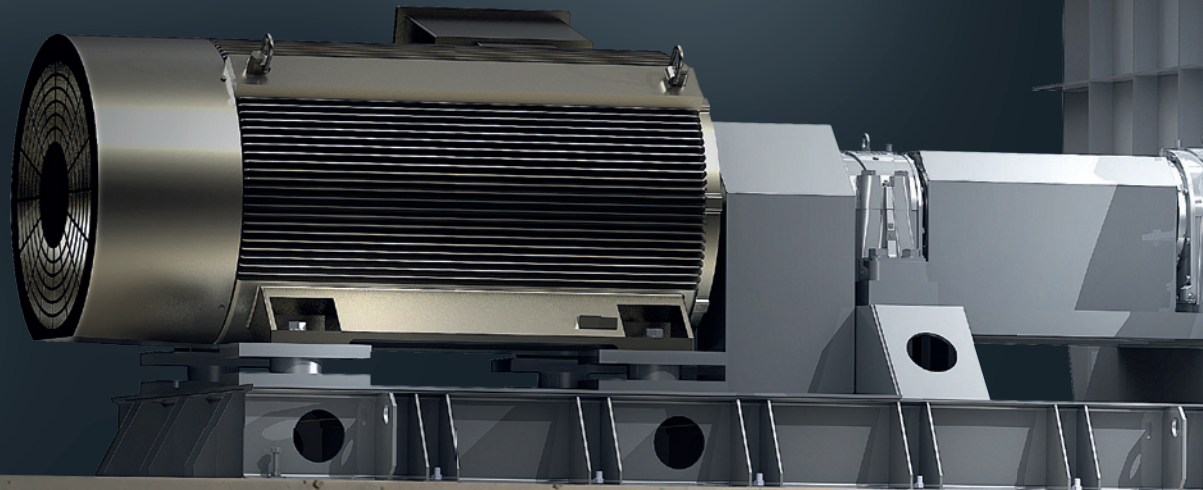
High performance radial impeller, single inlet, backward curved blades. Special designs for caking / wearing substances, aggressive media or at high gas temperatures. Optional design in high strength steel or stainless steel. Dynamically balanced to DIN ISO 1940-1, grade G 6.3, oscillations do not exceed 4 mm/s.

### Drive:

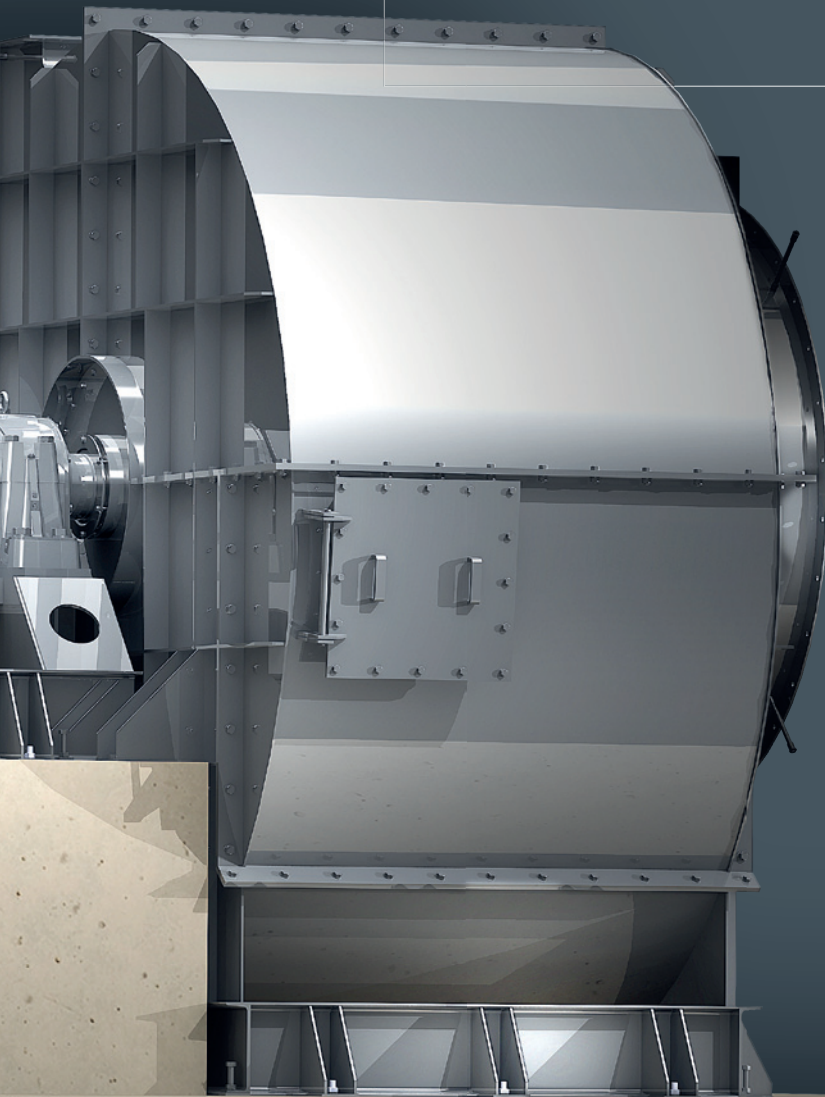
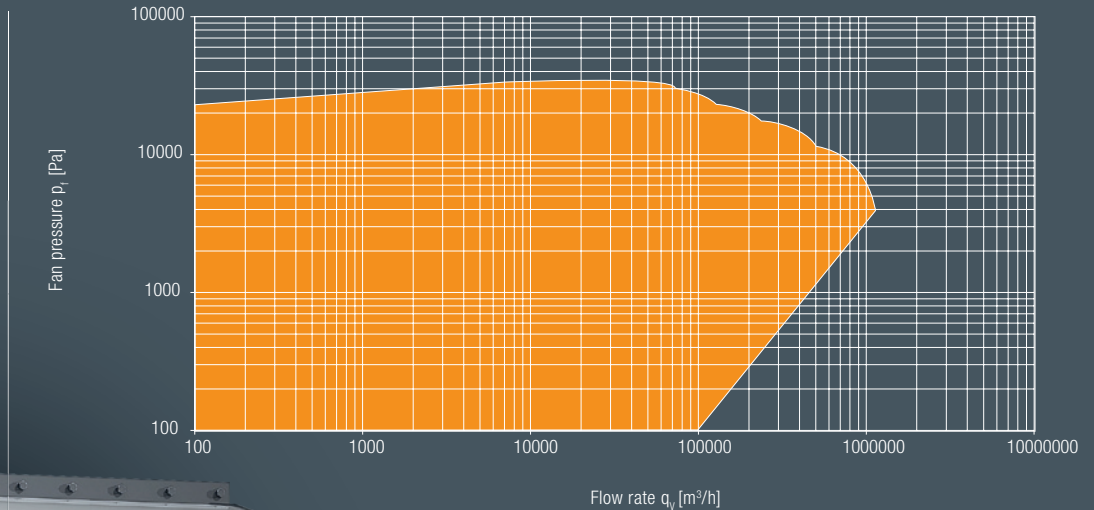
IEC standard motor mounted on motor mount out of the main stream. Standard protection IP 55, class F insulation (customer-specific motors on request). Also available for operation with frequency converter (FU). Impeller driven via coupling.

### Air performance curves :

Show the total pressure increase  $p_t$  as a function of the volume flow  $q_v$  for pressure-side duct connection. Power is measured at the suction chamber and ducted test rigs according to DIN 24163 and ISO 5801 for an air density of  $1.2 \text{ kg / m}^3$  and  $20 \text{ ° C}$ . For the operating data of



## Megatec by Pollrich DLK



our fans tolerances are in accordance with accuracy class 2 according to DIN 24166.

**Installation:**

In different casing positions (0°, 90°, 135°, 270° and 315°), right - and left-handed available. More casing positions on request. Casing positions according to EUROVENT.

**ATEX:**

All fans are also available under ATEX Directive.

**API:**

Design according API standard possible.

**Units:**

All dimensions in this catalogue are given in mm, weights in kg .

**Accessories:**

Accessories for various installation situations (l.e. Suction boxes, Vane Control etc.) on request.

**Tender Specifications:**

Please refer to the Download section of our website <http://www.pollrichdlk.com>

Subject to change.

# CENTRIFUGAL FAN **HRZK** 25-71 / 400-3150

## Application:

The clutch driven heavy centrifugal fans of product group HREK (Megatec by Pollrich DLK) are suitable for clean, dusty or aggressive media, in particular for industrial applications requiring high flow rates.

## The main advantages:

- Aerodynamically optimized impellers
- Wide range of accessories
- High efficiency through wide product portfolio
- Robust design
- Design according to DIN24166, tolerance class 2
- Pressure and pressure shock resistant versions available

## Permissible flow temperature:

Maximum operating temperatures to 800 °C possible.

## Casing:

Spiral casing fully welded with suction box connection or over free inlet cone.

High impermeability to the environment through optional labyrinth seals. Special design for promotion of wearing substances, aggressive media or at high gas temperatures. Optional design in stainless steel.

## Impeller:

High performance radial impeller, double inlet , backward curved blades.

Special designs for caking / wearing substances, aggressive media or at high gas temperatures.

Optional design in high strength steel or stainless steel.

Dynamically balanced to DIN ISO 1940-1, grade G 6.3, oscillations do not exceed 4 mm/s.

## Drive:

IEC standard motor mounted on motor mount out of the main stream.

Standard protection IP 55, class F insulation (customer-specific motors on request).

Also available for operation with frequency converter (FU). Impeller driven via coupling.

## Air performance curves:

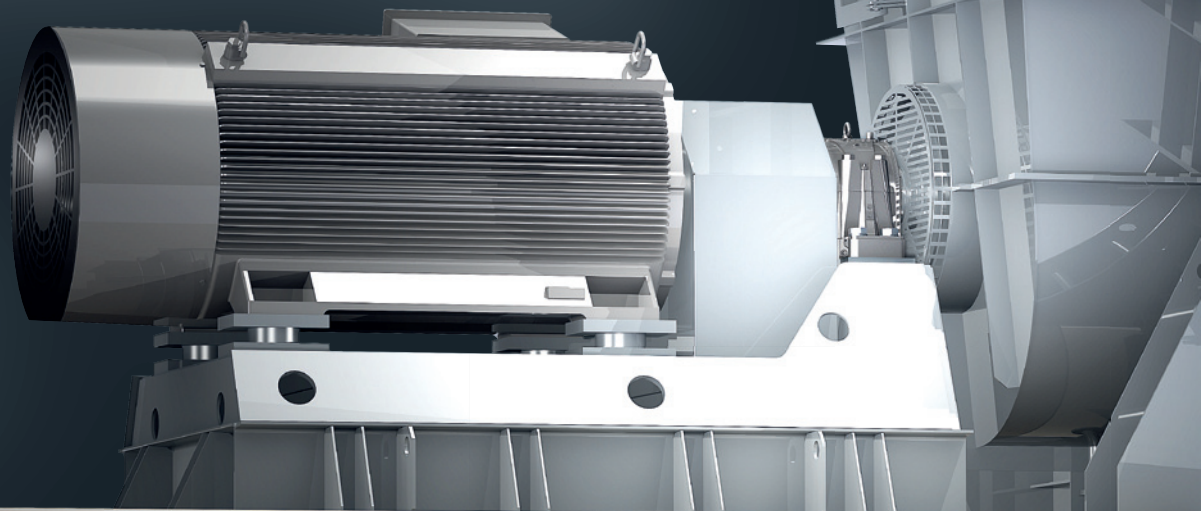
Show the total pressure increase  $p_t$  as a function of the volume flow  $q_v$  for pressure-side duct connection. Power is measured at the suction chamber and ducted test rigs according to DIN 24163 and ISO 5801 for an air density of 1.2 kg / m<sup>3</sup> and 20 °C. For the operating data of our fans tolerances are in accordance with accuracy class 2 according to DIN 24166.

## Installation:

In different casing positions (0°, 90°, 135°, 270° and 315°), right- and left-handed available.

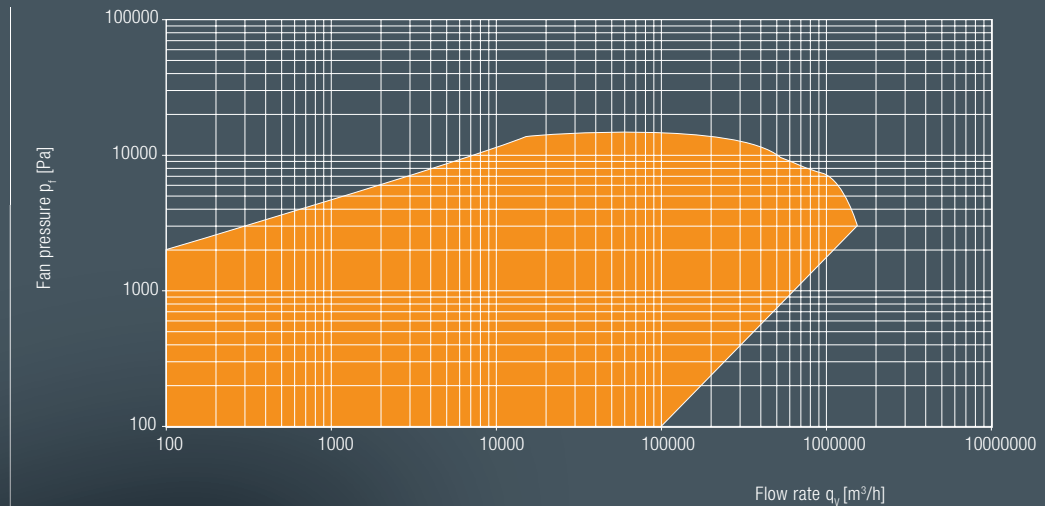
More casing positions on request.

Casing positions according to EUROVENT .





**Megatec** by PollrichDLK



**ATEX:**

All fans are also available under ATEX Directive.

**API:**

Design according API standard possible.

**Units:**

All dimensions in this catalogue are given in mm, weights in kg .

**Accessories:**

Accessories for various installation situations (I.e. Suction boxes, Vane Control etc.) on request.

**Tender Specifications:**

Please refer to the Download section of our website  
<http://www.pollrichdlk.com>

Subject to change.

# CENTRIFUGAL FAN HRER

## 25-71 / 400-2000

### Application:

The belt driven heavy centrifugal fans of product group HREK (Megatec by Pollrich DLK) are suitable for clean, dusty or aggressive media, in particular for industrial applications requiring high flow rates.

### The main advantages:

- Aerodynamically optimized impellers
- Wide range of accessories
- High efficiency through wide product portfolio
- Robust design
- Design according to DIN24166, tolerance class 2
- Pressure and pressure shock resistant versions available

### Permissible flow temperature:

Maximum operating temperatures to 800 °C possible.

### Casing:

Spiral casing fully welded with suction box connection or over free inlet cone. High impermeability to the environment through optional labyrinth seals. Special design for promotion of wearing substances, aggressive media or at high gas temperatures. Optional design in stainless steel.

### Impeller:

High performance radial impeller, single inlet, backward curved blades. Special designs for caking / wearing substances, aggressive media or at high gas temperatures. Optional design in high strength steel or stainless steel. Dynamically balanced to DIN ISO 1940-1, grade G 6.3, oscillations do not exceed 4 mm/s.

### Drive:

IEC standard motor mounted on motor mount out of the main stream. Standard protection IP 55, class F insulation (customer-specific motors on request). Also available for operation with frequency converter (FU). Impeller driven via coupling.

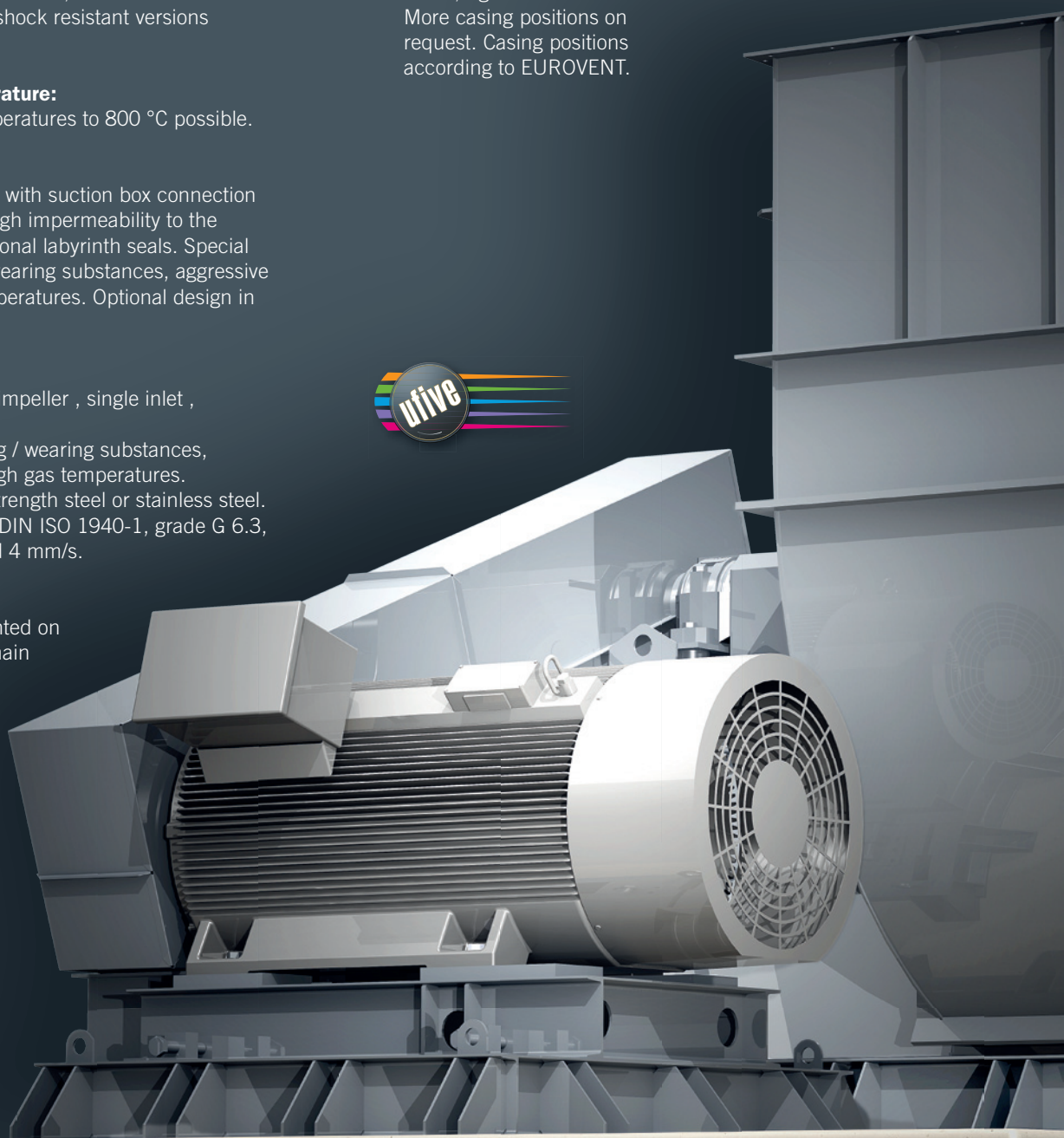
### Air performance curves :

Show the total pressure increase  $p_f$  as a function of the volume flow  $q_V$  for pressure-side duct connection. Power is measured at the suction chamber and ducted test rigs according to DIN 24163 and ISO 5801 for an air density of  $1.2 \text{ kg / m}^3$  and  $20 \text{ °C}$ . For the operating data of our fans tolerances are in accordance with accuracy class 2 according to DIN 24166.

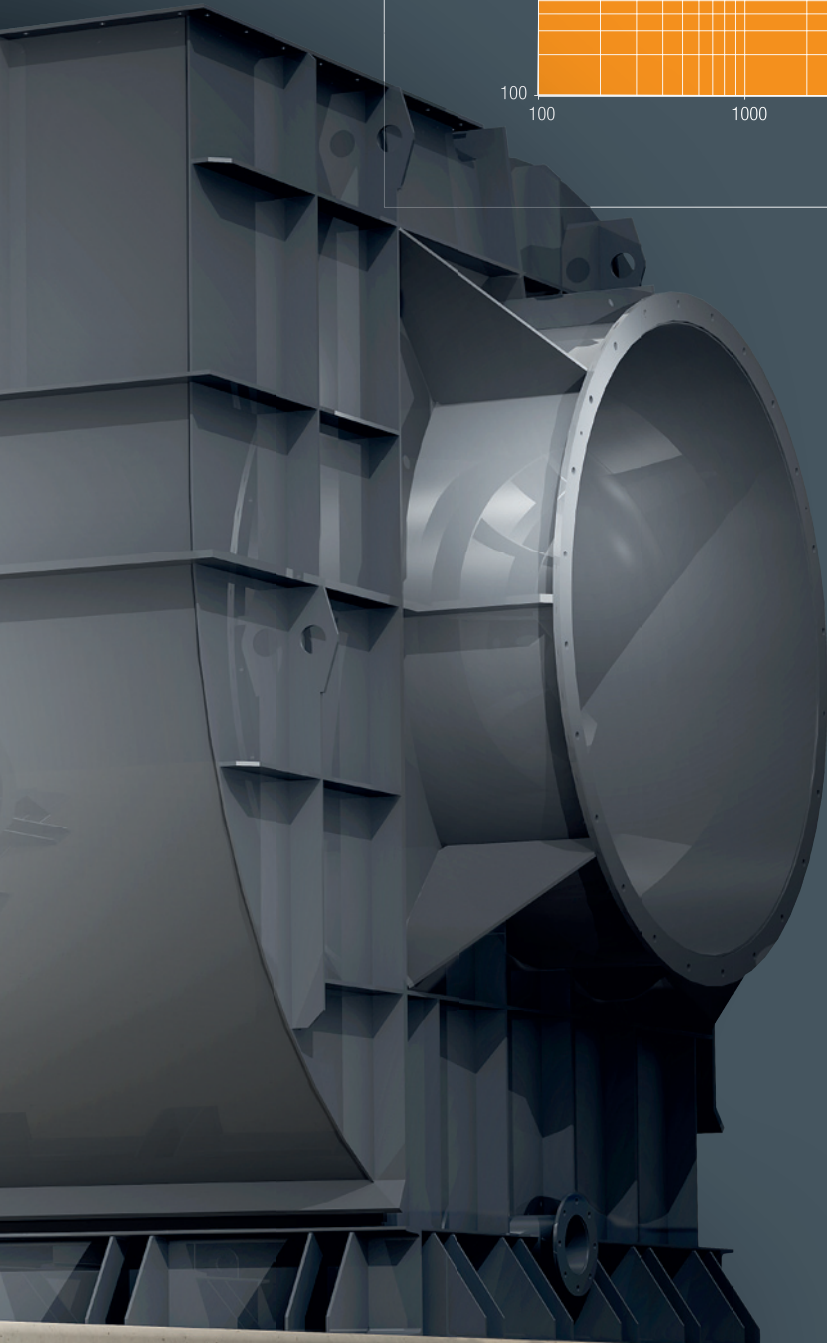
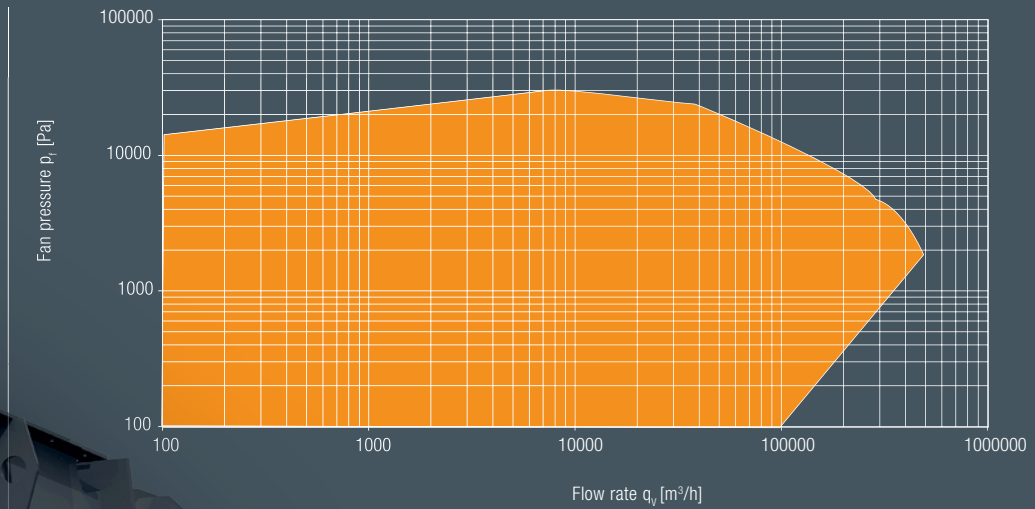
### Installation:

In different casing positions ( $0^\circ$ ,  $90^\circ$ ,  $135^\circ$ ,  $270^\circ$  and  $315^\circ$ ), right- and left-handed available.

More casing positions on request. Casing positions according to EUROVENT.



## Megatec by Pollrich DLK



**ATEX:**

All fans are also available under ATEX Directive.

**API:**

Design according to API standard possible.

**Units:**

All dimensions in this catalogue are given in mm, weights in kg.

**Accessories:**

Accessories for various installation situations (i.e. Suction boxes, Vane Control etc.) on request.

**Tender Specifications:**

Please refer to the Download section of our website  
<http://www.pollrichdlk.com>

Subject to change.

POLLRICHDLK®  
FAN FACTORIES

**Axial fans**  
The basic series



... you should get to know!

POLLRICHDLK®  
FAN FACTORIES

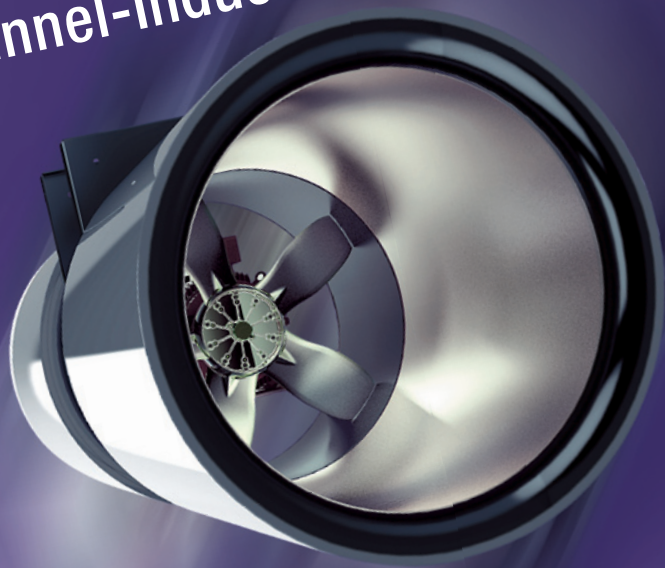
Smoke extraction fans  
The basic series



... you should get to know!

POLLRICH DLK®  
FAN FACTORIES

## Tunnel-Induction fans



... you should get to know!

POLLRICHDLK®  
FAN FACTORIES

Centrifugal fans  
direct driven



... you should get to know!

# POLLRICH<sup>DLK</sup><sup>®</sup> FAN FACTORIES



**DLK Ventilatoren GmbH**

Ziegeleistraße 18  
D-74214 Schöntal-Berlichingen  
fon +49(0) 7943 - 9102 - 0  
fax +49(0) 7943 - 9102 - 10  
info@pollrichdlk.com

www.pollrichdlk.com

**Service-Hotline:**

phone +49 (0) 79 43 - 91 02 - 77  
service@pollrichdlk.com

Our service-team is available for you  
around-the-clock.

- Technical advice
- Assembly
- Commissioning
- Performance tests
- Noise and vibration measurements
- Inspection
- Preventative maintenance
- Maintenance an repair
- Electronic balancing
- System optimisation

