

POLLRICHDLK®
FAN FACTORIES

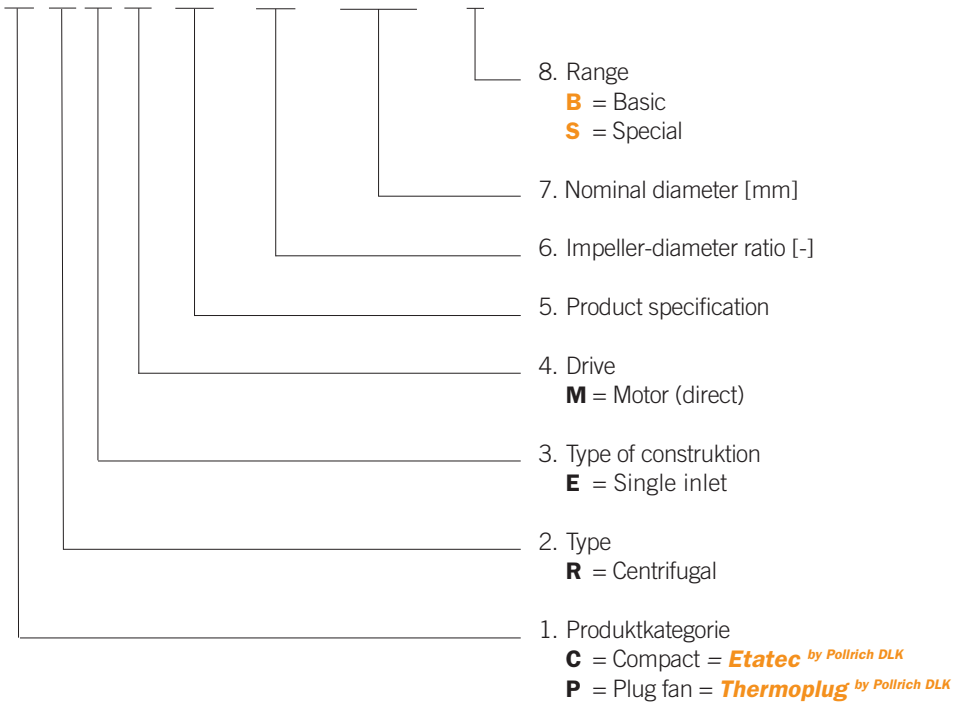
Centrifugal fans
direct driven



Type code and symbols

Type code for centrifugal fans

C R E M 01 - 28 - 0400 - B



Type code of all products

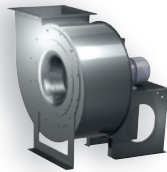
Product category	Type	Type of construction	Drive
H _Centrifugal fan (heavy-duty)	A _Axial	O _Without guide vanes	M _Motor
C _Centrifugal fan (compact)	R _Centrifugal	N _Outlet guide vanes	K _Coupling
A _Axial fan		V _Inlet guide vanes	R _Belt drive
P _Plug fan		R _Reversible	
S _Smoke extraction fan		E _Single inlet	
		Z _Double inlet	
		T _Tunnel	
		J _Jetfan	
		D _Roof	
		G _Car park	

Symbols

N	Speed
DN	Nominal diameter
$L_w(A)$	Sound power level A-weighted
p_f	Fan pressure
p_{sf}	Static fan pressure
p_d	Dynamic fan pressure
q_v	Flow rate

	Seite
Brands and Products	2
Project planning advice	4
Characteristic Determination	9

Comparing direct driven centrifugal fans	10
---	-----------



Etatec by PollrichDLK

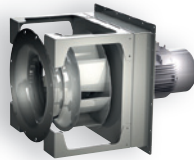
Centrifugal fans, direct driven

Product-specific information

CREM -Product group, diameter ratio 28-71, DN 400-1400, 80 °C Constant temperature.....	12
---	-----------

Accessories

for product group CREM	122
-------------------------------------	------------



Thermoplug by PollrichDLK

Plug fans, direct driven

Product-specific information

PREM -Product group, diameter ratio 71, DN 400-1120, 300 °C Constant temperature	132
--	------------

PRODUCTS PLUS FULL-SERVICE

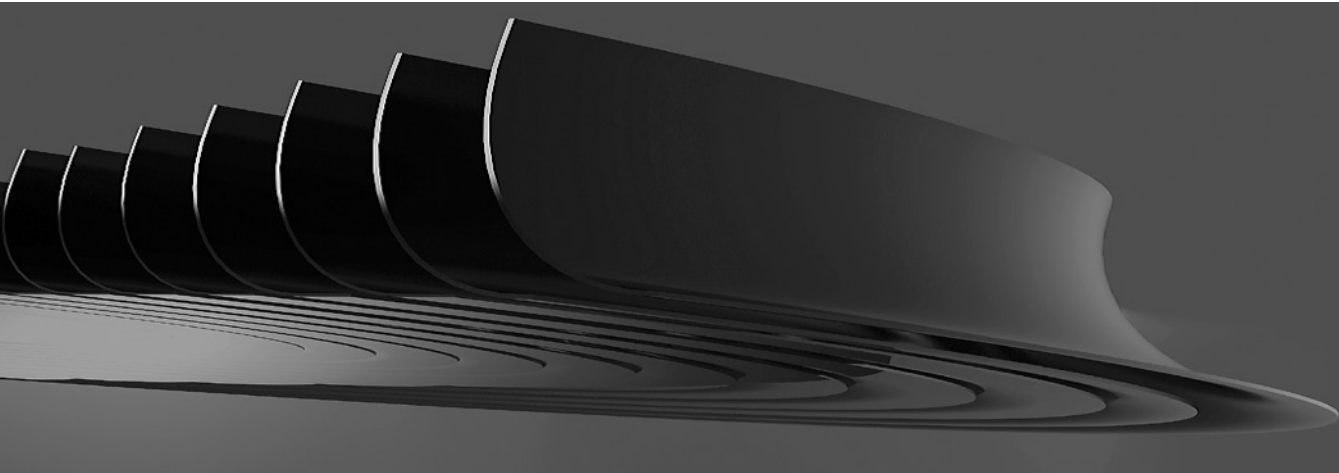


The Trademark Pollrich DLK Fan Factories®

The trademark “Pollrich DLK Fan Factories” stands for **more than 40 years of production know-how of industrial fans**. DLK Ventilatoren GmbH in Schöntal-Berlichingen / Germany manufactures with a workforce of more than 100 employees axial and centrifugal fans for nearly any industrial application.

As **the only manufacturer in the world offering all five product segments of industrial fans**, we propose an unmatched range of products for the most different requirements of our customers. As our sales teams are organised in market segments they will better understand the specific project of their customer and supply knowledgeable solutions.

With a mix of standardisation, sophisticated variant management, tight internal organisation, and an intelligently controlled staff employment, we manufacture as well **standard fans as pinpointed special units** – always precisely matching the customer’s requirements, including highest efficiency, zero-defect and shortest delivery time.



Our R&D department combines expertise within all sectors of fan technology with highly efficient simulation tools such as CFD (Computational Fluid Dynamics) for flow visualisation and FEM (Finite-Element-Method) to calculate the structure-mechanical characteristics, as well as test ducts and -chambers according to international standard ISO 5801, equipped with the latest measuring technology in order to determine the aerodynamic and aeroacoustic characteristics.

Our company's commitment is centered to high quality and customer's needs. Our understanding for quality is not limited to the product and to the production methods certified according to DIN ISO 9001. Our quality commitment includes the results of the individual work of every employee. This is the philosophy that every employee is realising towards inside and outside of the company. Products and management processes are consistently adjusted to the customer's requirements by applying Kaizen/CIP. This means for our customers: Qualified advice and support, innovative product solutions, reliable delivery times and unvarying high product quality.

We take care of you, wherever you are in the world, with our comprehensive power service package beginning at the moment of feasibility or project studies, passing by the commissioning on site, and ending in a first class after sales service. Our **worldwide acting service team** will be ready to help every day of the year for 24 hours.

Project planning advice

Sound calculations

This section first looks at the theoretical principles required to calculate sound. It then goes on to explain how the sound calculations are carried out at PollrichDLK.

Theoretical principles

Sound pressure

Sound pressure waves are small pressure fluctuations that are masked by the ambient pressure. Due to the fact that the sound pressure in the normal pressure unit Pa exceeds several powers of 10, it is usually stated as the sound pressure level in a logarithmic form in the unit decibel [dB]:

(1)

$$L_p = 10 \cdot \lg \left(\frac{p_{\text{eff}}^2}{p_0^2} \right)$$

In (1) the reference value corresponds to the lower hearing threshold.

A sound pressure level of e.g. 8 dB therefore corresponds to 10^{8/10} times the lower hearing threshold. This correlation is shown by the examples in Table 1

Table 1: Correlation between the sound pressure and sound pressure level based on examples

Sound sources	Distance in m	Sound pressure p in Pa	Sound pressure level Lp in dB
Jet plane	30	200	140
Pain threshold		63,2	130
Discomfort threshold		20	120
Chainsaw	1	6,3	110
Disco loudspeaker	1	2	100
Diesel engine	10	0,63	90
Busy road	5	0,2	80
Vacuum cleaner	1	0,063	70
Normal speech	1	0,02	60
Home		0,0063	50
Quiet library		0,002	40
Quiet bedroom		0,00063	30
Background in a TV-studio		0,0002	20
Hearing threshold		0,00002	0

The sound pressure level depends on the distance rL to the sound source and decreases as the distance increases in the ratio.

(2)

$$p_{\text{eff}} \cong \frac{1}{r_L^2}$$

A sound usually contains sounds of different frequencies. Therefore it makes sense to present sound as a range that is dependent on the frequency. Figure 1 shows a so-called narrow band spectrum. In this, the broad-range basic noise is often masked by the striking sounds reflected in the various single frequency peaks.

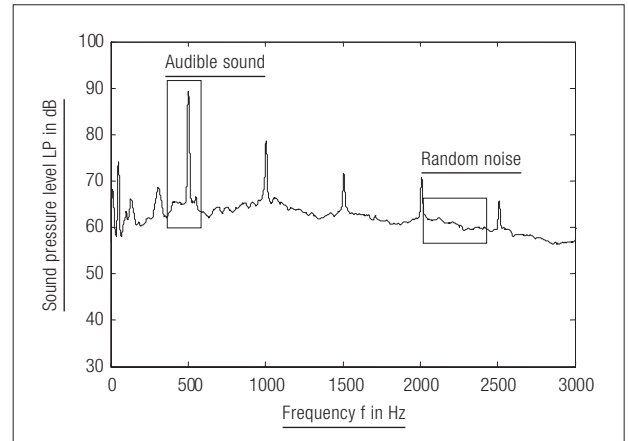


Figure 1: Narrow band spectrum - sound pressure level

In practice, the narrow frequency bands are often summarised into octave bands that are defined in DIN EN 61260. This results in an octave band spectrum, Figure 2. The middle frequencies of the octave bands are 63, 125, 250, 500, 1000, 2000, 4000 and 8000 Hz. To calculate an octave band spectrum, all narrow band sound pressure levels Lp within an octave band Δf_{Oktav} are added up:

(3)

$$L_{p,\text{Oktav}} = 10 \cdot \lg \left(\sum_i 10^{\frac{L_{p,i}(\Delta f_{\text{Oktav}})}{10}} \right)$$

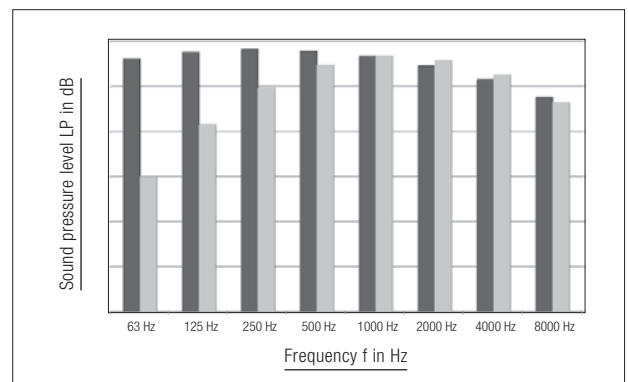


Figure 2: Octave band spectrum - sound pressure level non-weighted and A-weighted

Sound power

In contrast to the sound pressure level, the sound power level LW does not depend on the distance to the sound source. To determine the sound power level, the sound pressure level is first determined at several points on the enveloping surface A around the fan; this is then summarised according to frequency in a mean octave band spectrum:

(4)

$$L_{p,m} = 10 \cdot \lg \left(\frac{1}{j} \sum_{i=1}^j 10^{\frac{L_{p,\text{Oktav},i}(f)}{10}} \right)$$

The mean sound pressure level is converted to the sound power level in the octave spectrum by means of the enveloping surface unit L_s:

(5)

$$L_w = L_{p,m} + L_s$$

Project planning advice

The enveloping surface unit is determined in (6) as follows:

$$L_s = 10 \cdot \lg \left(\frac{A}{A_0} \right) \text{ mit } A_0 = 1\text{m}^2 \quad (6)$$

The k octave bands can be summarised to a total sound power level $L_{W, \text{tot}}$ by means of logarithmic addition for all mean frequencies:

$$L_{W, \text{ges}} = 10 \cdot \lg \left(\sum_{i=1}^k 10^{\frac{L_{W,i}}{10}} \right) = 10 \cdot \lg \left(10^{\frac{L_{W, 63\text{Hz}}}{10}} + \dots + 10^{\frac{L_{W, 8000\text{Hz}}}{10}} \right) \quad (7)$$

A-weighting

The A-weighting is a relativisation that takes into account the characteristics of the human ear (unit dB(A)). To determine an A-weighted octave spectrum, the level corrections shown in Table 2 are added to the non-weighted spectrum:

$$L_{p, A} = L_p + L_{A\text{-Assessment}} \quad (8)$$

Table 2: A-weighted - level correction $L_{A\text{-weighted}}$

63 Hz	125 Hz	250 Hz	500 Hz	1000 Hz	2000 Hz	4000 Hz	8000 Hz
-26,2	-16,1	-8,6	-3,2	0	+1,2	+1,0	-1,1

Comments

To calculate the sum of several sound sources, the individual levels are added logarithmically:

$$L = 10 \cdot \lg \left(\sum_{i=1}^k 10^{\frac{L_i}{10}} \right) = 10 \cdot \lg \left(10^{\frac{L_1}{10}} + 10^{\frac{L_2}{10}} + \dots + 10^{\frac{L_k}{10}} \right) \quad (9)$$

When two sound sources of the same level of noise are added, the sound value always increases by 3dB regardless of the sound level.

The enveloping surface is usually either a spherical surface

$$A = 4 \cdot \pi \cdot r^2 \quad (10)$$

or a hemispheric surface

$$A = 2 \cdot \pi \cdot r^2 \quad (11)$$

Calculation and measurement at Pollrich DLK

If there are no sound measurements from the sound laboratory, PollrichDLK carries out a calculation based on the VDI 3731. The guideline divides the continuous flow machines into the following fan types:

- Axial with guide vane
- Axial without guide vane
- Centrifugal middle pressure
- Centrifugal high pressure

In these sound calculation methods, the sound power level is first estimated based on the aerodynamic data. Then, based on this, the octave spectrums and then a sound pressure level are determined. The method is applied equally for all fan types, however machine-specific coefficients are used:

- Calculation of the non-weighted sound power level (is the same for cable connections on the suction and pressure side except for high-pressure centrifugal fans)

$$L_W = C_1 + 10 \cdot \lg \left(\frac{p_f \cdot q_v}{p_o \cdot q_{v,o}} \cdot \left(\frac{1}{\eta_a} - 1 \right) \right) + 10 \cdot C_2 \cdot \lg \left(\frac{u_2}{a} \right) \quad (12)$$

- Calculation of the A-weighted sound power level

$$L_{W,A} = C_3 + 10 \cdot \lg \left(\frac{p_f \cdot q_v}{p_o \cdot q_{v,o}} \cdot \left(\frac{1}{\eta_a} - 1 \right) \right) + 10 \cdot C_4 \cdot \lg \left(\frac{u_2}{a} \right) \quad (13)$$

- Estimation of an octave spectrum using a fan-specific value $\Delta L_{W, \text{okt}}$ (ST) for every octave band

$$\Delta L_{W, \text{okt}}(\text{St}) = - \left[C_5 + C_6 \cdot (\lg(\text{St}) + C_7)^2 \right] \quad (14)$$

with the Strouhal number

$$\text{St} = \frac{f \cdot D}{u_2} \quad (15)$$

and addition to the sound power level acc. to Gl. (16) bzw. (17)

$$L_{W, \text{okt}} = L_W + \Delta L_{W, \text{okt}}(\text{St}) \quad (16)$$

$$L_{W,A, \text{okt}} = L_{W,A} + \Delta L_{W, \text{okt}}(\text{St}) \quad (17)$$

Calculation of the sound pressure level for a hemispheric enveloping surface

$$L_{p, \text{okt}} = L_{W, \text{okt}} + 10 \cdot \lg \frac{1}{2 \cdot \pi \cdot r^2} \quad (18)$$

- the A-weighting

$$L_{W,A, \text{okt}} = L_{W, \text{okt}} + \Delta L_{A\text{-Assessment}} \quad (19)$$

- Calculation of both the non-weighted and also the A-weighted total sound pressure level by means of logarithmic addition of the individual values of the octave band acc. to eq. (17).

The values for C1 to C7 are either taken from the standard or adapted accordingly to internal measuring values.

Project planning advice

Explosion protection

Fans may only be used in areas in which there may be explosive media if they have been manufactured in compliance with the Directive 94/9/EC. The principles of this Directive are shown below.

Theoretical principles

Apart from the CE (CE) and the so-called ATEX symbol (Ex) devices are also labelled with information about the device group, device category, type of protection, explosion subgroup and temperature class, Figure 3.

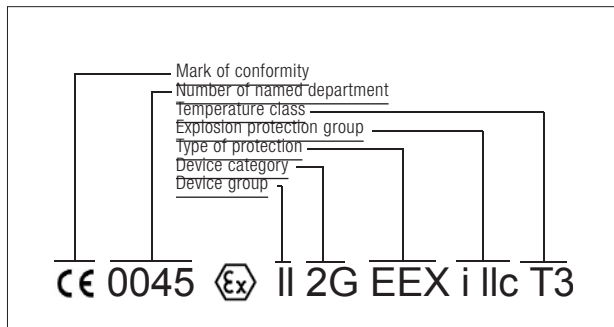


Figure 3: Device identification acc. to the Directive 94/9/EC

The classifications mentioned are explained in the following sections.

Device groups

Machines for use in explosion-protection areas are divided into two groups:

1. **Group I** only applies to mining
2. **Group II** applies to all other explosion-protection areas.

Zone division

Group I is divided into two sub-groups and is shown Table 3

Table 3: Categories of the device group I

Device group I (mining)			
	Category M1:	Category M2:	
	Very high level of security	High level of security	
Adequate security	Constant, long-term or frequent	Occasionally in normal operations	

The classification of the device group II into appropriate categories is somewhat more complex and is shown Table 4.

Table 4: Categories of the device group II

Device group II other explosive areas						
	Category 1:		Category 2:		Category 3:	
	Very high level of security		High level of security		Normal level of security	
Creation of dangerous atmosphere (gas, dust)	Constant, long-term or frequent		Occasionally in normal operations		Not for normal operations, or only briefly	
Use in zone:	0	20	1	21	2	22
Atmosphere	1G	1D	2G	2D	3G	3D
G=gas, D=dust						

Types of protection

The type of protection shows the technical action taken to ensure the machine cannot act as an ignition source. Table 5 shows what action can be taken so that non-electrical components can be used in explosion-protection areas acc. to EN 13463-1 ff (non-electric).

Table 5: Types of protection for non-electrical components acc. to EN 13463-1 ff

Types of protection	Abbreviation	Category
Vapour-retarding encapsulation	Ex fr	II 3G
Pressure-resistant capsule	Ex d	II 2G
		II 2D
		II 3G
		II 3D
Constructive safety	Ex c	II 2G
		II 2D
		II 3G
		II 3D
Monitoring of ignition sources	Ex b1 Ex b2	II 2G
		II 2D
		II 3G
		II 3D
Over-pressure encapsulation	Ex p	II 2G
		II 2D
		II 3G
		II 3D
Liquid encapsulation	Ex k	II 2G II 3G

For a complete list of the types of protection, please refer to the Directives EN 60079-0 ff, EN 13463-1 ff and EN 61241-0 ff.

Explosion-protection groups

The explosion-protection groups state the materials that the machine may come into contact with. Two protection groups need to be defined for the machine - one for the fan and the other for the motor compartment. The classification of typical gases is shown in Table 6. The classification of further gases and dust common in the industry is listed in the Directive 94/9/EC.

Table 6: Explosion protection groups

Explosion protection groups	
Explosion protection group	Typical gas
I	Methane
II A	Propane
II B	Ethylene
II C	Hydrogen

Temperature classes

The temperature class specifies the highest allowed surface temperature of the machine. The division of the classes is shown in Table 7.

Table 7: Temperature classes

Highest allowed surface temperature	Temperature class acc. to: CENELEC IEC USA (NEC 505)
450 °C	T1
300 °C	T2
200 °C	T3
135 °C	T4
100 °C	T5
85 °C	T6

Project planning advice

The temperature classes are selected like the classification of the explosion protection types depending on the material used and are also stated in the Directive 94/9/EC or corresponding tables.

Identification in dusty atmosphere

When fans are used in a dusty atmosphere the identification has to be changed. The explosion protection group is not used anymore. The temperature class is replaced by the maximum surface temperature.

CE 0045 Ex II 2D EEX i T125°C

Similarity laws

This section looks at the similarity laws that serve the conversion of the measuring data for changed operating conditions.

If two machines have a geometrical - strictly speaking also kinematical and dynamic - similarity, their operating data can be mutually converted. 2 machines are geometrically similar if all geometric dimensions can be mutually converted by means of multiplications with a constant factor. Angles, such as e.g. the blade angle, are the same for geometrically similar machines.

This means that the data of a fan can be converted to another impeller diameter, another numbers of revolution or another density of the flowing fluids.

The following ratios for the conversion of volume flow, pressure increase and shaft output can be derived from the dimension analyses (the index "old" designates the known initial factors, the index "new" stands for those factors that still have to be determined):

Volume flow

$$q_{V,new} = \left(\frac{D_{new}}{D_{old}}\right)^3 \cdot \left(\frac{n_{new}}{n_{old}}\right) \cdot q_{V,old} \quad (20)$$

The change in the diameter of the impeller affects the required volume flow to the power of 3, a change of speed is linearly proportional to the volume flow. A change in density does not affect the volume flow.

Pressure increase

$$p_{t,new} = \left(\frac{D_{new}}{D_{old}}\right)^2 \cdot \left(\frac{n_{new}}{n_{old}}\right)^2 \cdot \left(\frac{\rho_{new}}{\rho_{old}}\right) \cdot p_{t,old} \quad (21)$$

The increase in pressure depends on the square of the change of the diameter and the number of revolution respectively. Density changes are linear.

Shaft output

$$P_{a,new} = \left(\frac{D_{new}}{D_{old}}\right)^5 \cdot \left(\frac{n_{new}}{n_{old}}\right)^3 \cdot \left(\frac{\rho_{new}}{\rho_{old}}\right) \cdot P_{a,old} \quad (22)$$

The recorded shaft output of a fan depends heavily on its diameter (to the power of 5). Changes in speed are stated to the power of 3, density changes are linear.

Apart from the conversion to other construction parameters, these formulas are often used to make measurements comparable regardless of the test conditions. To this end, the results are standardised to an air density of $\rho = 1.2 \text{ kg/m}^3$. An example of a conversion of given data to a standard density is shown in the chapter "Units and conversion factors".

The number of revolution is converted when a frequency converter (FU) is used, when there are differing pole numbers for the drive motor or different network frequencies. If there are slight changes to the operating status, these conversions are sufficient, if there are large changes of diameter or number of revolution, changes to the efficiency level need to be taken into consideration as a result of the so-called Reynolds number influences. This is usually carried out by means of upgrading equations.

System characteristics, performance curves and operating behaviour in the event of flow disturbances

The system characteristic is a system-specific parameter that describes the pressure loss of the entire system. The pressure loss of a system depends on the density of the flow medium, the flow speed and a specific loss coefficient ξ .

For many fittings such as manifolds, vanes, rectifier or throttles, there are empirically determined loss coefficients in various literature publications that can be used to calculate the system pressure loss. The pressure loss for straight flows through pipes and channels is determined by means of a pipe friction coefficient λ .

The total pressure loss of a system is calculated as the sum of the individual losses as follows:

$$p_s = \sum_{i=1}^1 \xi_i \frac{\rho}{2} c_i^2 \quad (38)$$

The fan characteristic is measured on a standardized test rig under optimised flow conditions. Figure 6 shows the schematic sketch of a corresponding chamber test stand. The system losses are simulated by means of a controllable throttle.

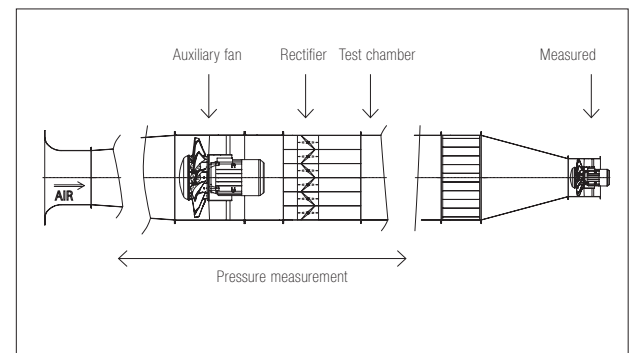


Figure 6: standardized test rig (according to ISO 5801)

The operating point of a fan is the point where the system characteristic intersects the fan characteristic (see Figure 7).

Project planning advice

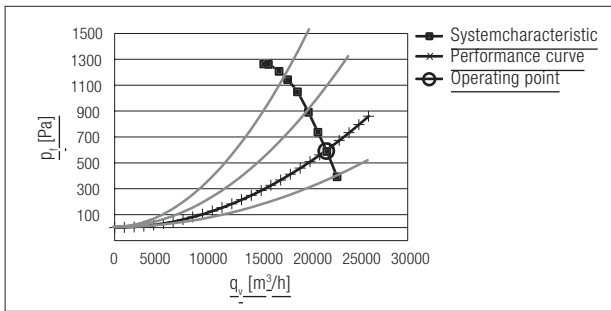


Figure 7: Operating point as the intersection of the system and performance curves

Ignored or inadequately considered influences that change the system pressure loss and therefore change the flow behaviour lead to a change in the system characteristic and therefore also shift the operating point. Also, they can cause an uneven velocity field at the inflow and outflow intersection of the fan which can excite the impeller into damaging vibrations.

PollrichDLK has a large number of studies relating to the fittings on the intake and pressure sides. Figure 8 shows various inflows. The use of an inflow nozzle is ideal (Figure 8a). Sharp-edged cross-section changes (Figure 8b and 8c) will mean that the flow cannot follow these and will create a swirl that prevents homogeneous inflow.

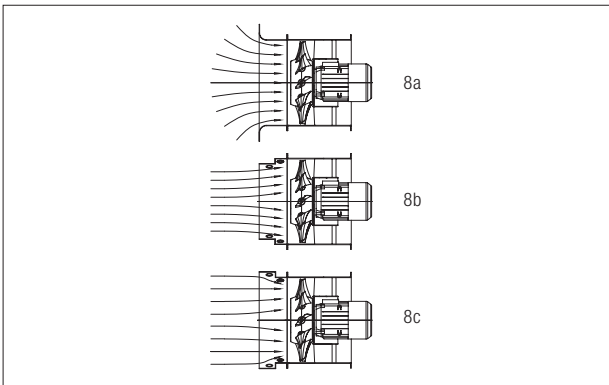


Figure 8: Example of inflows to the impeller

Steps should be taken to ensure the disturbance-free inflow and outflow of the impeller. There must be an adequate distance between the fan and the fittings.

Detailed information about the installation situation is a prerequisite for the adequate installation of the fan.

Units and conversion factors

Length dimensions

Apart from the SI units, the following other length units are also used in the engineering field:

- Foot/feet, 1 ft = 12 in = 0.3048 m.
- Mile; (usually terrestrial mile) of the USA, 1 mile = 1.609344 km.
- Yard, 1 yard = 1 yd = 3 ft = 36 inches = 0.9144 metres
- Inch 1 in = 1" = 2.54 cm = 0.0254m

Radian

Angles can either be stated in radians (angle in relation to π) or in degrees. 180° degree correspond to a radian of π . Important radians are shown in Table 9.

Table 9: Conversion radian and degrees

0	$1/4 \pi$	$1/2 \pi$	$3/4 \pi$	1π	$5/4 \pi$	$3/2 \pi$	$7/4 \pi$	2π
0°	45°	90°	135°	180°	225°	270°	315°	360°

Pressure

Depending on the geographical region and the industrial background, the pressure is often stated in various units. The conversion can be carried out using the unit Pa = Pascal based on the Table 10 and 11. Here the following applies: mmHg = mm mercury column, mmWS = mm water column, inWS = Inch water column and PSI = pounds per square inch.

Table 10: Pressure conversion in Pascal

Unit	in Pa
1N/m ²	1
1N/mm ²	1,0E-6
1mmWS	9,8066
1Inch WS	249,1
1mmHg	133,322
1bar	1,0E5

Table 11: Pressure conversion from Pascal

Unit	in Pa
1Pa	1N/m ²
1Pa	1,0E6N/mm ²
1Pa	0,10197mmWS
1Pa	4,015E-3Inch WS
1Pa	7,501E-3mmHg
1Pa	1,0E-5bar

Rotational speed in peripheral speed

$$u_{1,2} = 2\pi nr_{1,2} = \pi nD_{1,2} \quad (35)$$

Conversion of operating density to reference density

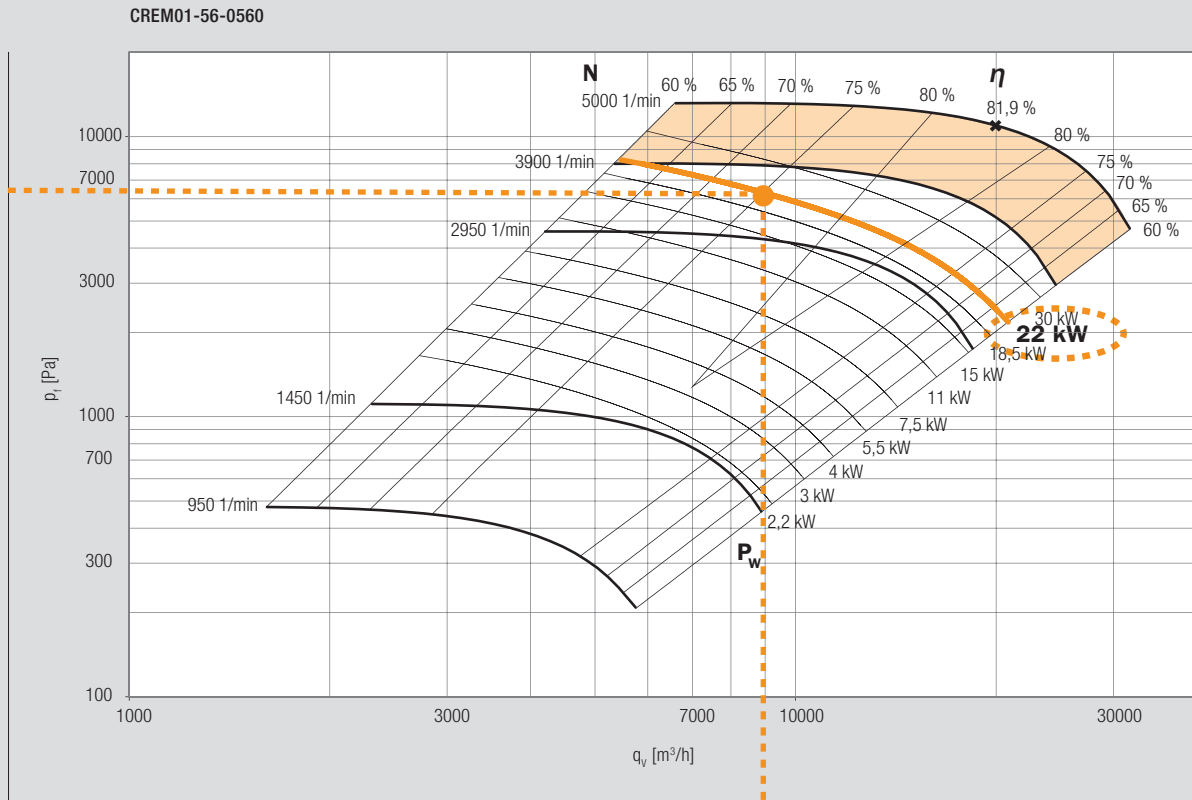
The measured results depend on the air density in the environment and the test rig. These influences are eliminated by conversion to a reference density. Usually the reference density is defined as $\rho_B = 1,2 \text{ kg/m}^3$. The actual density during measuring is $\rho = 1,15 \text{ kg/m}^3$. For a measured pressure increase of $p_i = 1000 \text{ Pa}$ and an impeller output of $P_a = 10 \text{ kW}$, the result is the following conversion according to the Gl. (36) and (37):

$$P_{r,new} = \frac{\rho_B}{\rho} P_i = \frac{1,2}{1,15} 1000 \text{ Pa} = 1043 \text{ Pa} \quad (36)$$

$$P_{a,new} = \frac{\rho_B}{\rho} P_a = \frac{1,2}{1,15} 10 \text{ kW} = 10,43 \text{ kW} \quad (37)$$

The volume flow remains unchanged.

Characteristic Determination:



Example:

1. Desired duty point $q_v = 9000 \text{ m}^3/\text{h}$; $p_f = 6500 \text{ Pa}$.
2. Select performance that is above the duty point.
Example **22 kW**.
3. Input the selected motor power and read the corresponding order number from the table.
Here this is: **B100842**
4. Use inverter drive if the duty point is not close to a standard rotational speed.

CREM01-56-0560-B

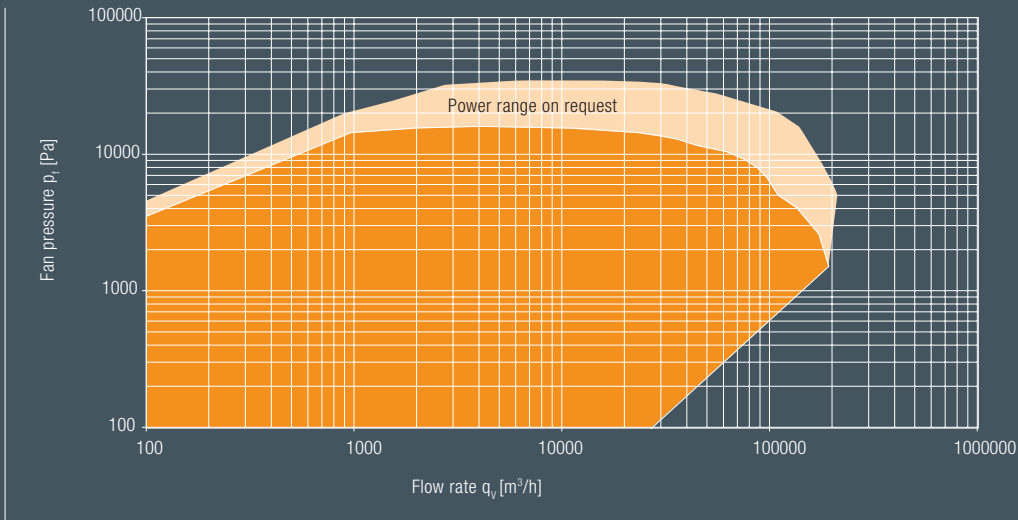
Order no.	Motor power output [kW]	Speed [1/min]	Voltage [V]	Connection	Nominal current [A]	Starting current [A]	Weight ca. [kg]	Order
B100841	18.5	2937	400/690	Δ/Y	33.0	244.2	282	E
B100842	22	2940	400/690	Δ/Y	38.1	297.2	317	E
B100843	30	2950	400/690	Δ/Y	53.4	416.5	371	E
B100844	2.2	1440	230/400	Δ/Y	4.6	32.5	161	E
B100845	3	1440	230/400	Δ/Y	6.2	43.3	167	E
B100846	4	1445	400/690	Δ/Y	8.1	60.9	172	E
B100847	5.5	1455	400/690	Δ/Y	10.9	69.8	183	E
B100848	7.5	1455	400/690	Δ/Y	14.5	101.5	194	E
B100849	11	1460	400/690	Δ/Y	22.1	152.5	268	E
B100850	15	1460	400/690	Δ/Y	29.6	222.0	244	E
B100851	18.5	1470	400/690	Δ/Y	32.7	255.3	300	E

All indicated values for 400 V/50 Hz/3~.

ht:

Compact centrifugal fans, direct driven

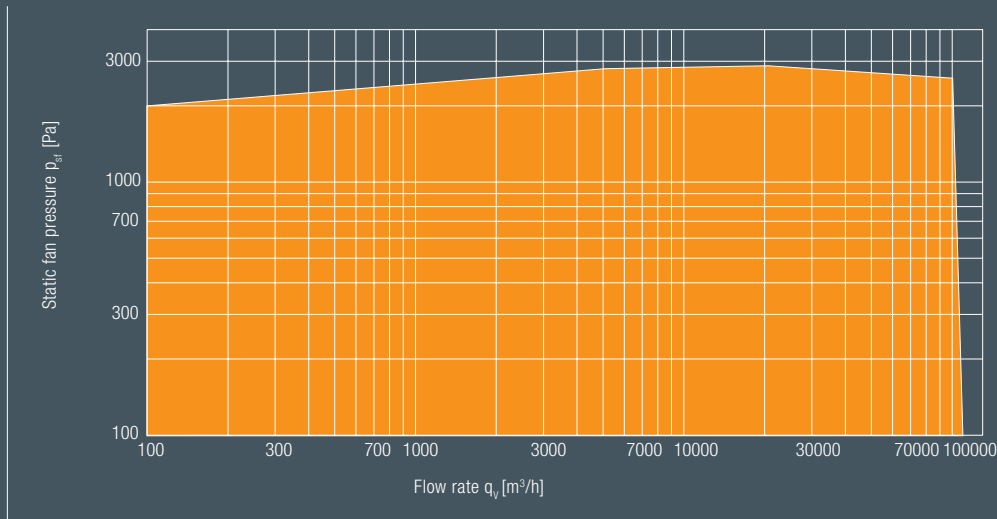
Product Series CREM01 28-71 / 400-1400



diameter relationship / diameter	Page
28 / 400 - 1400	12 - 25
31 / 400 - 1400	26 - 37
35 / 400 - 1400	38 - 49
40 / 400 - 1400	50 - 61
45 / 400 - 1400	62 - 73
50 / 400 - 1400	74 - 85
56 / 400 - 1400	86 - 97
63 / 400 - 1400	98 - 109
71 / 400 - 1400	110 - 121

Plug fans, direct driven

Product Serie PREM01 71 / 400-1120



diameter relationship / diameter	Page
71 / 400 - 1120	132 - 142

POLLRICHDLK®
FAN FACTORIES

Centrifugal fans
clutch- and belt driven



... you should get to know!

CENTRIFUGAL FAN CREM

28-71 / 400-1400

Application:

The direct driven compact centrifugal fans of product group CREM (Etatec by Pollrich DLK) can be used for extraction and supply of clean and slightly dusty air for various applications.

The main advantages:

- Aerodynamically optimized impellers
- Wide range of accessories
- High efficiency through wide product portfolio with 9 variants per impeller diameter
- Compact design
- Robust design
- Easy installation
- Large increases in pressure as well as high volume flows
- Customized solutions

Permissible flow temperature:

-20 to + 80 °C. Higher operating temperatures to 300 °C on request.

Casing:

Step welded spiral casing with inlet cone in mild steel or stainless steel. Optimum corrosion protection by powder coating (RAL 7015).

Optional: Hot-dip galvanizing , special coating , fully welded.

Impeller:

High performance radial impeller , single inlet , backward curved blades.

Standard, in mild steel or stainless steel. Dynamically balanced to DIN ISO 1940-1 grade G 6.3 <4 mm / s
Optimum corrosion protection by powder coating (RAL 7015).

Optional: Increased speed with high strength materials.

Drive:

Three-phase motor, IP55, insulation class F, IE2, up to and including 3 kW: 230V/400V, 400V/690V from 4 kW upward. Coolant temperature at motor max. 40 °C.

Thermistors wired to the motor terminal box.

Optional: Custom motor specification.

Output adjustment:

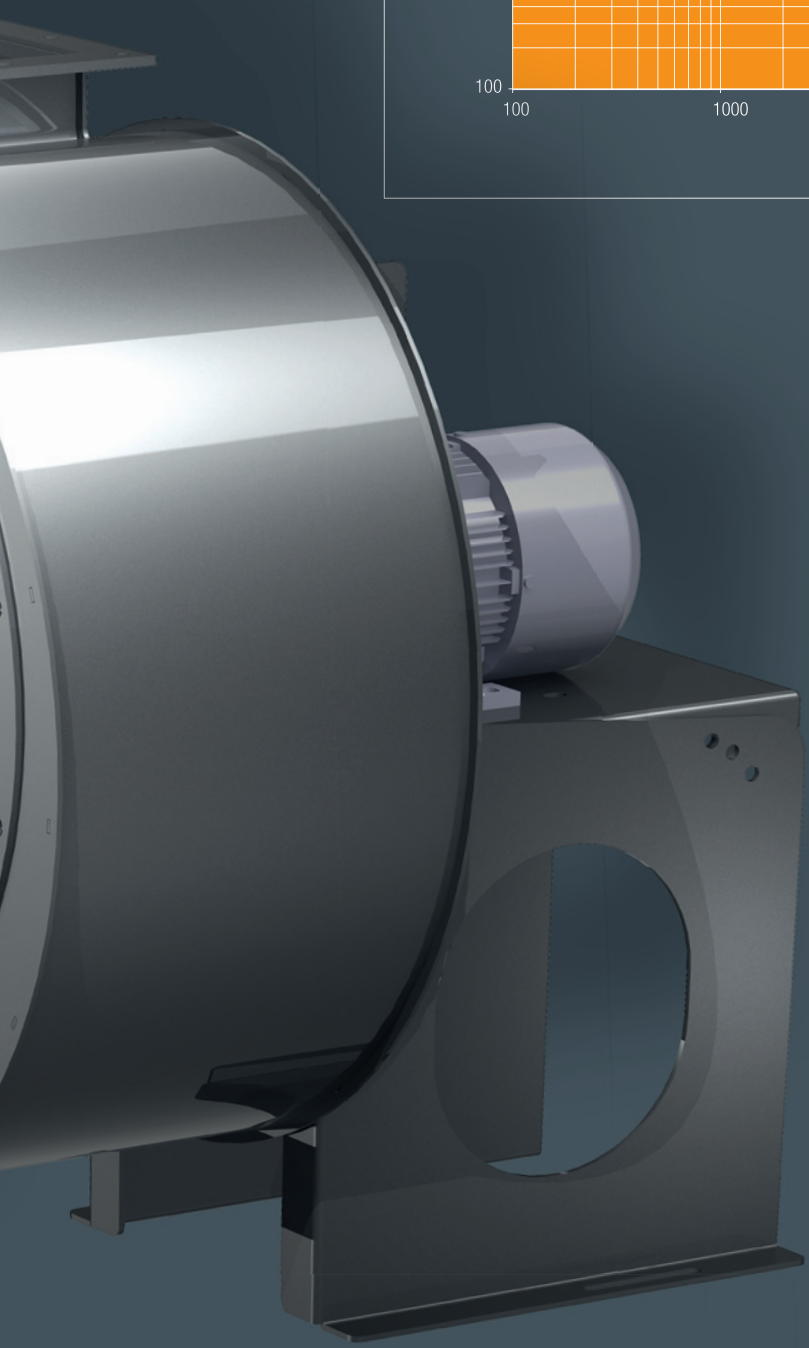
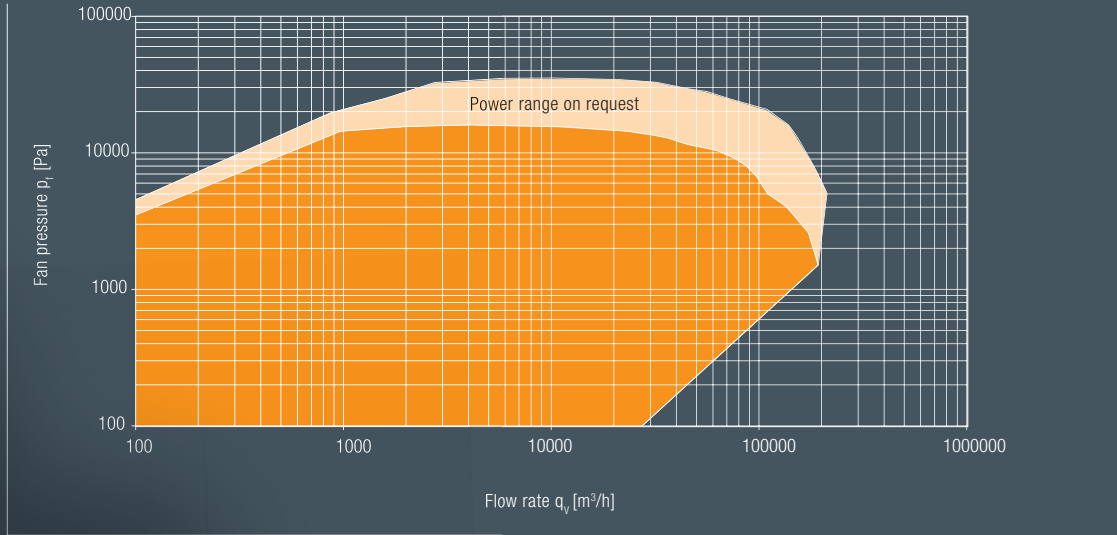
Our motors are standard equipped with PTC thermistors for operation with frequency converter (FU) with all-pole sinus filter. The maximum speed of the impeller and the maximum power output of the motor are to be observed.

Air performance curves:

Show the total pressure increase p_t as a function of the volume flow q_v for pressure-side duct connection. Power is measured at the suction chamber and ducted test rigs according to DIN 24163 and ISO 5801 for an air density of 1.2 kg / m³ and 20 °C. For the operating data of our fans tolerances are in accordance with accuracy class 2 according to DIN 24166.



Estatec by Pollrich DLK



Installation:

In different casing positions (0°, 90°, 270°), right- and left-handed available. More casing positions on request. Casing positions according to EUROVENT.

ATEX:

All fans are also available under ATEX directive.

Units:

All dimensions in this catalogue are given in mm, Weights in kg.

Accessories:

Accessories for various installation situations, starting at page 122.

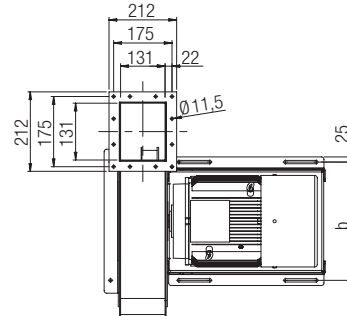
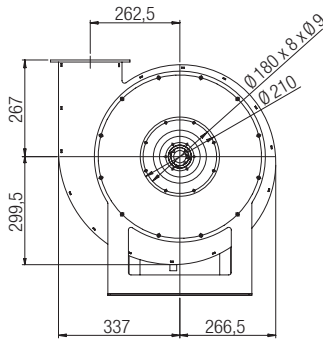
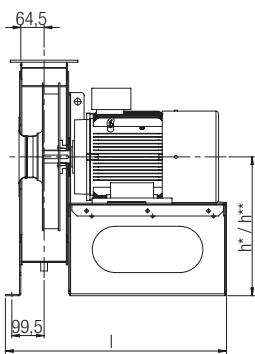
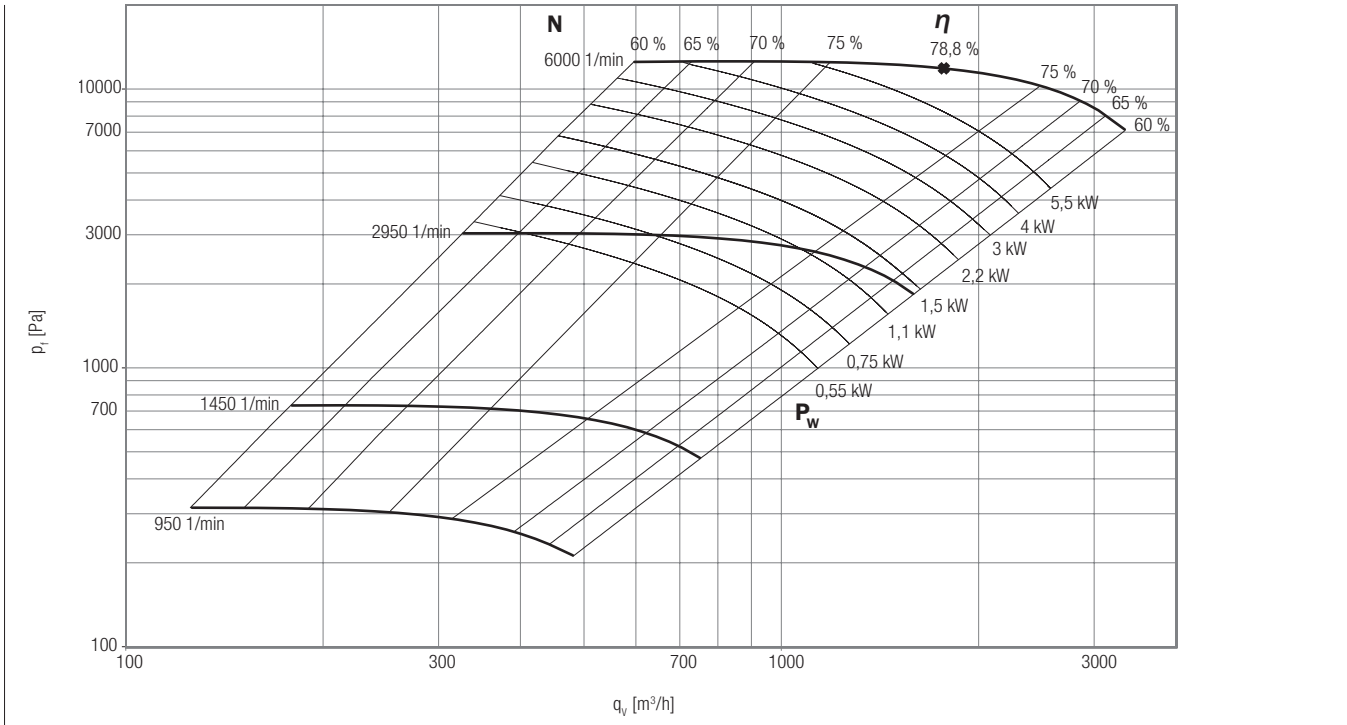
Tender Specifications:



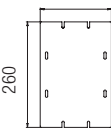







Please refer to the Download section of our website <http://www.pollrichdlk.com>

Subject to change.

CREM01-28-0400 Centrifugal fan

Eatec by Pollrich DLK



- 
Z05 Protective grill suction side
 Ord. no. B101466
- 
Z10 Flexible sleeve round
 Ord. no. B101467
- 
Z13 Inspection hatch
 Ord. no. B240514
- 
Z16 Rubber anti vibration mounts (see below)
- 
Z18 Flange, round
 Ord. no. B101468
- 
Z19 Flange, square
 Ord. no. B101200
- 
Z45 Counter flange
 Ord. no. B101345
- 
Z63 Transition piece, square to round
 Ord. no. B101470
- 
Z81 Flexible sleeve square
 Ord. no. B101273
- 
Z89 Condensate drain
 Ord. no. B240506

Full specifications for accessories, see page 122

CREM01-28-0400-B

Order no. Fan	Motor power output [kW]	Speed [1/min]	Voltage [V] Connection	Nominal current [A]	Starting current [A]	Weight ca. [kg]	Order no. Z16	h* / h** [mm]	b [mm]	l [mm]
B100000	1.5	2890	230/400 Δ/Y	3.1	22.4	80	B149380	420/460	328	537
B100001	2.2	2890	230/400 Δ/Y	4.4	30.9	84	B149380	420/460	328	537
B100002	3	2891	230/400 Δ/Y	5.8	46.9	91	B149380	420/460	328	537
B100003	4	2914	400/690 Δ/Y	7.6	57.3	94	B149380	420/460	418	620
B100004	5.5	2937	400/690 Δ/Y	10.6	79.5	110	B149380	420/460	418	620
B100005	0.55	1390	230/400 Δ/Y	1.4	60.9	75	B149380	420/460	328	537
B100006	0.75	1400	230/400 Δ/Y	1.7	8.9	77	B149380	420/460	328	537
B100007	1.1	1440	230/400 Δ/Y	2.5	15.2	81	B149380	420/460	328	537
B100008	1.5	1445	230/400 Δ/Y	3.3	23.1	83	B149380	420/460	328	537

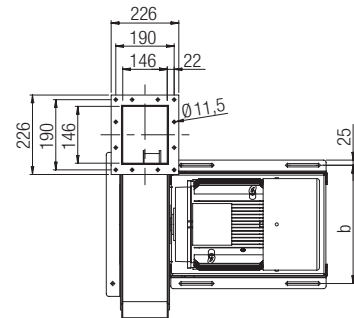
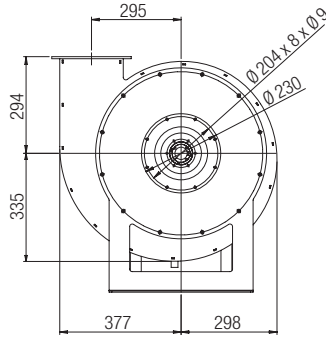
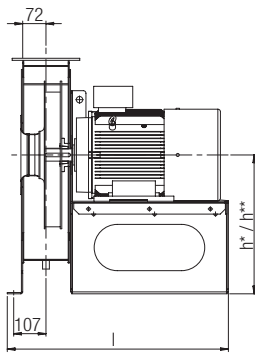
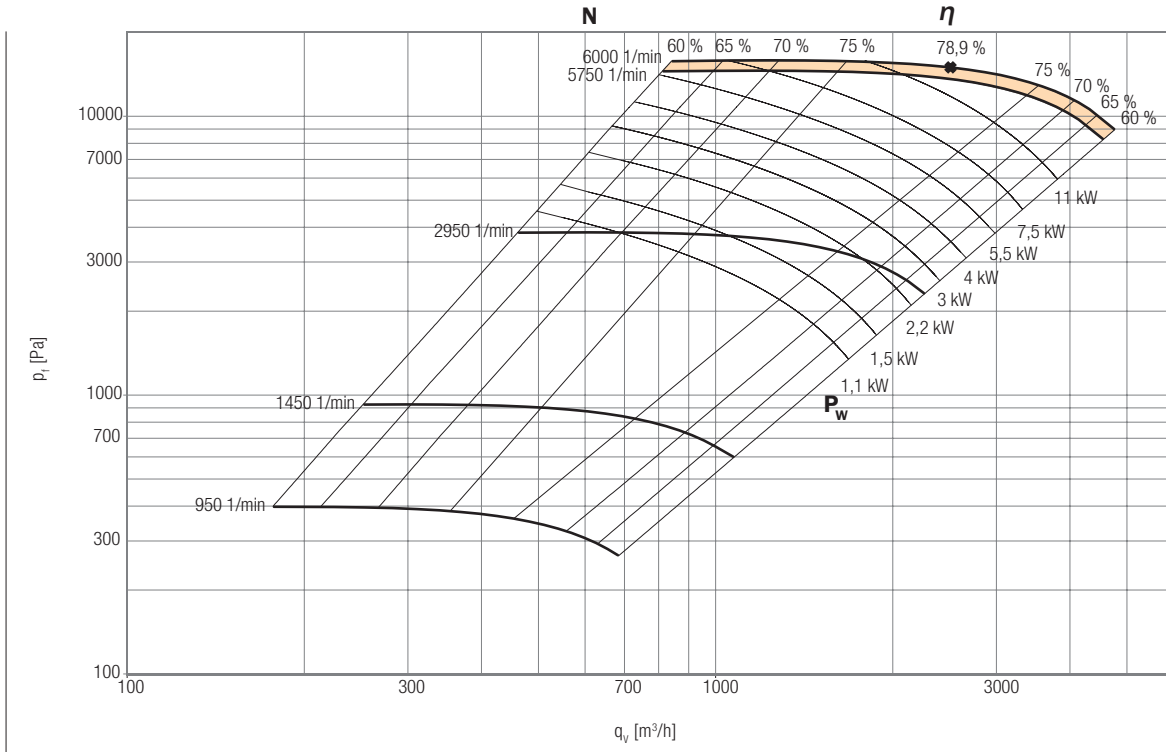
All indicated values for 400 V/50 Hz/3~.

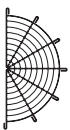
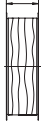
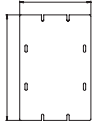






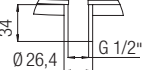
h*: Casing position: 0°, 90°

h**: Casing position: 270°

CREM01-28-0450 Centrifugal fan

Etatec by Pollrich DLK



- 
Z05 Protective grill suction side
Ord. no. B101457
 - 
Z10 Flexible sleeve round
Ord. no. B101460
 - 
Z13 Inspection hatch
Ord. no. B240514
 - 
Z16 Rubber anti vibration mounts (see below)
 - 
Z18 Flange, round
Ord. no. B101463
 - 
Z19 Flange, square
Ord. no. B101201
 - 
Z45 Counter flange
Ord. no. B101346
 - 
Z63 Transition piece, square to round
Ord. no. B101471
 - 
Z81 Flexible sleeve square
Ord. no. B101274
 - 
Z89 Condensate drain
Ord. no. B240506
- Full specifications for accessoires, see page 122

CREM01-28-0450-B

Order no. Fan	Motor power output [kW]	Speed [1/min]	Voltage [V] Connection	Nominal current [A]	Starting current [A]	Weight ca. [kg]	Order no. Z16	h* / h** [mm]	b [mm]	l [mm]
B100009	3	2891	230/400 Δ/Y	5.9	46.9	129	B148059	460/500	378	652
B100010	4	2914	400/690 Δ/Y	7.6	57.3	132	B148059	460/500	378	652
B100011	5.5	2937	400/690 Δ/Y	10.6	79.5	148	B148059	460/500	457	779
B100012	7.5	2940	400/690 Δ/Y	13.9	104.3	153	B148059	460/500	457	779
B100013	11	2930	400/690 Δ/Y	19.9	150.9	196	B149928	460/500	457	779
B100014	1.1	1440	230/400 Δ/Y	2.5	15.2	119	B148059	460/500	378	652
B100015	1.5	1445	230/400 Δ/Y	3.4	23.1	121	B148059	460/500	378	652
B100016	2.2	1440	230/400 Δ/Y	4.6	32.5	131	B148059	460/500	378	652
B100017	3	1440	230/400 Δ/Y	6.2	43.3	137	B148059	460/500	378	652

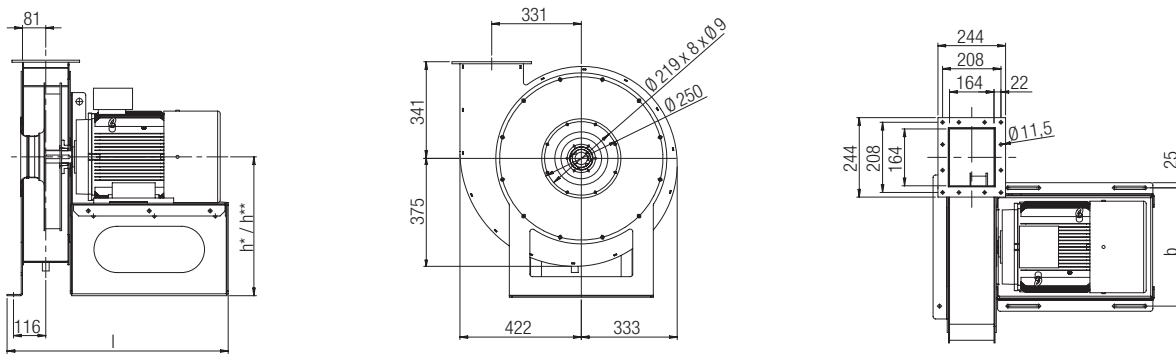
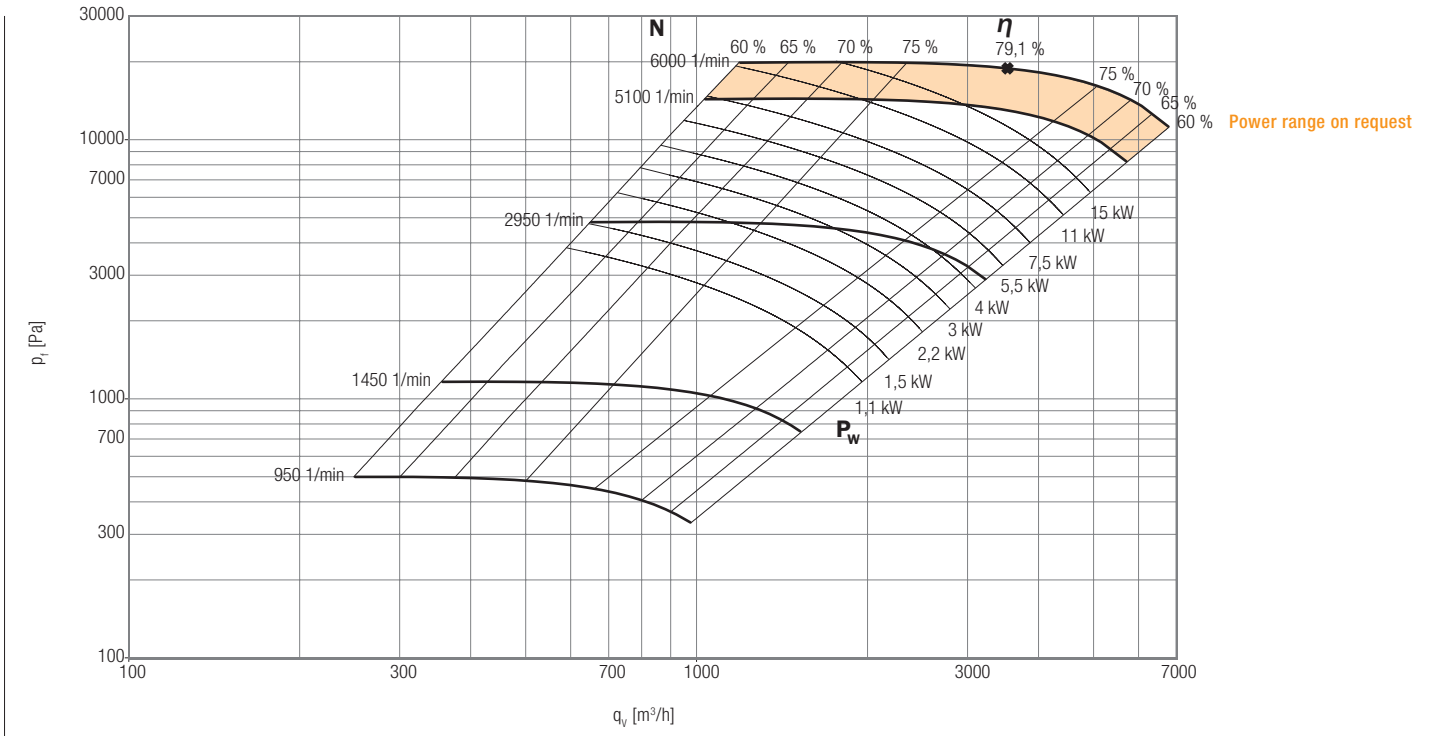
All indicated values for 400 V/50 Hz/3~.

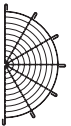
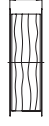
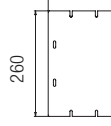







h*: Casing position: 0°, 90°

h**: Casing position: 270°

CREM01-28-0500 Centrifugal fan

Etecat by Pollrich DLK



- 
Z05 Protective grill suction side
 Ord. no. B101458
- 
Z10 Flexible sleeve round
 Ord. no. B101461
- 
Z13 Inspection hatch
 Ord. no. B240514
- 
Z16 Rubber anti vibration mounts (see below)
- 
Z18 Flange, round
 Ord. no. B101464
- 
Z19 Flange, square
 Ord. no. B101202
- 
Z45 Counter flange
 Ord. no. B101347
- 
Z63 Transition piece, square to round
 Ord. no. B101472
- 
Z81 Flexible sleeve square
 Ord. no. B101275
- 
Z89 Condensate drain
 Ord. no. B240506

Full specifications for accessoires, see page 122

CREM01-28-0500-B

Order no. Fan	Motor power output [kW]	Speed [1/min]	Voltage [V] Connection	Nominal current [A]	Starting current [A]	Weight ca. [kg]	Order no. Z16	h^*/h^{**} [mm]	b [mm]	l [mm]
B100018	5.5	2937	400/690 Δ/Y	10.6	79.5	163	B148059	500/545	496	840
B100019	7.5	2940	400/690 Δ/Y	13.9	104.3	168	B148059	500/545	496	840
B100020	11	2930	400/690 Δ/Y	19.8	151.2	211	B149928	500/545	496	840
B100021	15	2930	400/690 Δ/Y	26.6	204.4	237	B149928	500/545	496	840
B100022	1.1	1440	230/400 Δ/Y	2.5	15.2	134	B148059	500/545	372	620
B100023	1.5	1445	230/400 Δ/Y	3.3	23.1	136	B148059	500/545	372	620
B100024	2.2	1440	230/400 Δ/Y	4.6	32.5	146	B148059	500/545	372	620
B100025	3	1440	230/400 Δ/Y	6.1	43.3	152	B148059	500/545	372	620
B100026	4	1445	400/690 Δ/Y	8.1	60.9	157	B148059	500/545	372	620
B100027	5.5	1455	400/690 Δ/Y	10.9	69.8	168	B148059	500/545	496	840

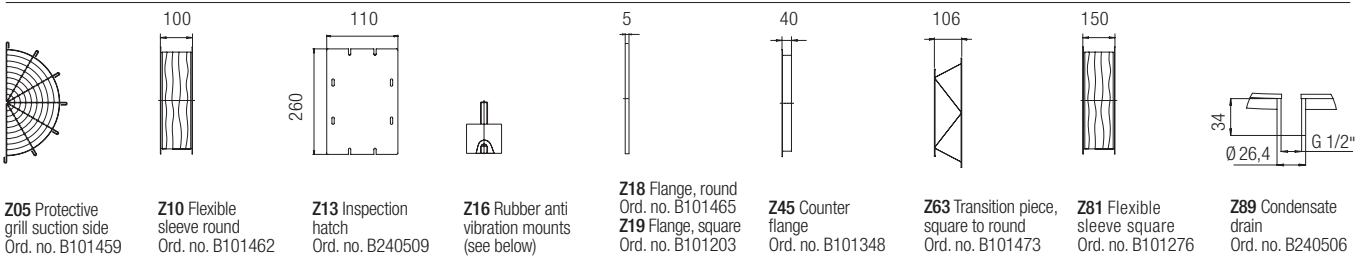
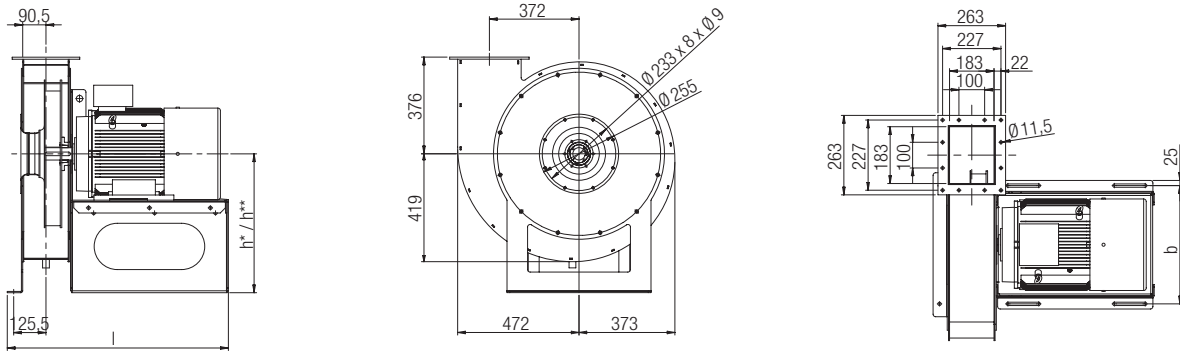
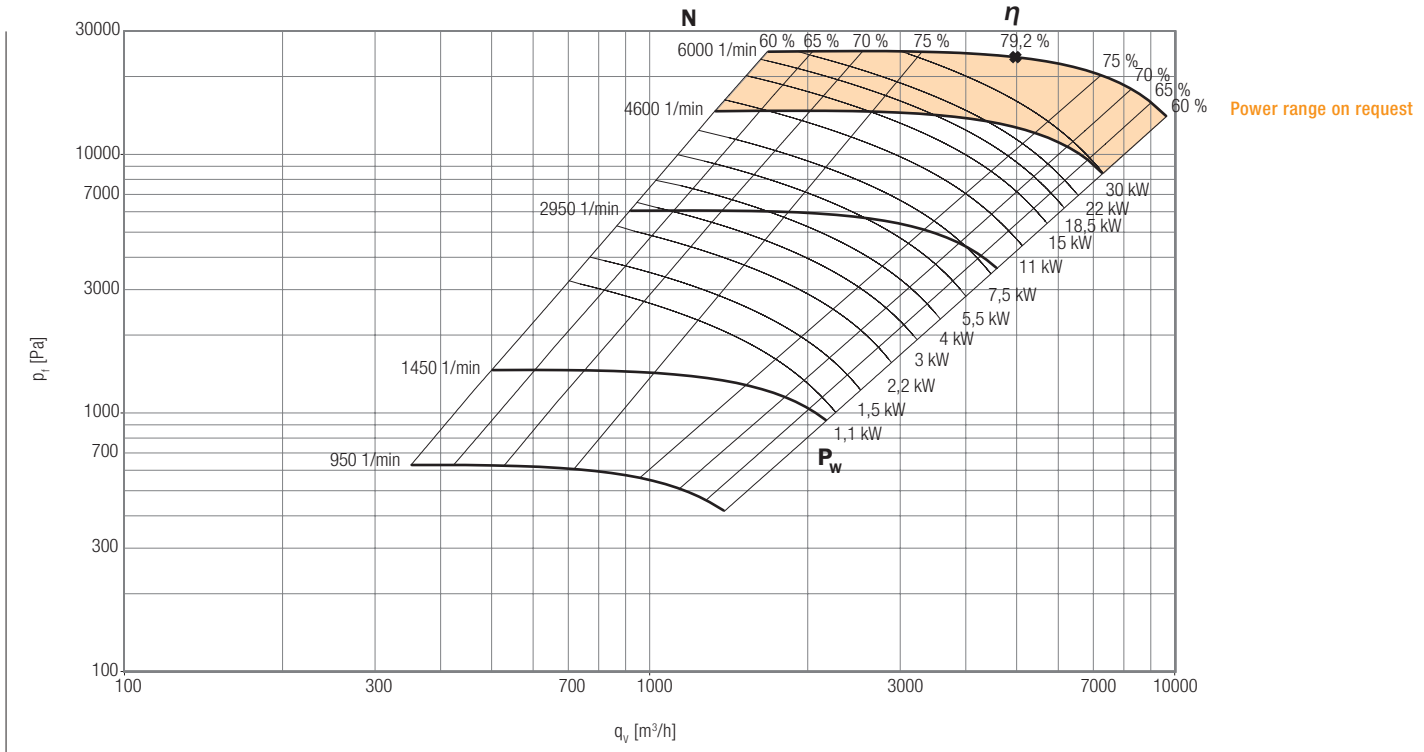
All indicated values for 400 V/50 Hz/3~.

h^* : Casing position: 0°, 90°

h^{**} : Casing position: 270°

CREM01-28-0560 Centrifugal fan

Etatec by Pollrich DLK



CREM01-28-0560-B

Full specifications for accessoires, see page 122

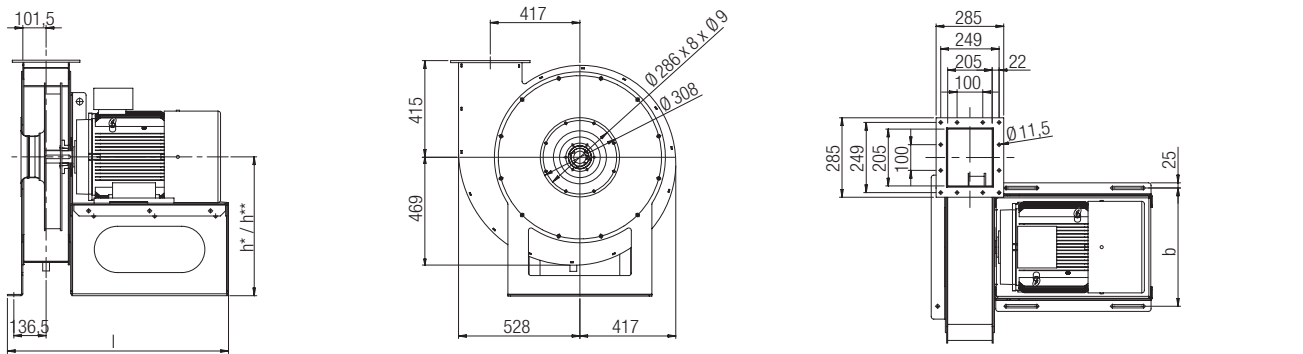
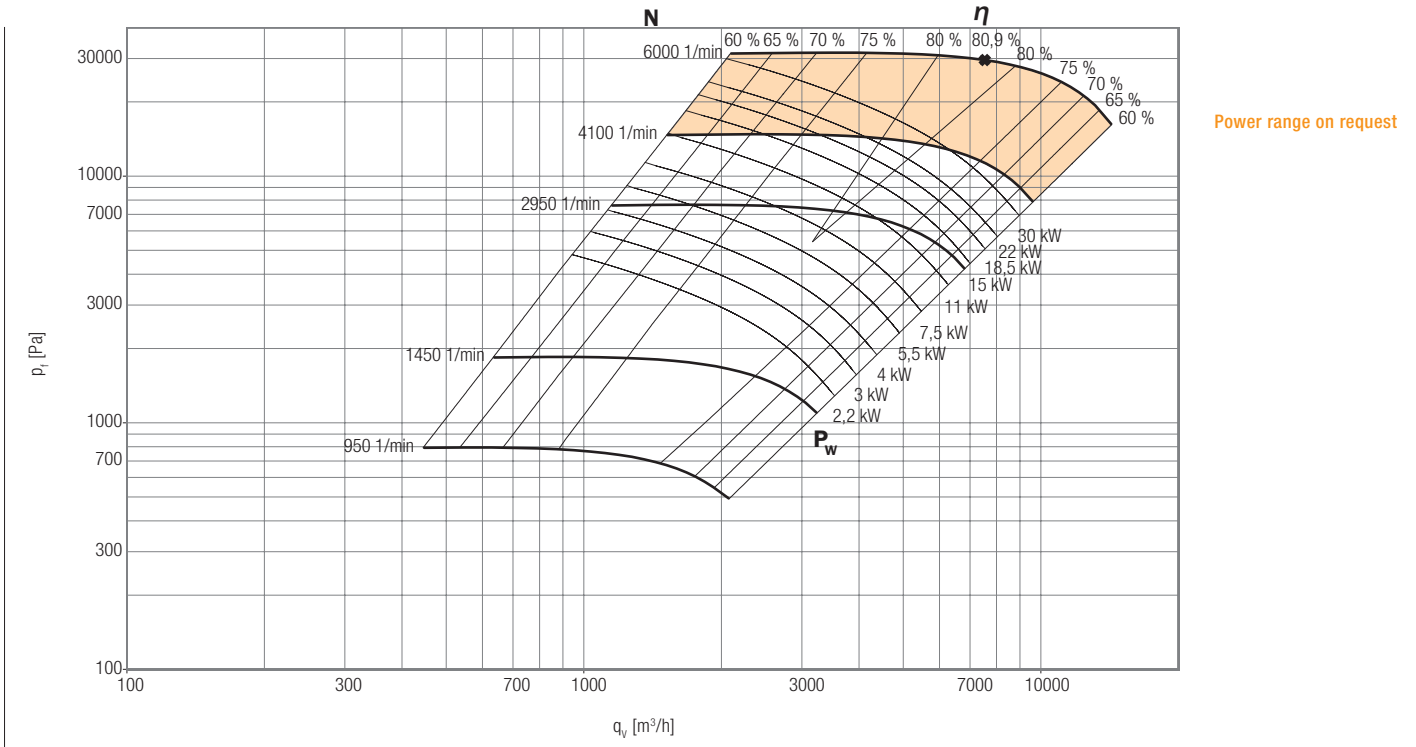
Order no. Fan	Motor power output [kW]	Speed [1/min]	Voltage [V] Connection	Nominal current [A]	Starting current [A]	Weight ca. [kg]	Order no. Z16	h* / h** [mm]	b [mm]	l [mm]
B100028	7.5	2940	400/690 Δ/Y	13.9	104.3	183	B149928	540/600	392	689
B100029	11	2930	400/690 Δ/Y	19.8	150.9	226	B149928	540/600	470	859
B100030	15	2930	400/690 Δ/Y	26.6	204.4	252	B149928	540/600	470	859
B100031	18.5	2937	400/690 Δ/Y	33.0	244.2	282	B149937	540/600	470	859
B100032	22	2940	400/690 Δ/Y	38.1	308.1	317	B149937	540/600	470	859
B100033	30	2950	400/690 Δ/Y	53.4	416.5	371	B149937	540/600	470	859
B100034	1.1	1440	230/400 Δ/Y	2.5	15.2	149	B148059	540/600	392	689
B100035	1.5	1445	230/400 Δ/Y	3.3	23.1	151	B148059	540/600	392	689
B100036	2.2	1440	230/400 Δ/Y	4.6	32.5	161	B148059	540/600	392	689
B100037	3	1440	230/400 Δ/Y	6.1	43.3	167	B148059	540/600	392	689
B100038	4	1445	400/690 Δ/Y	8.1	60.9	172	B148059	540/600	392	689
B100039	5.5	1455	400/690 Δ/Y	10.9	69.8	183	B149928	540/600	392	689
B100040	7.5	1455	400/690 Δ/Y	14.5	101.5	194	B149928	540/600	392	689

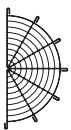

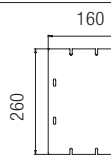





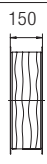

All indicated values for 400 V/50 Hz/3~.

h*: Casing position: 0°, 90° h**: Casing position: 270°

CREM01-28-0630 Centrifugal fan

Etetec by Pollrich DLK



- 
Z05 Protective grill suction side
 Ord. no. B151080
 - 
Z10 Flexible sleeve round
 Ord. no. B140894
 - 
Z13 Inspection hatch
 Ord. no. B240509
 - 
Z16 Rubber anti vibration mounts (see below)
 - 
Z18 Flange, round
 Ord. no. B101441
 - 
Z19 Flange, square
 Ord. no. B101204
 - 
Z45 Counter flange
 Ord. no. B101349
 - 
Z63 Transition piece, square to round
 Ord. no. B101474
 - 
Z81 Flexible sleeve square
 Ord. no. B101277
 - 
Z89 Condensate drain
 Ord. no. B240506
- Full specifications for accessories, see page 122

CREM01-28-0630-B

Order no. Fan	Motor power output [kW]	Speed [1/min]	Voltage [V] Connection	Nominal current [A]	Starting current [A]	Weight ca. [kg]	Order no. Z16	h* / h** [mm]	b [mm]	l [mm]
B100042	15	2930	400/690 Δ/Y	26.6	204.4	287	B149937	590/650	508	859
B100043	18.5	2937	400/690 Δ/Y	33.0	244.2	317	B149937	590/650	508	859
B100044	22	2940	400/690 Δ/Y	38.1	308.1	352	B149937	590/650	508	859
B100045	30	2950	400/690 Δ/Y	53.4	416.5	406	B149937	590/650	508	859
B100046	2.2	1440	230/400 Δ/Y	4.6	32.5	196	B149928	590/650	475	826
B100047	3	1440	230/400 Δ/Y	6.1	43.3	202	B149928	590/650	475	826
B100048	4	1445	400/690 Δ/Y	8.1	60.9	207	B149928	590/650	475	826
B100049	5.5	1455	400/690 Δ/Y	10.9	69.8	218	B149928	590/650	475	826
B100050	7.5	1455	400/690 Δ/Y	14.5	101.5	229	B149928	590/650	475	826
B100051	11	1460	400/690 Δ/Y	22.1	152.5	303	B149937	590/650	508	859
B100052	15	1460	400/690 Δ/Y	29.6	222.0	279	B149937	590/650	508	859

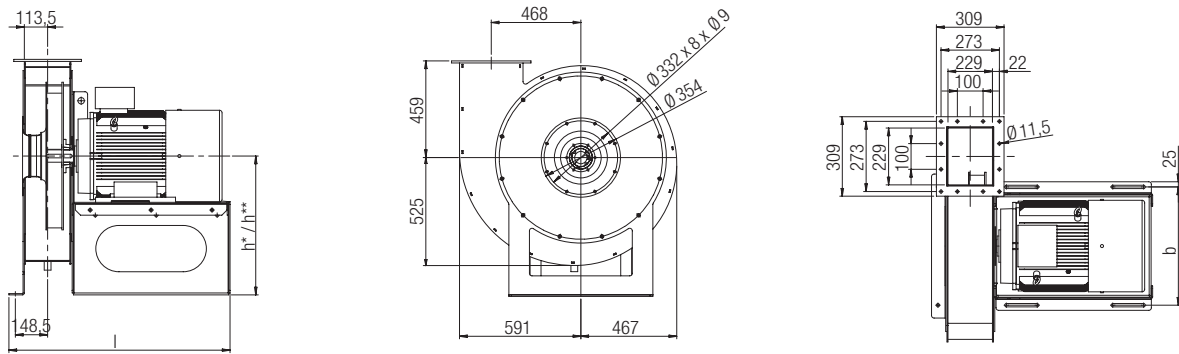
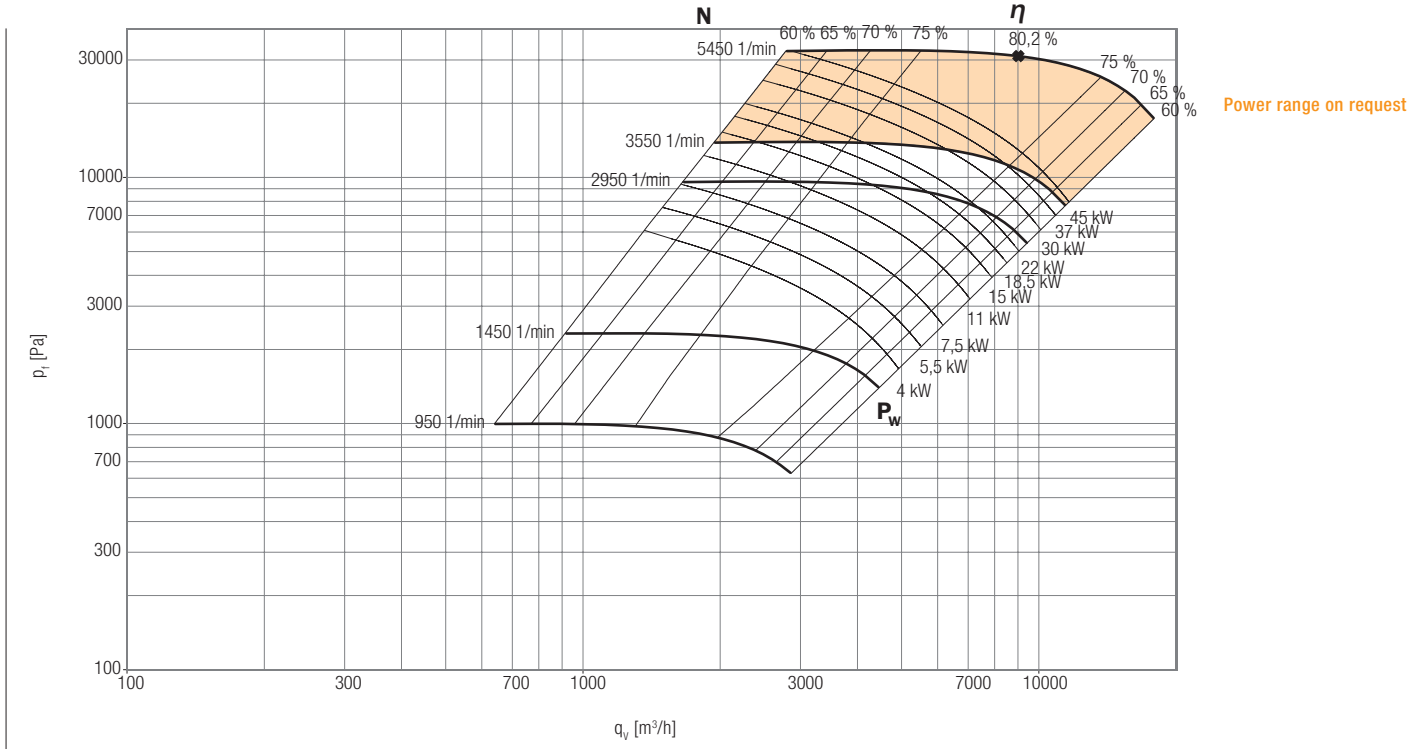
All indicated values for 400 V/50 Hz/3~.


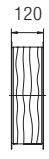
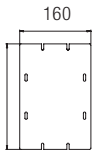





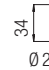
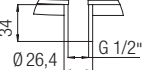
h*: Casing position: 0°, 90°

h**: Casing position: 270°

CREM01-28-0710 Centrifugal fan

Etatec by Pollrich DLK



- 
Z05 Protective grill suction side
 Ord. no. B151078
 - 
Z10 Flexible sleeve round
 Ord. no. B141027
 - 
Z13 Inspection hatch
 Ord. no. B240509
 - 
Z16 Rubber anti vibration mounts (see below)
 - 
Z18 Flange, round
 Ord. no. B101442
 - 
Z19 Flange, square
 Ord. no. B101205
 - 
Z45 Counter flange
 Ord. no. B101350
 - 
Z63 Transition piece, square to round
 Ord. no. B101475
 - 
Z81 Flexible sleeve square
 Ord. no. B101278
 - 
Z89 Condensate drain
 Ord. no. B240506
- Full specifications for accessoires, see page 122

CREM01-28-0710-B

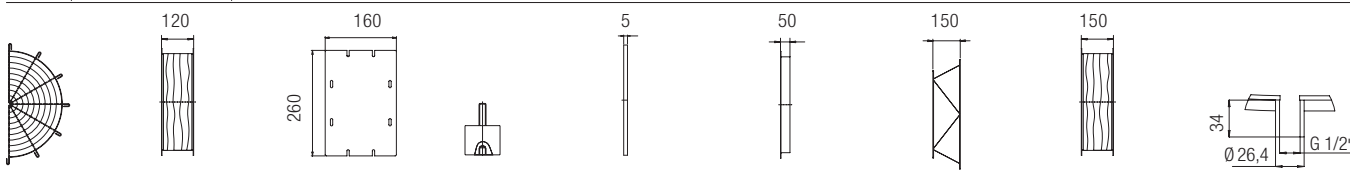
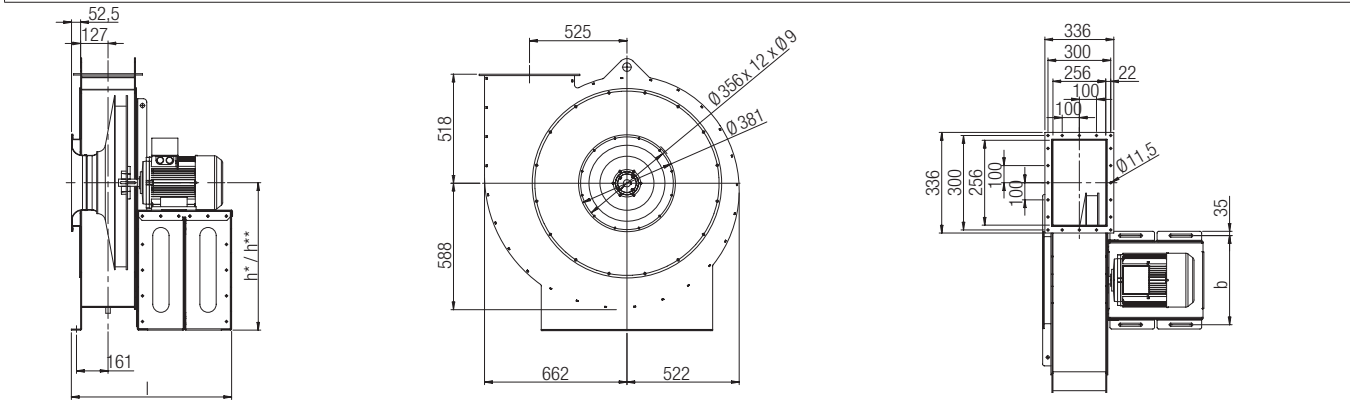
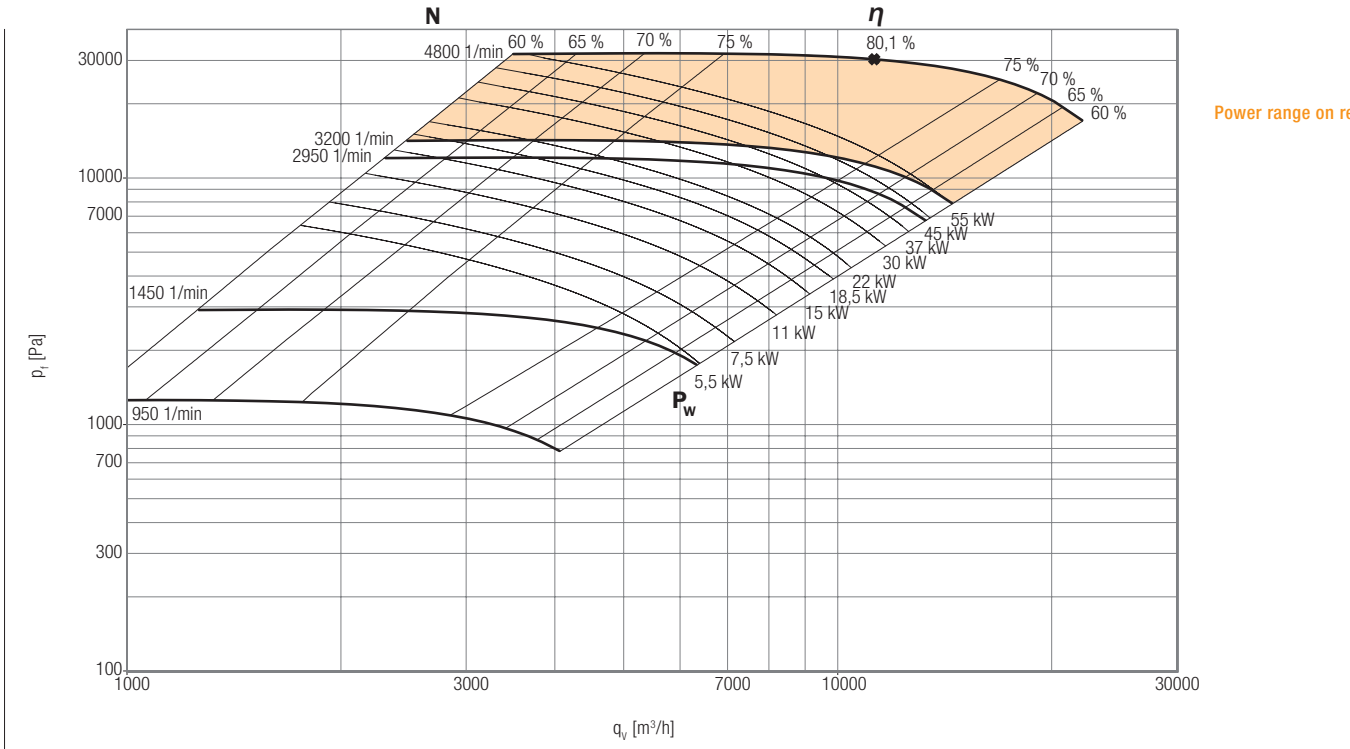
Order no. Fan	Motor power output [kW]	Speed [1/min]	Voltage [V] Connection	Nominal current [A]	Starting current [A]	Weight ca. [kg]	Order no. Z16	h* / h** [mm]	b [mm]	l [mm]
B100053	30	2950	400/690 Δ/Y	53.4	244.2	461	B149948	645/710	620	995
B100054	37	2950	400/690 Δ/Y	63.5	297.2	462	B149948	645/710	620	995
B100055	45	2960	400/690 Δ/Y	76.9	416.5	546	B149948	645/710	620	995
B100056	4	1445	400/690 Δ/Y	8.1	32.5	262	B149928	645/710	475	850
B100057	5.5	1455	400/690 Δ/Y	10.9	43.3	273	B149937	645/710	475	850
B100058	7.5	1455	400/690 Δ/Y	14.5	60.9	284	B149937	645/710	475	850
B100059	11	1460	400/690 Δ/Y	22.1	69.8	358	B149937	645/710	475	850
B100060	15	1460	400/690 Δ/Y	29.6	101.5	334	B149937	645/710	475	850
B100061	18.5	1470	400/690 Δ/Y	32.7	152.5	390	B149937	645/710	620	995
B100062	22	1470	400/690 Δ/Y	38.4	222.0	404	B149937	645/710	620	995

All indicated values for 400 V/50 Hz/3~.

h*: Casing position: 0°, 90° h**: Casing position: 270°

CREM01-28-0800 Centrifugal fan

Eatec by Pollrich DLK



- Z05** Protective grill suction side
Ord. no. B151076
- Z10** Flexible sleeve round
Ord. no. B141028
- Z13** Inspection hatch
Ord. no. B240509
- Z16** Rubber anti vibration mounts (see below)
- Z18** Flange, round
Ord. no. B101443
- Z19** Flange, square
Ord. no. B101206
- Z45** Counter flange
Ord. no. B101351
- Z63** Transition piece, square to round
Ord. no. B101476
- Z81** Flexible sleeve square
Ord. no. B101279
- Z89** Condensate drain
Ord. no. B240506

Full specifications for accessories, see page 122

CREM01-28-0800-B

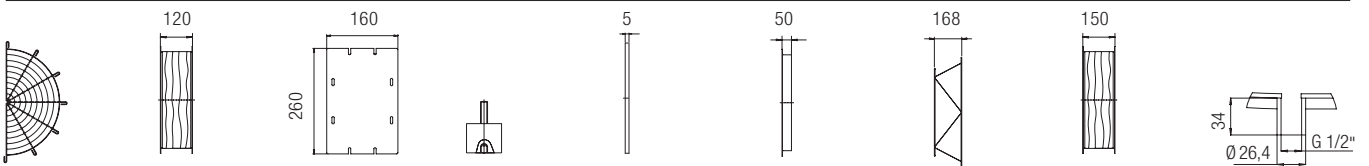
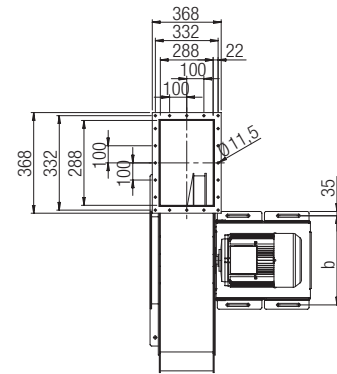
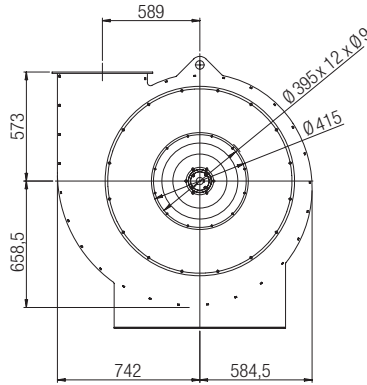
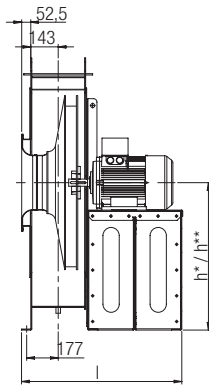
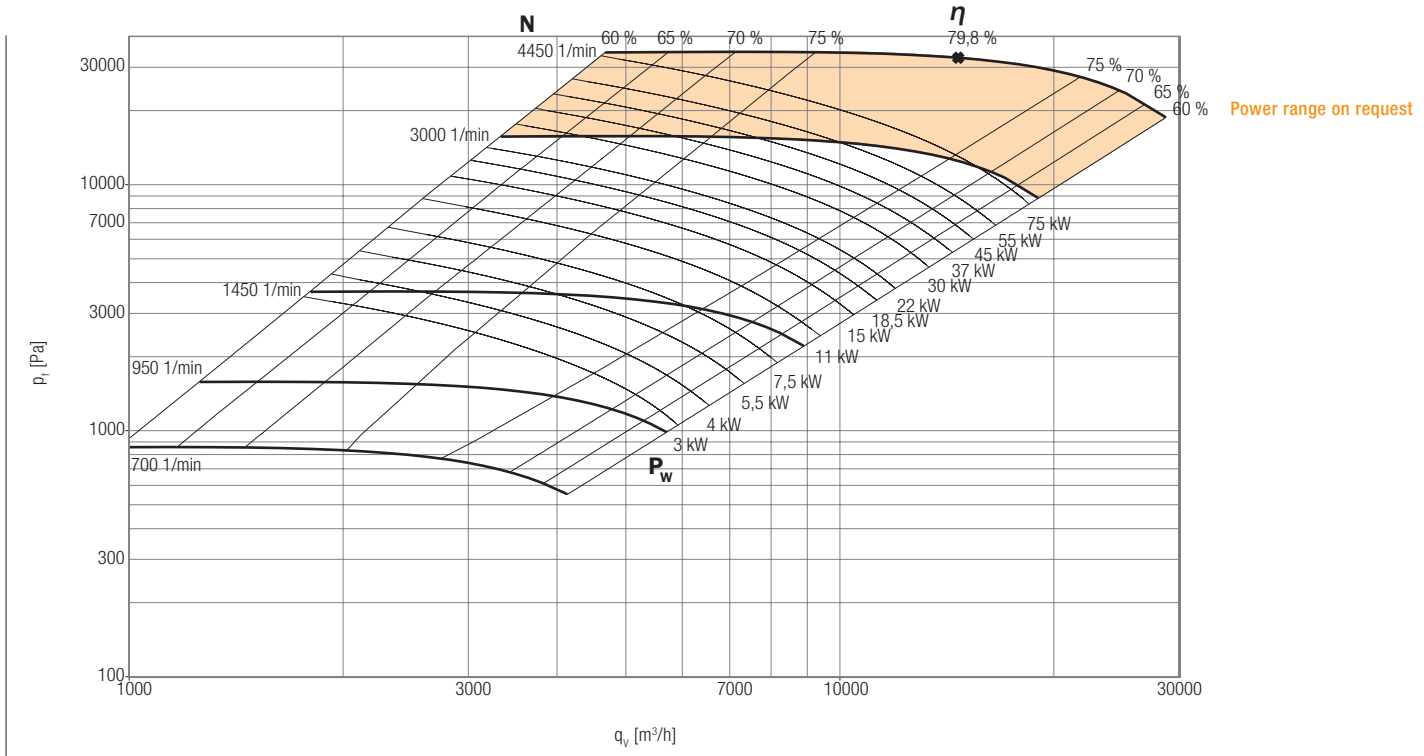
Order no. Fan	Motor power output [kW]	Speed [1/min]	Voltage [V] Connection	Nominal current [A]	Starting current [A]	Weight ca. [kg]	Order no. Z16	h* / h** [mm]	b [mm]	l [mm]
B100063	45	2960	400/690 Δ/Y	78.4	588.0	616	B149948	710/785	570	1040
B100064	55	2965	400/690 Δ/Y	94.5	671.0	672	B149948	710/785	570	1040
B100065	5.5	1455	400/690 Δ/Y	10.9	69.8	343	B149937	710/785	500	721
B100066	7.5	1455	400/690 Δ/Y	14.5	101.5	354	B149937	710/785	500	721
B100067	11	1460	400/690 Δ/Y	22.1	152.5	428	B149937	710/785	500	873
B100068	15	1460	400/690 Δ/Y	29.6	222.0	404	B149937	710/785	500	873
B100069	18.5	1470	400/690 Δ/Y	34.0	265.2	460	B149948	710/785	500	909
B100070	22	1470	400/690 Δ/Y	40.2	301.5	474	B149948	710/785	500	909
B100071	30	1470	400/690 Δ/Y	54.4	386.2	560	B149948	710/785	570	1000
B100072	37	1480	400/690 Δ/Y	66.2	496.5	600	B149948	710/785	570	1040
B100073	45	1480	400/690 Δ/Y	80.1	608.8	630	B149948	710/785	570	1040

All indicated values for 400 V/50 Hz/3~.

h*: Casing position: 0°, 90° h**: Casing position: 270°

CREM01-28-0900 Centrifugal fan

Etatec by Pollrich DLK



Z05 Protective grill suction side
Ord. no. B151074

Z10 Flexible sleeve round
Ord. no. B141029

Z13 Inspection hatch
Ord. no. B240509

Z16 Rubber anti vibration mounts (see below)

Z18 Flange, round
Ord. no. B101444
Z19 Flange, square
Ord. no. B101207

Z45 Counter flange
Ord. no. B101352

Z63 Transition piece, square to round
Ord. no. B101477

Z81 Flexible sleeve square
Ord. no. B101280

Z89 Condensate drain
Ord. no. B240506

CREM01-28-0900-B

Full specifications for accessoires, see page 122

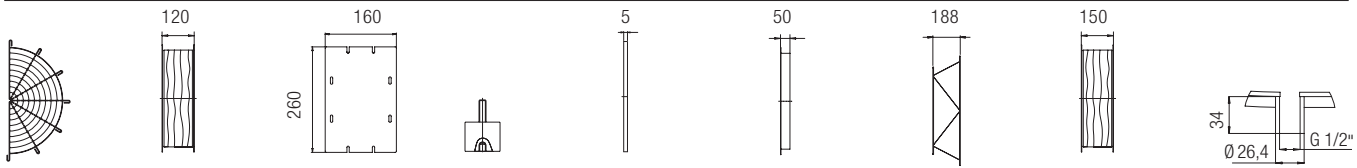
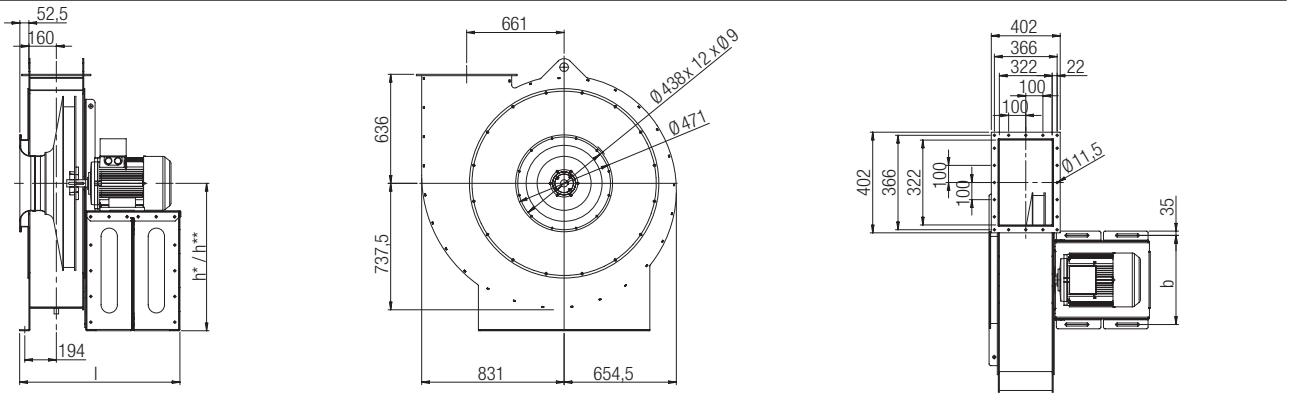
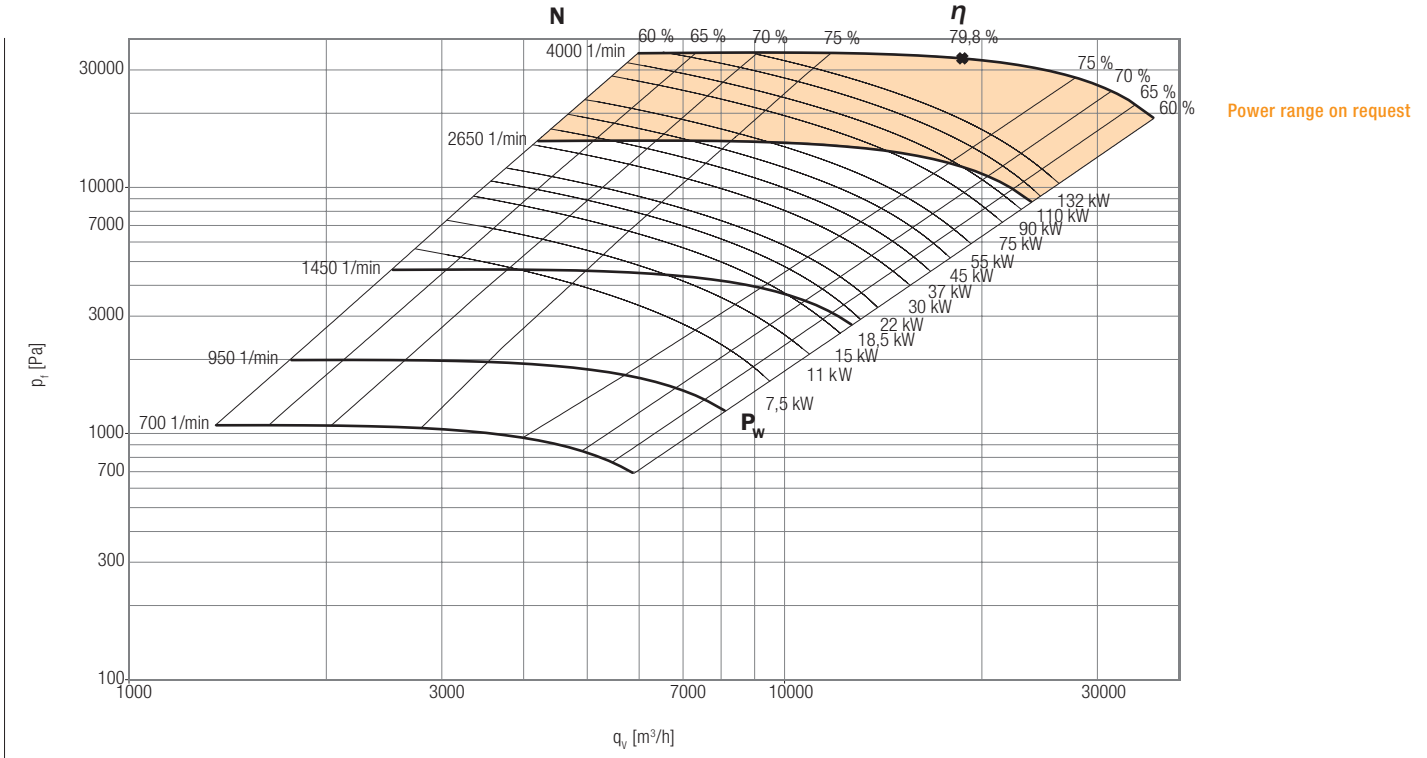
Order no. Fan	Motor power output [kW]	Speed [1/min]	Voltage [V] Connection	Nominal current [A]	Starting current [A]	Weight ca. [kg]	Order no. Z16	h* / h** [mm]	b [mm]	l [mm]
B100074	75	2970	400/690 Δ/Y	128.0	947.2	927	B149948	780/865	653.4	1198
B100075	90	2970	400/690 Δ/Y	152.0	1155.2	1067	B250291	780/865	653.4	1198
B100076	11	1460	400/690 Δ/Y	21.0	144.9	548	B149948	780/865	513	901
B100077	15	1460	400/690 Δ/Y	28.1	210.8	524	B149948	780/865	513	901
B100078	18.5	1470	400/690 Δ/Y	34.0	265.2	580	B149948	780/865	513	937
B100079	22	1470	400/690 Δ/Y	40.2	301.5	594	B149948	780/865	513	937
B100080	30	1470	400/690 Δ/Y	54.4	386.2	680	B149948	780/865	513	1028
B100081	37	1480	400/690 Δ/Y	66.2	496.5	720	B149948	780/865	653.4	1065
B100082	45	1480	400/690 Δ/Y	80.1	608.8	750	B149948	780/865	653.4	1065
B100085	3	964	230/400 Δ/Y	6.8	30.7	454	B149948	780/865	513	749
B100086	4	965	400/690 Δ/Y	8.9	44.8	463	B149948	780/865	513	749
B100087	5.5	965	400/690 Δ/Y	12.0	66.0	474	B149948	780/865	513	749
B100088	7.5	970	400/690 Δ/Y	15.9	103.4	510	B149948	780/865	513	901

All indicated values for 400 V/50 Hz/3~.

h*: Casing position: 0°, 90° h**: Casing position: 270°

CREM01-28-1000 Centrifugal fan

Eatec by Pollrich DLK



- Z05** Protective grill suction side
Ord. no. B151061
- Z10** Flexible sleeve round
Ord. no. B141030
- Z13** Inspection hatch
Ord. no. B240512
- Z16** Rubber anti vibration mounts (see below)
- Z18** Flange, round
Ord. no. B101445
- Z19** Flange, square
Ord. no. B101208
- Z45** Counter flange
Ord. no. B101353
- Z63** Transition piece, square to round
Ord. no. B101478
- Z81** Flexible sleeve square
Ord. no. B101281
- Z89** Condensate drain
Ord. no. B240506

Full specifications for accessoires, see page 122

CREM01-28-1000-B

Order no. Fan	Motor power output [kW]	Speed [1/min]	Voltage [V] Connection	Nominal current [A]	Starting current [A]	Weight ca. [kg]	Order no. Z16	h* / h** [mm]	b [mm]	l [mm]
B100090	110	2975	400/690 Δ/Y	185.0	1276.5	1482	B250291	860/955	714.4	1438
B100091	132	2975	400/690 Δ/Y	221.0	1569.1	1532	B250291	860/955	714.4	1438
B100092	15	1460	400/690 Δ/Y	28.1	210.8	644	B149948	860/955	520	935
B100093	18.5	1470	400/690 Δ/Y	34.0	265.2	700	B149948	860/955	520	971
B100094	22	1470	400/690 Δ/Y	40.2	301.5	714	B149948	860/955	520	971
B100095	30	1470	400/690 Δ/Y	54.4	386.2	800	B149948	860/955	520	1062
B100096	37	1480	400/690 Δ/Y	66.2	496.5	840	B149948	860/955	714.4	1102
B100097	45	1480	400/690 Δ/Y	80.1	608.8	870	B149948	860/955	714.4	1102
B100098	55	1480	400/690 Δ/Y	96.7	711.8	925	B250291	860/955	714.4	1163
B100099	75	1480	400/690 Δ/Y	132.0	1003.2	1045	B250291	860/955	714.4	1235
B100100	90	1480	400/690 Δ/Y	158.0	1185.0	1141	B250291	860/955	714.4	1235
B100102	7.5	970	400/690 Δ/Y	15.9	103.4	630	B149948	860/955	520	935
B100103	11	970	400/690 Δ/Y	22.9	171.8	679	B149948	860/955	520	935

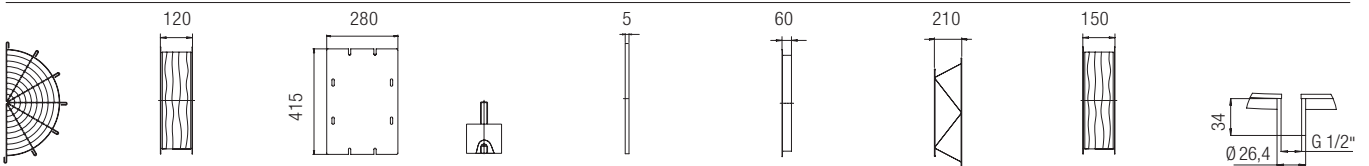
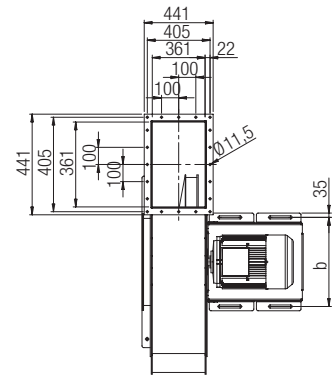
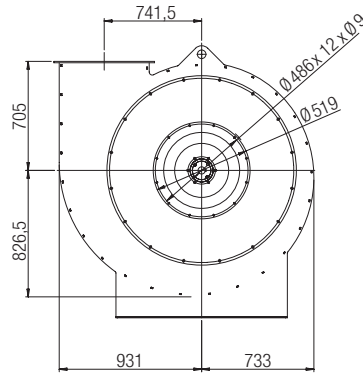
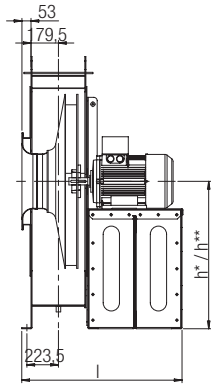
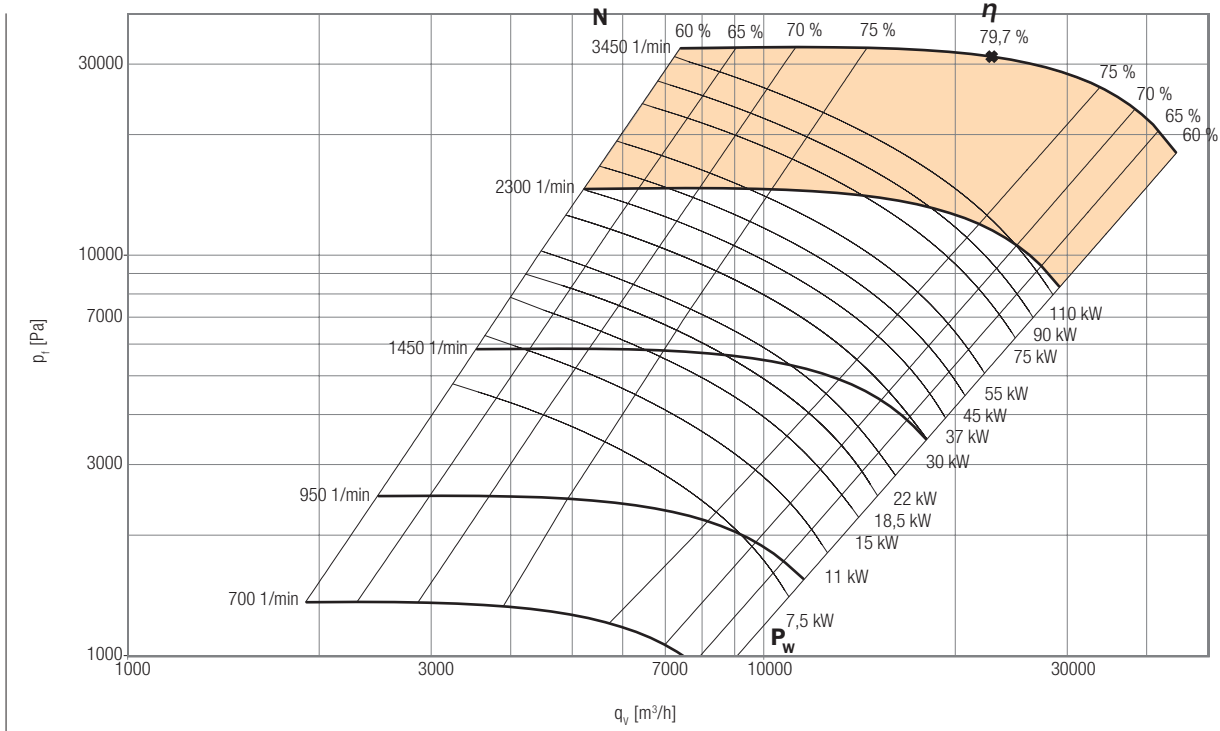
All indicated values for 400 V/50 Hz/3~.

h*: Casing position: 0°, 90°

h**: Casing position: 270°

CREM01-28-1120 Centrifugal fan

Etatec by Pollrich DLK



Z05 Protective grill suction side
Ord. no. B151081

Z10 Flexible sleeve round
Ord. no. B141031

Z13 Inspection hatch
Ord. no. B240512

Z16 Rubber anti vibration mounts (see below)

Z18 Flange, round
Ord. no. B101446

Z19 Flange, square
Ord. no. B101209

Z45 Counter flange
Ord. no. B101354

Z63 Transition piece, square to round
Ord. no. B101479

Z81 Flexible sleeve square
Ord. no. B101282

Z89 Condensate drain
Ord. no. B240506

Full specifications for accessoires, see page 122

CREM01-28-1120-B

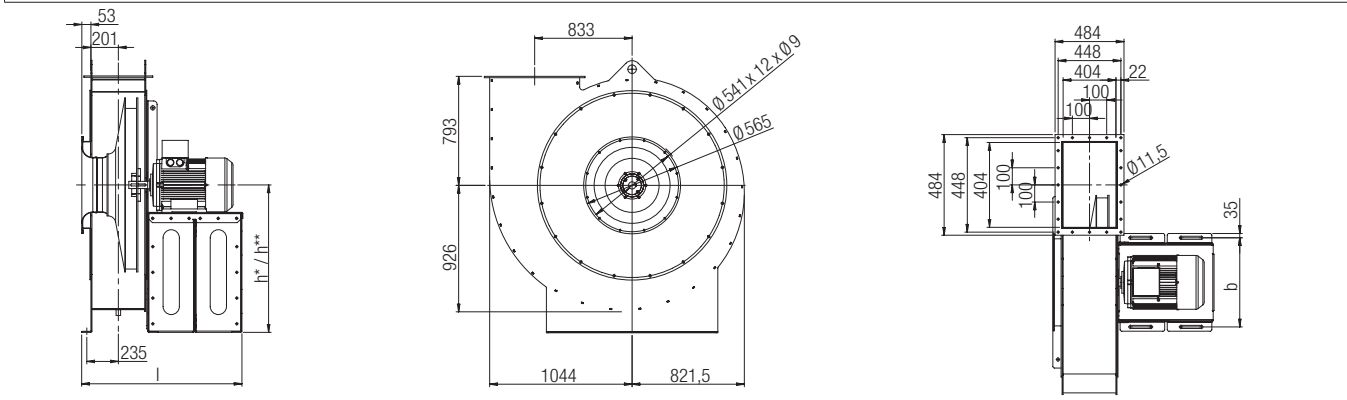
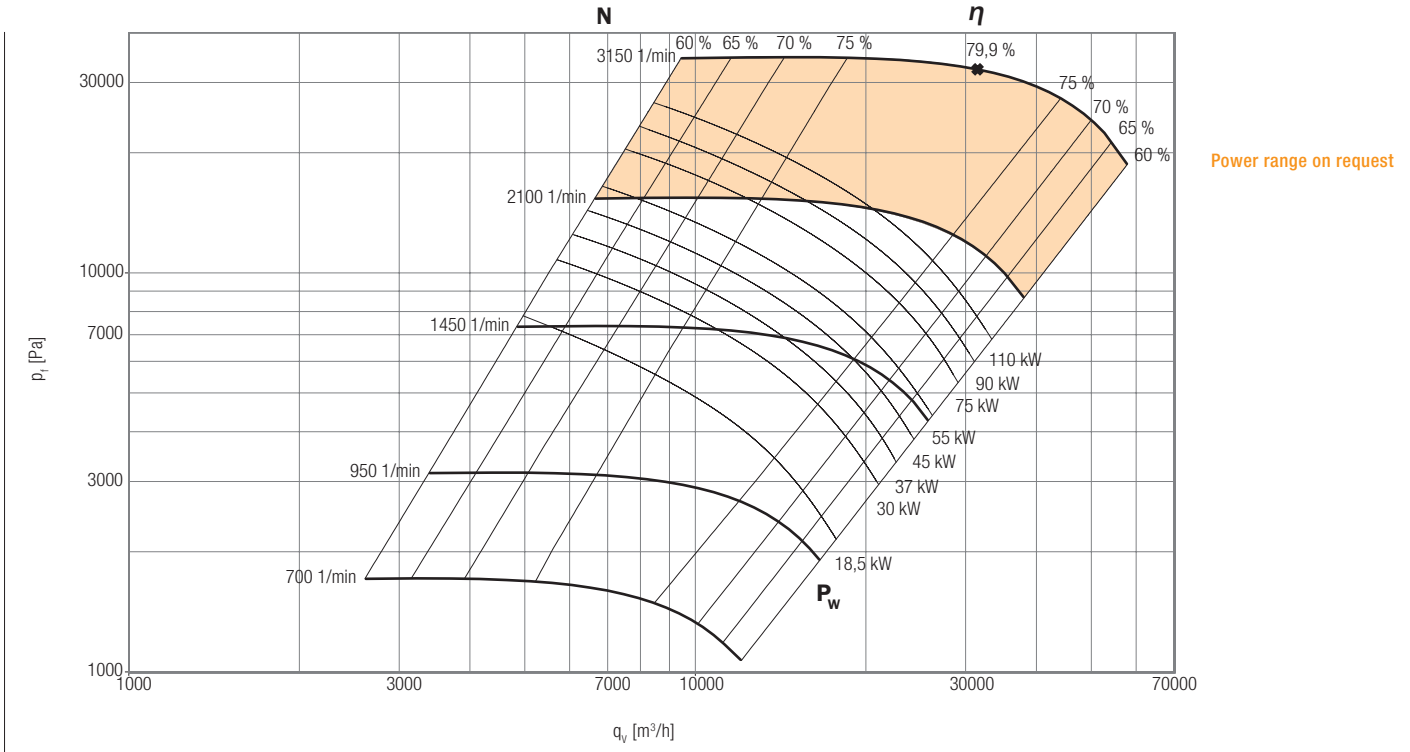
Order no. Fan	Motor power output [kW]	Speed [1/min]	Voltage [V] Connection	Nominal current [A]	Starting current [A]	Weight ca. [kg]	Order no. Z16	h* / h** [mm]	b [mm]	l [mm]
B100105	30	1470	400/690 Δ/Y	54.4	386.2	890	B149948	950/1055	560	1118
B100106	37	1480	400/690 Δ/Y	66.2	496.5	930	B250291	950/1055	560	1158
B100107	45	1480	400/690 Δ/Y	80.1	608.8	960	B250291	950/1055	560	1158
B100108	55	1480	400/690 Δ/Y	97.5	711.8	1015	B250291	950/1055	786.6	1219
B100109	75	1480	400/690 Δ/Y	132.0	1003.2	1135	B250291	950/1055	786.6	1291
B100110	90	1480	400/690 Δ/Y	158.0	1185.0	1231	B250291	950/1055	786.6	1291
B100111	110	1485	400/690 Δ/Y	191.0	1356.1	1570	B250291	950/1055	786.6	1494
B100112	18.5	980	400/690 Δ/Y	36.4	254.8	820	B149948	950/1055	560	1118
B100113	22	980	400/690 Δ/Y	42.0	294.0	848	B149948	950/1055	560	1118
B100114	30	980	400/690 Δ/Y	56.2	365.3	916	B149948	950/1055	560	1158
B100115	7.5	720	400/690 Δ/Y	16.9	101.4	707	B149948	950/1055	560	991
B100116	11	730	400/690 Δ/Y	23.8	142.8	780	B149948	950/1055	560	1027
B100117	15	730	400/690 Δ/Y	32.4	213.8	848	B149948	950/1055	560	1118

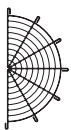

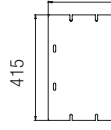





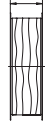

All indicated values for 400 V/50 Hz/3~.

h*: Casing position: 0°, 90° h**: Casing position: 270°

CREM01-28-1250 Centrifugal fan

Eatec by Pollrich DLK



- 
Z05 Protective grill suction side
 Ord. no. B151068
 - 
Z10 Flexible sleeve round
 Ord. no. B141032
 - 
Z13 Inspection hatch
 Ord. no. B240512
 - 
Z16 Rubber anti vibration mounts (see below)
 - 
Z18 Flange, round
 Ord. no. B101447
 - 
Z19 Flange, square
 Ord. no. B101210
 - 
Z45 Counter flange
 Ord. no. B101355
 - 
Z63 Transition piece, square to round
 Ord. no. B101480
 - 
Z81 Flexible sleeve square
 Ord. no. B101283
 - 
Z89 Condensate drain
 Ord. no. B240506
- Full specifications for accessoires, see page 122

CREM01-28-1250-B

Order no. Fan	Motor power output [kW]	Speed [1/min]	Voltage [V] Connection	Nominal current [A]	Starting current [A]	Weight ca. [kg]	Order no. Z16	h* / h** [mm]	b [mm]	l [mm]
B100119	45	1480	400/690 Δ/Y	80.1	608.8	1161	B250291	1050/1165	758	1184
B100120	55	1480	400/690 Δ/Y	96.7	711.8	1216	B250291	1050/1165	758	1245
B100121	75	1480	400/690 Δ/Y	131.0	1003.2	1336	B250291	1050/1165	758	1317
B100122	90	1480	400/690 Δ/Y	157.0	1185.0	1432	B250291	1050/1165	758	1317
B100123	110	1485	400/690 Δ/Y	191.0	1356.1	1771	B250291	1050/1165	758	1520
B100124	30	980	400/690 Δ/Y	56.2	365.3	1138	B250291	1050/1165	758	1184
B100125	37	980	400/690 Δ/Y	66.9	464.4	1218	B250291	1050/1165	758	1245
B100126	45	980	400/690 Δ/Y	80.4	570.5	1334	B250291	1050/1165	758	1317
B100127	18.5	730	400/690 Δ/Y	39.0	257.4	1063	B250291	1050/1165	758	1184

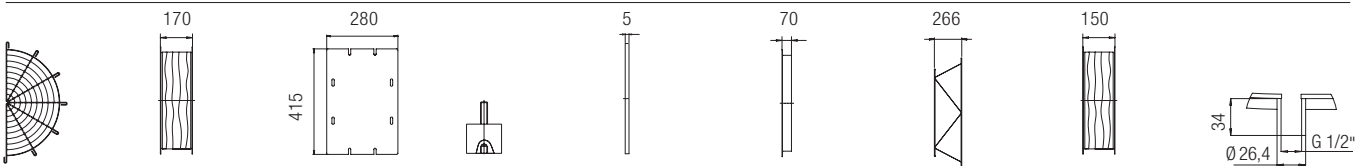
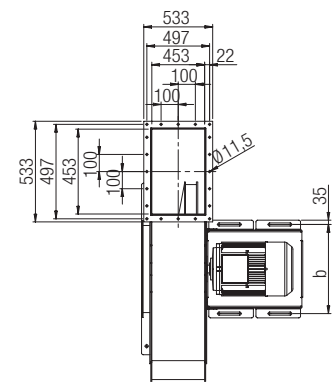
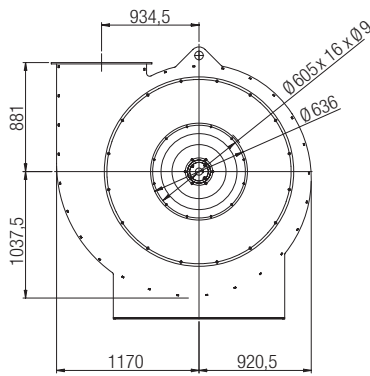
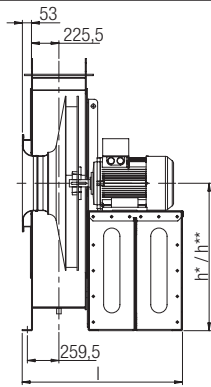
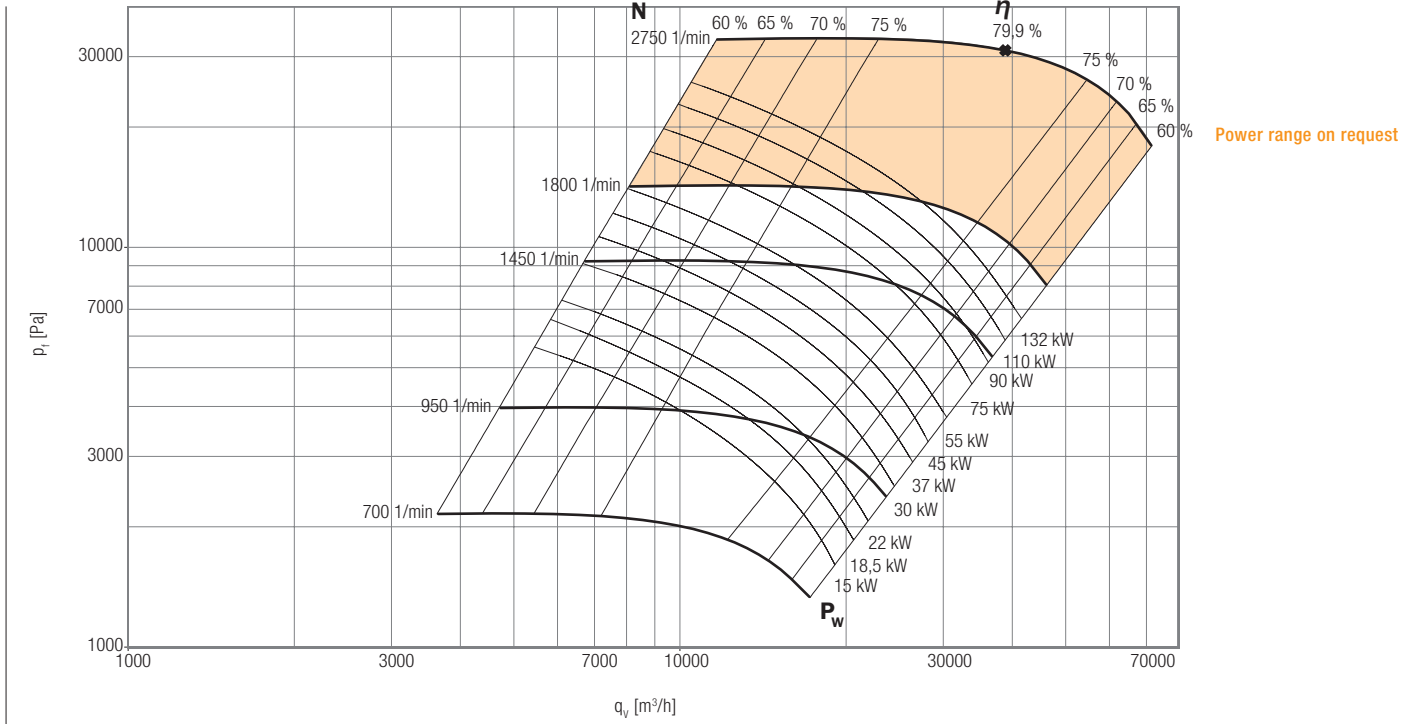
All indicated values for 400 V/50 Hz/3-.

h*: Casing position: 0°, 90°

h**: Casing position: 270°

CREM01-28-1400 Centrifugal fan

Etatec by Pollrich DLK



Z05 Protective grill suction side
Ord. no. B151066

Z10 Flexible sleeve round
Ord. no. B141033

Z13 Inspection hatch
Ord. no. B240512

Z16 Rubber anti vibration mounts (see below)

Z18 Flange, round
Ord. no. B101448

Z19 Flange, square
Ord. no. B101211

Z45 Counter flange
Ord. no. B101356

Z63 Transition piece, square to round
Ord. no. B101481

Z81 Flexible sleeve square
Ord. no. B101284

Z89 Condensate drain
Ord. no. B240506

Full specifications for accessoires, see page 122

CREM01-28-1400-B

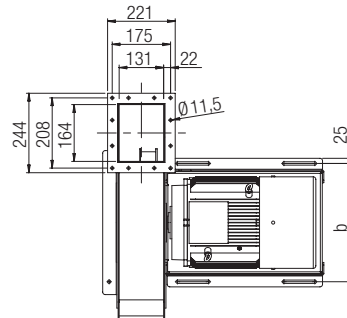
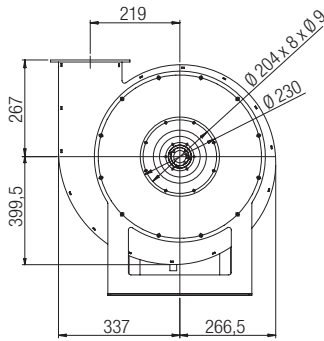
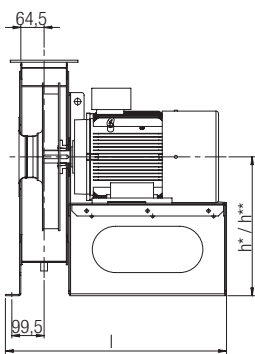
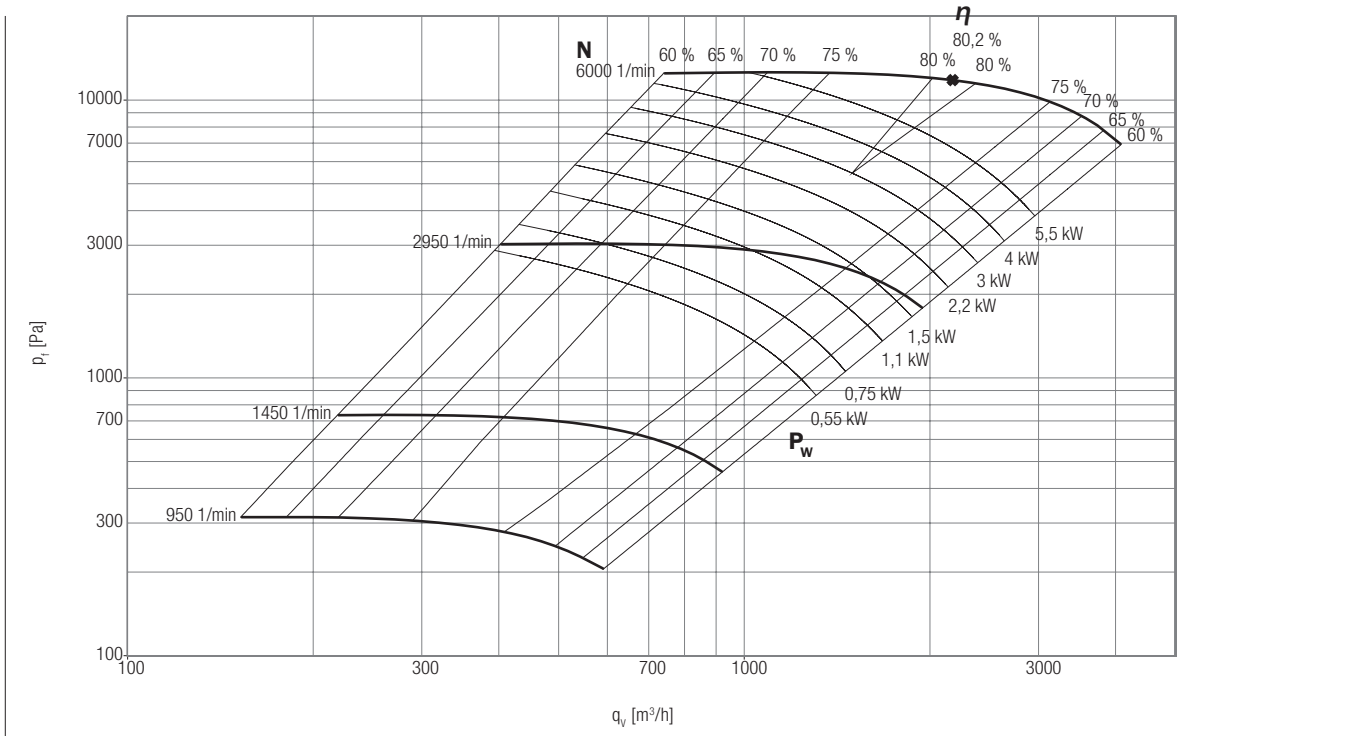
Order no.	Motor power output [kW]	Speed [1/min]	Voltage [V] Connection	Nominal current [A]	Starting current [A]	Weight ca. [kg]	Order no.	h* / h** [mm]	b [mm]	l [mm]
B100128	75	1480	400/690 Δ/Y	132.0	1003.2	1450	B250291	1160/1290	764	1368
B100129	90	1480	400/690 Δ/Y	158.0	1185.0	1546	B250291	1160/1290	764	1368
B100130	110	1485	400/690 Δ/Y	191.0	1356.1	1885	B250291	1160/1290	764	1571
B100131	132	1485	400/690 Δ/Y	228.0	1664.4	1972	B250291	1160/1290	764	1571
B100132	18.5	980	400/690 Δ/Y	36.4	254.8	1135	B250291	1160/1290	574	1195
B100133	22	980	400/690 Δ/Y	42.0	294.0	1163	B250291	1160/1290	574	1195
B100134	30	980	400/690 Δ/Y	56.2	365.3	1231	B250291	1160/1290	574	1235
B100135	37	980	400/690 Δ/Y	67.3	464.4	1315	B250291	1160/1290	760	1296
B100136	45	980	400/690 Δ/Y	81.5	570.5	1425	B250291	1160/1290	760	1368
B100137	55	980	400/690 Δ/Y	99.2	704.3	1480	B250291	1160/1290	760	1368
B100138	75	985	400/690 Δ/Y	134.0	978.2	1850	B250291	1160/1290	760	1571
B100139	15	730	400/690 Δ/Y	32.4	213.8	1163	B250291	1160/1290	574	1195
B100140	18.5	730	400/690 Δ/Y	39.0	257.4	1177	B250291	1160/1290	574	1235

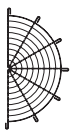

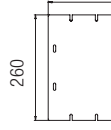





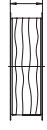

All indicated values for 400 V/50 Hz/3~.

h*: Casing position: 0°, 90° h**: Casing position: 270°

CREM01-31-0400 Centrifugal fan

Eatec by Pollrich DLK



- 
Z05 Protective grill suction side
 Ord. no. B101457
 - 
Z10 Flexible sleeve round
 Ord. no. B101460
 - 
Z13 Inspection hatch
 Ord. no. B240514
 - 
Z16 Rubber anti vibration mounts (see below)
 - 
Z18 Flange, round
 Ord. no. B101463
 - 
Z19 Flange, square
 Ord. no. B101212
 - 
Z45 Counter flange
 Ord. no. B101357
 - 
Z63 Transition piece, square to round
 Ord. no. B101482
 - 
Z81 Flexible sleeve square
 Ord. no. B101285
 - 
Z89 Condensate drain
 Ord. no. B240506
- Full specifications for accessoires, see page 122

CREM01-31-0400-B

Order no. Fan	Motor power output [kW]	Speed [1/min]	Voltage [V] Connection	Nominal current [A]	Starting current [A]	Weight ca. [kg]	Order no. Z16	h* / h** [mm]	b [mm]	l [mm]
B100141	1.5	2890	230/400 Δ/Y	3.1	22.4	80	B149380	420/460	418	537
B100142	2.2	2890	230/400 Δ/Y	4.4	30.9	84	B149380	420/460	418	537
B100143	3	2891	230/400 Δ/Y	5.8	46.9	91	B149380	420/460	418	537
B100144	4	2914	400/690 Δ/Y	7.6	57.3	94	B149380	420/460	418	620
B100145	5.5	2937	400/690 Δ/Y	10.6	79.5	110	B149380	420/460	418	620
B100146	0.55	1390	230/400 Δ/Y	1.4	7.8	75	B149380	420/460	418	537
B100147	0.75	1400	230/400 Δ/Y	1.7	8.9	77	B149380	420/460	418	537
B100148	1.1	1440	230/400 Δ/Y	2.5	15.2	81	B149380	420/460	418	537
B100149	1.5	1445	230/400 Δ/Y	3.3	23.1	83	B149380	420/460	418	537

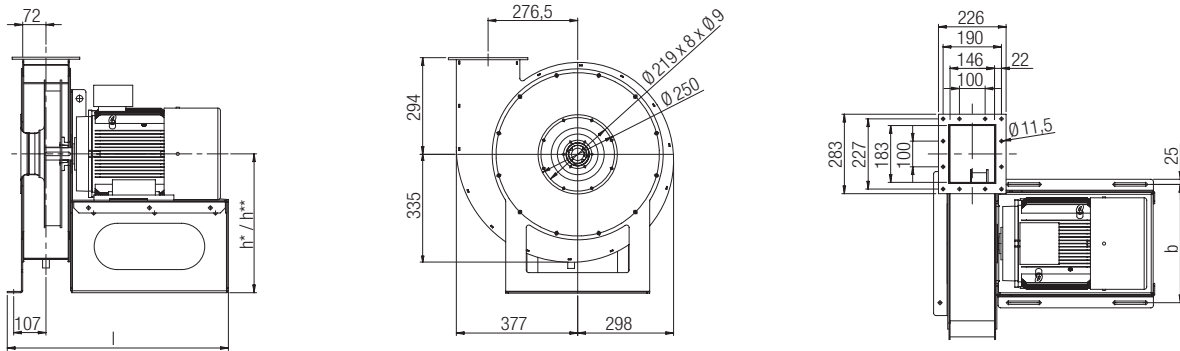
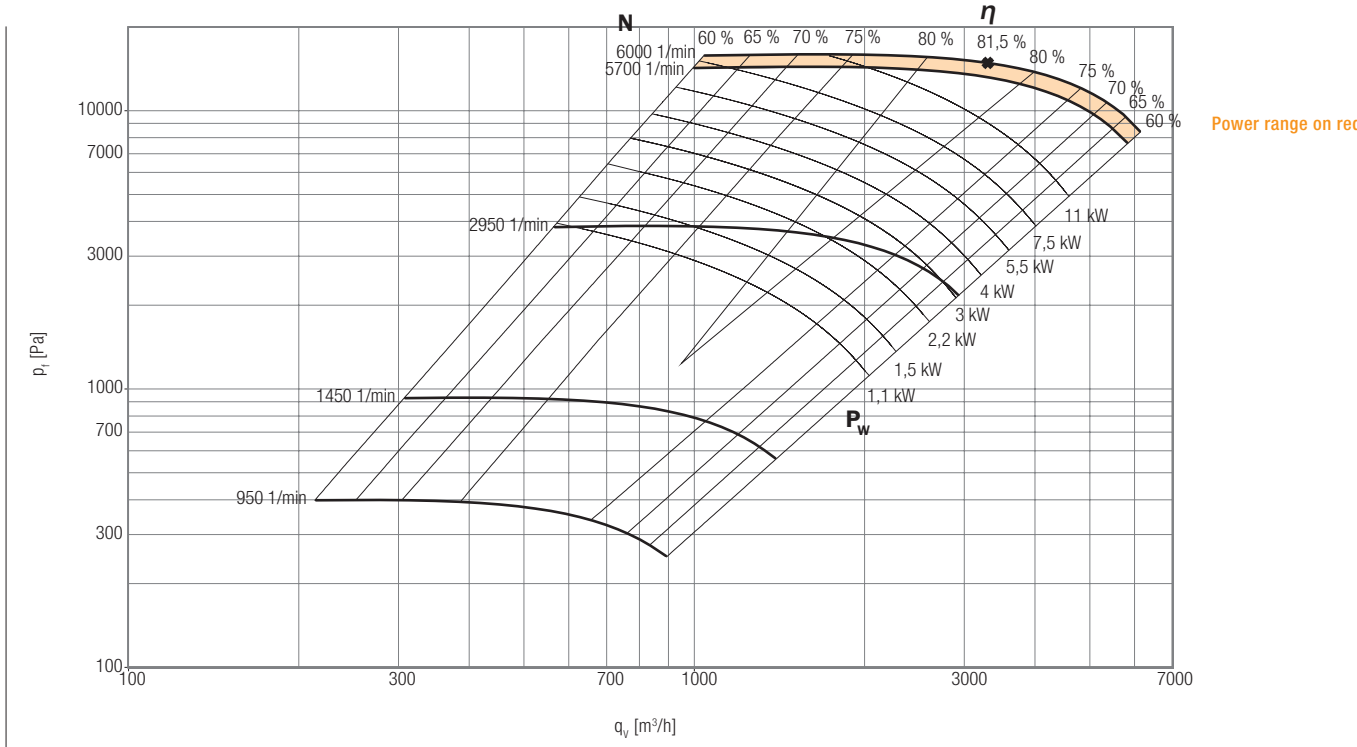
All indicated values for 400 V/50 Hz/3~.

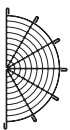
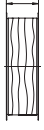
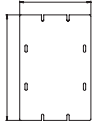




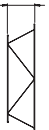

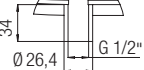
h*: Casing position: 0°, 90°

h**: Casing position: 270°

CREM01-31-0450 Centrifugal fan

Etatec by Pollrich DLK



- 
Z05 Protective grill suction side
Ord. no. B101458
 - 
Z10 Flexible sleeve round
Ord. no. B101461
 - 
Z13 Inspection hatch
Ord. no. B240514
 - 
Z16 Rubber anti vibration mounts (see below)
 - 
Z18 Flange, round
Ord. no. B101464
 - 
Z19 Flange, square
Ord. no. B101213
 - 
Z45 Counter flange
Ord. no. B101358
 - 
Z63 Transition piece, square to round
Ord. no. B101483
 - 
Z81 Flexible sleeve square
Ord. no. B101286
 - 
Z89 Condensate drain
Ord. no. B240506
- Full specifications for accessoires, see page 122

CREM01-31-0450-B

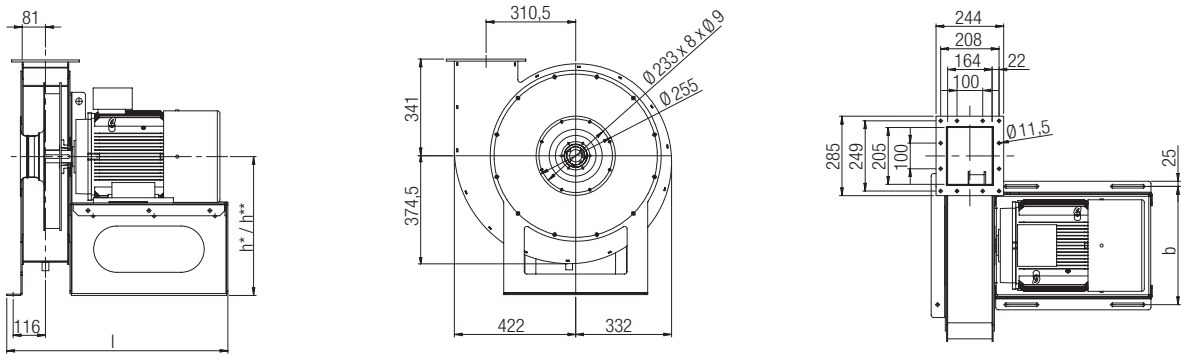
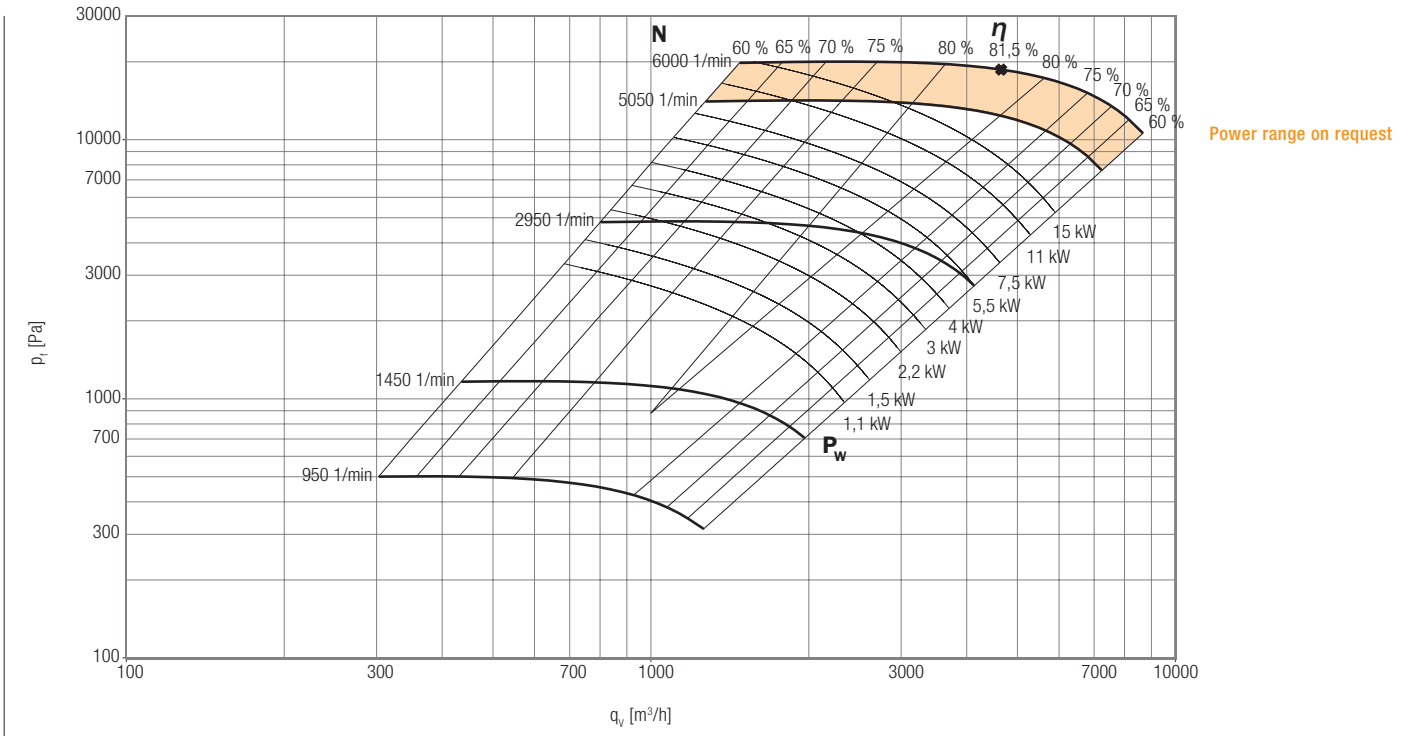
Fan	Order no.	Motor power output [kW]	Speed [1/min]	Voltage [V] Connection	Nominal current [A]	Starting current [A]	Weight ca. [kg]	Order no. Z16	h* / h** [mm]	b [mm]	l [mm]
B100150	B148059	3	2891	230/400 Δ/Y	5.8	46.9	129	B148059	460/500	378	652
B100151	B148059	4	2914	400/690 Δ/Y	7.6	57.3	132	B148059	460/500	378	652
B100152	B148059	5.5	2937	400/690 Δ/Y	10.6	79.5	148	B148059	460/500	457	779
B100153	B148059	7.5	2940	400/690 Δ/Y	13.9	104.3	153	B148059	460/500	457	779
B100154	B149928	11	2930	400/690 Δ/Y	19.9	151.2	196	B149928	460/500	457	779
B100155	B148059	1.1	1440	230/400 Δ/Y	2.5	15.2	119	B148059	460/500	378	652
B100156	B148059	1.5	1445	230/400 Δ/Y	3.3	23.1	121	B148059	460/500	378	652
B100157	B148059	2.2	1440	230/400 Δ/Y	4.6	32.5	131	B148059	460/500	378	652
B100158	B148059	3	1440	230/400 Δ/Y	6.1	43.3	137	B148059	460/500	378	652

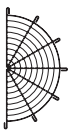

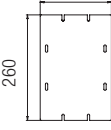





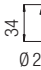
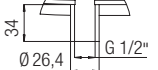
All indicated values for 400 V/50 Hz/3~.

h*: Casing position: 0°, 90° h**: Casing position: 270°

CREM01-31-0500 Centrifugal fan

Etetec by Pollrich DLK



- 
Z05 Protective grill suction side
 Ord. no. B101459
- 
Z10 Flexible sleeve round
 Ord. no. B101462
- 
Z13 Inspection hatch
 Ord. no. B240514
- 
Z16 Rubber anti vibration mounts (see below)
- 
Z18 Flange, round
 Ord. no. B101465
- 
Z19 Flange, square
 Ord. no. B101214
- 
Z45 Counter flange
 Ord. no. B101359
- 
Z63 Transition piece, square to round
 Ord. no. B101484
- 
Z81 Flexible sleeve square
 Ord. no. B101287
- 
Z89 Condensate drain
 Ord. no. B240506

Full specifications for accessoires, see page 122

CREM01-31-0500-B

Order no. Fan	Motor power output [kW]	Speed [1/min]	Voltage [V] Connection	Nominal current [A]	Starting current [A]	Weight ca. [kg]	Order no. Z16	h* / h** [mm]	b [mm]	l [mm]
B100159	5.5	2937	400/690 Δ/Y	10.6	79.5	163	B148059	500/545	496	840
B100160	7.5	2940	400/690 Δ/Y	13.9	104.3	168	B148059	500/545	496	840
B100161	11	2930	400/690 Δ/Y	19.8	151.2	211	B149928	500/545	496	840
B100162	15	2930	400/690 Δ/Y	26.6	204.4	237	B149928	500/545	496	840
B100163	1.1	1440	230/400 Δ/Y	2.5	15.2	134	B148059	500/545	392	675
B100164	1.5	1445	230/400 Δ/Y	3.3	23.1	136	B148059	500/545	392	675
B100165	2.2	1440	230/400 Δ/Y	4.6	32.5	146	B148059	500/545	392	675
B100166	3	1440	230/400 Δ/Y	6.1	43.3	152	B148059	500/545	392	675
B100167	4	1445	400/690 Δ/Y	8.1	60.9	157	B148059	500/545	392	675
B100168	5.5	1455	400/690 Δ/Y	10.9	69.8	168	B148059	500/545	496	840

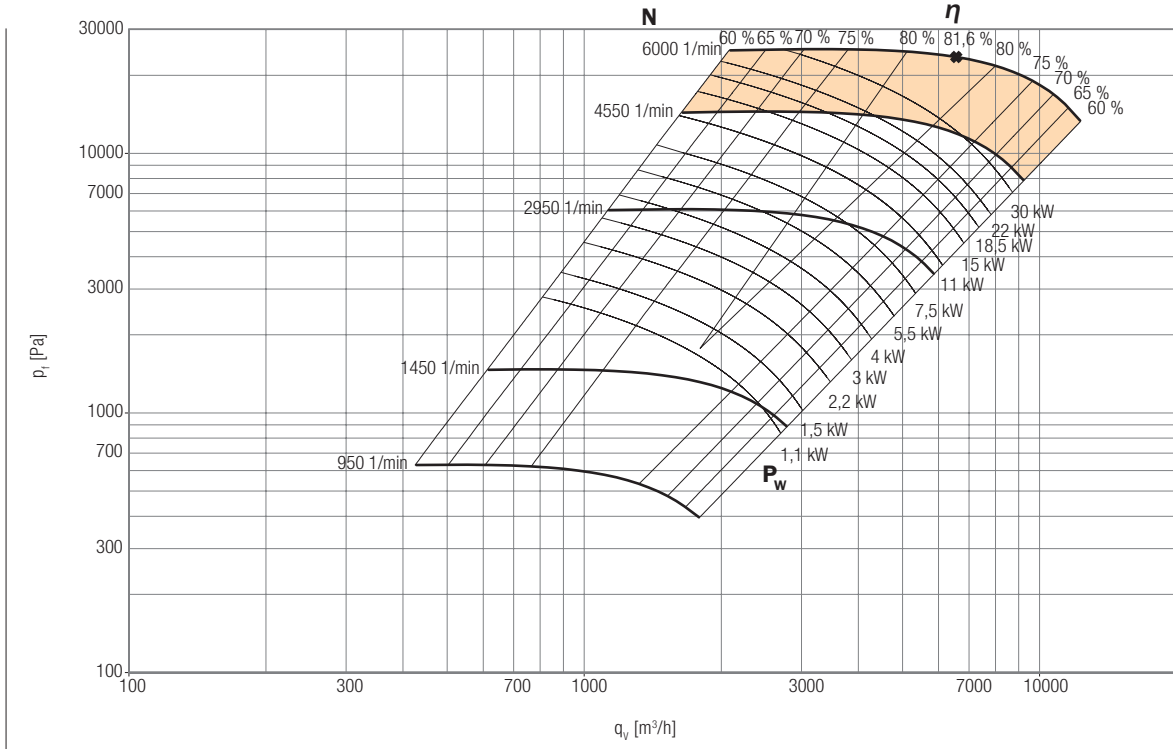
All indicated values for 400 V/50 Hz/3~.

h*: Casing position: 0°, 90°

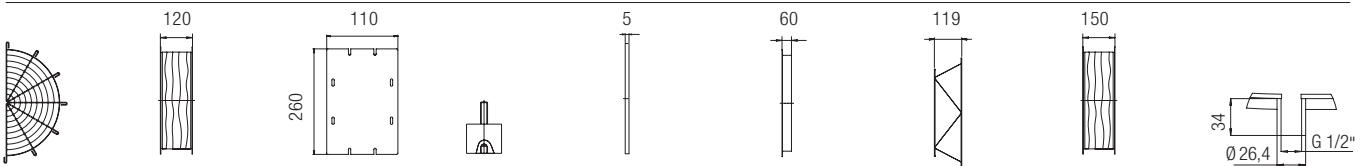
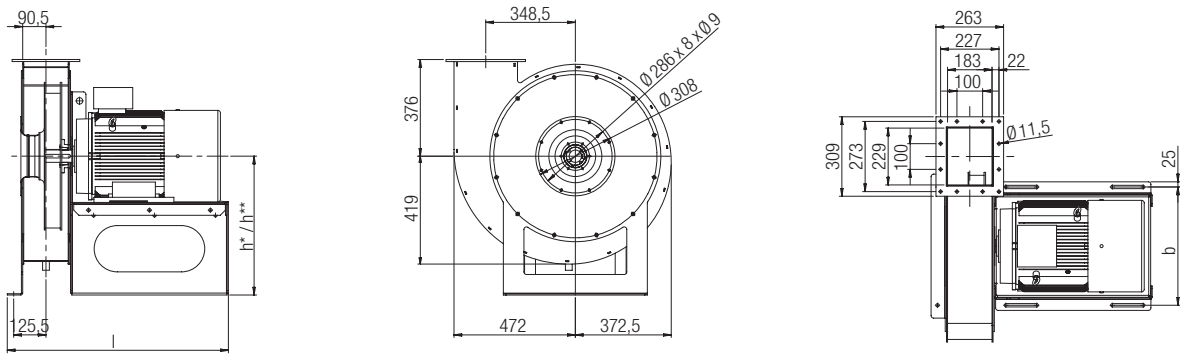
h**: Casing position: 270°

CREM01-31-0560 Centrifugal fan

Etatec by Pollrich DLK



Power range on request



Z05 Protective grill suction side
Ord. no. B151080

Z10 Flexible sleeve round
Ord. no. B140894

Z13 Inspection hatch
Ord. no. B240509

Z16 Rubber anti vibration mounts
(see below)

Z18 Flange, round
Ord. no. B101441
Z19 Flange, square
Ord. no. B101215

Z45 Counter flange
Ord. no. B101360

Z63 Transition piece, square to round
Ord. no. B101485

Z81 Flexible sleeve square
Ord. no. B101288

Z89 Condensate drain
Ord. no. B240506

CREM01-31-0560-B

Full specifications for accessoires, see page 122

Order no. Fan	Motor power output [kW]	Speed [1/min]	Voltage [V] Connection	Nominal current [A]	Starting current [A]	Weight ca. [kg]	Order no. Z16	h* / h** [mm]	b [mm]	l [mm]
B100169	7.5	2940	400/690 Δ/Y	13.9	104.3	183	B149928	540/600	392	689
B100170	11	2930	400/690 Δ/Y	19.9	151.2	226	B149928	540/600	470	859
B100171	15	2930	400/690 Δ/Y	26.9	204.4	252	B149928	540/600	470	859
B100172	18.5	2937	400/690 Δ/Y	33.0	244.2	282	B149937	540/600	470	859
B100173	22	2940	400/690 Δ/Y	39.5	308.1	317	B149937	540/600	470	859
B100174	30	2950	400/690 Δ/Y	53.4	416.5	371	B149937	540/600	470	859
B100175	1.1	1440	230/400 Δ/Y	2.5	15.2	149	B148059	540/600	392	689
B100176	1.5	1445	230/400 Δ/Y	3.3	23.1	151	B148059	540/600	392	689
B100177	2.2	1440	230/400 Δ/Y	4.6	32.5	161	B148059	540/600	392	689
B100178	3	1440	230/400 Δ/Y	6.1	43.3	167	B148059	540/600	392	689
B100179	4	1445	400/690 Δ/Y	8.1	60.9	172	B148059	540/600	392	689
B100180	5.5	1455	400/690 Δ/Y	10.9	69.8	183	B149928	540/600	392	689
B100181	7.5	1455	400/690 Δ/Y	14.5	101.5	194	B149928	540/600	392	689

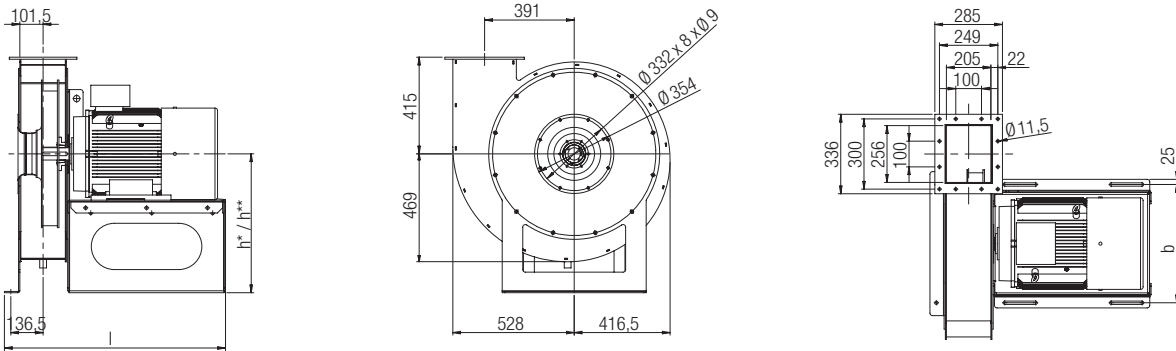
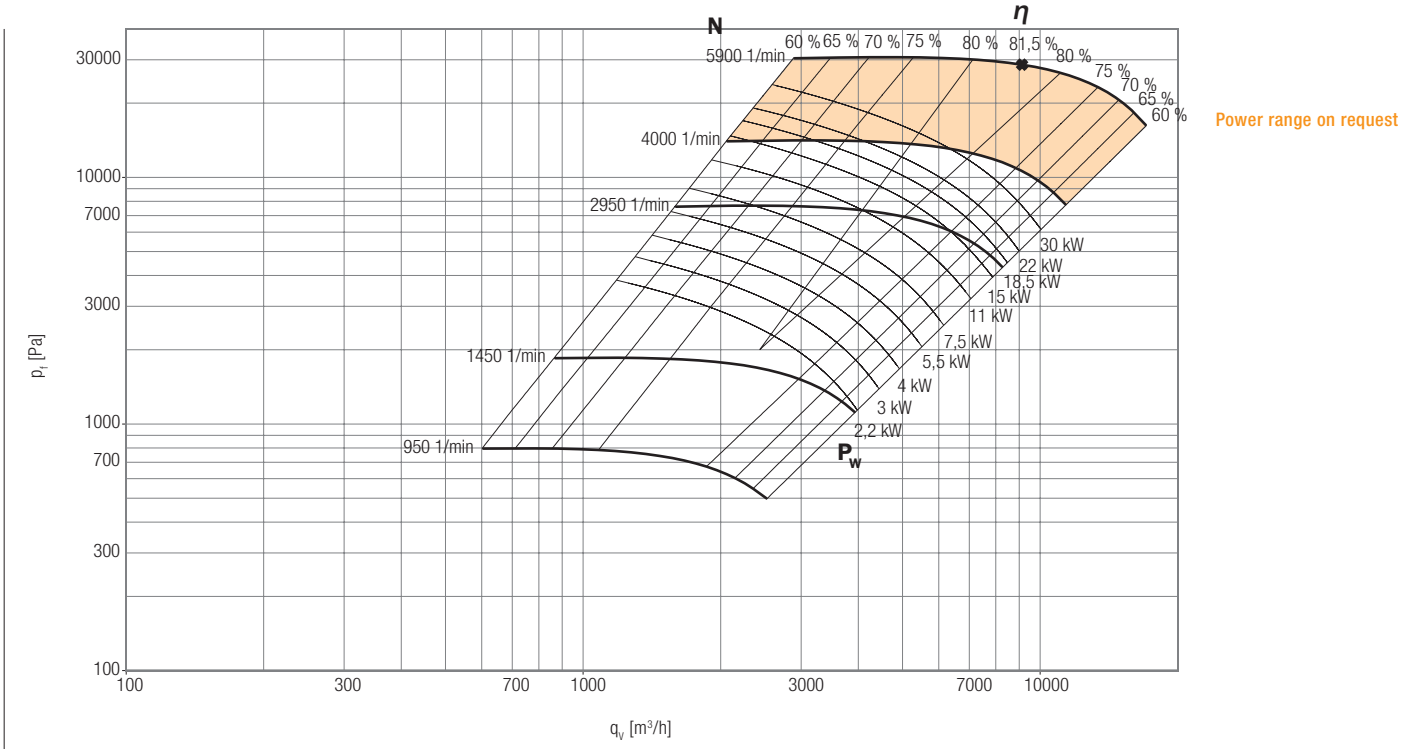
All indicated values for 400 V/50 Hz/3~.

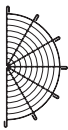

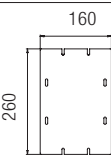




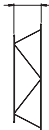


h*: Casing position: 0°, 90°

h**: Casing position: 270°

CREM01-31-0630 Centrifugal fan

Eatec by Pollrich DLK



- 
Z05 Protective grill suction side
 Ord. no. B151078
 - 
Z10 Flexible sleeve round
 Ord. no. B141027
 - 
Z13 Inspection hatch
 Ord. no. B240509
 - 
Z16 Rubber anti vibration mounts (see below)
 - 
Z18 Flange, round
 Ord. no. B101442
 - 
Z19 Flange, square
 Ord. no. B101216
 - 
Z45 Counter flange
 Ord. no. B101361
 - 
Z63 Transition piece, square to round
 Ord. no. B101486
 - 
Z81 Flexible sleeve square
 Ord. no. B101289
 - 
Z89 Condensate drain
 Ord. no. B240506
- Full specifications for accessories, see page 122

CREM01-31-0630-B

Order no. Fan	Motor power output [kW]	Speed [1/min]	Voltage [V] Connection	Nominal current [A]	Starting current [A]	Weight ca. [kg]	Order no. Z16	h* / h** [mm]	b [mm]	l [mm]
B100186	30	2950	400/690 Δ/Y	53.4	416.5	406	B149937	590/650	508	859
B100185	22	2940	400/690 Δ/Y	39.5	308.1	352	B149937	590/650	508	859
B100184	18.5	2937	400/690 Δ/Y	33.0	244.2	317	B149937	590/650	508	859
B100183	15	2930	400/690 Δ/Y	26.9	204.4	287	B149937	590/650	508	859
B100193	15	1460	400/690 Δ/Y	29.6	222.0	279	B149937	590/650	508	859
B100192	11	1460	400/690 Δ/Y	22.1	152.5	303	B149937	590/650	508	859
B100191	7.5	1455	400/690 Δ/Y	14.5	101.5	229	B149928	590/650	475	826
B100190	5.5	1455	400/690 Δ/Y	10.9	69.8	218	B149928	590/650	475	826
B100189	4	1445	400/690 Δ/Y	8.1	60.9	207	B149928	590/650	475	826
B100188	3	1440	230/400 Δ/Y	6.1	43.3	202	B149928	590/650	475	826
B100187	2.2	1440	230/400 Δ/Y	4.6	32.5	196	B149928	590/650	475	826

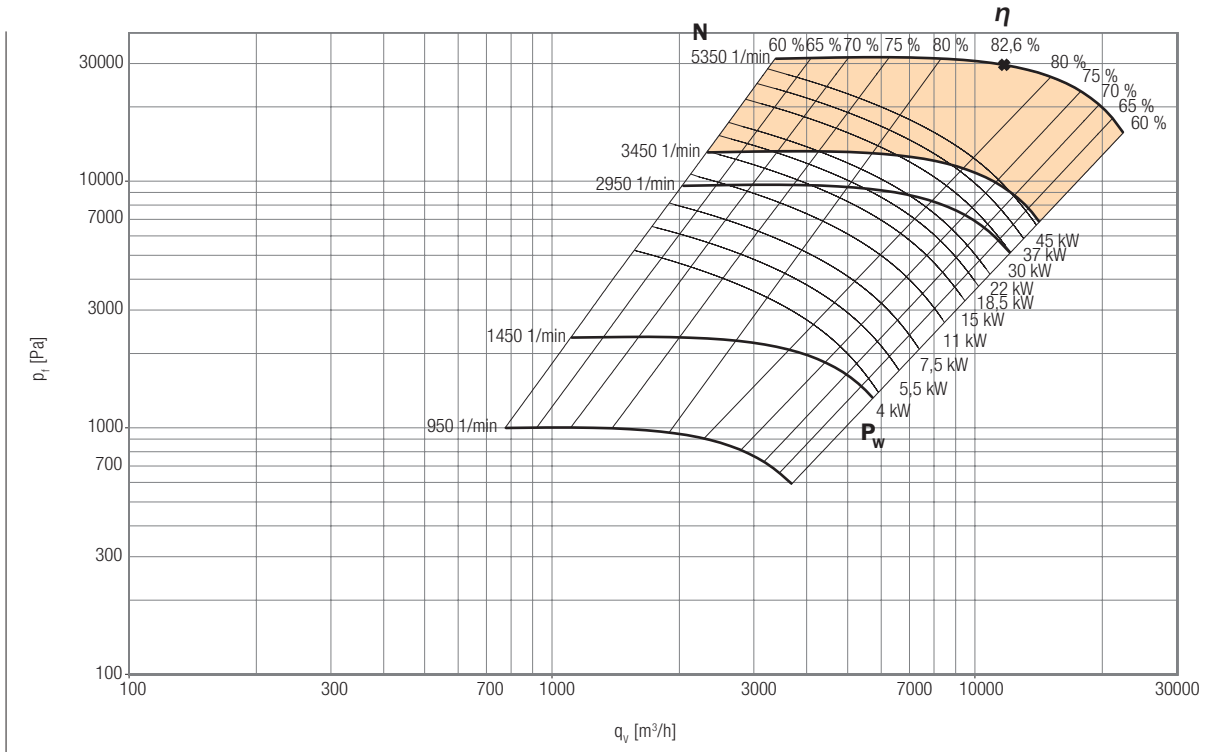
All indicated values for 400 V/50 Hz/3~.

h*: Casing position: 0°, 90°

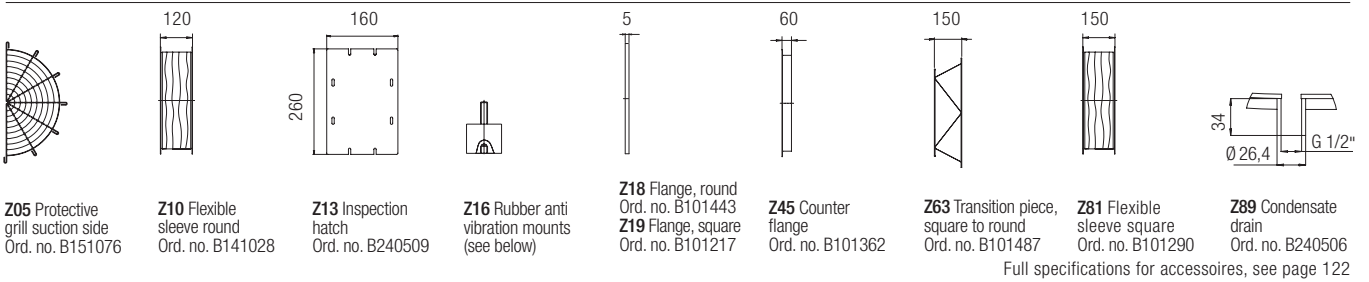
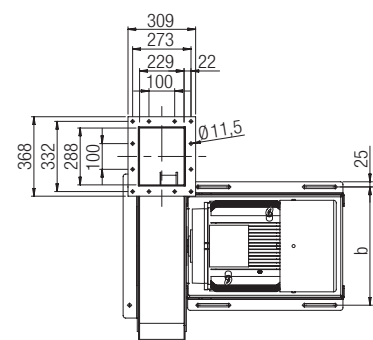
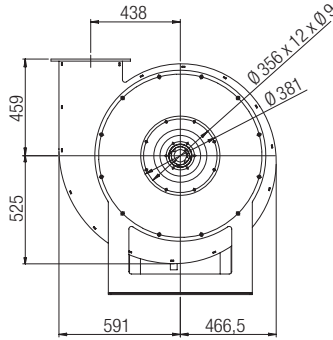
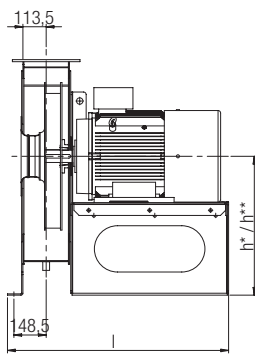
h**: Casing position: 270°

CREM01-31-0710 Centrifugal fan

Etatec by Pollrich DLK



Power range on request



CREM01-31-0710-B

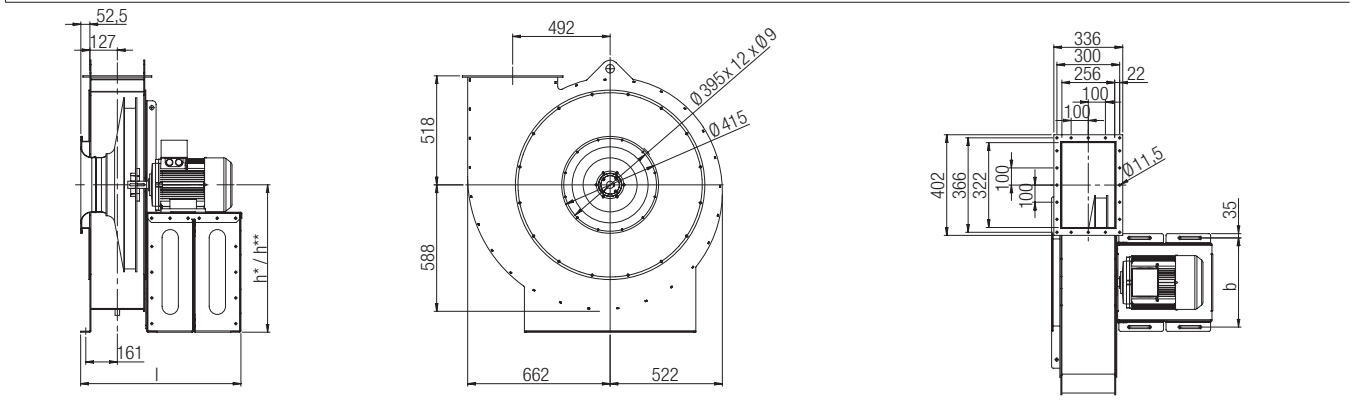
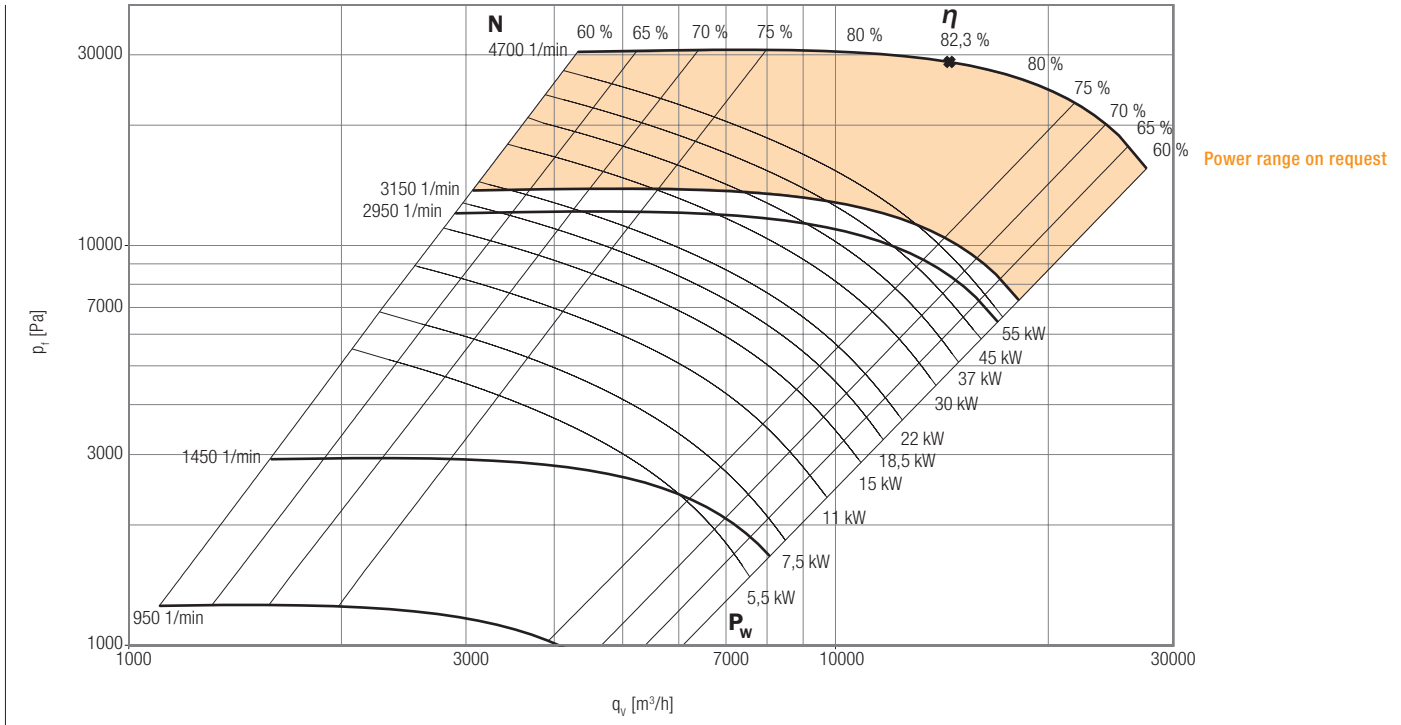
Order no. Fan	Motor power output [kW]	Speed [1/min]	Voltage [V] Connection	Nominal current [A]	Starting current [A]	Weight ca. [kg]	Order no. Z16	h^* / h^{**} [mm]	b [mm]	l [mm]
B100196	45	2960	400/690 Δ/Y	78.4	588.0	546	B149948	645/710	620	995
B100195	37	2950	400/690 Δ/Y	64.8	499.0	462	B149948	645/710	620	995
B100194	30	2950	400/690 Δ/Y	53.4	416.5	461	B149948	645/710	620	995
B100203	22	1470	400/690 Δ/Y	40.2	301.5	404	B149937	645/710	620	995
B100202	18.5	1470	400/690 Δ/Y	34.0	265.2	390	B149937	645/710	620	995
B100201	15	1460	400/690 Δ/Y	29.6	222.0	334	B149937	645/710	475	850
B100200	11	1460	400/690 Δ/Y	22.1	152.5	358	B149937	645/710	475	850
B100199	7.5	1455	400/690 Δ/Y	14.5	101.5	284	B149937	645/710	475	850
B100198	5.5	1455	400/690 Δ/Y	10.9	69.8	273	B149937	645/710	475	850
B100197	4	1445	400/690 Δ/Y	8.1	60.9	262	B149928	645/710	475	850

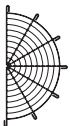

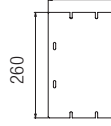



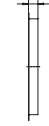

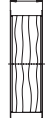

All indicated values for 400 V/50 Hz/3~.

h^* : Casing position: 0°, 90° h^{**} : Casing position: 270°

CREM01-31-0800 Centrifugal fan

Eatec by Pollrich DLK



- 
Z05 Protective grill suction side
 Ord. no. B151074
 - 
Z10 Flexible sleeve round
 Ord. no. B141029
 - 
Z13 Inspection hatch
 Ord. no. B240509
 - 
Z16 Rubber anti vibration mounts (see below)
 - 
Z18 Flange, round
 Ord. no. B101444
 - 
Z19 Flange, square
 Ord. no. B101218
 - 
Z45 Counter flange
 Ord. no. B101363
 - 
Z63 Transition piece, square to round
 Ord. no. B101488
 - 
Z81 Flexible sleeve square
 Ord. no. B101291
 - 
Z89 Condensate drain
 Ord. no. B240506
- Full specifications for accessories, see page 122

CREM01-31-0800-B

Order no. Fan	Motor power output [kW]	Speed [1/min]	Voltage [V] Connection	Nominal current [A]	Starting current [A]	Weight ca. [kg]	Order no. Z16	h* / h** [mm]	b [mm]	l [mm]
B100205	55	2965	400/690 Δ/Y	94.5	671.0	672	B149948	710/786	570	1040
B100204	45	2960	400/690 Δ/Y	78.4	588.0	616	B149948	710/785	570	1040
B100214	45	1480	400/690 Δ/Y	80.1	608.8	630	B149948	710/795	570	1040
B100213	37	1480	400/690 Δ/Y	66.2	496.5	600	B149948	710/794	570	1040
B100212	30	1470	400/690 Δ/Y	54.4	386.2	560	B149948	710/793	570	1000
B100211	22	1470	400/690 Δ/Y	40.2	301.5	474	B149948	710/792	500	909
B100210	18.5	1470	400/690 Δ/Y	34.0	265.2	460	B149948	710/791	500	909
B100209	15	1460	400/690 Δ/Y	29.6	222.0	404	B149937	710/790	500	873
B100208	11	1460	400/690 Δ/Y	22.1	152.5	428	B149937	710/789	500	873
B100207	7.5	1455	400/690 Δ/Y	14.5	101.5	354	B149937	710/788	500	721
B100206	5.5	1455	400/690 Δ/Y	10.9	69.8	343	B149937	710/787	500	721

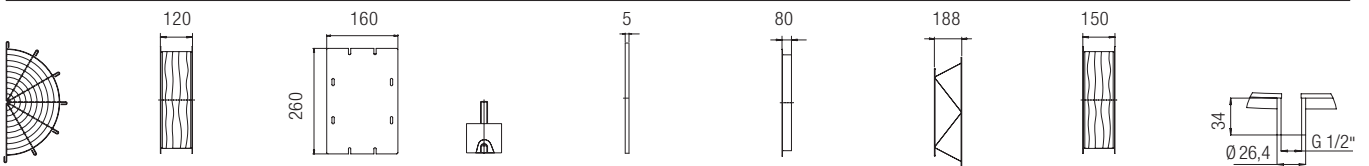
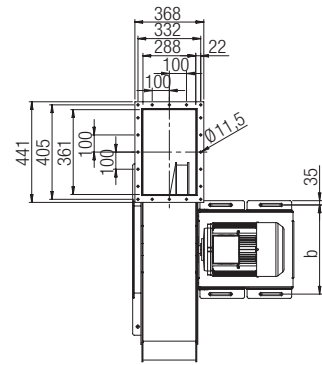
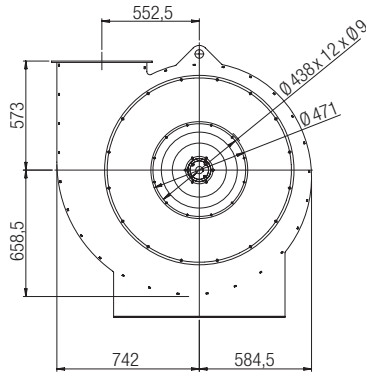
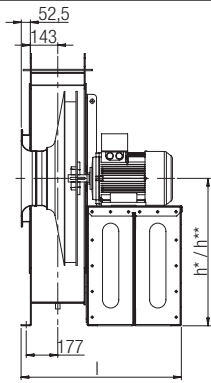
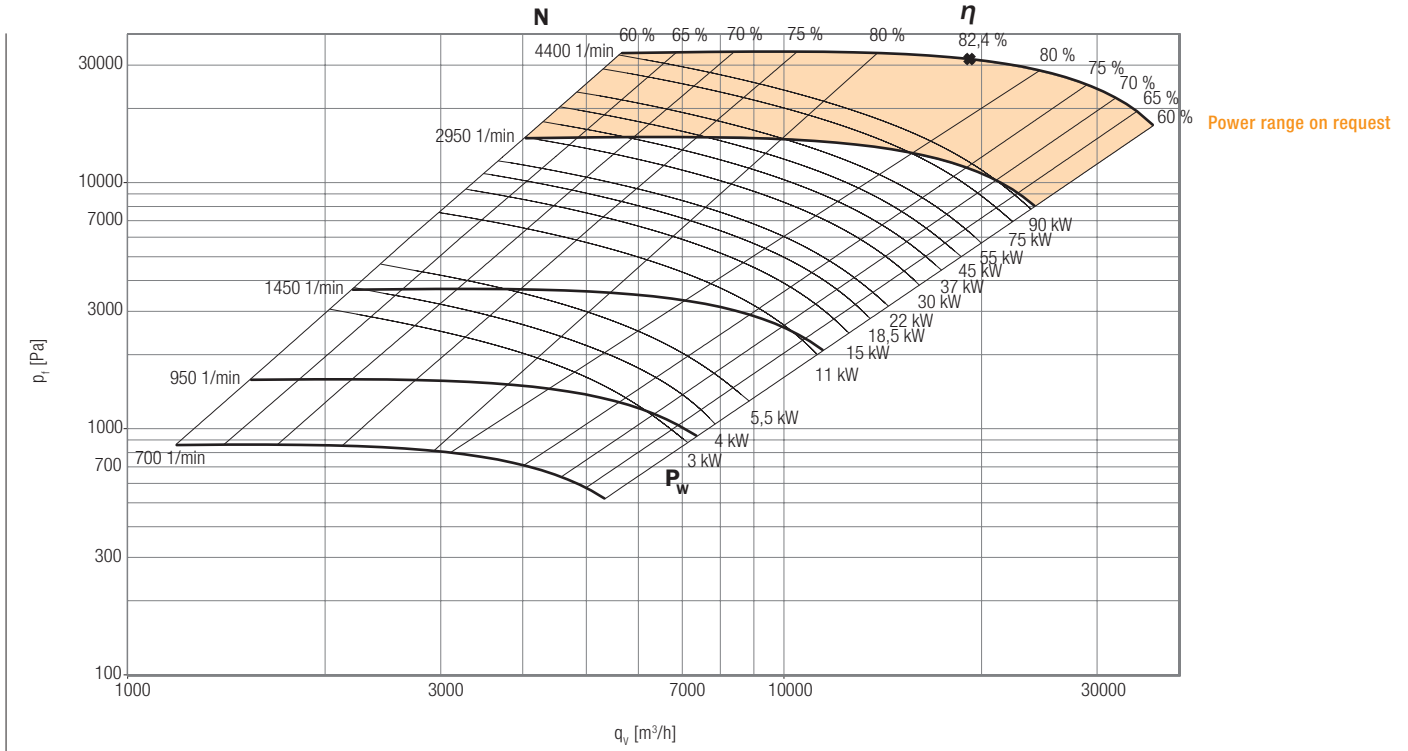
All indicated values for 400 V/50 Hz/3~.

h*: Casing position: 0°, 90°

h**: Casing position: 270°

CREM01-31-0900 Centrifugal fan

Etatec by Pollrich DLK



Z05 Protective grill suction side
Ord. no. B151061

Z10 Flexible sleeve round
Ord. no. B141030

Z13 Inspection hatch
Ord. no. B240509

Z16 Rubber anti vibration mounts (see below)

Z18 Flange, round
Ord. no. B101445

Z19 Flange, square
Ord. no. B101219

Z45 Counter flange
Ord. no. B101364

Z63 Transition piece, square to round
Ord. no. B101489

Z81 Flexible sleeve square
Ord. no. B101292

Z89 Condensate drain
Ord. no. B240506

Full specifications for accessoires, see page 122

CREM01-31-0900-B

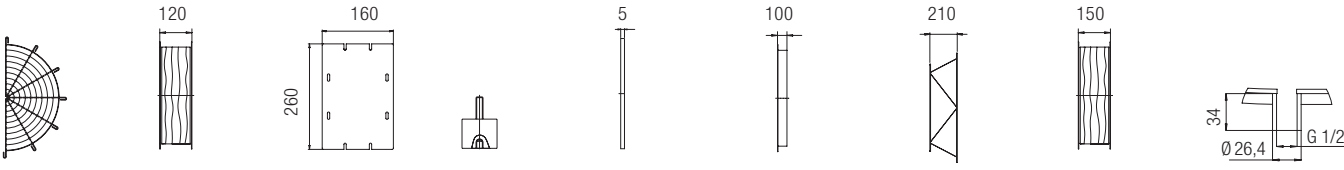
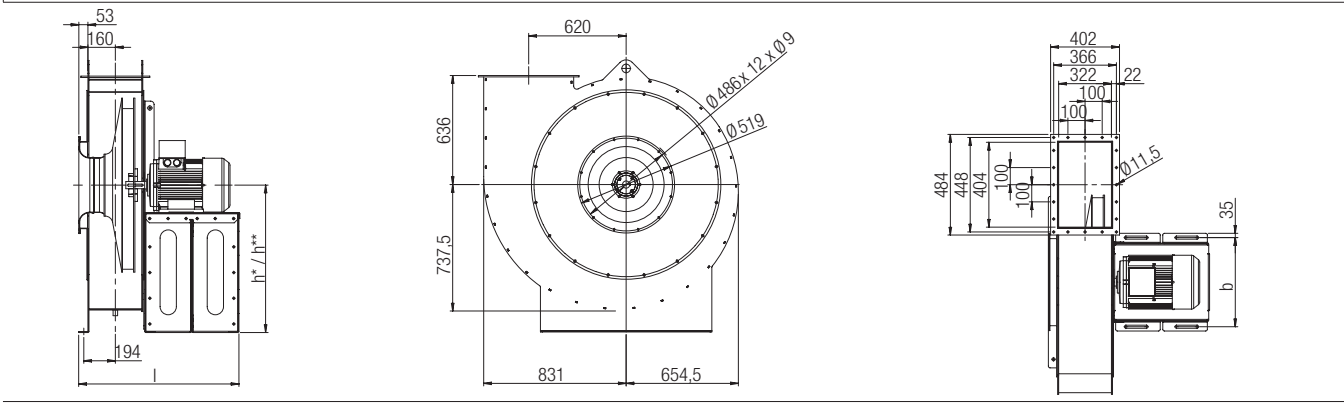
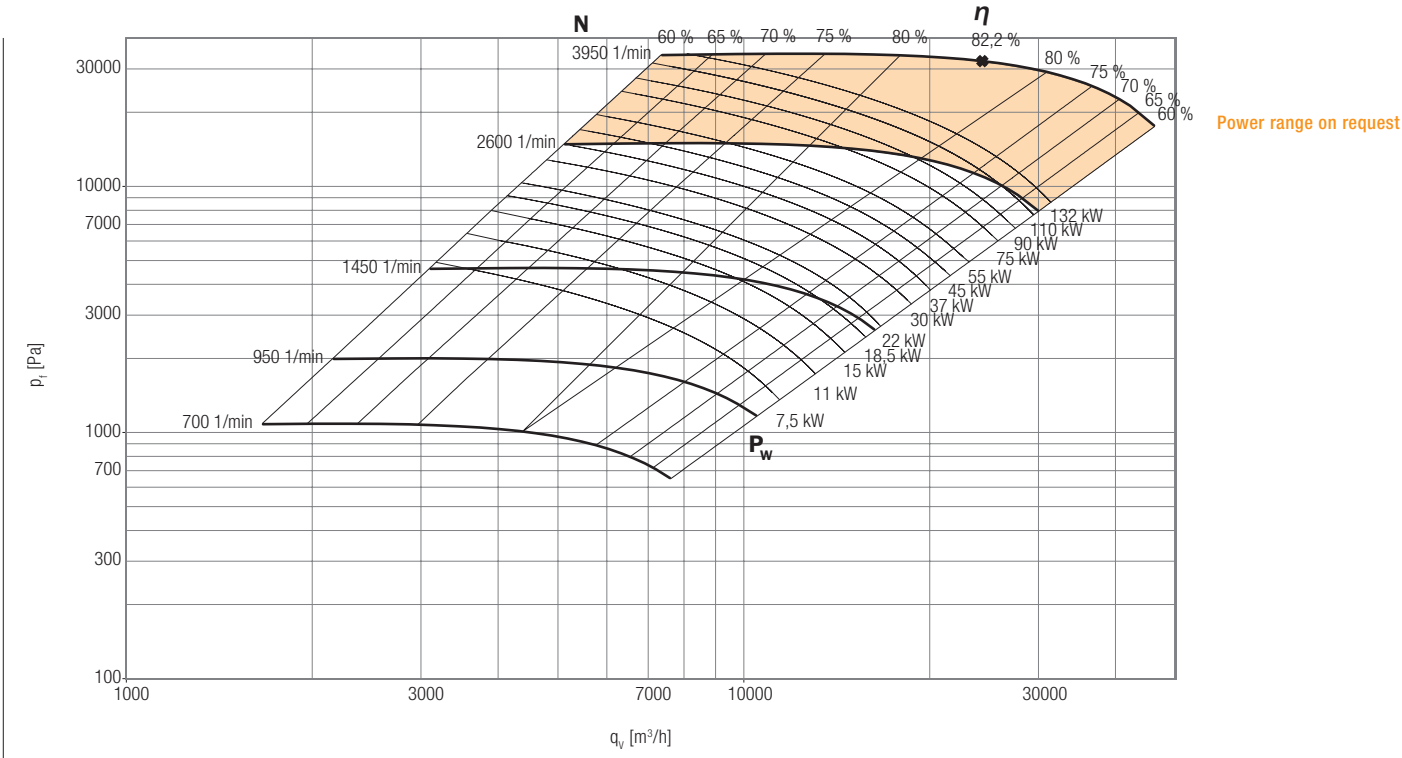
Order no. Fan	Motor power output [kW]	Speed [1/min]	Voltage [V] Connection	Nominal current [A]	Starting current [A]	Weight ca. [kg]	Order no. Z16	h* / h** [mm]	b [mm]	l [mm]
B100216	90	2970	400/690 Δ/Y	152.0	1155.2	980	B250291	780/865	653.4	1198
B100215	75	2970	400/690 Δ/Y	128.0	947.2	935	B250291	780/865	653.4	1198
B100222	37	1480	400/690 Δ/Y	66.2	496.5	720	B149948	780/865	653.4	1065
B100221	30	1470	400/690 Δ/Y	54.4	386.2	680	B149948	780/865	513	1028
B100220	22	1470	400/690 Δ/Y	40.2	301.5	594	B149948	780/865	513	937
B100219	18.5	1470	400/690 Δ/Y	34.0	265.2	580	B149948	780/865	513	937
B100218	15	1460	400/690 Δ/Y	28.1	210.8	524	B149948	780/865	513	901
B100217	11	1460	400/690 Δ/Y	21.0	144.9	548	B149948	780/865	513	901
B100230	11	970	400/690 Δ/Y	22.9	171.8	559	B149948	780/865	513	901
B100229	7.5	970	400/690 Δ/Y	15.9	103.4	510	B149948	780/865	513	901
B100228	5.5	965	400/690 Δ/Y	12.0	66.0	474	B149948	780/865	513	749
B100227	4	965	400/690 Δ/Y	8.9	44.8	463	B149948	780/865	513	749
B100226	3	964	230/400 Δ/Y	6.8	30.7	454	B149948	780/865	513	749

All indicated values for 400 V/50 Hz/3~.

h*: Casing position: 0°, 90° h**: Casing position: 270°

CREM01-31-1000 Centrifugal fan

Eatec by Pollrich DLK



- Z05** Protective grill suction side
Ord. no. B151081
- Z10** Flexible sleeve round
Ord. no. B141031
- Z13** Inspection hatch
Ord. no. B240512
- Z16** Rubber anti vibration mounts (see below)
- Z18** Flange, round
Ord. no. B101446
- Z19** Flange, square
Ord. no. B101220
- Z45** Counter flange
Ord. no. B101365
- Z63** Transition piece, square to round
Ord. no. B101490
- Z81** Flexible sleeve square
Ord. no. B101293
- Z89** Condensate drain
Ord. no. B240506

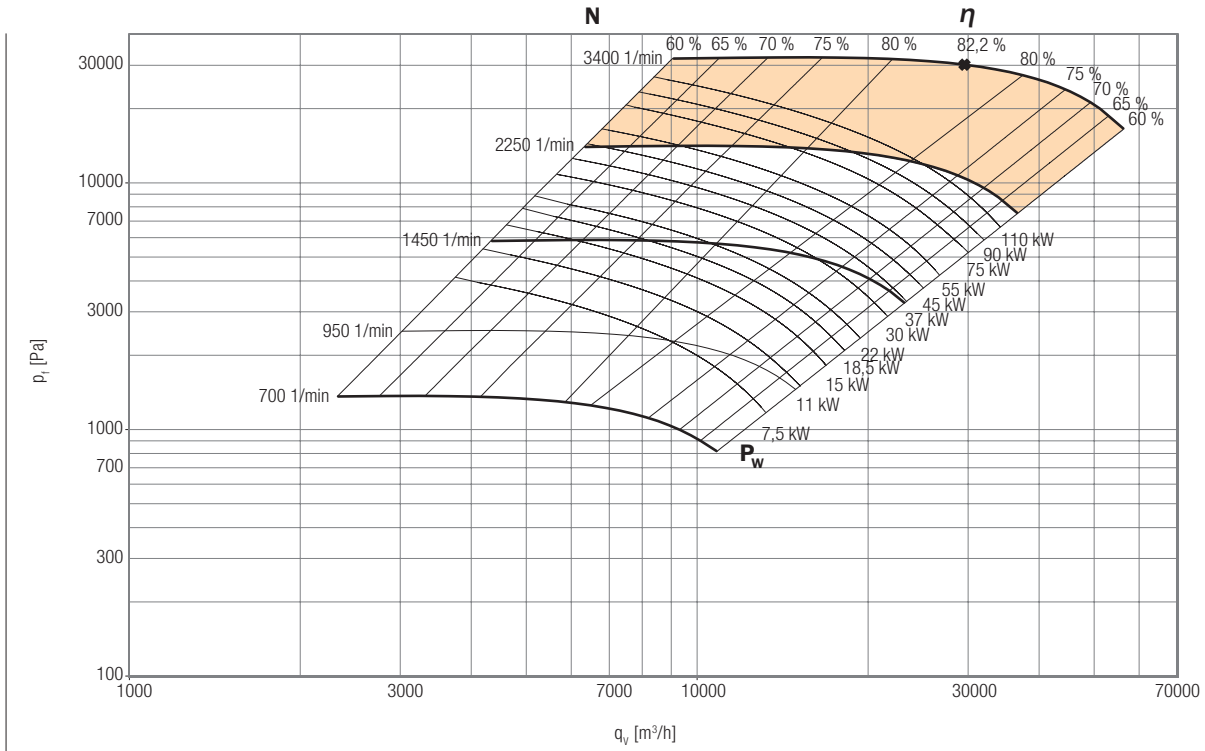
CREM01-31-1000-B Full specifications for accessoires, see page 122

Order no. Fan	Motor power output [kW]	Speed [1/min]	Voltage [V] Connection	Nominal current [A]	Starting current [A]	Weight ca. [kg]	Order no. Z16	h* / h** [mm]	b [mm]	l [mm]
B100231	110	2975	400/690 Δ/Y	183.0	1262.7	1478	B250291	860/955	1438	714.4
B100232	132	2975	400/690 Δ/Y	219.0	1554.9	1545	B250291	860/955	1438	714.4
B100233	15	1460	400/690 Δ/Y	29.6	222.0	644	B149948	860/955	935	520
B100234	18.5	1470	400/690 Δ/Y	32.7	255.3	700	B149948	860/955	971	520
B100235	22	1470	400/690 Δ/Y	38.4	288.2	714	B149948	860/955	971	520
B100236	30	1470	400/690 Δ/Y	54.4	386.2	800	B149948	860/955	1062	520
B100237	37	1480	400/690 Δ/Y	66.2	496.5	840	B149948	860/955	1102	714.4
B100238	45	1480	400/690 Δ/Y	80.1	608.8	870	B149948	860/955	1102	714.4
B100239	55	1480	400/690 Δ/Y	96.7	705.9	925	B250291	860/955	1163	714.4
B100240	75	1480	400/690 Δ/Y	131.0	995.6	1045	B250291	860/955	1235	714.4
B100241	90	1480	400/690 Δ/Y	157.0	1177.5	1141	B250291	860/955	1235	714.4
B100243	7.5	970	400/690 Δ/Y	15.9	103.4	630	B149948	860/955	935	520
B100244	11	970	400/690 Δ/Y	22.1	166.1	679	B149948	860/955	935	520

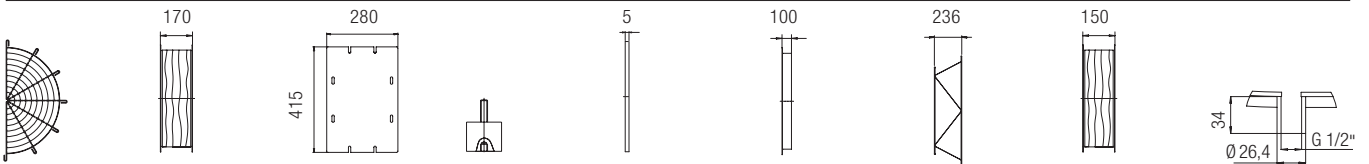
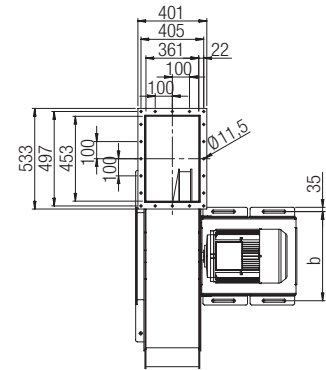
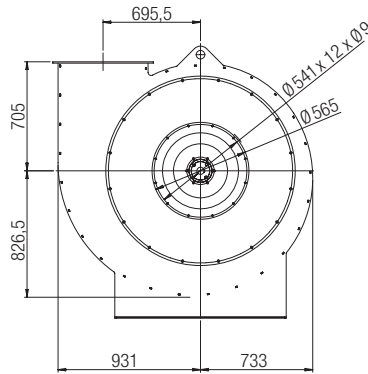
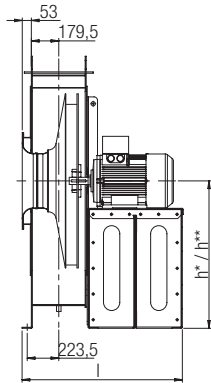
All indicated values for 400 V/50 Hz/3~. h*: Casing position: 0°, 90° h**: Casing position: 270°

CREM01-31-1120 Centrifugal fan

Etatec by Pollrich DLK



Power range on request



Z05 Protective grill suction side
Ord. no. B151068

Z10 Flexible sleeve round
Ord. no. B141032

Z13 Inspection hatch
Ord. no. B240512

Z16 Rubber anti vibration mounts (see below)

Z18 Flange, round
Ord. no. B101447

Z19 Flange, square
Ord. no. B101221

Z45 Counter flange
Ord. no. B101366

Z63 Transition piece, square to round
Ord. no. B101491

Z81 Flexible sleeve square
Ord. no. B101294

Z89 Condensate drain
Ord. no. B240506

Full specifications for accessoires, see page 122

CREM01-31-1120-B

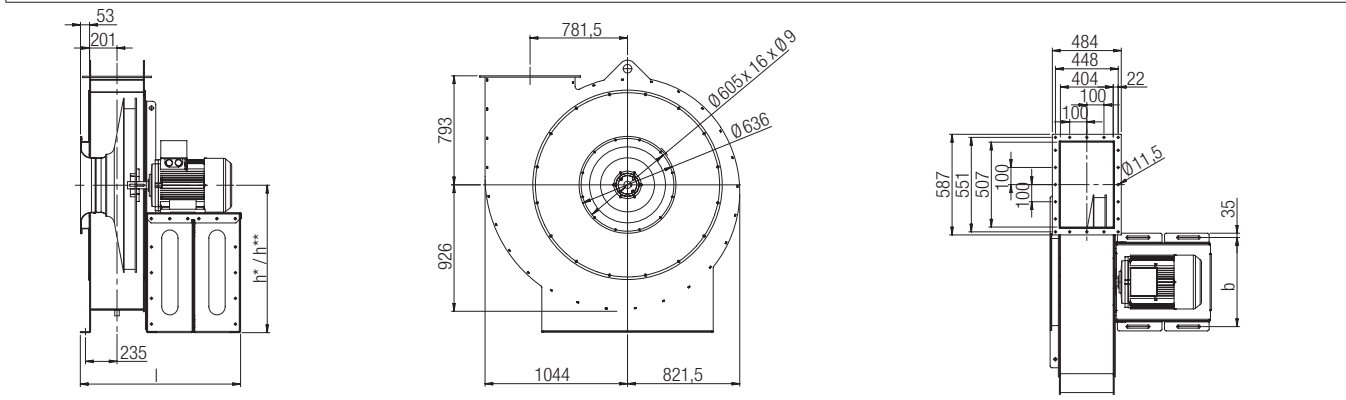
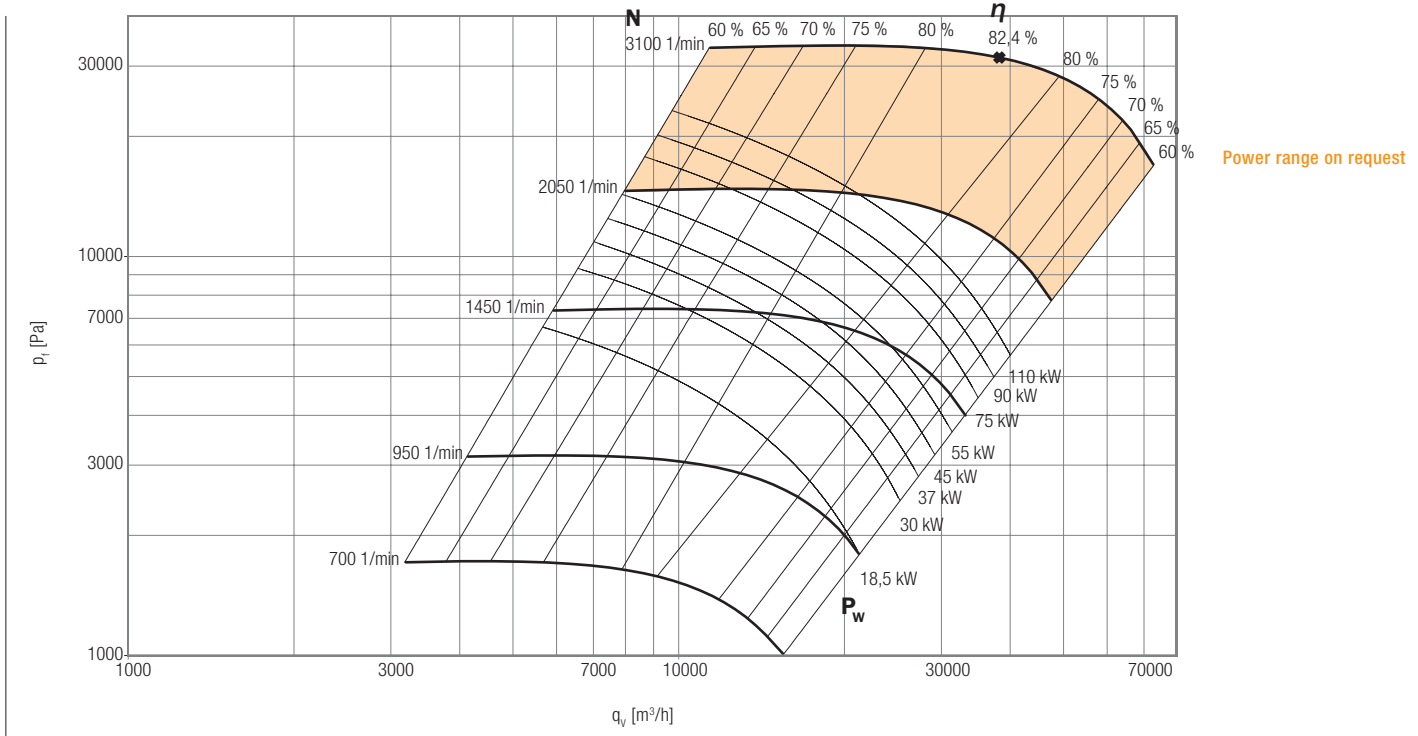
Order no. Fan	Motor power output [kW]	Speed [1/min]	Voltage [V] Connection	Nominal current [A]	Starting current [A]	Weight ca. [kg]	Order no. Z16	h* / h** [mm]	b [mm]	l [mm]
B100252	110	1485	400/690 Δ/Y	191.0	1356.1	1570	B250291	950/1055	786.6	1494
B100251	90	1480	400/690 Δ/Y	158.0	1185.0	1231	B250291	950/1055	786.6	1291
B100250	75	1480	400/690 Δ/Y	132.0	1003.2	1135	B250291	950/1055	786.6	1291
B100249	55	1480	400/690 Δ/Y	97.5	711.8	1015	B250291	950/1055	786.6	1219
B100248	45	1480	400/690 Δ/Y	80.1	608.8	960	B250291	950/1055	560	1158
B100247	37	1480	400/690 Δ/Y	66.2	496.5	930	B250291	950/1055	560	1158
B100246	30	1470	400/690 Δ/Y	54.4	386.2	890	B149948	950/1055	560	1118
B100254	22	980	400/690 Δ/Y	42.0	294.0	848	B149948	950/1055	560	1118
B100253	18.5	980	400/690 Δ/Y	36.4	254.8	820	B149948	950/1055	560	1118
B100259	18.5	730	400/690 Δ/Y	39.0	257.4	862	B149948	950/1055	560	1158
B100258	15	730	400/690 Δ/Y	32.4	213.8	848	B149948	950/1055	560	1118
B100257	11	730	400/690 Δ/Y	23.8	142.8	780	B149948	950/1055	560	1027
B100256	7.5	720	400/690 Δ/Y	16.9	101.4	707	B149948	950/1055	560	991

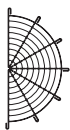

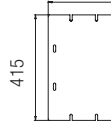





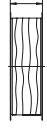

All indicated values for 400 V/50 Hz/3~.

h*: Casing position: 0°, 90° h**: Casing position: 270°

CREM01-31-1250 Centrifugal fan

Etecat by Pollrich DLK



- 
Z05 Protective grill suction side
 Ord. no. B151066
 - 
Z10 Flexible sleeve round
 Ord. no. B141033
 - 
Z13 Inspection hatch
 Ord. no. B240512
 - 
Z16 Rubber anti vibration mounts (see below)
 - 
Z18 Flange, round
 Ord. no. B101448
 - 
Z19 Flange, square
 Ord. no. B101222
 - 
Z45 Counter flange
 Ord. no. B101367
 - 
Z63 Transition piece, square to round
 Ord. no. B101492
 - 
Z81 Flexible sleeve square
 Ord. no. B101295
 - 
Z89 Condensate drain
 Ord. no. B240506
- Full specifications for accessoires, see page 122

CREM01-31-1250-B

Order no. Fan	Motor power output [kW]	Speed [1/min]	Voltage [V] Connection	Nominal current [A]	Starting current [A]	Weight ca. [kg]	Order no. Z16	h* / h** [mm]	b [mm]	l [mm]
B100260	45	1480	400/690 Δ/Y	80.1	608.8	1161	B250291	1050/1165	758	1184
B100261	55	1480	400/690 Δ/Y	97.5	711.8	1216	B250291	1050/1165	758	1245
B100262	75	1480	400/690 Δ/Y	132.0	1003.2	1336	B250291	1050/1165	758	1317
B100263	90	1480	400/690 Δ/Y	158.0	1185.0	1432	B250291	1050/1165	758	1317
B100264	110	1485	400/690 Δ/Y	191.0	1356.1	1771	B250291	1050/1165	758	1520
B100265	30	980	400/690 Δ/Y	56.2	365.3	1117	B250291	1050/1165	758	1184
B100266	37	980	400/690 Δ/Y	67.3	464.4	1201	B250291	1050/1165	758	1245
B100267	45	980	400/690 Δ/Y	81.5	570.5	1311	B250291	1050/1165	758	1317
B100268	18.5	730	400/690 Δ/Y	39.0	257.4	1063	B250291	1050/1165	758	1184

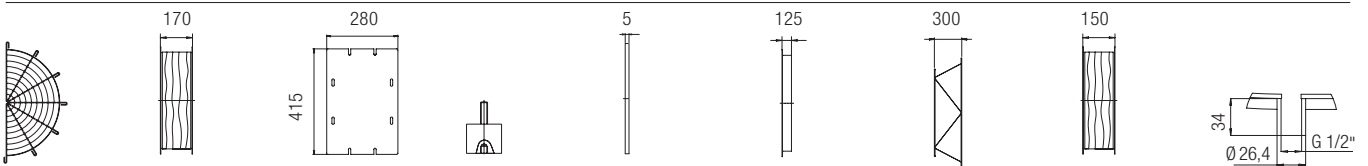
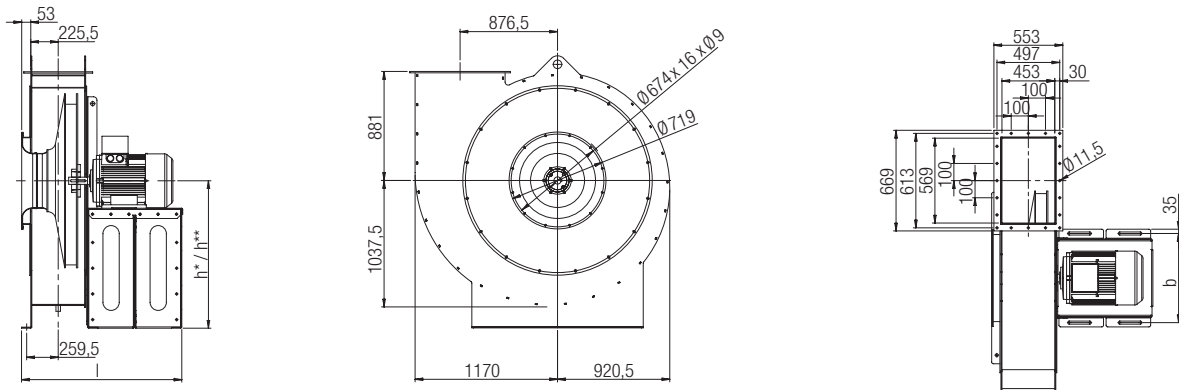
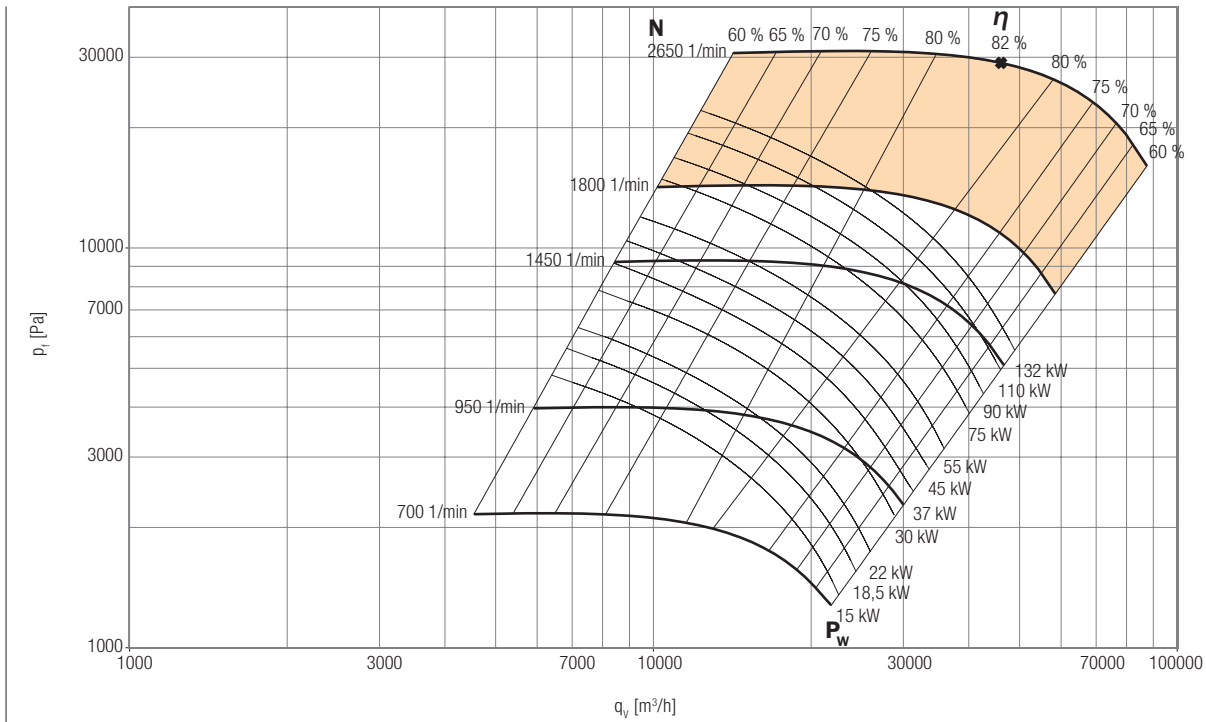
All indicated values for 400 V/50 Hz/3-.

h*: Casing position: 0°, 90°

h**: Casing position: 270°

CREM01-31-1400 Centrifugal fan

Etatec by Pollrich DLK



Z05 Protective grill suction side
Ord. no. B151088

Z10 Flexible sleeve round
Ord. no. B141035

Z13 Inspection hatch
Ord. no. B240512

Z16 Rubber anti vibration mounts
(see below)

Z18 Flange, round
Ord. no. B101449

Z19 Flange, square
Ord. no. B101223

Z45 Counter flange
Ord. no. B101368

Z63 Transition piece, square to round
Ord. no. B101493

Z81 Flexible sleeve square
Ord. no. B101296

Z89 Condensate drain
Ord. no. B240506

Full specifications for accessoires, see page 122

CREM01-31-1400-B

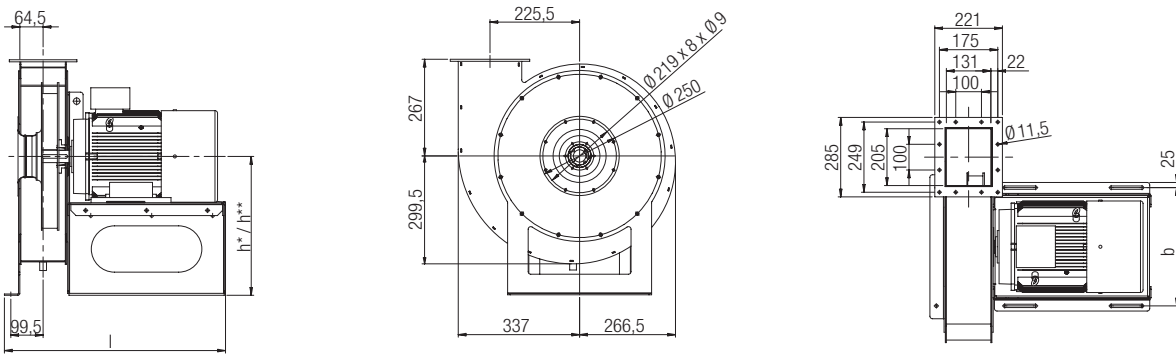
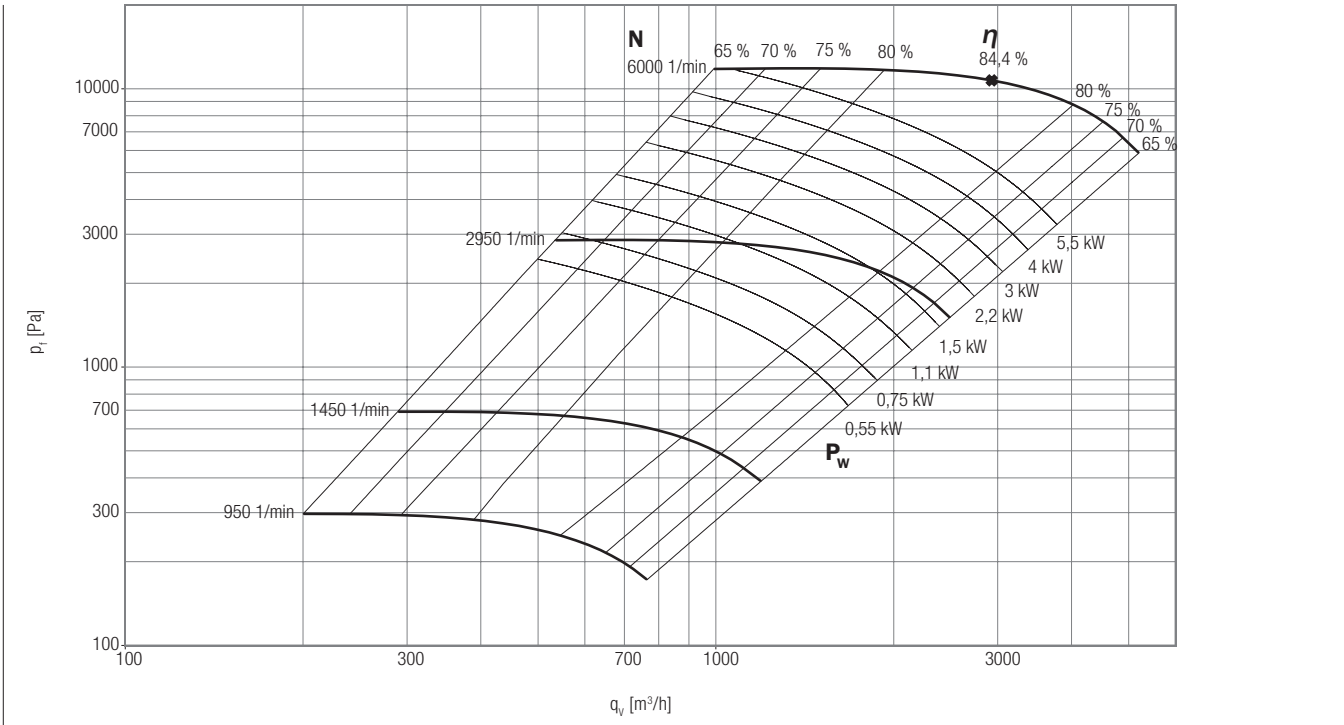
Order no.	Motor power output [kW]	Speed [1/min]	Voltage [V] Connection	Nominal current [A]	Starting current [A]	Weight ca. [kg]	Order no.	h* / h** [mm]	b [mm]	l [mm]
B100272	132	1485	400/690 Δ/Y	228.0	1664.4	1972	B250291	1160/1290	760	1571
B100271	110	1485	400/690 Δ/Y	191.0	1356.1	1885	B250291	1160/1290	760	1571
B100270	90	1480	400/690 Δ/Y	158.0	1185.0	1546	B250291	1160/1290	760	1368
B100269	75	1480	400/690 Δ/Y	132.0	1003.2	1450	B250291	1160/1290	760	1368
B100279	75	985	400/690 Δ/Y	134.0	978.2	1850	B250291	1160/1290	760	1571
B100278	55	980	400/690 Δ/Y	99.2	704.3	1480	B250291	1160/1290	760	1368
B100277	45	980	400/690 Δ/Y	81.5	570.5	1425	B250291	1160/1290	760	1368
B100276	37	980	400/690 Δ/Y	67.3	464.4	1315	B250291	1160/1290	760	1296
B100275	30	980	400/690 Δ/Y	56.2	365.3	1231	B250291	1160/1290	574	1235
B100274	22	980	400/690 Δ/Y	42.0	294.0	1163	B250291	1160/1290	574	1195
B100273	18.5	980	400/690 Δ/Y	36.4	254.8	1135	B250291	1160/1290	574	1195
B100281	18.5	730	400/690 Δ/Y	39.0	257.4	1177	B250291	1160/1290	574	1235
B100280	15	730	400/690 Δ/Y	32.4	213.8	1163	B250291	1160/1290	574	1195

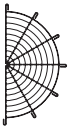

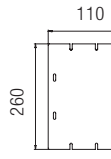







All indicated values for 400 V/50 Hz/3~.

h*: Casing position: 0°, 90° h**: Casing position: 270°

CREM01-35-0400 Centrifugal fan

Etatec by Pollrich DLK



- 
Z05 Protective grill suction side
 Ord. no. B101458
 - 
Z10 Flexible sleeve round
 Ord. no. B101461
 - 
Z13 Inspection hatch
 Ord. no. B240514
 - 
Z16 Rubber anti vibration mounts (see below)
 - 
Z18 Flange, round
 Ord. no. B101464
 - 
Z19 Flange, square
 Ord. no. B101224
 - 
Z45 Counter flange
 Ord. no. B101369
 - 
Z63 Transition piece, square to round
 Ord. no. B101494
 - 
Z81 Flexible sleeve square
 Ord. no. B101297
 - 
Z89 Condensate drain
 Ord. no. B240506
- Full specifications for accessoires, see page 122

CREM01-35-0400-B

Order no. Fan	Motor power output [kW]	Speed [1/min]	Voltage [V] Connection	Nominal current [A]	Starting current [A]	Weight ca. [kg]	Order no. Z16	h* / h** [mm]	b [mm]	l [mm]
B100286	5.5	2937	400/690 Δ/Y	10.6	79.5	110	B149380	420/460	418	620
B100285	4	2914	400/690 Δ/Y	7.6	57.3	94	B149380	420/460	418	620
B100284	3	2891	230/400 Δ/Y	5.8	46.9	91	B149380	420/460	418	537
B100283	2.2	2890	230/400 Δ/Y	4.4	30.9	84	B149380	420/460	418	537
B100282	1.5	2890	230/400 Δ/Y	3.1	22.4	80	B149380	420/460	418	537
B100290	1.5	1445	230/400 Δ/Y	3.3	23.1	83	B149380	420/460	418	537
B100289	1.1	1440	230/400 Δ/Y	2.5	15.2	81	B149380	420/460	418	537
B100288	0.75	1400	230/400 Δ/Y	1.7	8.9	77	B149380	420/460	418	537
B100287	0.55	1390	230/400 Δ/Y	1.4	7.8	75	B149380	420/460	418	537

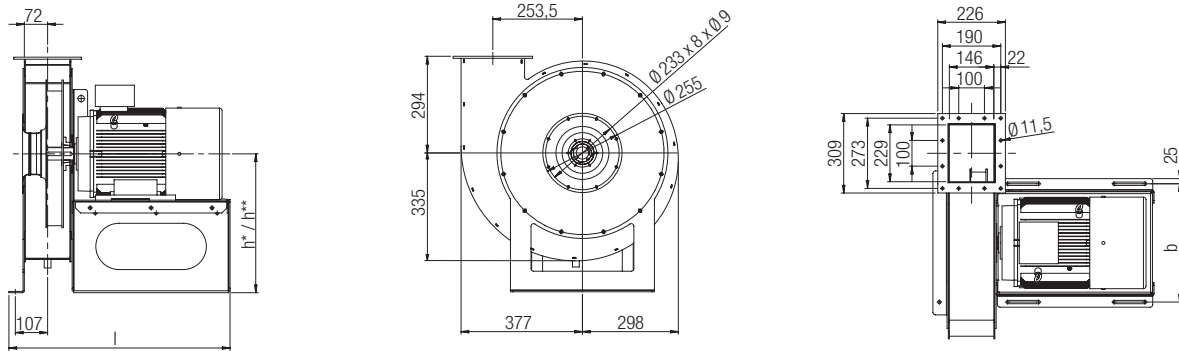
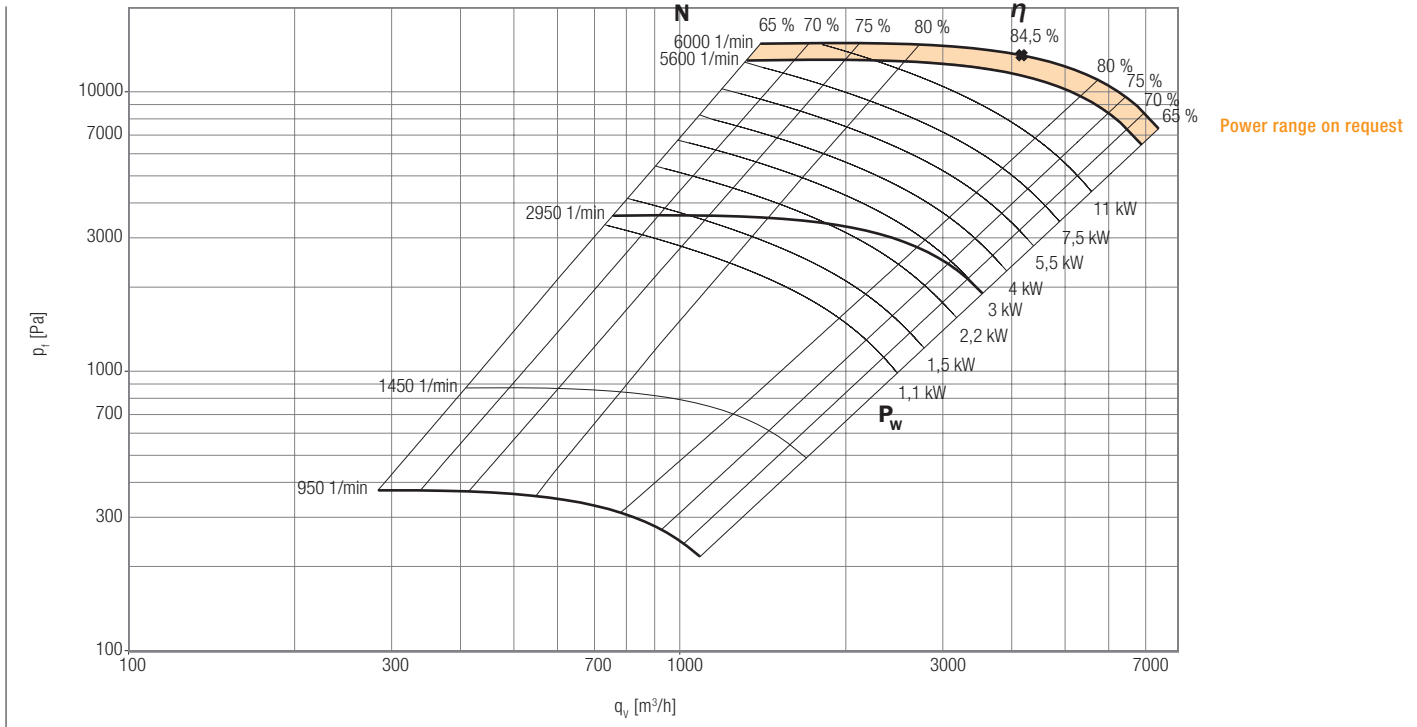
All indicated values for 400 V/50 Hz/3-..

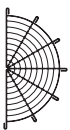
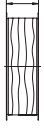
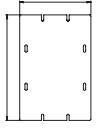






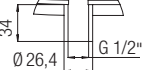
h*: Casing position: 0°, 90°

h**: Casing position: 270°

CREM01-35-0450 Centrifugal fan

Etatec by Pollrich DLK



- 
Z05 Protective grill suction side
 Ord. no. B101459
 - 
Z10 Flexible sleeve round
 Ord. no. B101462
 - 
Z13 Inspection hatch
 Ord. no. B240514
 - 
Z16 Rubber anti vibration mounts (see below)
 - 
Z18 Flange, round
 Ord. no. B101465
 - 
Z19 Flange, square
 Ord. no. B101225
 - 
Z45 Counter flange
 Ord. no. B101370
 - 
Z63 Transition piece, square to round
 Ord. no. B101495
 - 
Z81 Flexible sleeve square
 Ord. no. B101298
 - 
Z89 Condensate drain
 Ord. no. B240506
- Full specifications for accessoires, see page 122

CREM01-35-0450-B

Order no. Fan	Motor power output [kW]	Speed [1/min]	Voltage [V] Connection	Nominal current [A]	Starting current [A]	Weight ca. [kg]	Order no. Z16	h* / h** [mm]	b [mm]	l [mm]
B100295	11	2930	400/690 Δ/Y	19.9	15.2	196	B149928	460/500	457	779
B100294	7.5	2940	400/690 Δ/Y	13.9	104.3	153	B148059	460/500	457	779
B100293	5.5	2937	400/690 Δ/Y	10.6	79.5	148	B148059	460/500	457	779
B100292	4	2914	400/690 Δ/Y	7.6	57.3	132	B148059	460/500	378	652
B100291	3	2891	230/400 Δ/Y	5.8	46.9	129	B148059	460/500	378	652
B100299	3	1440	230/400 Δ/Y	6.1	43.3	137	B148059	460/500	378	652
B100298	2.2	1440	230/400 Δ/Y	4.6	32.5	131	B148059	460/500	378	652
B100297	1.5	1445	230/400 Δ/Y	3.3	23.1	121	B148059	460/500	378	652
B100296	1.1	1440	230/400 Δ/Y	2.5	15.2	119	B148059	460/500	378	652

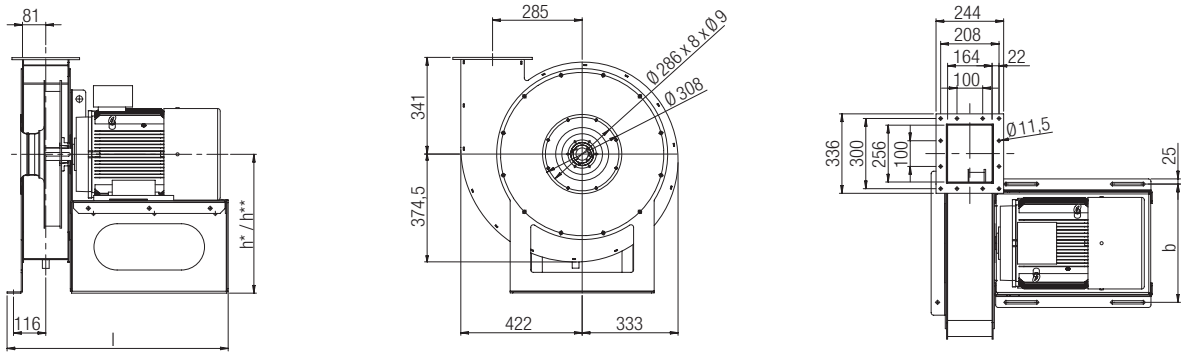
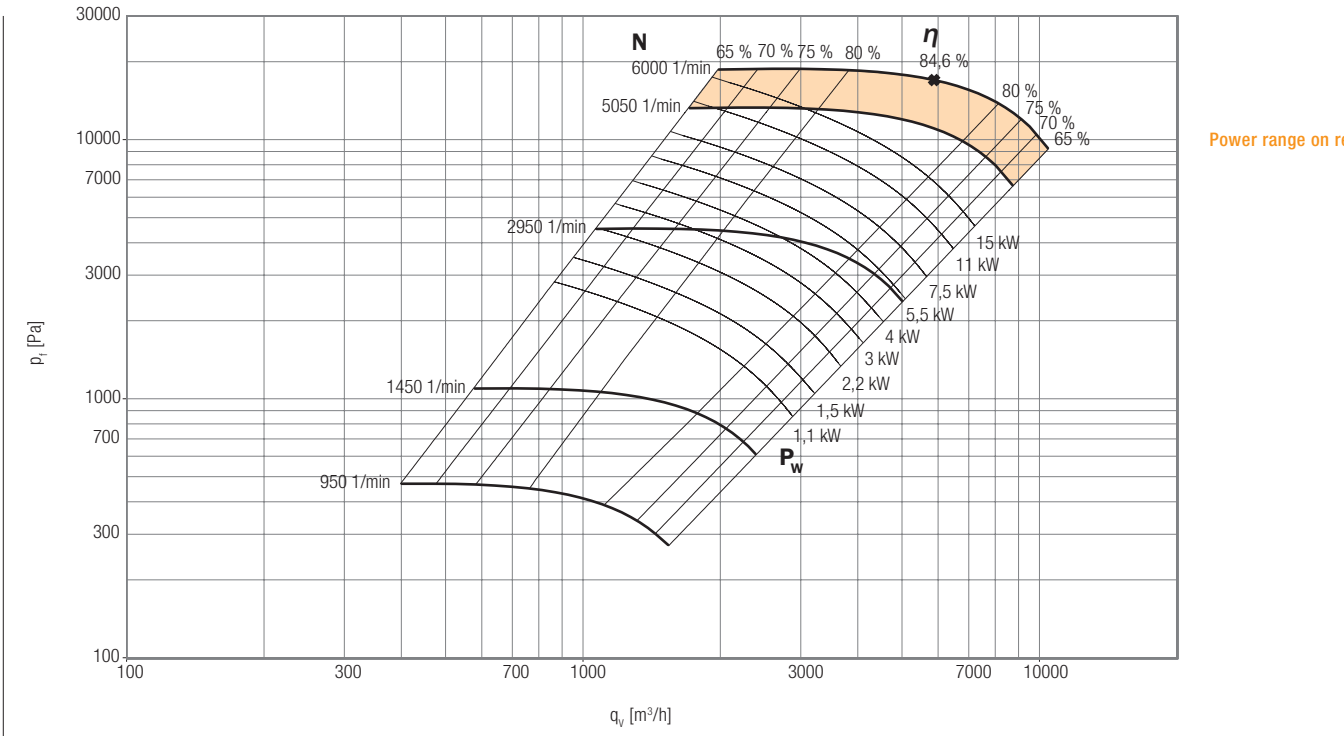
All indicated values for 400 V/50 Hz/3~.

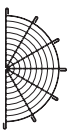

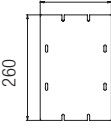




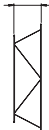

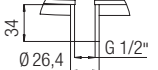
h*: Casing position: 0°, 90°

h**: Casing position: 270°

CREM01-35-0500 Centrifugal fan

Eatec by Pollrich DLK



- 
Z05 Protective grill suction side
 Ord. no. B151080
 - 
Z10 Flexible sleeve round
 Ord. no. B140894
 - 
Z13 Inspection hatch
 Ord. no. B240514
 - 
Z16 Rubber anti vibration mounts (see below)
 - 
Z18 Flange, round
 Ord. no. B101441
 - 
Z19 Flange, square
 Ord. no. B101226
 - 
Z45 Counter flange
 Ord. no. B101371
 - 
Z63 Transition piece, square to round
 Ord. no. B101496
 - 
Z81 Flexible sleeve square
 Ord. no. B101299
 - 
Z89 Condensate drain
 Ord. no. B240506
- Full specifications for accessoires, see page 122

CREM01-35-0500-B

Order no. Fan	Motor power output [kW]	Speed [1/min]	Voltage [V] Connection	Nominal current [A]	Starting current [A]	Weight ca. [kg]	Order no. Z16	h* / h** [mm]	b [mm]	l [mm]
B100300	5.5	2937	400/690 D/Y	10.6	79.5	163	B148059	500/545	496	840
B100301	7.5	2940	400/690 D/Y	13.9	104.3	168	B148059	500/545	496	840
B100302	11	2930	400/690 D/Y	19.9	151.2	211	B149928	500/545	496	840
B100303	15	2930	400/690 D/Y	26.6	204.4	237	B149928	500/545	496	840
B100304	1.1	1440	230/400 D/Y	2.5	15.2	134	B148059	500/545	392	620
B100305	1.5	1445	230/400 D/Y	3.4	23.1	136	B148059	500/545	392	620
B100306	2.2	1440	230/400 D/Y	4.6	32.5	146	B148059	500/545	392	620
B100307	3	1440	230/400 D/Y	6.2	43.3	152	B148059	500/545	392	620
B100308	4	1445	400/690 D/Y	8.1	60.9	157	B148059	500/545	392	620
B100309	5.5	1455	400/690 D/Y	10.9	69.8	168	B148059	500/545	496	840

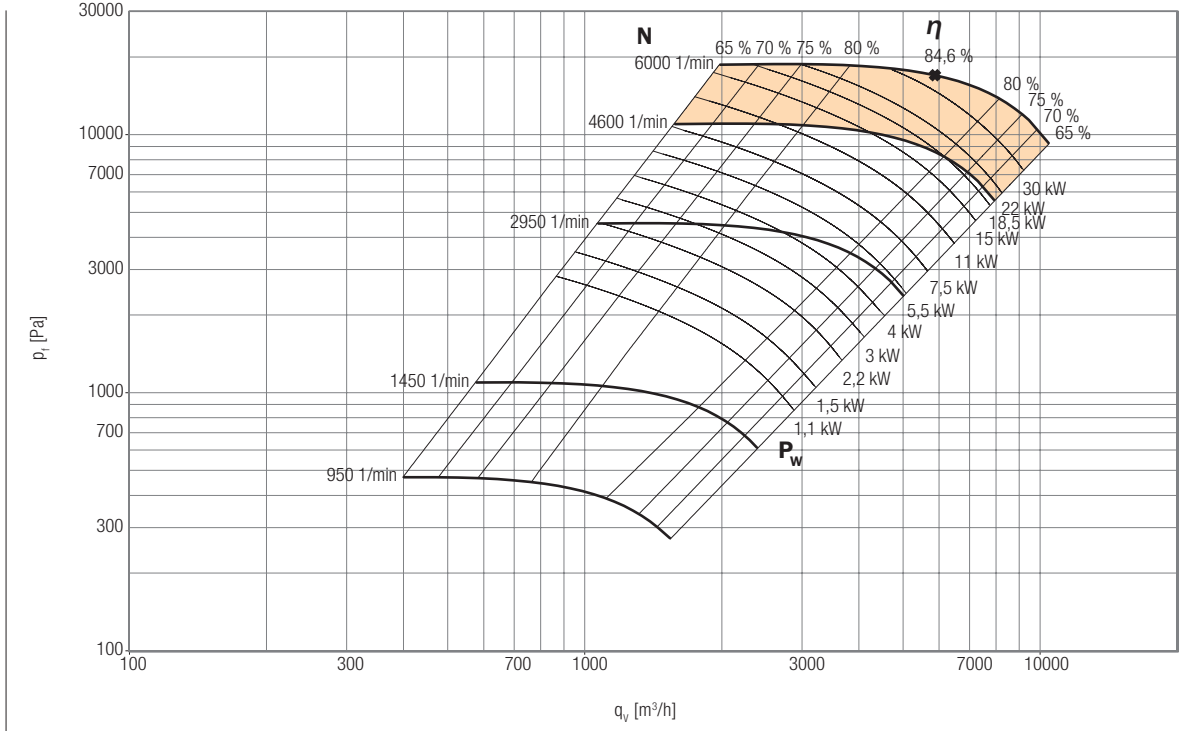
All indicated values for 400 V/50 Hz/3~.

h*: Casing position: 0°, 90°

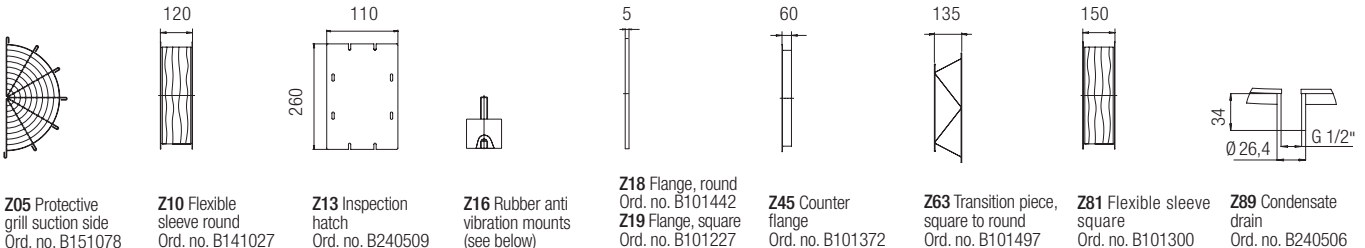
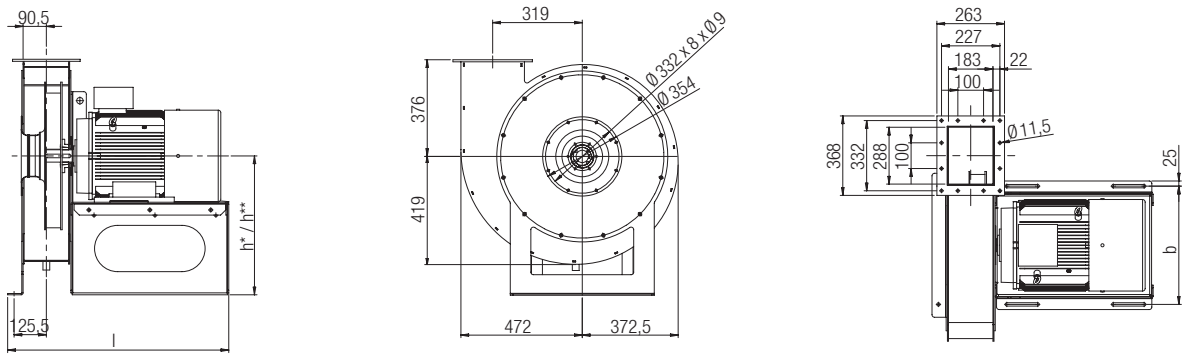
h**: Casing position: 270°

CREM01-35-0560 Centrifugal fan

Etatec by Pollrich DLK



Power range on request



CREM01-35-0560-B

Full specifications for accessoires, see page 122

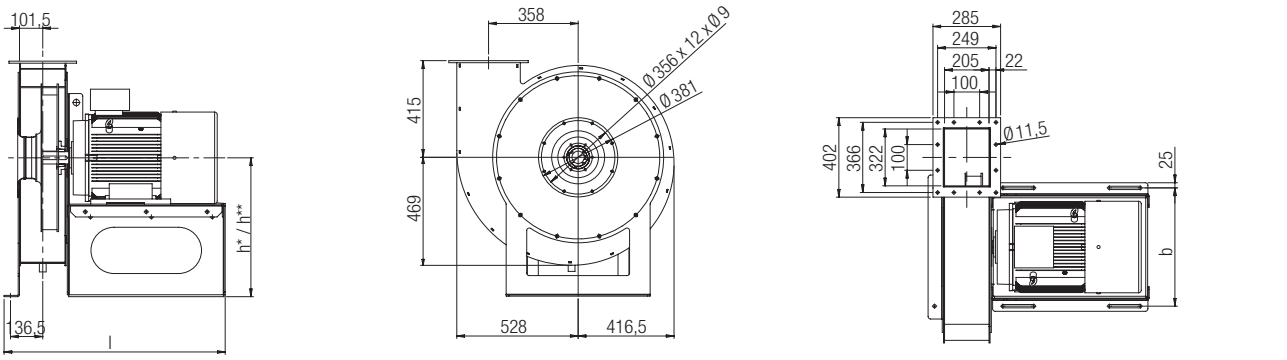
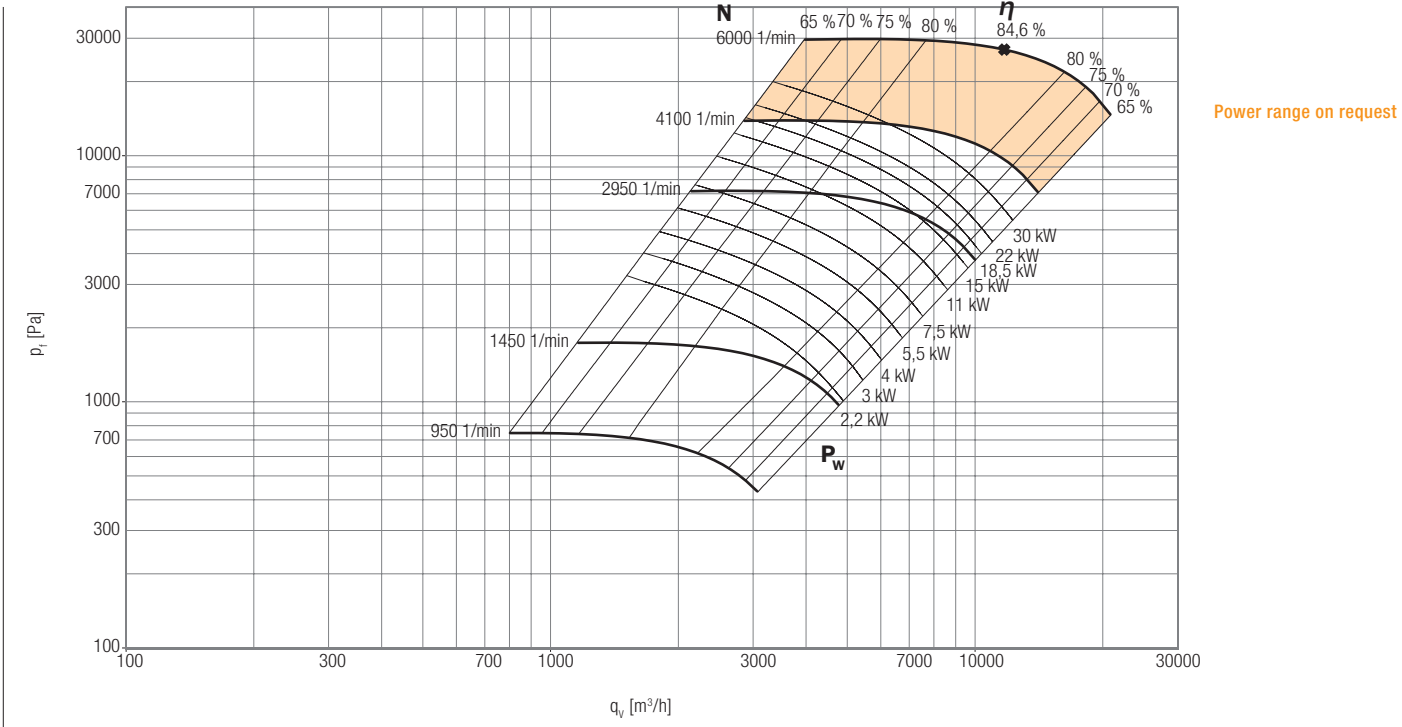
Order no. Fan	Motor power output [kW]	Speed [1/min]	Voltage [V] Connection	Nominal current [A]	Starting current [A]	Weight ca. [kg]	Order no. Z16	h^* / h^{**} [mm]	b [mm]	l [mm]
B100310	7.5	2940	400/690 Δ/Y	13.9	104.3	183	B149928	540/600	392	689
B100311	11	2930	400/690 Δ/Y	19.8	151.2	226	B149928	540/600	470	859
B100312	15	2930	400/690 Δ/Y	26.6	204.4	252	B149928	540/600	470	859
B100313	18.5	2937	400/690 Δ/Y	33.0	244.2	282	B149937	540/600	470	859
B100314	22	2940	400/690 Δ/Y	38.1	308.1	317	B149937	540/600	470	859
B100315	30	2950	400/690 Δ/Y	53.4	416.5	371	B149937	540/600	470	859
B100316	1.1	1440	230/400 Δ/Y	2.5	15.2	149	B148059	540/600	392	689
B100317	1.5	1445	230/400 Δ/Y	3.3	23.1	151	B148059	540/600	392	689
B100318	2.2	1440	230/400 Δ/Y	4.6	35.5	161	B148059	540/600	392	689
B100319	3	1440	230/400 Δ/Y	6.1	43.3	167	B148059	540/600	392	689
B100320	4	1445	400/690 Δ/Y	8.1	60.9	172	B148059	540/600	392	689
B100321	5.5	1455	400/690 Δ/Y	10.9	69.8	183	B149928	540/600	392	689
B100322	7.5	1455	400/690 Δ/Y	14.5	101.5	194	B149928	540/600	392	689



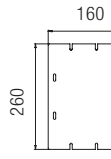





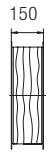

All indicated values for 400 V/50 Hz/3~.

h^* : Casing position: 0°, 90° h^{**} : Casing position: 270°

CREM01-35-0630 Centrifugal fan

Eatec by Pollrich DLK



- 
Z05 Protective grill suction side
 Ord. no. B151076
 - 
Z10 Flexible sleeve round
 Ord. no. B141028
 - 
Z13 Inspection hatch
 Ord. no. B240509
 - 
Z16 Rubber anti vibration mounts (see below)
 - 
Z18 Flange, round
 Ord. no. B101443
 - 
Z19 Flange, square
 Ord. no. B101228
 - 
Z45 Counter flange
 Ord. no. B101373
 - 
Z63 Transition piece, square to round
 Ord. no. B101498
 - 
Z81 Flexible sleeve square
 Ord. no. B101301
 - 
Z89 Condensate drain
 Ord. no. B240506
- Full specifications for accessories, see page 122

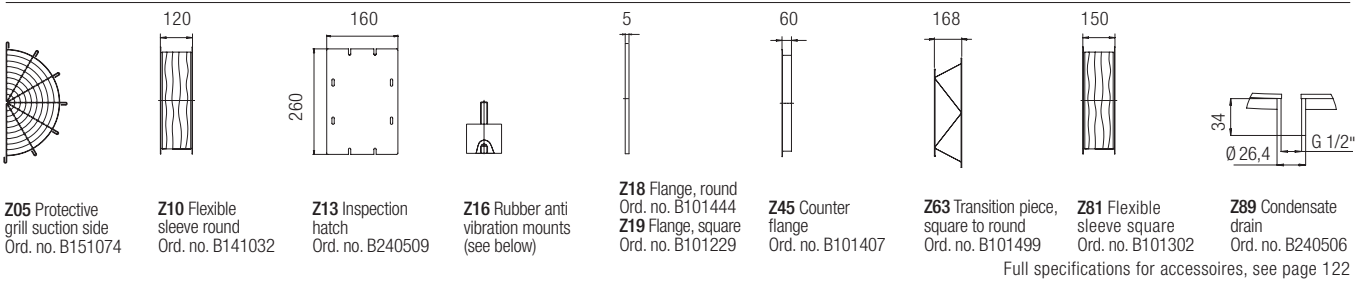
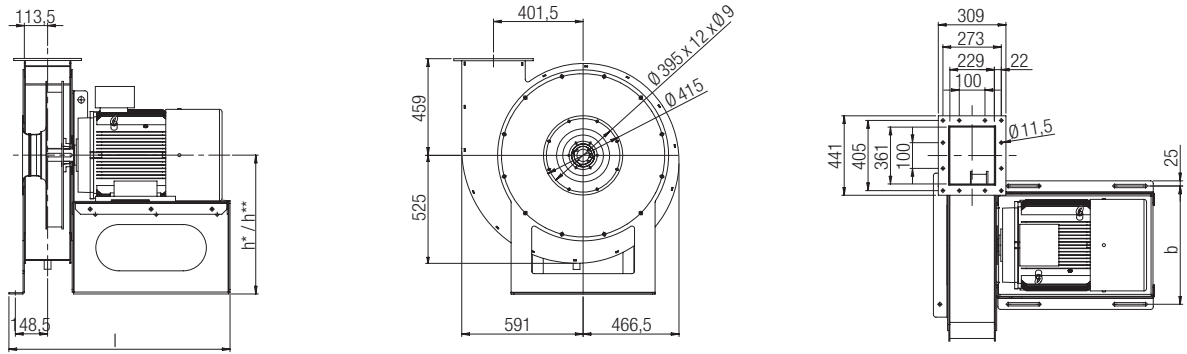
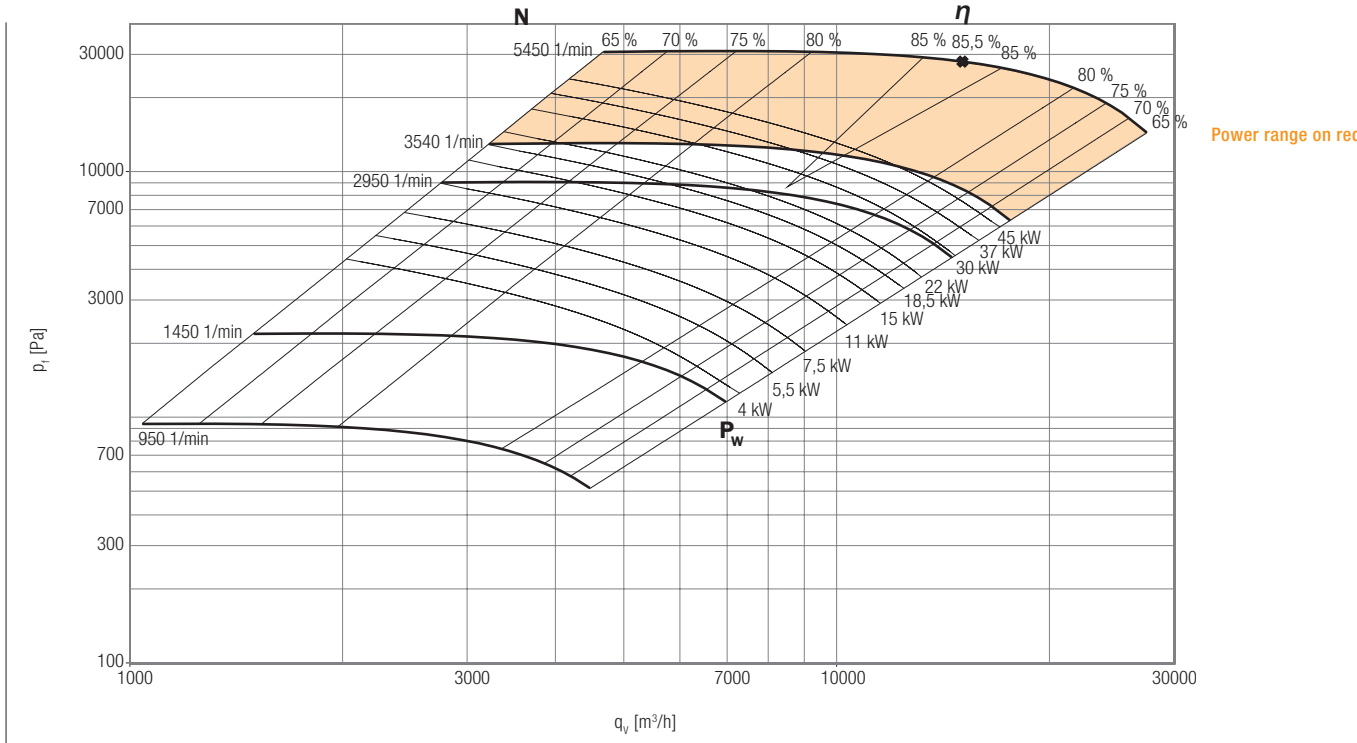
CREM01-35-0630-B

Order no. Fan	Motor power output [kW]	Speed [1/min]	Voltage [V] Connection	Nominal current [A]	Starting current [A]	Weight ca. [kg]	Order no. Z16	h* / h** [mm]	b [mm]	l [mm]
B100324	15	2930	400/690 Δ/Y	26.6	204.4	287	B149937	590/650	508	859
B100325	18.5	2937	400/690 Δ/Y	33.0	244.2	317	B149937	590/650	508	859
B100326	22	2940	400/690 Δ/Y	38.1	308.1	352	B149937	590/650	508	859
B100327	30	2950	400/690 Δ/Y	53.4	416.5	406	B149937	590/650	508	859
B100328	2.2	1440	230/400 Δ/Y	4.6	32.5	196	B149928	590/650	475	826
B100329	3	1440	230/400 Δ/Y	6.2	43.3	202	B149928	590/650	475	826
B100330	4	1445	400/690 Δ/Y	8.1	60.9	207	B149928	590/650	475	826
B100331	5.5	1455	400/690 Δ/Y	10.9	69.8	218	B149928	590/650	475	826
B100332	7.5	1455	400/690 Δ/Y	14.5	69.8	229	B149928	590/650	475	826
B100333	11	1460	400/690 Δ/Y	22.1	152.5	303	B149937	590/650	508	859
B100334	15	1460	400/690 Δ/Y	29.6	222.0	279	B149937	590/650	508	859

All indicated values for 400 V/50 Hz/3~. h*: Casing position: 0°, 90° h**: Casing position: 270°

CREM01-35-0710 Centrifugal fan

Etatec by Pollrich DLK



CREM01-35-0710-B

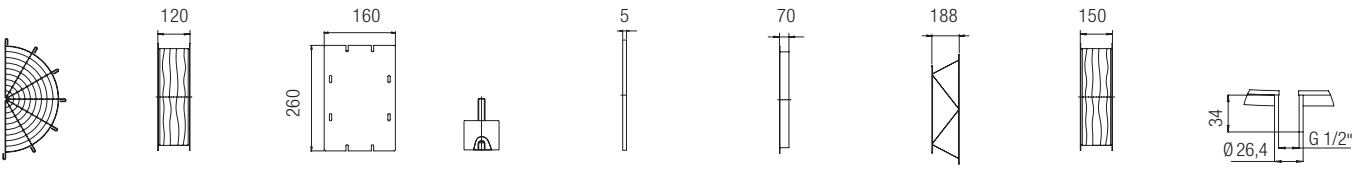
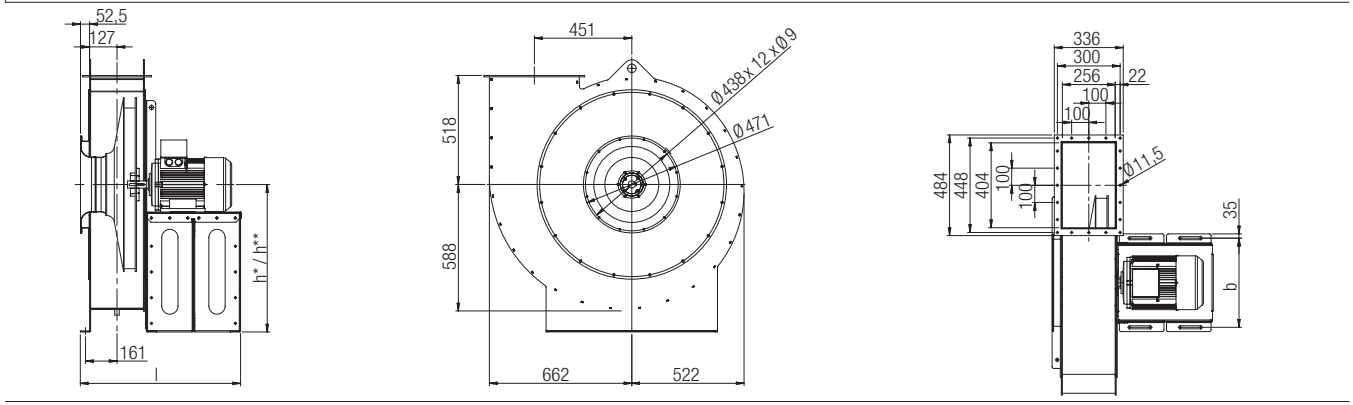
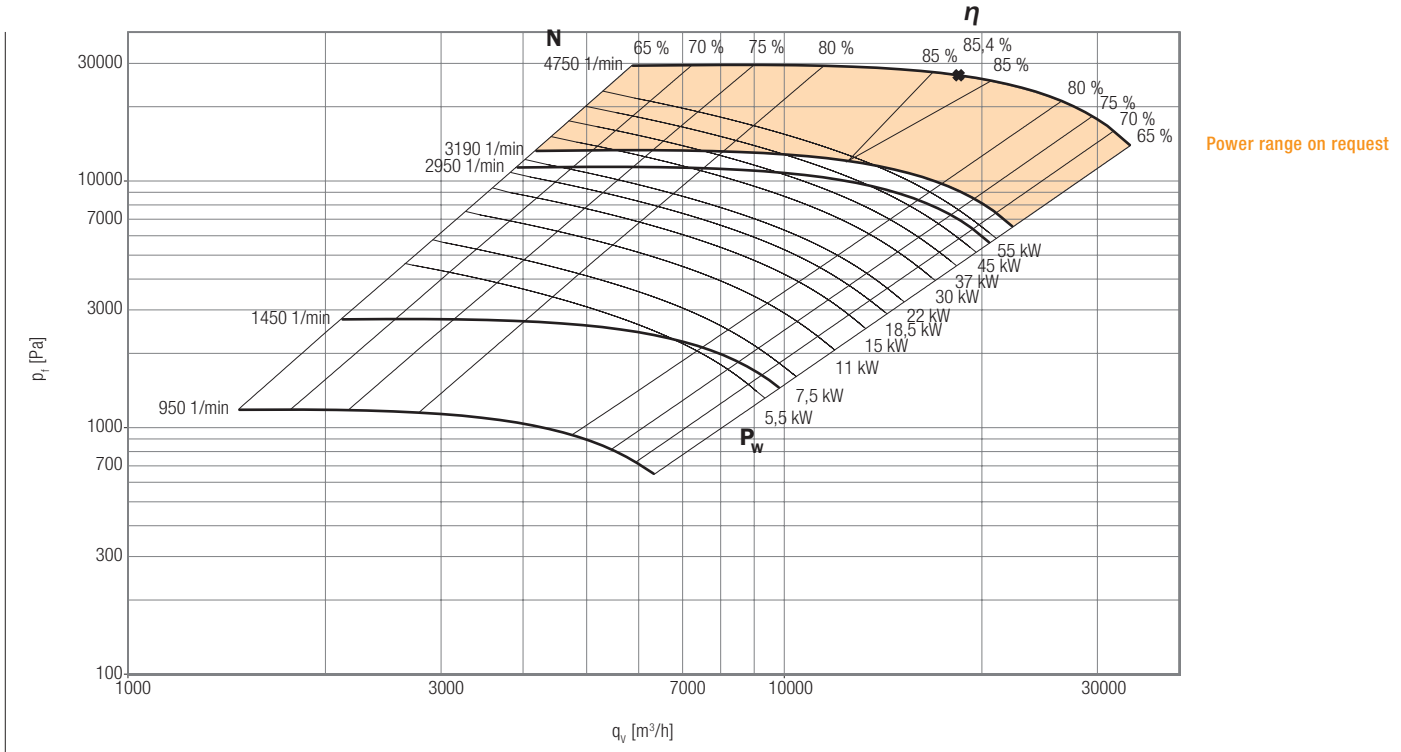
Order no. Fan	Motor power output [kW]	Speed [1/min]	Voltage [V] Connection	Nominal current [A]	Starting current [A]	Weight ca. [kg]	Order no. Z16	h* / h** [mm]	b [mm]	l [mm]
B100335	30	2950	400/690 Δ/Y	53.4	416.5	461	B149948	645/710	620	995
B100336	37	2950	400/690 Δ/Y	63.5	499.0	462	B149948	645/710	620	995
B100337	45	2960	400/690 Δ/Y	76.9	588.0	546	B149948	645/710	620	995
B100338	4	1445	400/690 Δ/Y	8.1	60.9	262	B149928	645/710	475	850
B100339	5.5	1455	400/690 Δ/Y	10.9	69.8	273	B149937	645/710	475	850
B100340	7.5	1455	400/690 Δ/Y	14.5	69.8	284	B149937	645/710	475	850
B100341	11	1460	400/690 Δ/Y	22.1	144.9	358	B149937	645/710	475	850
B100342	15	1460	400/690 Δ/Y	29.6	210.8	334	B149937	645/710	475	850
B100343	18.5	1470	400/690 Δ/Y	32.7	265.2	390	B149937	645/710	620	995
B100344	22	1470	400/690 Δ/Y	38.4	301.5	404	B149937	645/710	620	995

All indicated values for 400 V/50 Hz/3~.

h*: Casing position: 0°, 90° h**: Casing position: 270°

CREM01-35-0800 Centrifugal fan

Etetec by Pollrich DLK



- Z05** Protective grill suction side
Ord. no. B151061
- Z10** Flexible sleeve round
Ord. no. B141030
- Z13** Inspection hatch
Ord. no. B240509
- Z16** Rubber anti vibration mounts (see below)
- Z18** Flange, round
Ord. no. B101445
- Z19** Flange, square
Ord. no. B101230
- Z45** Counter flange
Ord. no. B101375
- Z63** Transition piece, square to round
Ord. no. B101500
- Z81** Flexible sleeve square
Ord. no. B101303
- Z89** Condensate drain
Ord. no. B240506

Full specifications for accessories, see page 122

CREM01-35-0800-B

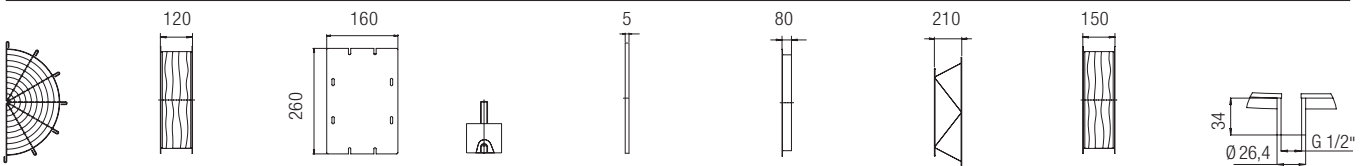
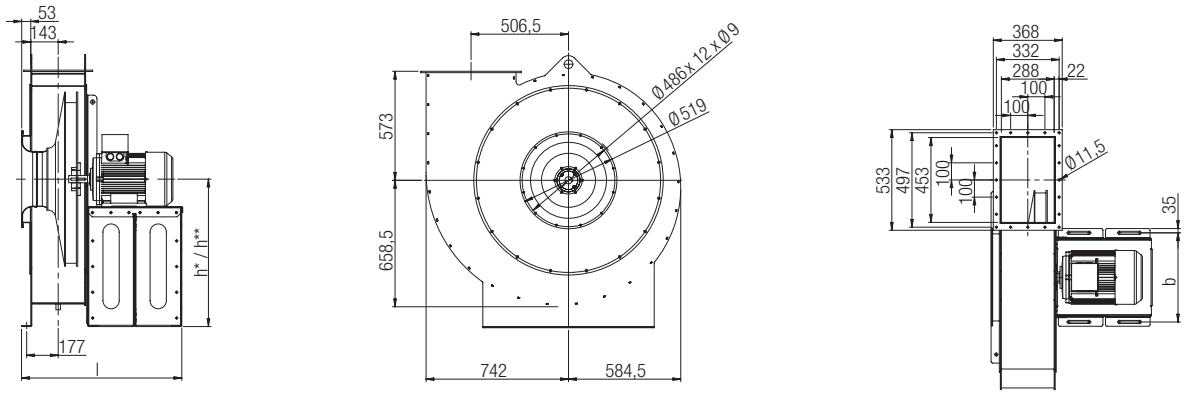
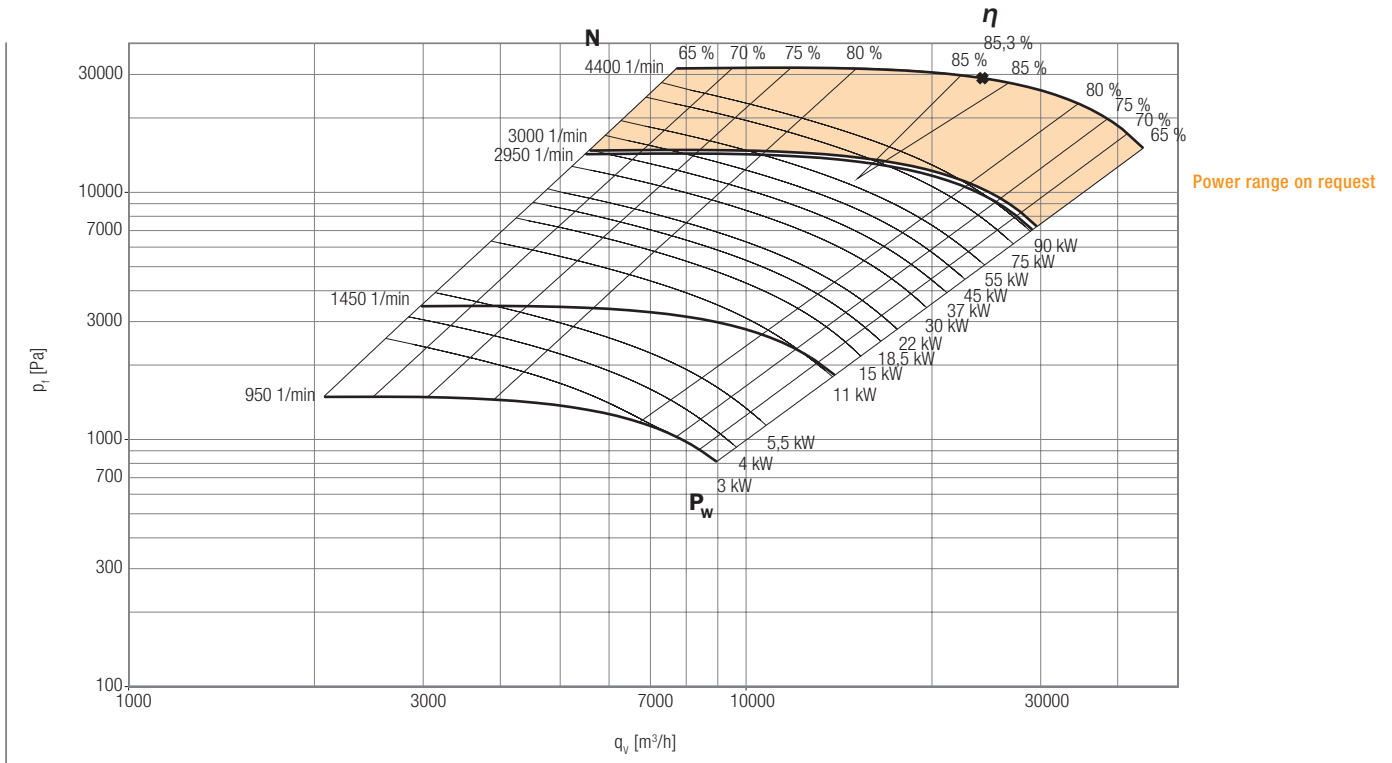
Order no. Fan	Motor power output [kW]	Speed [1/min]	Voltage [V] Connection	Nominal current [A]	Starting current [A]	Weight ca. [kg]	Order no. Z16	h* / h** [mm]	b [mm]	l [mm]
B100345	45	2960	400/690 Δ/Y	76.9	588.0	616	B149948	710/785	570	1040
B100346	55	2965	400/690 Δ/Y	93.6	671.0	672	B149948	710/785	570	1040
B100347	5.5	1455	400/690 Δ/Y	10.9	69.8	343	B149937	710/785	500	721
B100348	7.5	1455	400/690 Δ/Y	14.5	69.8	354	B149937	710/785	500	721
B100349	11	1460	400/690 Δ/Y	22.1	144.9	428	B149937	710/785	500	873
B100350	15	1460	400/690 Δ/Y	29.6	210.8	404	B149937	710/785	500	873
B100351	18.5	1470	400/690 Δ/Y	32.7	265.2	460	B149948	710/785	500	909
B100352	22	1470	400/690 Δ/Y	38.4	301.5	474	B149948	710/785	500	909
B100353	30	1470	400/690 Δ/Y	54.4	386.2	560	B149948	710/785	570	1000
B100354	37	1480	400/690 Δ/Y	66.2	496.5	600	B149948	710/785	570	1040
B100355	45	1480	400/690 Δ/Y	80.1	608.8	630	B149948	710/785	570	1040

All indicated values for 400 V/50 Hz/3~.

h*: Casing position: 0°, 90° h**: Casing position: 270°

CREM01-35-0900 Centrifugal fan

Etatec by Pollrich DLK



Z05 Protective grill suction side
Ord. no. B151081

Z10 Flexible sleeve round
Ord. no. B141031

Z13 Inspection hatch
Ord. no. B240509

Z16 Rubber anti vibration mounts (see below)

Z18 Flange, round
Ord. no. B101446
Z19 Flange, square
Ord. no. B101231

Z45 Counter flange
Ord. no. B101376

Z63 Transition piece, square to round
Ord. no. B101501

Z81 Flexible sleeve square
Ord. no. B101304

Z89 Condensate drain
Ord. no. B240506

Full specifications for accessoires, see page 122

CREM01-35-0900-B

Order no. Fan	Motor power output [kW]	Speed [1/min]	Voltage [V] Connection	Nominal current [A]	Starting current [A]	Weight ca. [kg]	Order no. Z16	h* / h** [mm]	b [mm]	l [mm]
B100356	75	2970	400/690 Δ/Y	127.0	947.2	935	B250291	780/865	653.4	1198
B100357	90	2970	400/690 Δ/Y	150.0	1155.2	980	B250291	780/865	653.4	1198
B100358	11	1460	400/690 Δ/Y	22.1	144.9	548	B149948	780/865	513	901
B100359	15	1460	400/690 Δ/Y	29.6	210.8	524	B149948	780/865	513	901
B100360	18.5	1470	400/690 Δ/Y	32.7	265.2	580	B149948	780/865	513	937
B100361	22	1470	400/690 Δ/Y	38.4	301.5	594	B149948	780/865	513	937
B100362	30	1470	400/690 Δ/Y	54.4	386.2	680	B149948	780/865	513	1028
B100363	37	1480	400/690 Δ/Y	66.2	496.5	720	B149948	780/865	653.4	1065
B100364	45	1480	400/690 Δ/Y	80.1	608.8	750	B149948	780/865	653.4	1065
B100367	3	964	230/400 Δ/Y	6.8	30.7	454	B149948	780/865	513	749
B100368	4	965	400/690 Δ/Y	9.0	44.8	463	B149948	780/865	513	749
B100369	5.5	965	400/690 Δ/Y	12.0	66.0	474	B149948	780/865	513	749
B100370	7.5	970	400/690 Δ/Y	15.9	103.4	510	B149948	780/865	513	901

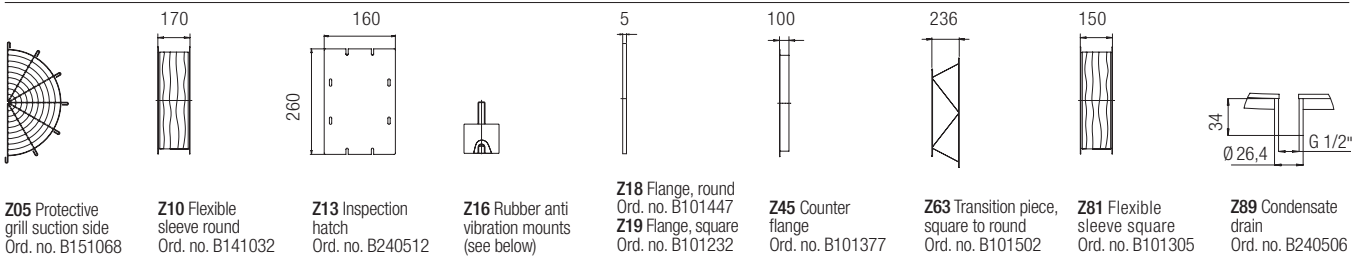
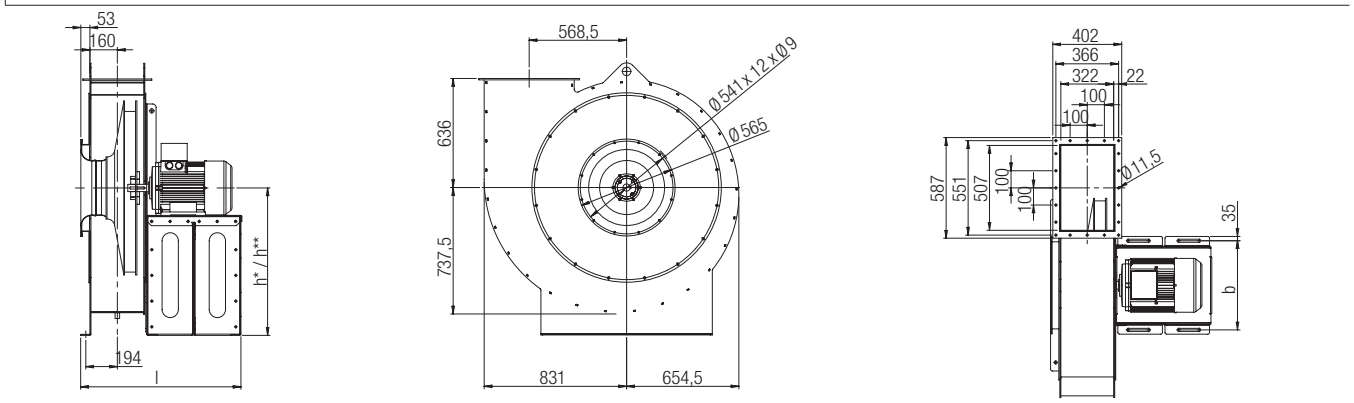
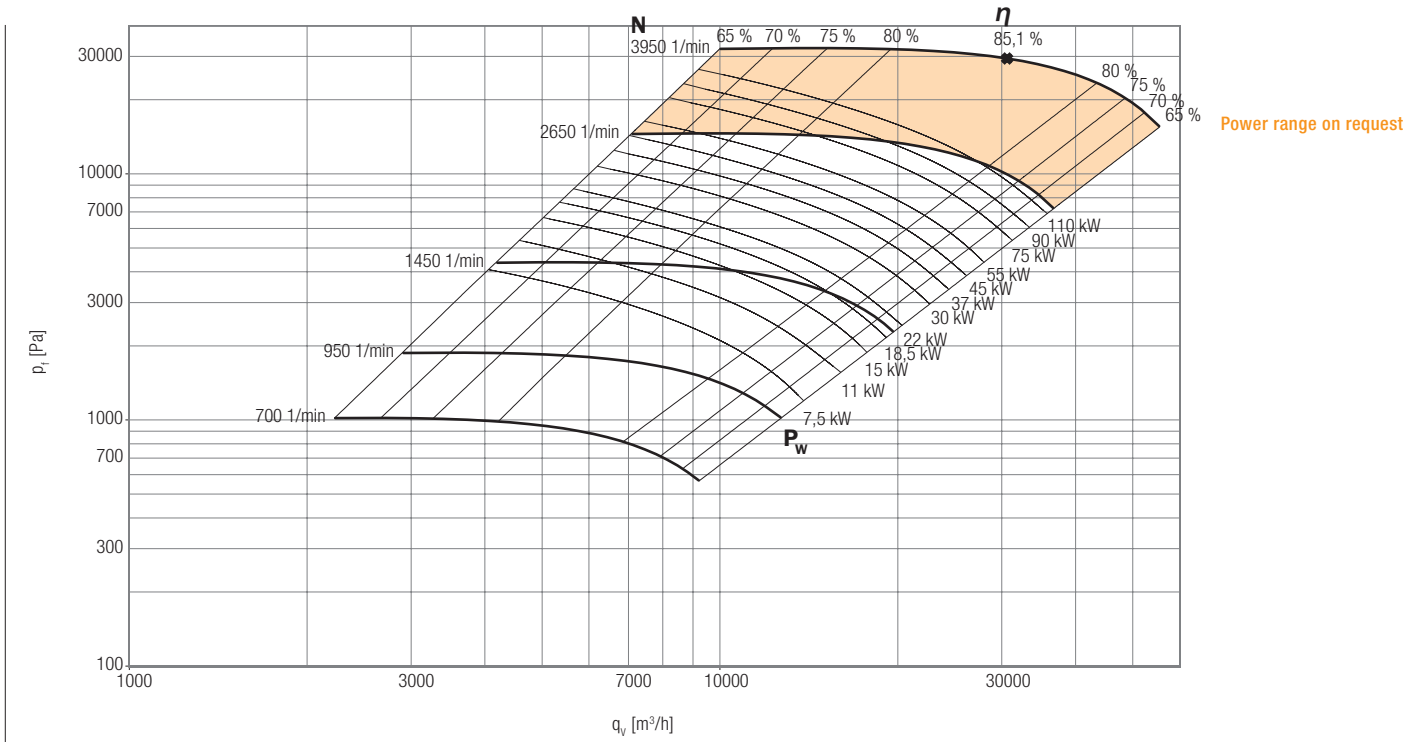
All indicated values for 400 V/50 Hz/3~.

h*: Casing position: 0°, 90°

h**: Casing position: 270°

CREM01-35-1000 Centrifugal fan

Eatec by Pollrich DLK



Full specifications for accessoires, see page 122

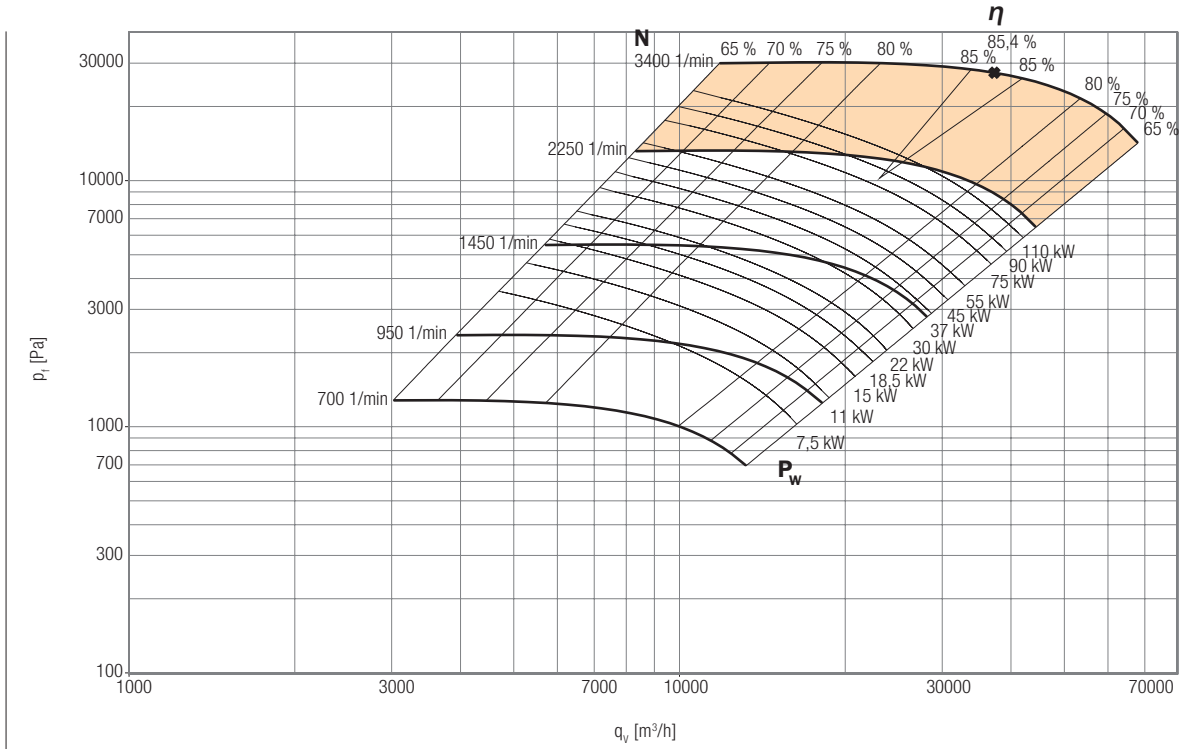
Order no. Fan	Motor power output [kW]	Speed [1/min]	Voltage [V] Connection	Nominal current [A]	Starting current [A]	Weight ca. [kg]	Order no. Z16	h* / h** [mm]	b [mm]	l [mm]
B100374	15	1460	400/690 Δ/Y	29.6	222.0	644	B149948	860/950	520	935
B100375	18.5	1470	400/690 Δ/Y	32.7	255.3	700	B149948	860/950	520	971
B100376	22	1470	400/690 Δ/Y	38.4	288.2	714	B149948	860/950	520	971
B100377	30	1470	400/690 Δ/Y	54.4	386.2	800	B149948	860/950	520	1062
B100378	37	1480	400/690 Δ/Y	66.2	496.5	840	B149948	860/950	714.4	1102
B100379	45	1480	400/690 Δ/Y	80.1	608.8	870	B149948	860/950	714.4	1102
B100380	55	1480	400/690 Δ/Y	96.7	705.9	925	B250291	860/950	714.4	1163
B100381	75	1480	400/690 Δ/Y	131.0	995.6	1045	B250291	860/950	714.4	1235
B100382	90	1480	400/690 Δ/Y	157.0	1177.5	1141	B250291	860/950	714.4	1235
B100383	110	1485	400/690 Δ/Y	191.0	1356.1	1480	B250291	860/950	714.4	1438
B100384	7.5	970	400/690 Δ/Y	15.9	103.4	630	B149948	860/950	520	935
B100385	11	970	400/690 Δ/Y	22.1	166.1	679	B149948	860/950	520	935
B100386	15	975	400/690 Δ/Y	29.8	190.7	728	B149948	860/950	520	971

All indicated values for 400 V/50 Hz/3~.

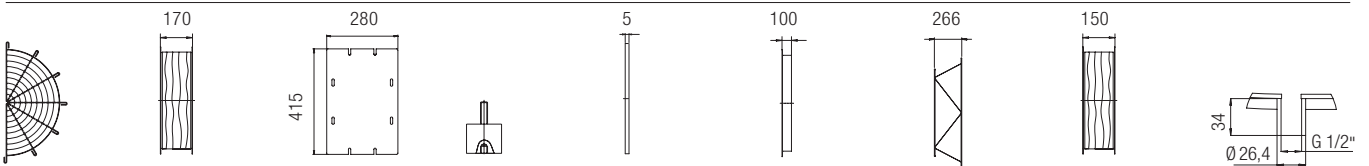
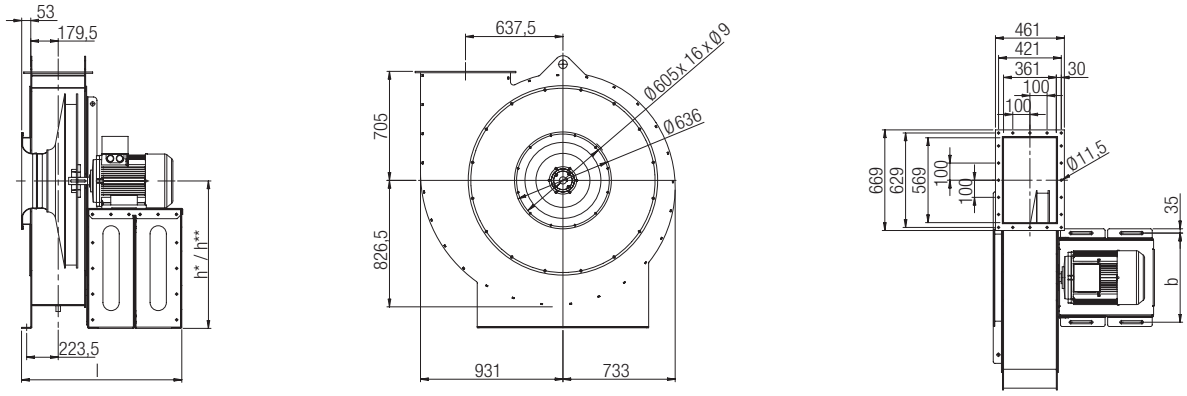
h*: Casing position: 0°, 90° h**: Casing position: 270°

CREM01-35-1120 Centrifugal fan

Etatec by Pollrich DLK



Power range on request



Z05 Protective grill suction side
Ord. no. B151066

Z10 Flexible sleeve round
Ord. no. B141033

Z13 Inspection hatch
Ord. no. B240512

Z16 Rubber anti vibration mounts
(see below)

Z18 Flange, round
Ord. no. B101448
Z19 Flange, square
Ord. no. B101233

Z45 Counter flange
Ord. no. B101378

Z63 Transition piece, square to round
Ord. no. B101503

Z81 Flexible sleeve square
Ord. no. B101306

Z89 Condensate drain
Ord. no. B240506

CREM01-35-1120-B

Full specifications for accessoires, see page 122

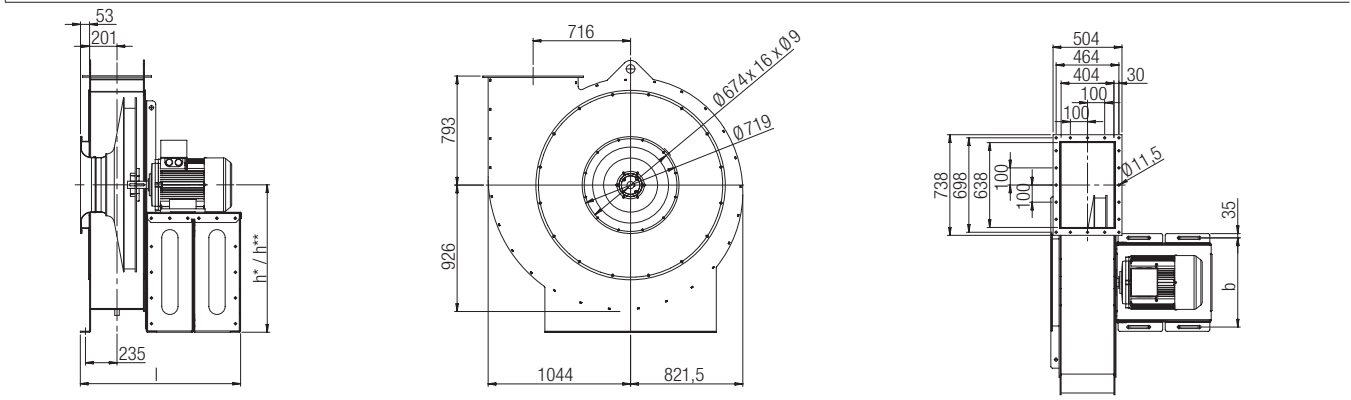
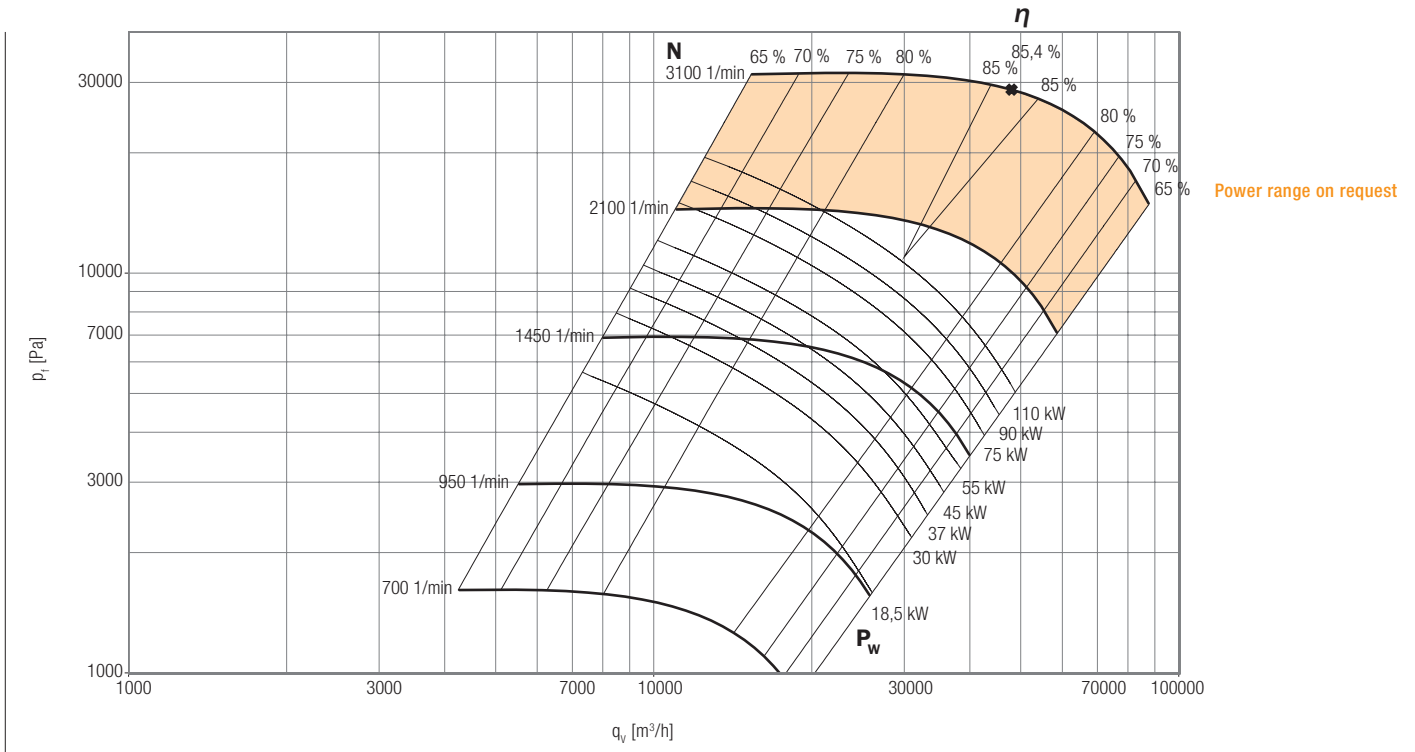
Order no. Fan	Motor power output [kW]	Speed [1/min]	Voltage [V] Connection	Nominal current [A]	Starting current [A]	Weight ca. [kg]	Order no. Z16	h^* / h^{**} [mm]	b [mm]	l [mm]
B100387	30	1470	400/690 Δ/Y	54.4	386.2	890	B149948	950/1055	560	1118
B100388	37	1480	400/690 Δ/Y	66.2	496.5	930	B250291	950/1055	560	1158
B100389	45	1480	400/690 Δ/Y	80.1	608.8	960	B250291	950/1055	560	1158
B100390	55	1480	400/690 Δ/Y	96.7	705.9	1015	B250291	950/1055	786.6	1219
B100391	75	1480	400/690 Δ/Y	131.0	995.6	1135	B250291	950/1055	786.6	1291
B100392	90	1480	400/690 Δ/Y	157.0	1177.5	1231	B250291	950/1055	786.6	1291
B100393	110	1485	400/690 Δ/Y	191.0	1356.1	1570	B250291	950/1055	786.6	1494
B100394	18.5	980	400/690 Δ/Y	35.7	249.9	820	B149948	950/1055	560	1118
B100395	22	980	400/690 Δ/Y	41.6	291.2	848	B149948	950/1055	560	1118
B100396	30	980	400/690 Δ/Y	56.2	365.3	916	B149948	950/1055	560	1158
B100397	7.5	720	400/690 Δ/Y	16.9	101.4	707	B149948	950/1055	560	991
B100398	11	730	400/690 Δ/Y	23.4	140.4	780	B149948	950/1055	560	1027
B100399	15	730	400/690 Δ/Y	32.1	211.9	848	B149948	950/1055	560	1118


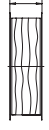
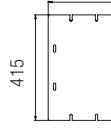







All indicated values for 400 V/50 Hz/3~.

h^* : Casing position: 0°, 90° h^{**} : Casing position: 270°

CREM01-35-1250 Centrifugal fan

Eatec by Pollrich DLK



- 
Z05 Protective grill suction side
 Ord. no. B151088
- 
Z10 Flexible sleeve round
 Ord. no. B141035
- 
Z13 Inspection hatch
 Ord. no. B240512
- 
Z16 Rubber anti vibration mounts (see below)
- 
Z18 Flange, round
 Ord. no. B101449
- 
Z19 Flange, square
 Ord. no. B101234
- 
Z45 Counter flange
 Ord. no. B101379
- 
Z63 Transition piece, square to round
 Ord. no. B101504
- 
Z81 Flexible sleeve square
 Ord. no. B101307
- 
Z89 Condensate drain
 Ord. no. B240506

Full specifications for accessoires, see page 122

CREM01-35-1250-B

Order no. Fan	Motor power output [kW]	Speed [1/min]	Voltage [V] Connection	Nominal current [A]	Starting current [A]	Weight ca. [kg]	Order no. Z16	h^*/h^{**} [mm]	b [mm]	l [mm]
B100401	45	1480	400/690 Δ/Y	80.1	608.8	1161	B250291	1050/1165	758	1184
B100402	55	1480	400/690 Δ/Y	96.7	705.9	1216	B250291	1050/1165	758	1245
B100403	75	1480	400/690 Δ/Y	131.0	995.6	1336	B250291	1050/1165	758	1317
B100404	90	1480	400/690 Δ/Y	157.0	1177.5	1432	B250291	1050/1165	758	1317
B100405	110	1485	400/690 Δ/Y	191.0	1356.1	1771	B250291	1050/1165	758	1520
B100406	30	980	400/690 Δ/Y	56.2	365.3	1117	B250291	1050/1165	758	1184
B100407	37	980	400/690 Δ/Y	66.9	461.6	1201	B250291	1050/1165	758	1245
B100408	45	980	400/690 Δ/Y	80.4	562.8	1311	B250291	1050/1165	758	1317
B100409	18.5	730	400/690 Δ/Y	39.0	257.4	1063	B250291	1050/1165	758	1184

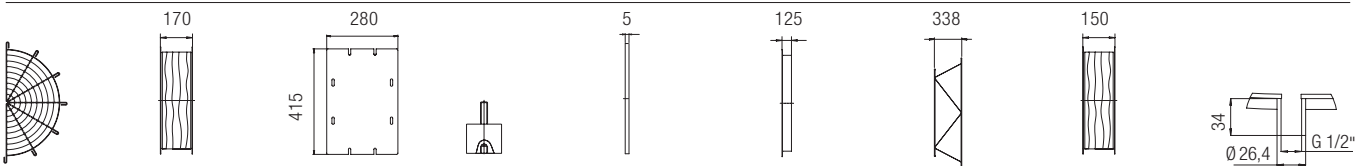
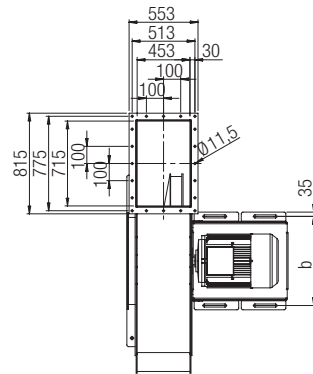
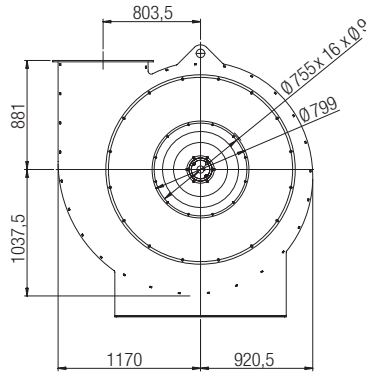
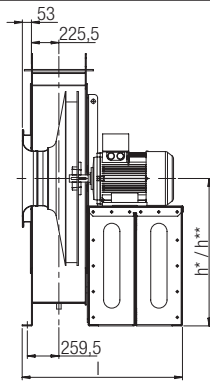
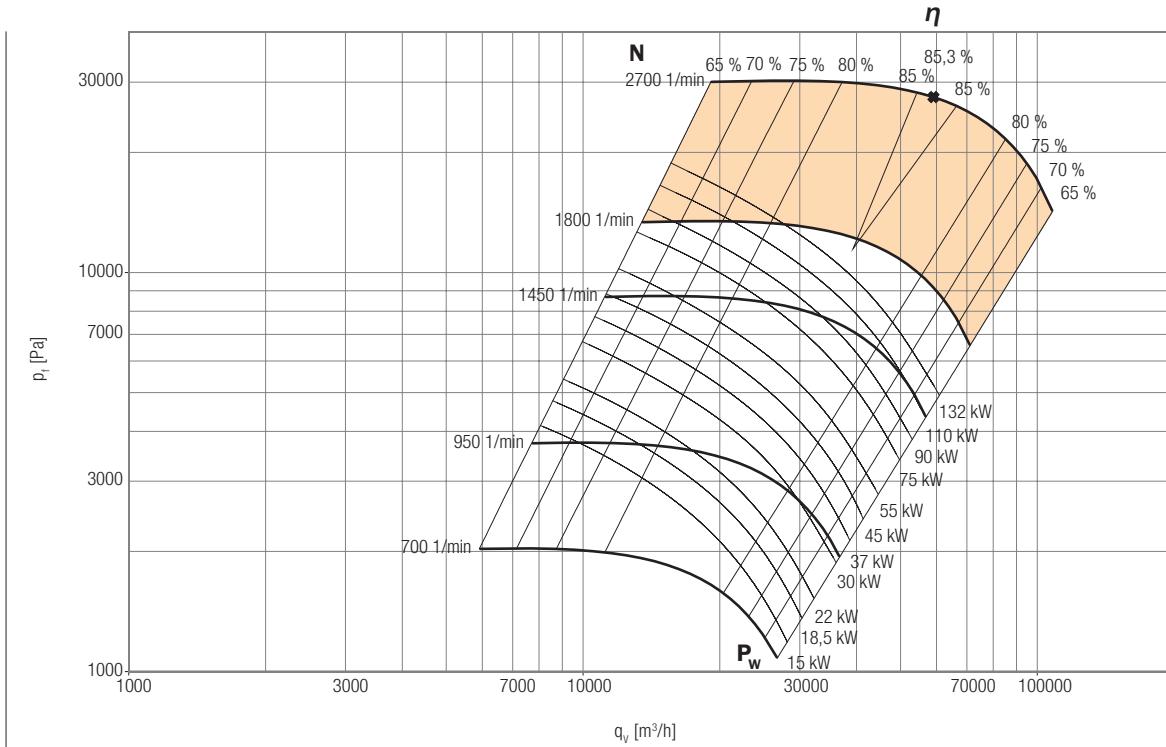
All indicated values for 400 V/50 Hz/3~.

h^* : Casing position: 0°, 90°

h^{**} : Casing position: 270°

CREM01-35-1400 Centrifugal fan

Etatec by Pollrich DLK



Z05 Protective grill suction side
Ord. no. B151072

Z10 Flexible sleeve round
Ord. no. B141036

Z13 Inspection hatch
Ord. no. B240512

Z16 Rubber anti vibration mounts (see below)

Z18 Flange, round
Ord. no. B101450
Z19 Flange, square
Ord. no. B101235

Z45 Counter flange
Ord. no. B101380

Z63 Transition piece, square to round
Ord. no. B101505

Z81 Flexible sleeve square
Ord. no. B101440

Z89 Condensate drain
Ord. no. B240506

Full specifications for accessoires, see page 122

CREM01-35-1400-B

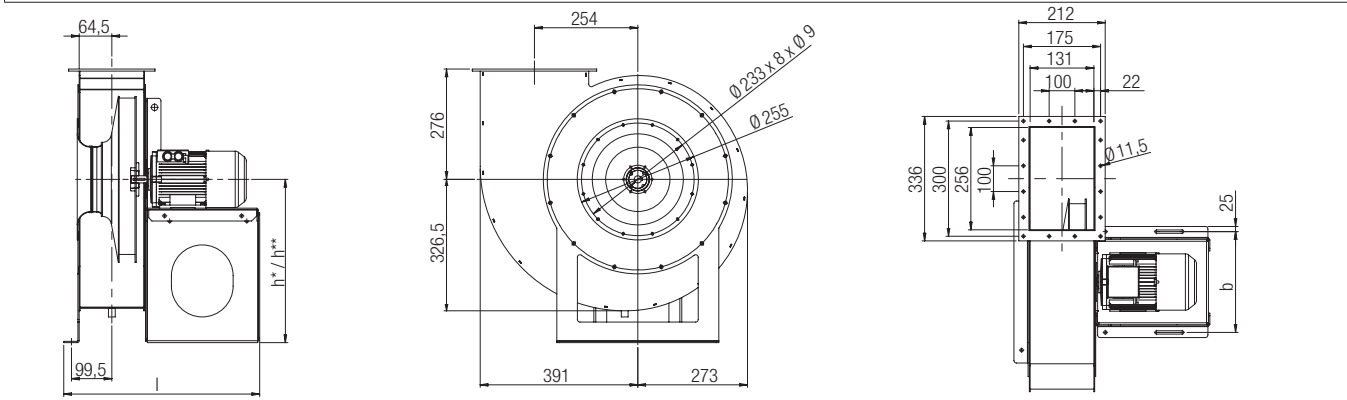
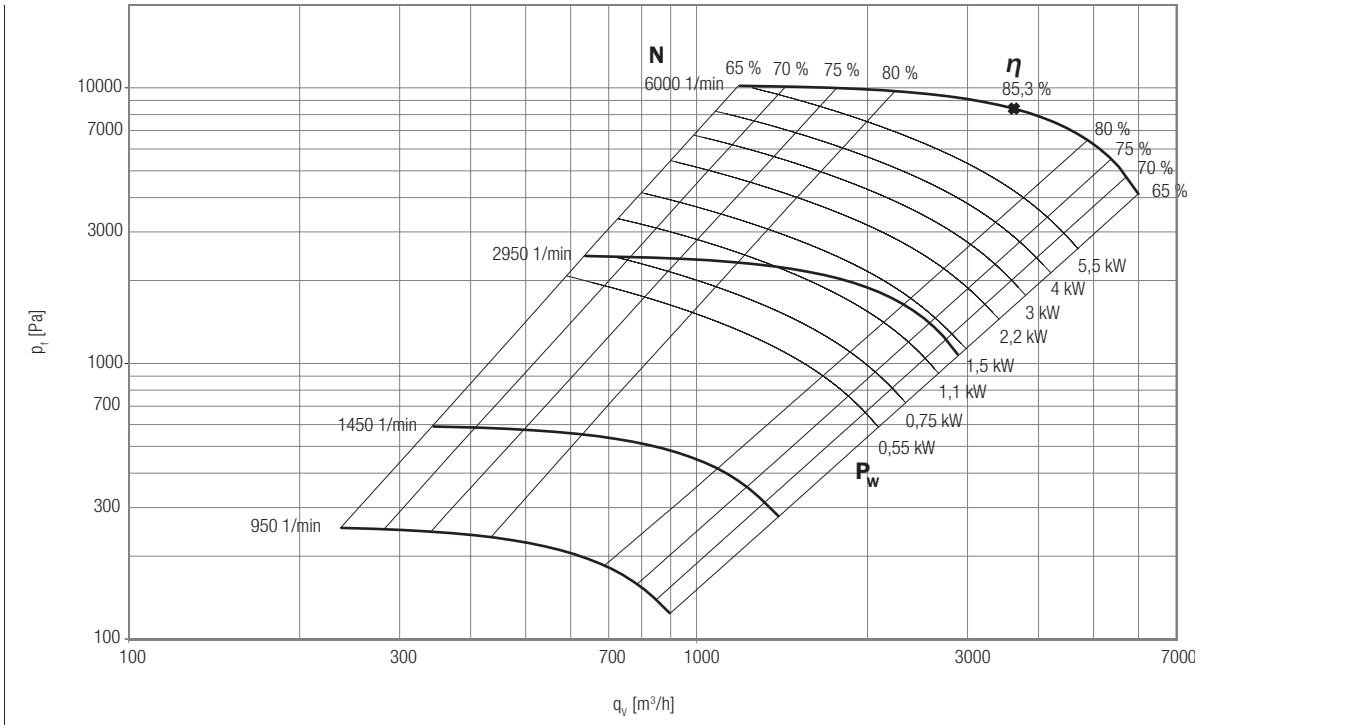
Order no.	Motor power output [kW]	Speed [1/min]	Voltage [V] Connection	Nominal current [A]	Starting current [A]	Weight ca. [kg]	Order no.	h* / h** [mm]	b [mm]	l [mm]
B100410	75	1480	400/690 Δ/Y	131.0	995.6	1450	B250291	1160/1290	760	1368
B100411	90	1480	400/690 Δ/Y	157.0	1177.5	1546	B250291	1160/1290	760	1368
B100412	110	1485	400/690 Δ/Y	191.0	1356.1	1885	B250291	1160/1290	760	1571
B100413	132	1485	400/690 Δ/Y	228.0	1664.4	1972	B250291	1160/1290	760	1571
B100414	18.5	980	400/690 Δ/Y	35.7	249.9	1135	B250291	1160/1290	574	1195
B100415	22	980	400/690 Δ/Y	41.6	291.2	1163	B250291	1160/1290	574	1195
B100416	30	980	400/690 Δ/Y	56.2	365.3	1231	B250291	1160/1290	574	1235
B100417	37	980	400/690 Δ/Y	66.9	461.6	1315	B250291	1160/1290	760	1296
B100418	45	980	400/690 Δ/Y	80.4	562.8	1425	B250291	1160/1290	760	1368
B100419	55	980	400/690 Δ/Y	96.6	685.9	1480	B250291	1160/1290	760	1368
B100420	75	985	400/690 Δ/Y	132.1	964.3	1850	B250291	1160/1290	760	1571
B100421	15	730	400/690 Δ/Y	32.1	211.9	1163	B250291	1160/1290	574	1195
B100422	18.5	730	400/690 Δ/Y	39.0	257.4	1177	B250291	1160/1290	574	1235

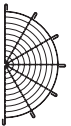
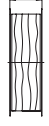
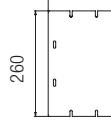





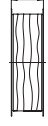

All indicated values for 400 V/50 Hz/3~.

h*: Casing position: 0°, 90° h**: Casing position: 270°

CREM01-40-0400 Centrifugal fan

Eatec by Pollrich DLK



- 
Z05 Protective grill suction side
 Ord. no. B101459
- 
Z10 Flexible sleeve round
 Ord. no. B101462
- 
Z13 Inspection hatch
 Ord. no. B240514
- 
Z16 Rubber anti vibration mounts
 (see below)
- 
Z18 Flange, round
 Ord. no. B101465
- 
Z19 Flange, square
 Ord. no. B101236
- 
Z45 Counter flange
 Ord. no. B101381
- 
Z63 Transition piece, square to round
 Ord. no. B101506
- 
Z81 Flexible sleeve square
 Ord. no. B101308
- 
Z89 Condensate drain
 Ord. no. B240506

Full specifications for accessoires, see page 122

CREM01-40-0400-B

Order no. Fan	Motor power output [kW]	Speed [1/min]	Voltage [V] Connection	Nominal current [A]	Starting current [A]	Weight ca. [kg]	Order no. Z16	h* / h** [mm]	b [mm]	l [mm]
B100423	1.5	2890	230/400 Δ/Y	3.2	22.7	80	B149380	450/515	418	537
B100424	2.2	2890	230/400 Δ/Y	4.5	31.1	84	B149380	450/516	418	537
B100425	3	2891	230/400 Δ/Y	5.9	47.2	91	B149380	450/517	418	537
B100426	4	2914	400/690 Δ/Y	7.6	57.0	94	B149380	450/518	418	620
B100427	5.5	2937	400/690 Δ/Y	10.6	79.5	110	B149380	450/519	418	620
B100428	0.55	1390	230/400 Δ/Y	1.5	7.5	75	B149380	450/520	418	537
B100429	0.75	1400	230/400 Δ/Y	1.8	9.0	77	B149380	450/521	418	537
B100430	1.1	1440	230/400 Δ/Y	2.5	15.0	81	B149380	450/522	418	537
B100431	1.5	1445	230/400 Δ/Y	3.4	23.1	83	B149380	450/523	418	537

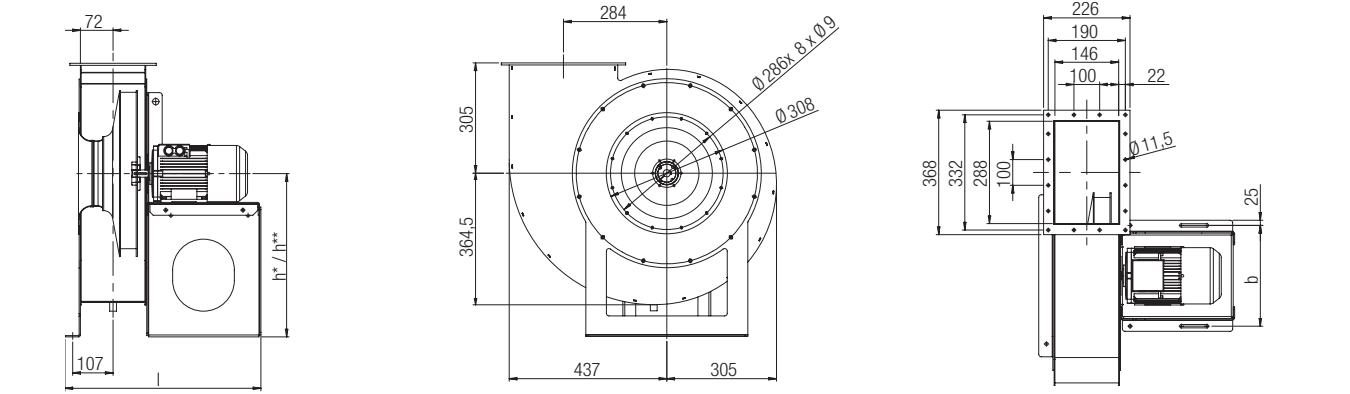
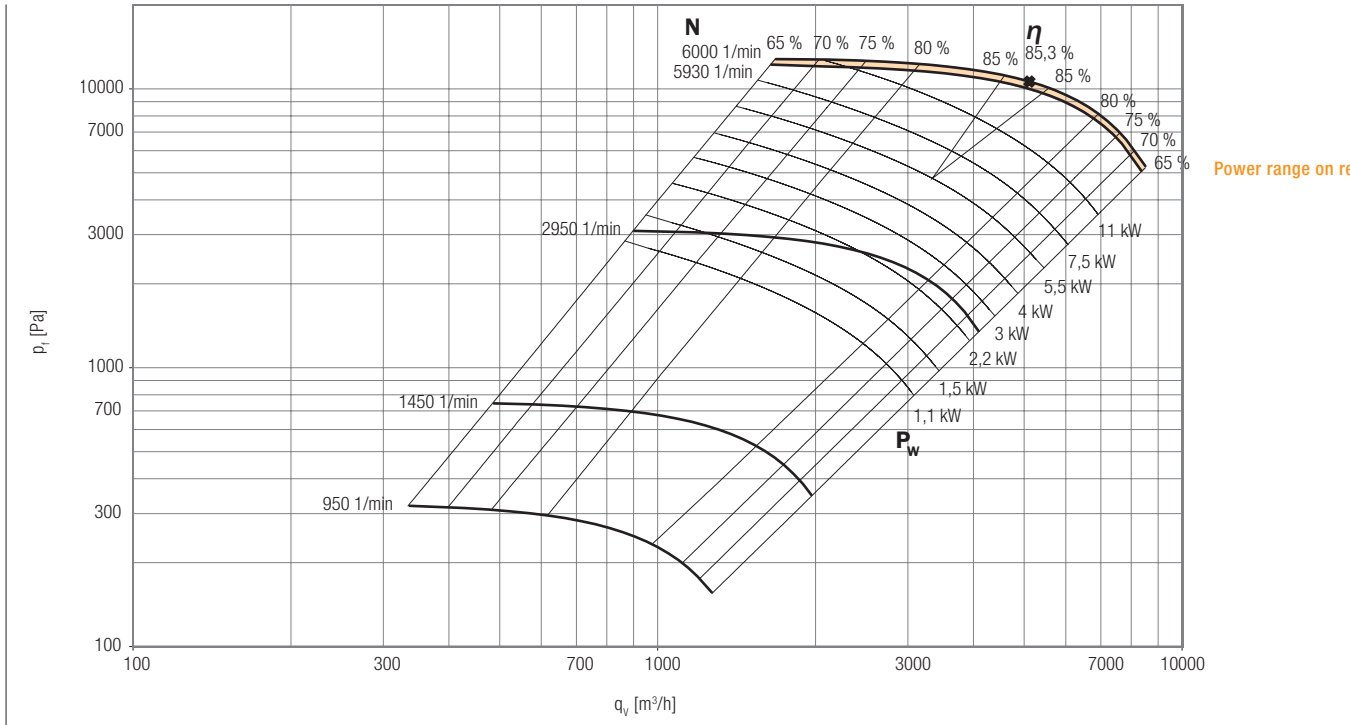
All indicated values for 400 V/50 Hz/3~.


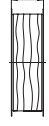
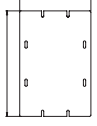






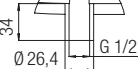
h*: Casing position: 0°, 90°

h**: Casing position: 270°

CREM01-40-0450 Centrifugal fan

Etatec by Pollrich DLK



- 
Z05 Protective grill suction side
 Ord. no. B151080
 - 
Z10 Flexible sleeve round
 Ord. no. B140894
 - 
Z13 Inspection hatch
 Ord. no. B240514
 - 
Z16 Rubber anti vibration mounts (see below)
 - 
Z18 Flange, round
 Ord. no. B101441
 - 
Z19 Flange, square
 Ord. no. B101237
 - 
Z45 Counter flange
 Ord. no. B101382
 - 
Z63 Transition piece, square to round
 Ord. no. B101507
 - 
Z81 Flexible sleeve square
 Ord. no. B101309
 - 
Z89 Condensate drain
 Ord. no. B240506
- Full specifications for accessoires, see page 122

CREM01-40-0450-B

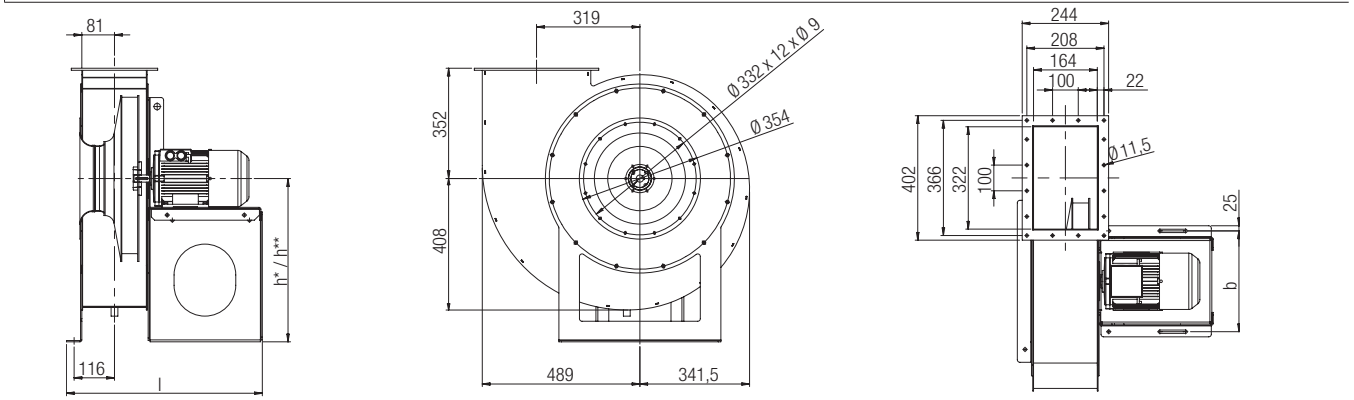
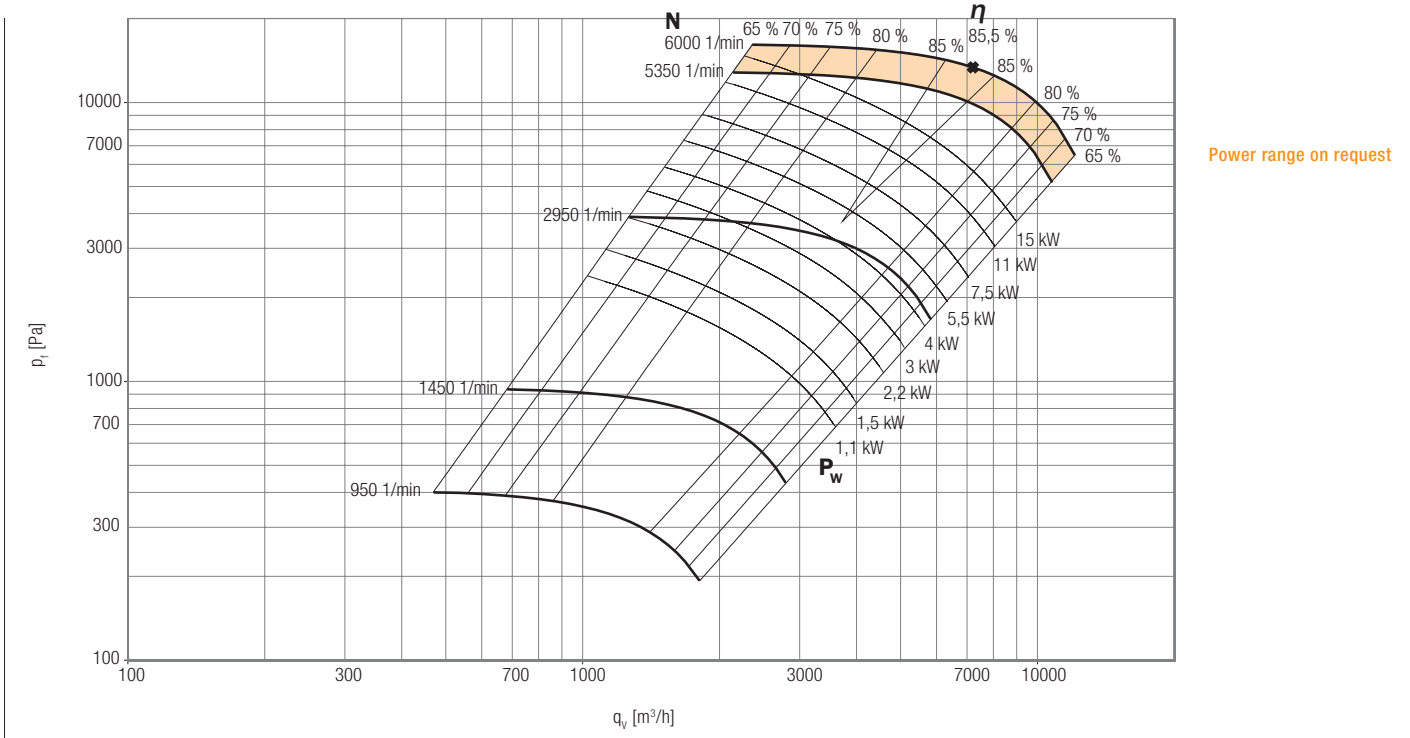
Order no. Fan	Motor power output [kW]	Speed [1/min]	Voltage [V] Connection	Nominal current [A]	Starting current [A]	Weight ca. [kg]	Order no. Z16	h^* / h^{**} [mm]	b [mm]	l [mm]
B100432	3	2891	230/400 Δ/Y	5.9	47.2	129	B148059	485/560	378	652
B100433	4	2914	400/690 Δ/Y	7.6	57.0	132	B148059	485/561	378	652
B100434	5.5	2937	400/690 Δ/Y	10.6	79.5	148	B148059	485/562	457	779
B100435	7.5	2940	400/690 Δ/Y	13.9	104.3	153	B148059	485/563	457	779
B100436	11	2930	400/690 Δ/Y	19.9	151.2	196	B149928	485/564	457	779
B100437	1.1	1440	230/400 Δ/Y	2.5	15.0	119	B148059	485/565	378	652
B100438	1.5	1445	230/400 Δ/Y	3.4	23.1	121	B148059	485/566	378	652
B100439	2.2	1440	230/400 Δ/Y	4.6	32.2	131	B148059	485/567	378	652
B100440	3	1440	230/400 Δ/Y	6.2	43.4	137	B148059	485/568	378	652

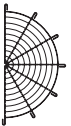
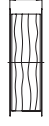
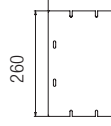





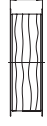

All indicated values for 400 V/50 Hz/3~.

h^* : Casing position: 0°, 90° h^{**} : Casing position: 270°

CREM01-40-0500 Centrifugal fan

Eatec by Pollrich DLK



- 
Z05 Protective grill suction side
 Ord. no. B151078
- 
Z10 Flexible sleeve round
 Ord. no. B141027
- 
Z13 Inspection hatch
 Ord. no. B240514
- 
Z16 Rubber anti vibration mounts (see below)
- 
Z18 Flange, round
 Ord. no. B101442
- 
Z19 Flange, square
 Ord. no. B101238
- 
Z45 Counter flange
 Ord. no. B101383
- 
Z63 Transition piece, square to round
 Ord. no. B101508
- 
Z81 Flexible sleeve square
 Ord. no. B101310
- 
Z89 Condensate drain
 Ord. no. B240506

Full specifications for accessoires, see page 122

CREM01-40-0500-B

Order no. Fan	Motor power output [kW]	Speed [1/min]	Voltage [V] Connection	Nominal current [A]	Starting current [A]	Weight ca. [kg]	Order no. Z16	h* / h** [mm]	b [mm]	l [mm]
B100441	5.5	2937	400/690 Δ/Y	10.6	79.5	163	B148059	530/610	496	840
B100442	7.5	2940	400/690 Δ/Y	13.9	104.3	168	B148059	530/610	496	840
B100443	11	2930	400/690 Δ/Y	19.9	151.2	211	B149928	530/610	496	840
B100444	15	2930	400/690 Δ/Y	26.6	202.2	237	B149928	530/610	496	840
B100445	1.1	1440	230/400 Δ/Y	2.5	15.0	134	B148059	530/610	392	625
B100446	1.5	1445	230/400 Δ/Y	3.4	23.1	136	B148059	530/610	392	625
B100447	2.2	1440	230/400 Δ/Y	4.6	32.2	146	B148059	530/610	392	625
B100448	3	1440	230/400 Δ/Y	6.2	43.4	152	B148059	530/610	392	625
B100449	4	1445	400/690 Δ/Y	8.1	60.8	157	B148059	530/610	392	625
B100450	5.5	1455	400/690 Δ/Y	10.9	69.8	168	B148059	530/610	496	840

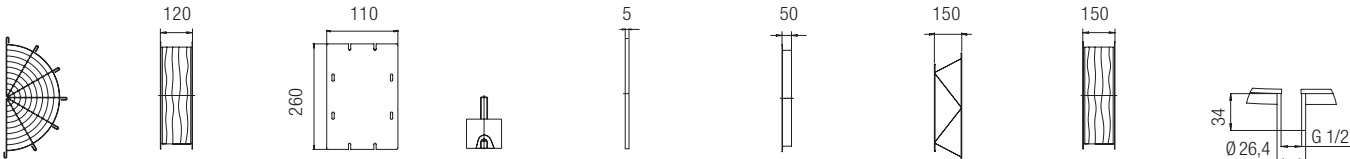
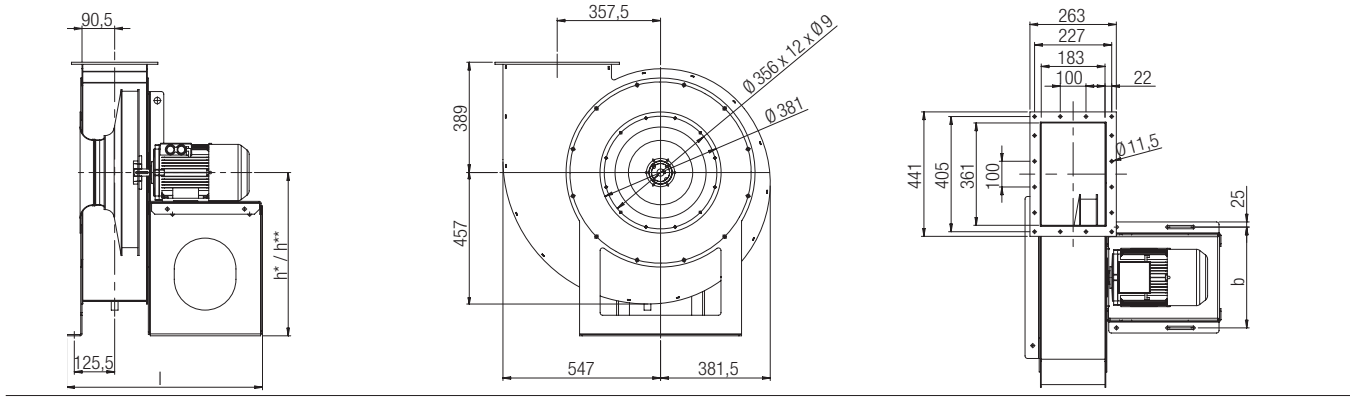
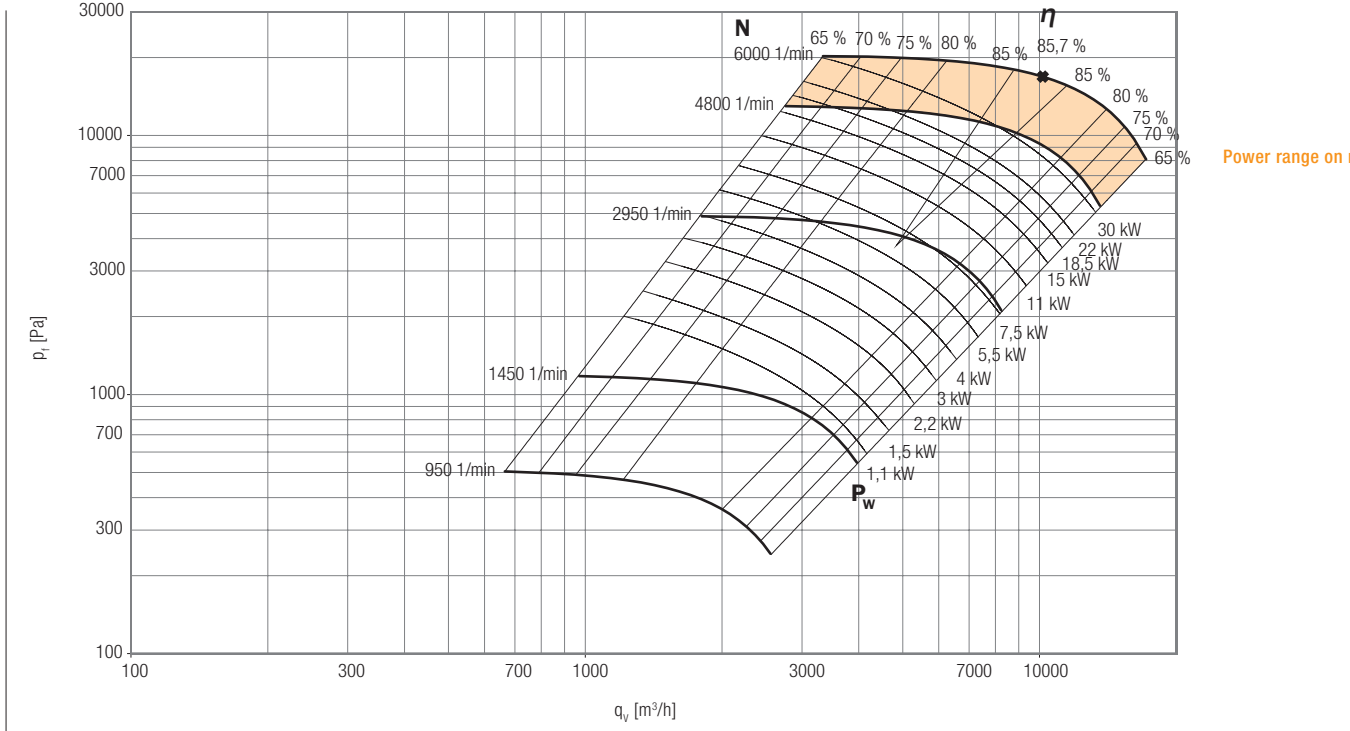
All indicated values for 400 V/50 Hz/3~.

h*: Casing position: 0°, 90°

h**: Casing position: 270°

CREM01-40-0560 Centrifugal fan

Etatec by Pollrich DLK



- Z05** Protective grill suction side
Ord. no. B151076
- Z10** Flexible sleeve round
Ord. no. B141028
- Z13** Inspection hatch
Ord. no. B240509
- Z16** Rubber anti vibration mounts (see below)
- Z18** Flange, round
Ord. no. B101443
- Z19** Flange, square
Ord. no. B101239
- Z45** Counter flange
Ord. no. B101384
- Z63** Transition piece, square to round
Ord. no. B101509
- Z81** Flexible sleeve square
Ord. no. B101311
- Z89** Condensate drain
Ord. no. B240506

CREM01-40-0560-B Full specifications for accessoires, see page 122

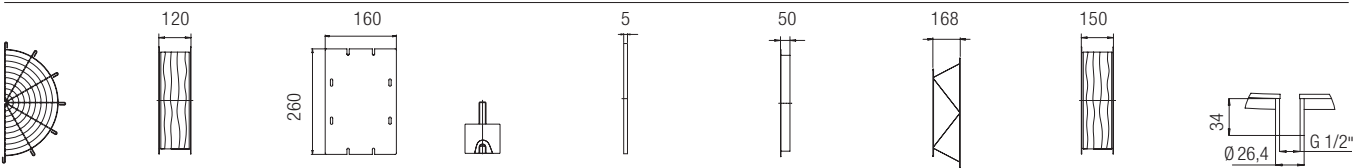
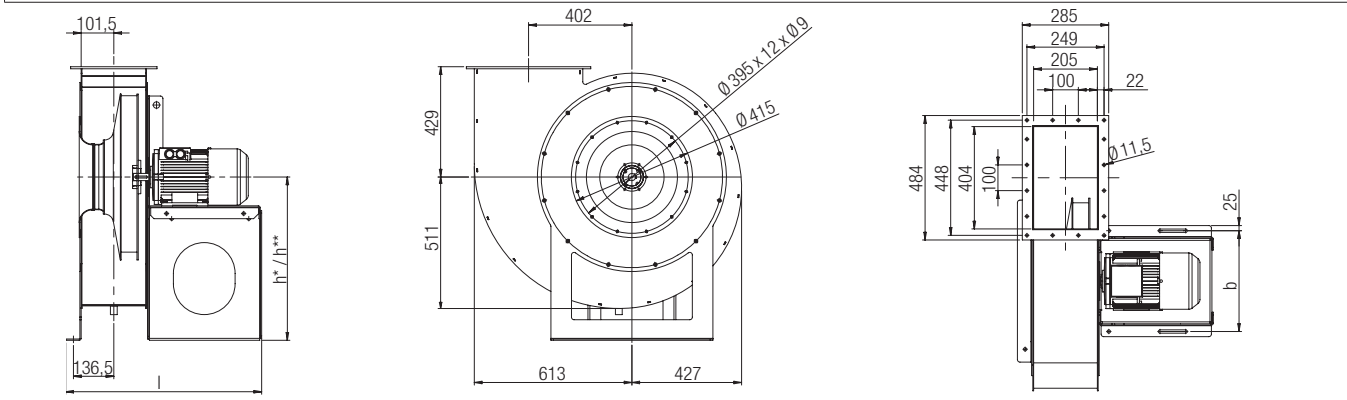
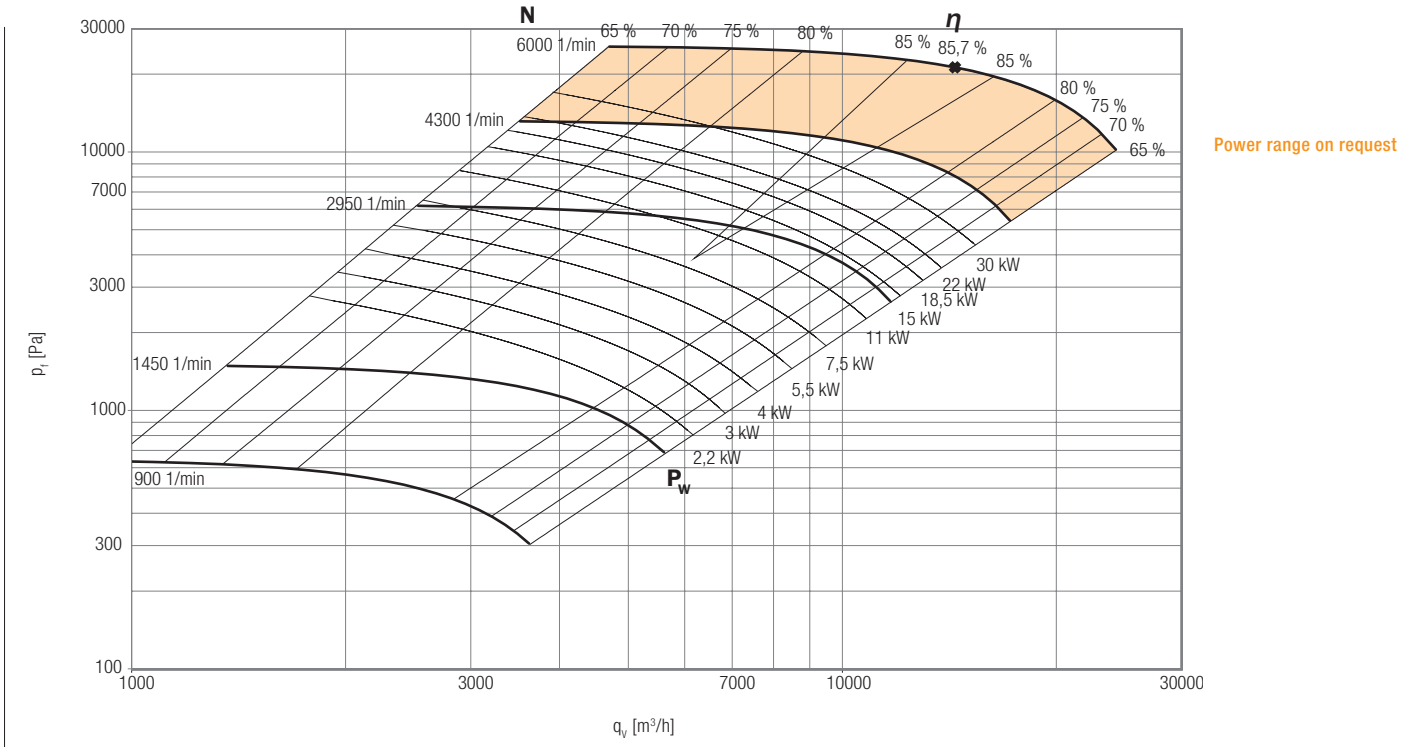
Order no. Fan	Motor power output [kW]	Speed [1/min]	Voltage [V] Connection	Nominal current [A]	Starting current [A]	Weight ca. [kg]	Order no. Z16	h* / h** [mm]	b [mm]	l [mm]
B100451	7.5	2940	400/690 Δ/Y	13.9	104.3	183	B149928	580/670	392	689
B100452	11	2930	400/690 Δ/Y	19.9	151.2	226	B149928	580/670	470	859
B100453	15	2930	400/690 Δ/Y	26.6	202.2	252	B149928	580/670	470	859
B100454	18.5	2937	400/690 Δ/Y	33.0	244.2	282	B149937	580/670	470	859
B100455	22	2940	400/690 Δ/Y	39.5	308.1	317	B149937	580/670	470	859
B100456	30	2950	400/690 Δ/Y	53.4	416.5	371	B149937	580/670	470	859
B100457	1.1	1440	230/400 Δ/Y	2.5	15.0	149	B148059	580/670	392	689
B100458	1.5	1445	230/400 Δ/Y	3.4	23.1	151	B148059	580/670	392	689
B100459	2.2	1440	230/400 Δ/Y	4.6	32.2	161	B148059	580/670	392	689
B100460	3	1440	230/400 Δ/Y	6.2	43.4	167	B148059	580/670	392	689
B100461	4	1445	400/690 Δ/Y	8.1	60.8	172	B148059	580/670	392	689
B100462	5.5	1455	400/690 Δ/Y	10.9	69.8	183	B149928	580/670	392	689
B100463	7.5	1455	400/690 Δ/Y	14.5	101.5	194	B149928	580/670	392	689

All indicated values for 400 V/50 Hz/3~.

h*: Casing position: 0°, 90° h**: Casing position: 270°

CREM01-40-0630 Centrifugal fan

Eatec by Pollrich DLK



- Z05** Protective grill suction side
Ord. no. B151074
 - Z10** Flexible sleeve round
Ord. no. B141029
 - Z13** Inspection hatch
Ord. no. B240509
 - Z16** Rubber anti vibration mounts (see below)
 - Z18** Flange, round
Ord. no. B101444
 - Z19** Flange, square
Ord. no. B101240
 - Z45** Counter flange
Ord. no. B101385
 - Z63** Transition piece, square to round
Ord. no. B101510
 - Z81** Flexible sleeve square
Ord. no. B101312
 - Z89** Condensate drain
Ord. no. B240506
- Full specifications for accessories, see page 122

CREM01-40-0630-B

Order no. Fan	Motor power output [kW]	Speed [1/min]	Voltage [V] Connection	Nominal current [A]	Starting current [A]	Weight ca. [kg]	Order no. Z16	h* / h** [mm]	b [mm]	l [mm]
B100466	18.5	2937	400/690 Δ/Y	33.0	244.2	317	B149937	635/735	508	859
B100467	22	2940	400/690 Δ/Y	39.5	308.1	352	B149937	635/735	508	859
B100468	30	2950	400/690 Δ/Y	53.4	416.5	406	B149937	635/735	508	859
B100469	2.2	1440	230/400 Δ/Y	4.6	32.2	196	B149928	635/735	475	826
B100470	3	1440	230/400 Δ/Y	6.2	43.4	202	B149928	635/735	475	826
B100471	4	1445	400/690 Δ/Y	8.1	60.8	207	B149928	635/735	475	826
B100472	5.5	1455	400/690 Δ/Y	10.9	69.8	218	B149928	635/735	475	826
B100473	7.5	1455	400/690 Δ/Y	14.5	101.5	229	B149928	635/735	475	826
B100474	11	1460	400/690 Δ/Y	22.1	152.5	303	B149937	635/735	508	859
B100475	15	1460	400/690 Δ/Y	29.6	222.0	279	B149937	635/735	508	859

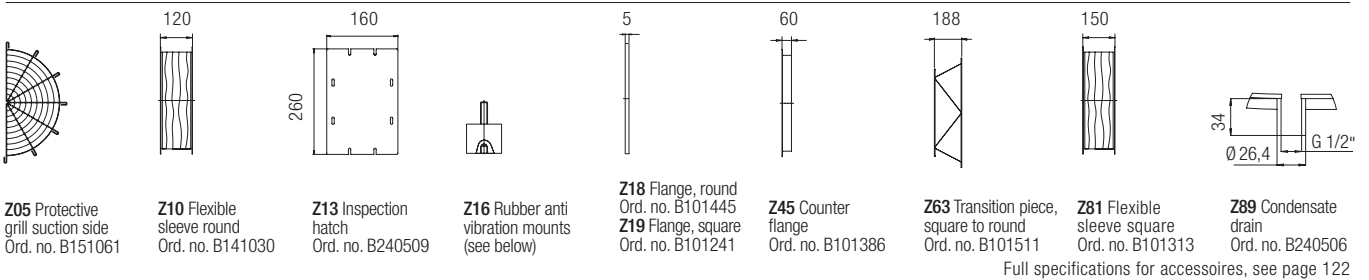
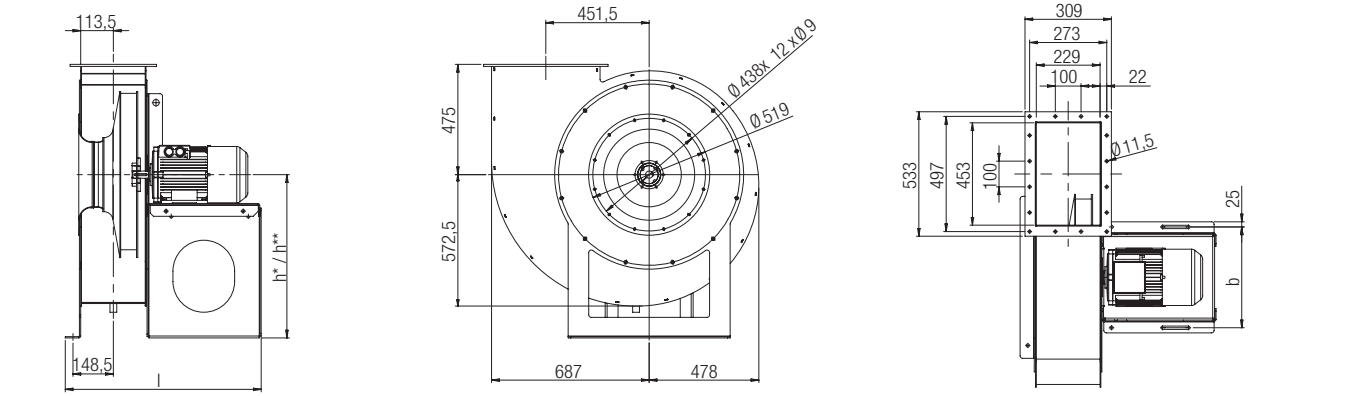
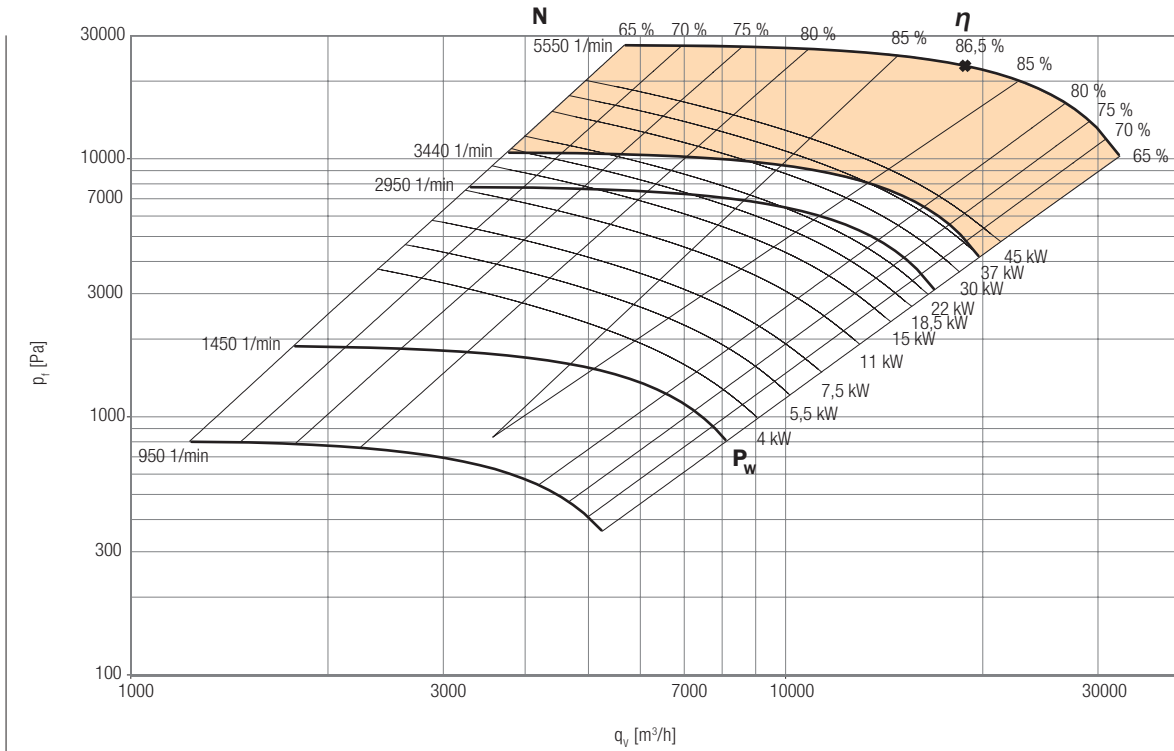
All indicated values for 400 V/50 Hz/3~.

h*: Casing position: 0°, 90°

h**: Casing position: 270°

CREM01-40-0710 Centrifugal fan

Etatec by Pollrich DLK



CREM01-40-0710-B

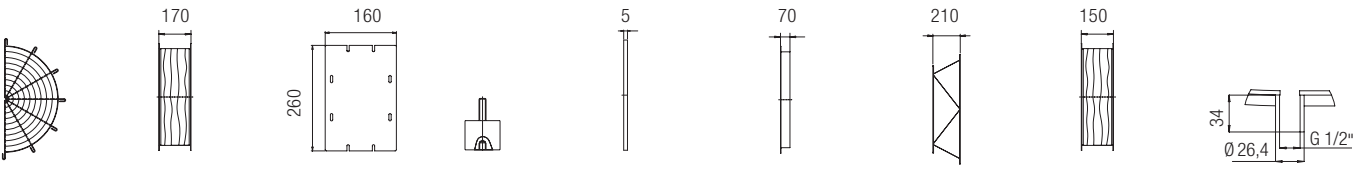
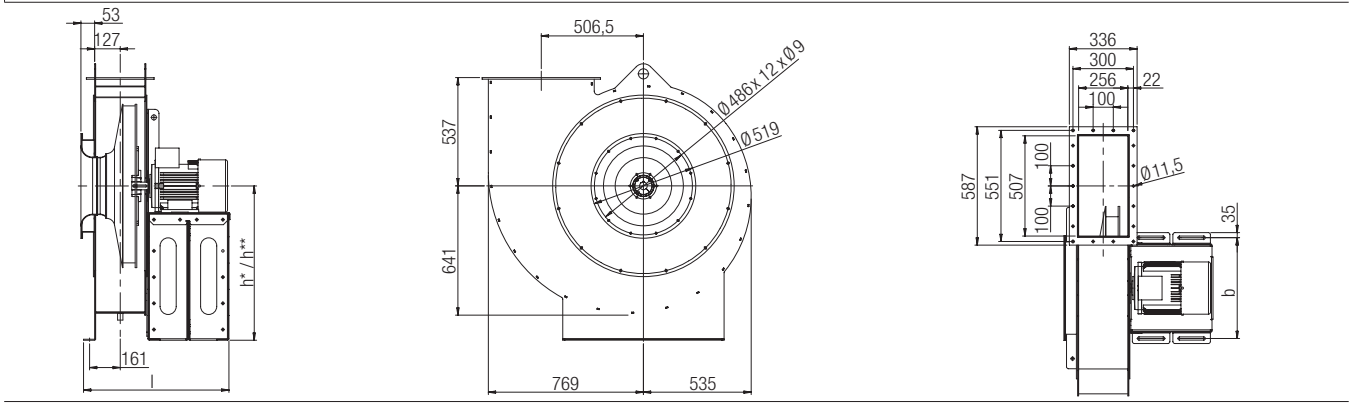
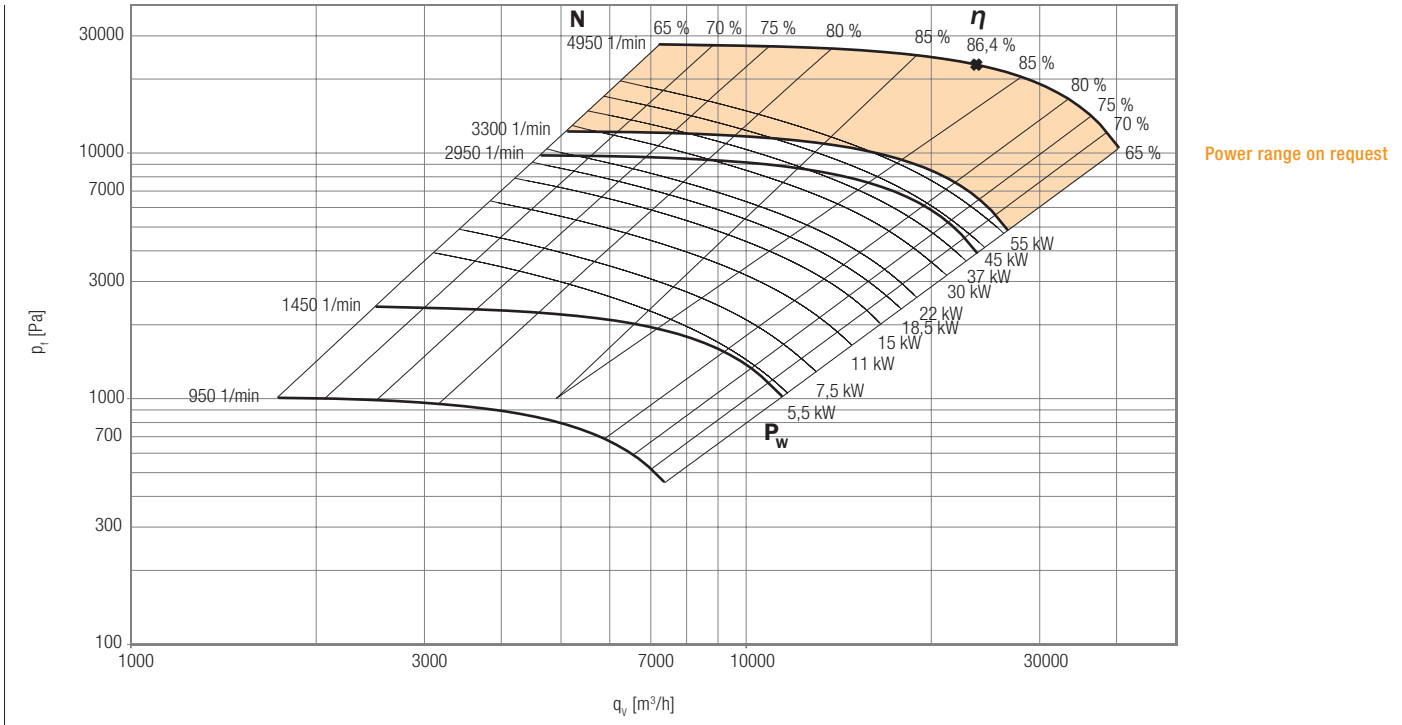
Order no. Fan	Motor power output [kW]	Speed [1/min]	Voltage [V] Connection	Nominal current [A]	Starting current [A]	Weight ca. [kg]	Order no. Z16	h* / h** [mm]	b [mm]	l [mm]
B100476	30	2950	400/690 Δ/Y	53.4	416.5	461	B149948	695/810	620	995
B100477	37	2950	400/690 Δ/Y	63.5	489.0	462	B149948	695/810	620	995
B100478	45	2960	400/690 Δ/Y	76.9	576.8	546	B149948	695/810	620	995
B100479	4	1445	400/690 Δ/Y	8.1	60.8	262	B149928	695/810	475	850
B100480	5.5	1455	400/690 Δ/Y	10.9	69.8	273	B149937	695/810	475	850
B100481	7.5	1455	400/690 Δ/Y	14.5	101.5	284	B149937	695/810	475	850
B100482	11	1460	400/690 Δ/Y	22.1	152.5	358	B149937	695/810	475	850
B100483	15	1460	400/690 Δ/Y	29.6	222.0	334	B149937	695/810	475	850
B100484	18.5	1470	400/690 Δ/Y	32.7	255.1	390	B149937	695/810	620	995
B100485	22	1470	400/690 Δ/Y	38.4	288.0	404	B149937	695/810	620	995

All indicated values for 400 V/50 Hz/3~.

h*: Casing position: 0°, 90° h**: Casing position: 270°

CREM01-40-0800 Centrifugal fan

Eatec by Pollrich DLK



- Z05** Protective grill suction side
Ord. no. B151081
- Z10** Flexible sleeve round
Ord. no. B141031
- Z13** Inspection hatch
Ord. no. B240509
- Z16** Rubber anti vibration mounts (see below)
- Z18** Flange, round
Ord. no. B101446
- Z19** Flange, square
Ord. no. B101242
- Z45** Counter flange
Ord. no. B101387
- Z63** Transition piece, square to round
Ord. no. B101512
- Z81** Flexible sleeve square
Ord. no. B101314
- Z89** Condensate drain
Ord. no. B240506

Full specifications for accessories, see page 122

CREM01-40-0800-B

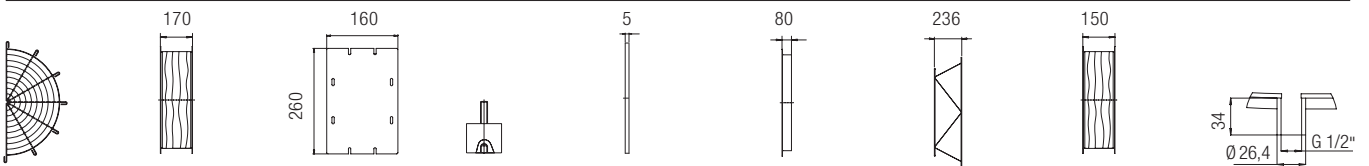
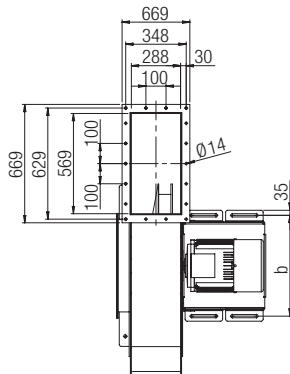
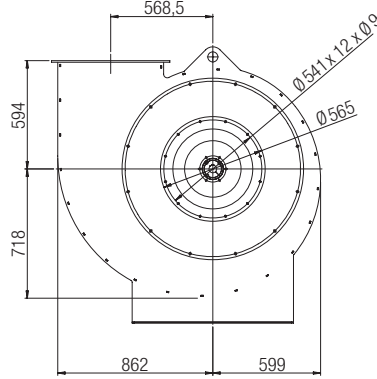
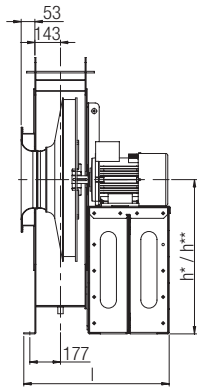
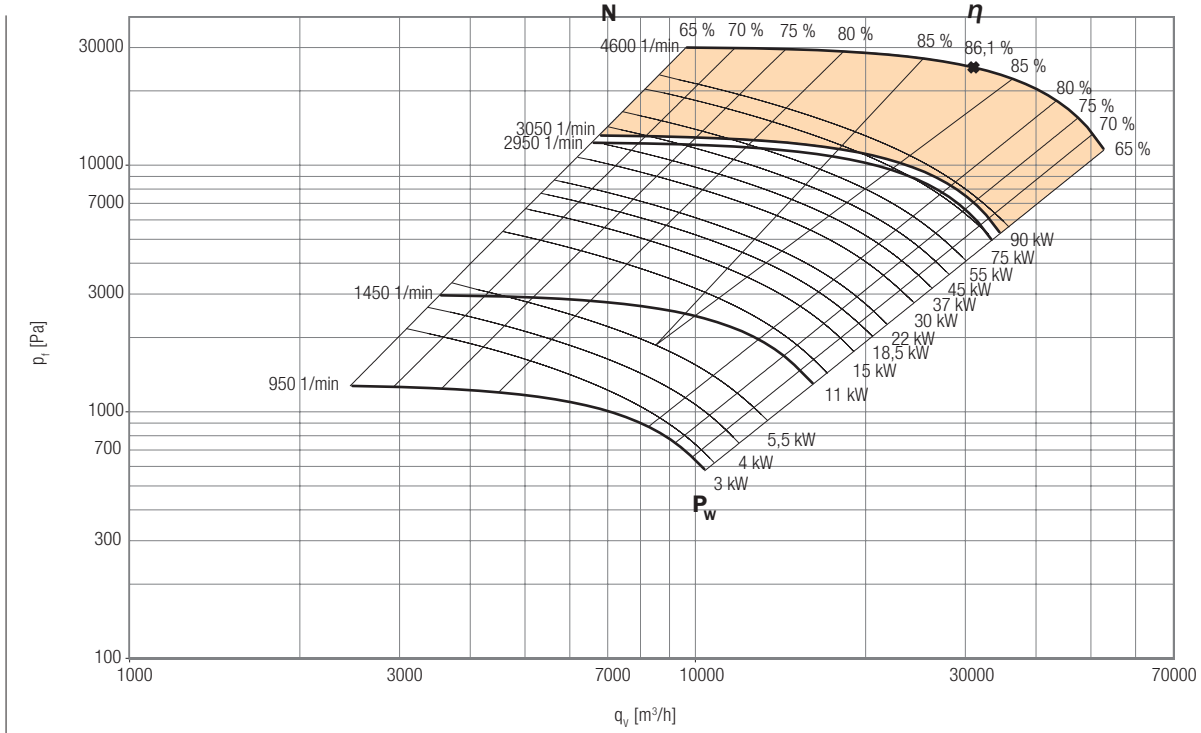
Order no. Fan	Motor power output [kW]	Speed [1/min]	Voltage [V] Connection	Nominal current [A]	Starting current [A]	Weight ca. [kg]	Order no. Z16	h* / h** [mm]	b [mm]	l [mm]
B100486	45	2960	400/690 Δ/Y	76.9	576.8	616	B149948	765/890	583.4	1065
B100487	55	2965	400/690 Δ/Y	93.6	664.6	672	B149948	765/890	583.4	1126
B100488	5.5	1455	400/690 Δ/Y	10.9	69.8	343	B149937	765/890	443	749
B100489	7.5	1455	400/690 Δ/Y	14.5	101.5	354	B149937	765/890	443	749
B100490	11	1460	400/690 Δ/Y	22.1	152.5	428	B149937	765/890	443	901
B100491	15	1460	400/690 Δ/Y	29.6	222.0	404	B149937	765/890	443	901
B100492	18.5	1470	400/690 Δ/Y	32.7	255.1	460	B149948	765/890	443	937
B100493	22	1470	400/690 Δ/Y	38.4	288.0	474	B149948	765/890	443	937
B100494	30	1470	400/690 Δ/Y	54.4	386.2	560	B149948	765/890	443	1028
B100495	37	1480	400/690 Δ/Y	66.2	496.5	600	B149948	765/890	583.4	1065
B100496	45	1480	400/690 Δ/Y	80.1	608.8	630	B149948	765/890	583.4	1065

All indicated values for 400 V/50 Hz/3~.

h*: Casing position: 0°, 90° h**: Casing position: 270°

CREM01-40-0900 Centrifugal fan

Etatec by Pollrich DLK



Z05 Protective grill suction side
Ord. no. B151068

Z10 Flexible sleeve round
Ord. no. B141032

Z13 Inspection hatch
Ord. no. B240509

Z16 Rubber anti vibration mounts (see below)

Z18 Flange, round
Ord. no. B101447
Z19 Flange, square
Ord. no. B101243

Z45 Counter flange
Ord. no. B101388

Z63 Transition piece, square to round
Ord. no. B101513

Z81 Flexible sleeve square
Ord. no. B101315

Z89 Condensate drain
Ord. no. B240506

Full specifications for accessoires, see page 122

CREM01-40-0900-B

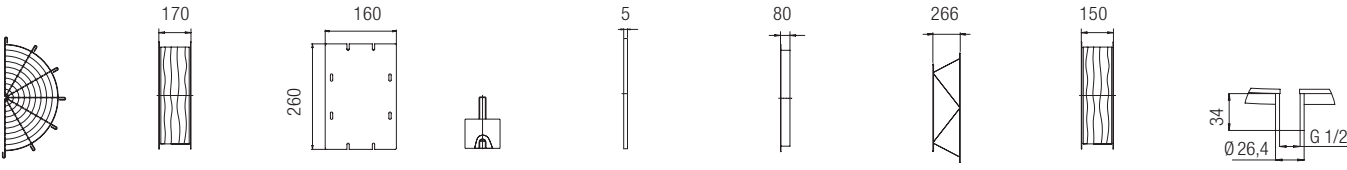
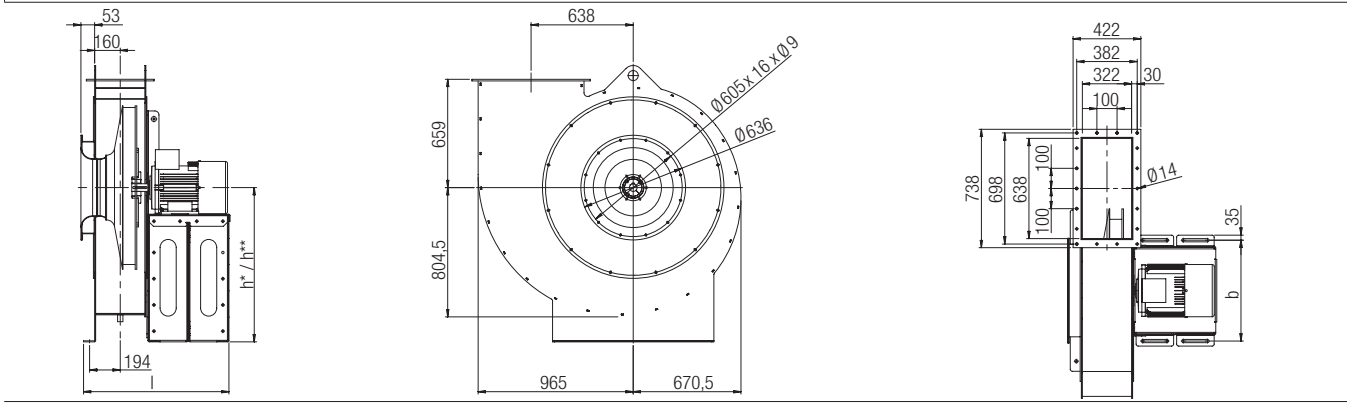
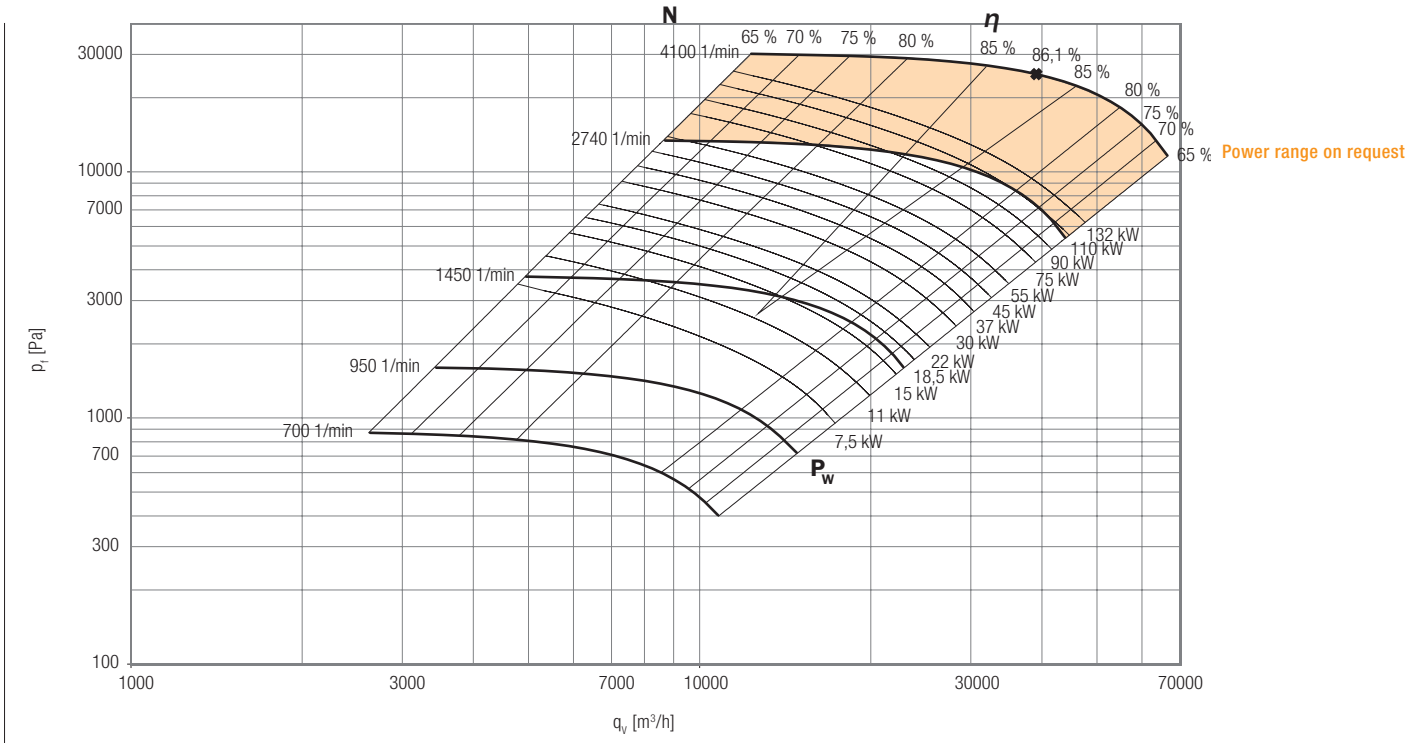
Order no. Fan	Motor power output [kW]	Speed [1/min]	Voltage [V] Connection	Nominal current [A]	Starting current [A]	Weight ca. [kg]	Order no. Z16	h* / h** [mm]	b [mm]	l [mm]
B100497	75	2970	400/690 Δ/Y	127.0	939.8	935	B250291	840/985	653.4	1198
B100498	90	2970	400/690 Δ/Y	150.0	1140.0	980	B250291	840/985	653.4	1126
B100499	11	1460	400/690 Δ/Y	22.1	152.5	548	B149948	840/985	513	901
B100500	15	1460	400/690 Δ/Y	29.6	222.0	524	B149948	840/985	513	901
B100501	18.5	1470	400/690 Δ/Y	32.7	255.1	580	B149948	840/985	513	937
B100502	22	1470	400/690 Δ/Y	38.4	288.0	594	B149948	840/985	513	937
B100503	30	1470	400/690 Δ/Y	54.4	386.2	680	B149948	840/985	513	1028
B100504	37	1480	400/690 Δ/Y	66.2	496.5	720	B149948	840/985	653.4	1065
B100505	45	1480	400/690 Δ/Y	80.1	608.8	750	B149948	840/985	653.4	1065
B100508	3	964	230/400 Δ/Y	6.8	30.6	454	B149948	840/985	513	749
B100509	4	965	400/690 Δ/Y	9.0	45.0	463	B149948	840/985	513	749
B100510	5.5	965	400/690 Δ/Y	12.0	66.0	474	B149948	840/985	513	749
B100511	7.5	970	400/690 Δ/Y	15.9	103.4	510	B149948	840/985	513	901

All indicated values for 400 V/50 Hz/3~.

h*: Casing position: 0°, 90° h**: Casing position: 270°

CREM01-40-1000 Centrifugal fan

Eatec by Pollrich DLK



- Z05** Protective grill suction side
Ord. no. B151066
- Z10** Flexible sleeve round
Ord. no. B141033
- Z13** Inspection hatch
Ord. no. B240512
- Z16** Rubber anti vibration mounts (see below)
- Z18** Flange, round
Ord. no. B101448
- Z19** Flange, square
Ord. no. B101244
- Z45** Counter flange
Ord. no. B101389
- Z63** Transition piece, square to round
Ord. no. B101514
- Z81** Flexible sleeve square
Ord. no. B101316
- Z89** Condensate drain
Ord. no. B240506

Full specifications for accessories, see page 122

CREM01-40-1000-B

Order no. Fan	Motor power output [kW]	Speed [1/min]	Voltage [V] Connection	Nominal current [A]	Starting current [A]	Weight ca. [kg]	Order no. Z16	h* / h** [mm]	b [mm]	l [mm]
B100515	15	1460	400/690 Δ/Y	29.6	222.0	644	B149948	925/1085	520	935
B100516	18.5	1470	400/690 Δ/Y	32.7	255.1	700	B149948	925/1085	520	971
B100517	22	1470	400/690 Δ/Y	38.4	288.0	714	B149948	925/1085	520	971
B100518	30	1470	400/690 Δ/Y	54.4	386.2	800	B149948	925/1085	520	1062
B100519	37	1480	400/690 Δ/Y	66.2	496.5	840	B149948	925/1085	714.4	1102
B100520	45	1480	400/690 Δ/Y	80.1	608.8	870	B149948	925/1085	714.4	1102
B100521	55	1480	400/690 Δ/Y	96.7	705.9	925	B250291	925/1085	714.4	1163
B100522	75	1480	400/690 Δ/Y	131.0	995.6	1045	B250291	925/1085	714.4	1235
B100523	90	1480	400/690 Δ/Y	157.0	1177.5	1141	B250291	925/1085	714.4	1235
B100524	110	1485	400/690 Δ/Y	191.0	1356.1	1480	B250291	925/1085	714.4	1438
B100525	7.5	970	400/690 Δ/Y	15.9	103.4	630	B149948	925/1085	520	935
B100526	11	970	400/690 Δ/Y	22.1	165.8	679	B149948	925/1085	520	935
B100527	15	975	400/690 Δ/Y	29.8	190.7	728	B149948	925/1085	520	971

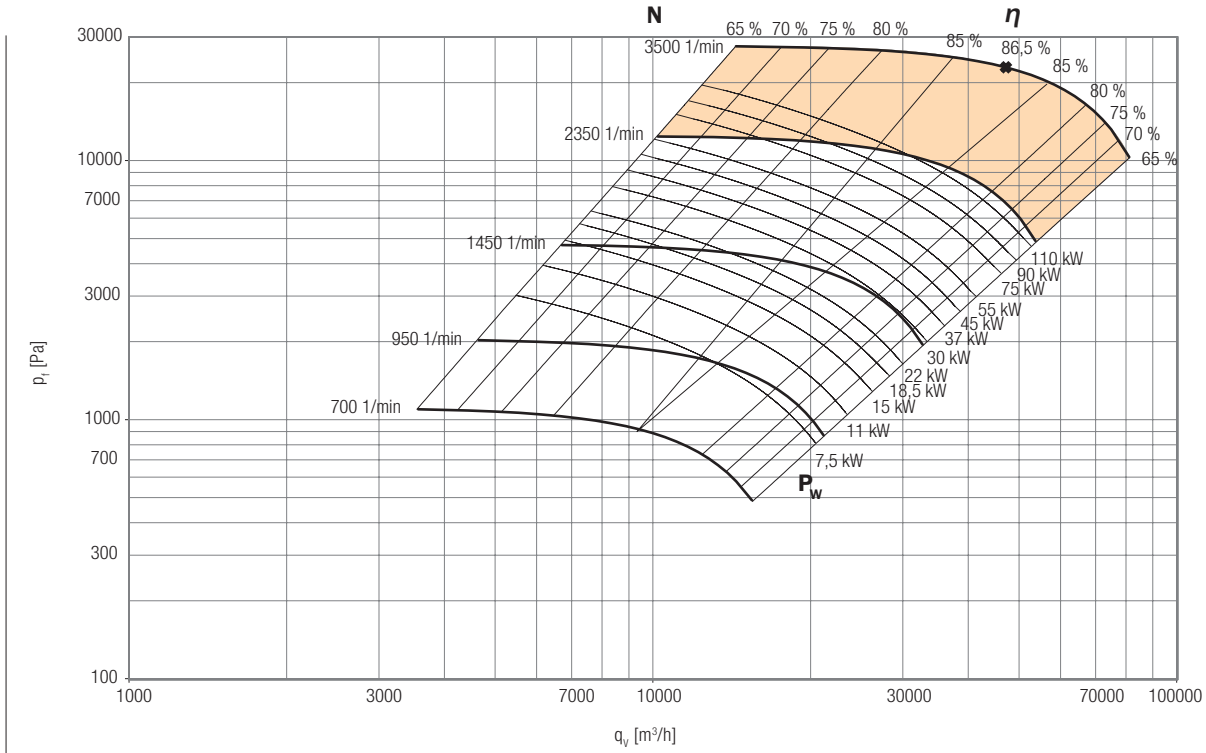
All indicated values for 400 V/50 Hz/3~.

h*: Casing position: 0°, 90°

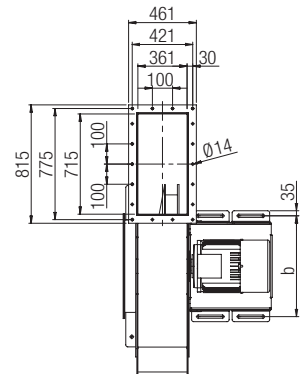
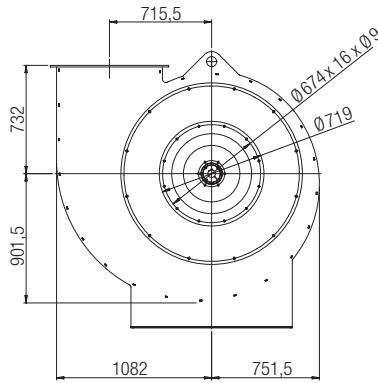
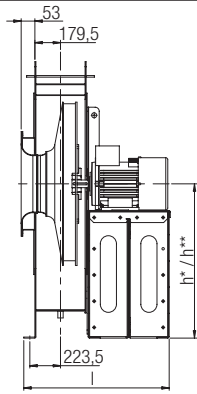
h**: Casing position: 270°

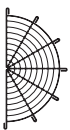
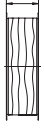
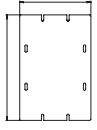





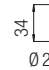

CREM01-40-1120 Centrifugal fan

Etatec by Pollrich DLK



Power range on request



- 
Z05 Protective grill suction side
Ord. no. B151088
- 
Z10 Flexible sleeve round
Ord. no. B141035
- 
Z13 Inspection hatch
Ord. no. B240512
- 
Z16 Rubber anti vibration mounts (see below)
- 
Z18 Flange, round
Ord. no. B101449
- 
Z19 Flange, square
Ord. no. B101245
- 
Z45 Counter flange
Ord. no. B101390
- 
Z63 Transition piece, square to round
Ord. no. B101515
- 
Z81 Flexible sleeve square
Ord. no. B101317
- 
Z89 Condensate drain
Ord. no. B240506

Full specifications for accessoires, see page 122

CREM01-40-1120-B

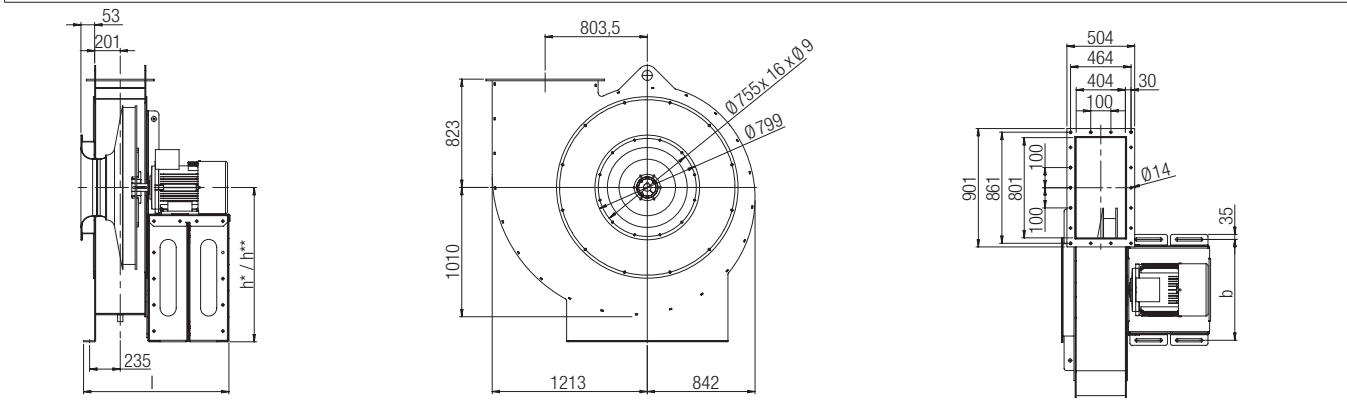
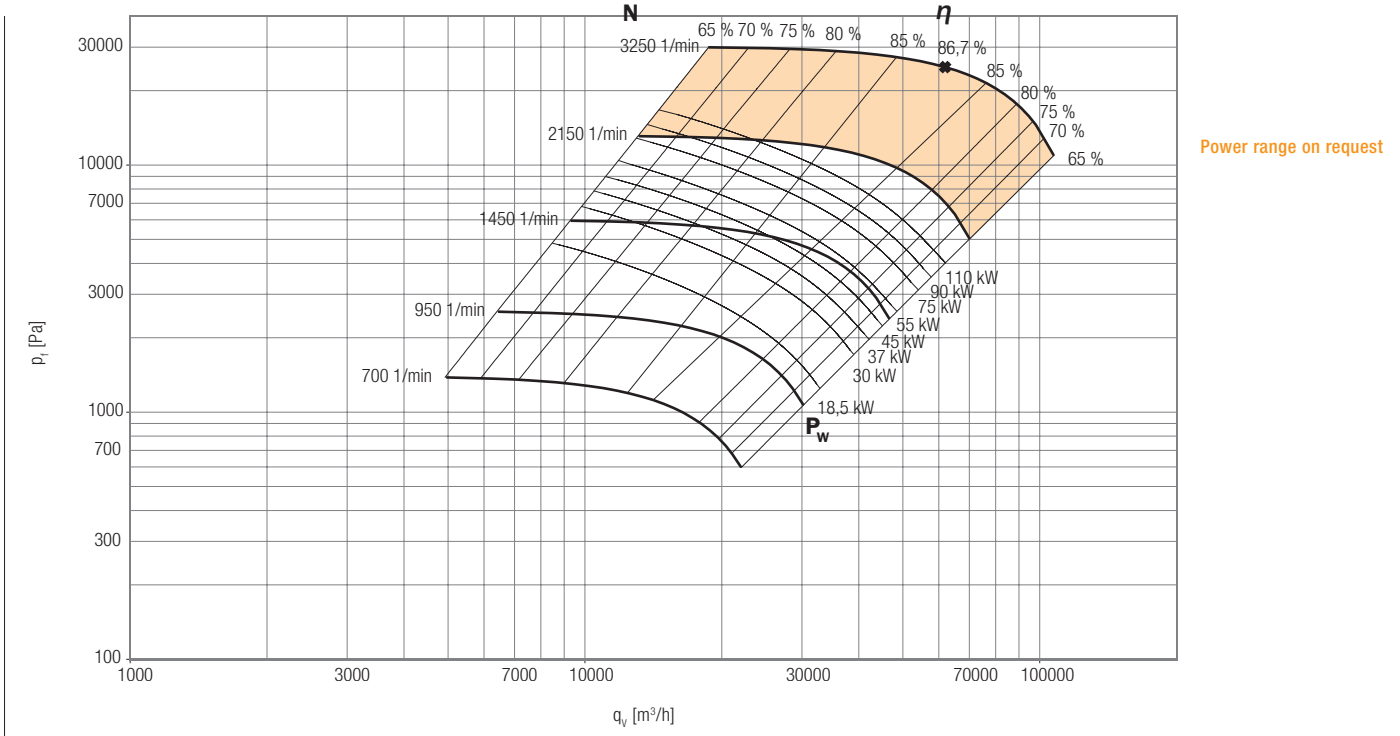
Order no. Fan	Motor power output [kW]	Speed [1/min]	Voltage [V] Connection	Nominal current [A]	Starting current [A]	Weight ca. [kg]	Order no. Z16	h* / h** [mm]	b [mm]	l [mm]
B100528	30	1470	400/690 Δ/Y	54.4	386.2	890	B149948	1025/1205	560	1118
B100529	37	1480	400/690 Δ/Y	66.2	496.5	930	B250291	1025/1205	560	1158
B100530	45	1480	400/690 Δ/Y	80.1	608.8	960	B250291	1025/1205	560	1158
B100531	55	1480	400/690 Δ/Y	96.7	705.9	1015	B250291	1025/1205	786.6	1219
B100532	75	1480	400/690 Δ/Y	131.0	995.6	1135	B250291	1025/1205	786.6	1291
B100533	90	1480	400/690 Δ/Y	157.0	1177.5	1231	B250291	1025/1205	786.6	1291
B100534	110	1485	400/690 Δ/Y	191.0	1356.1	1570	B250291	1025/1205	786.6	1494
B100535	18.5	980	400/690 Δ/Y	35.7	249.9	820	B149948	1025/1205	560	1118
B100536	22	980	400/690 Δ/Y	41.6	291.2	848	B149948	1025/1205	560	1118
B100537	30	980	400/690 Δ/Y	56.2	365.3	916	B149948	1025/1205	560	1158
B100538	7.5	720	400/690 Δ/Y	16.9	101.4	707	B149948	1025/1205	560	991
B100539	11	730	400/690 Δ/Y	23.4	140.4	780	B149948	1025/1205	560	1027
B100540	15	730	400/690 Δ/Y	32.1	211.9	848	B149948	1025/1205	560	1118

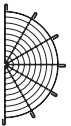
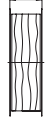
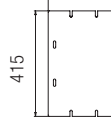




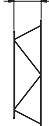

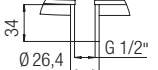
All indicated values for 400 V/50 Hz/3~.

h*: Casing position: 0°, 90° h**: Casing position: 270°

CREM01-40-1250 Centrifugal fan

Eatec by Pollrich DLK



- 
Z05 Protective grill suction side
 Ord. no. B151072
- 
Z10 Flexible sleeve round
 Ord. no. B141036
- 
Z13 Inspection hatch
 Ord. no. B240512
- 
Z16 Rubber anti vibration mounts
 (see below)
- 
Z18 Flange, round
 Ord. no. B101450
- 
Z19 Flange, square
 Ord. no. B101246
- 
Z45 Counter flange
 Ord. no. B101391
- 
Z63 Transition piece, square to round
 Ord. no. B101516
- 
Z81 Flexible sleeve square
 Ord. no. B101318
- 
Z89 Condensate drain
 Ord. no. B240506

Full specifications for accessoires, see page 122

CREM01-40-1250-B

Order no. Fan	Motor power output [kW]	Speed [1/min]	Voltage [V] Connection	Nominal current [A]	Starting current [A]	Weight ca. [kg]	Order no. Z16	h* / h** [mm]	b [mm]	l [mm]
B100542	45	1480	400/690 Δ/Y	80.1	608.8	1161	B250291	1135/1335	758	1184
B100543	55	1480	400/690 Δ/Y	96.7	705.9	1216	B250291	1135/1335	758	1245
B100544	75	1480	400/690 Δ/Y	131.0	995.6	1336	B250291	1135/1335	758	1317
B100545	90	1480	400/690 Δ/Y	157.0	1177.5	1432	B250291	1135/1335	758	1317
B100546	110	1485	400/690 Δ/Y	191.0	1356.1	1771	B250291	1135/1335	758	1520
B100547	30	980	400/690 Δ/Y	56.2	365.3	1117	B250291	1135/1335	758	1184
B100548	37	980	400/690 Δ/Y	66.9	461.6	1201	B250291	1135/1335	758	1245
B100549	45	980	400/690 Δ/Y	80.4	562.8	1311	B250291	1135/1335	758	1317
B100550	18.5	730	400/690 Δ/Y	39.0	257.4	1063	B250291	1135/1335	758	1184

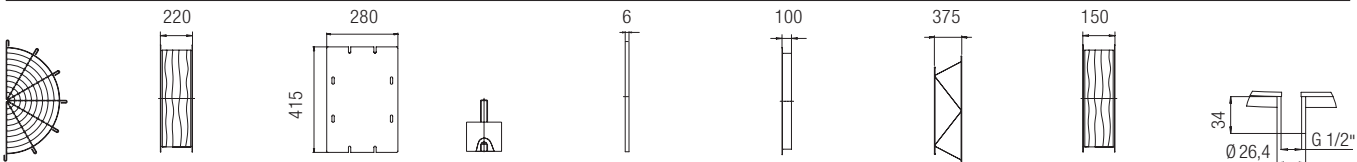
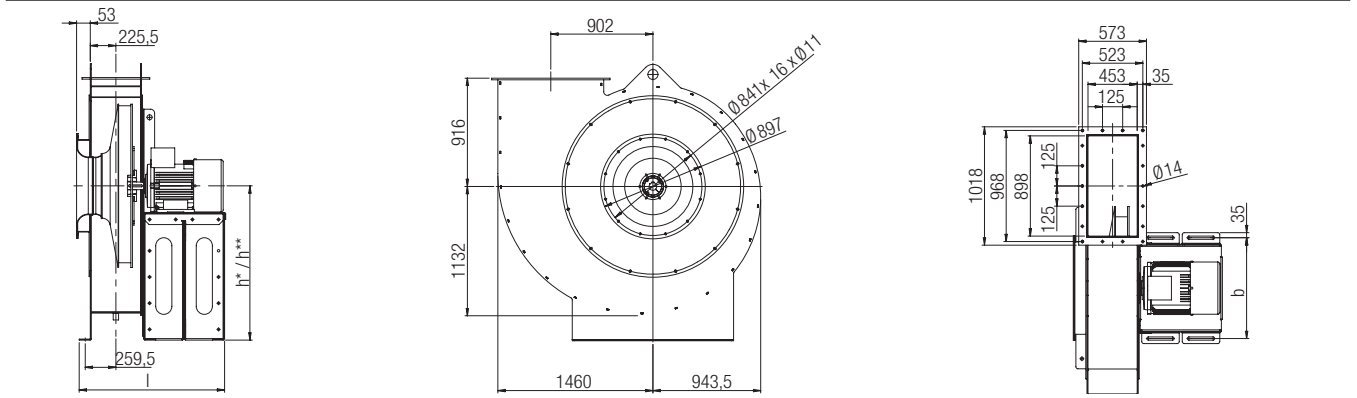
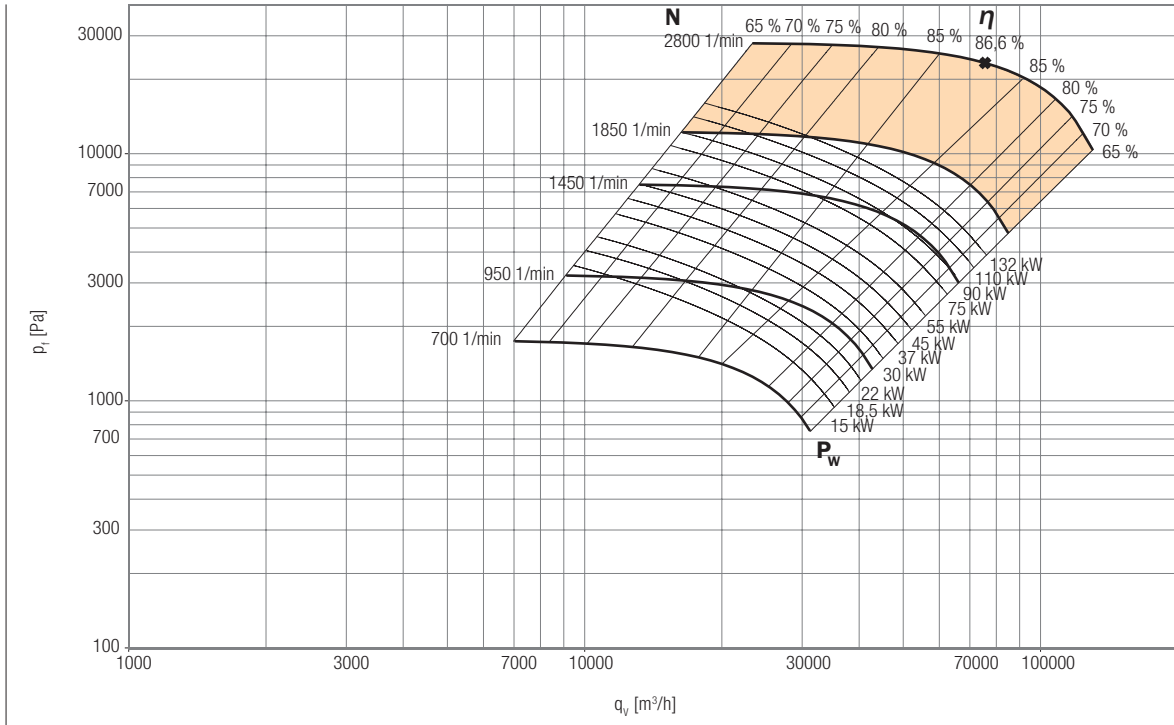
All indicated values for 400 V/50 Hz/3~.

h*: Casing position: 0°, 90°

h**: Casing position: 270°

CREM01-40-1400 Centrifugal fan

Etatec by Pollrich DLK



- Z05** Protective grill suction side
Ord. no. B151092
- Z10** Flexible sleeve round
Ord. no. B141037
- Z13** Inspection hatch
Ord. no. B240512
- Z16** Rubber anti vibration mounts (see below)
- Z18** Flange, round
Ord. no. B101451
- Z19** Flange, square
Ord. no. B101247
- Z45** Counter flange
Ord. no. B101392
- Z63** Transition piece, square to round
Ord. no. B101517
- Z81** Flexible sleeve square
Ord. no. B101319
- Z89** Condensate drain
Ord. no. B240506

Full specifications for accessoires, see page 122

CREM01-40-1400-B

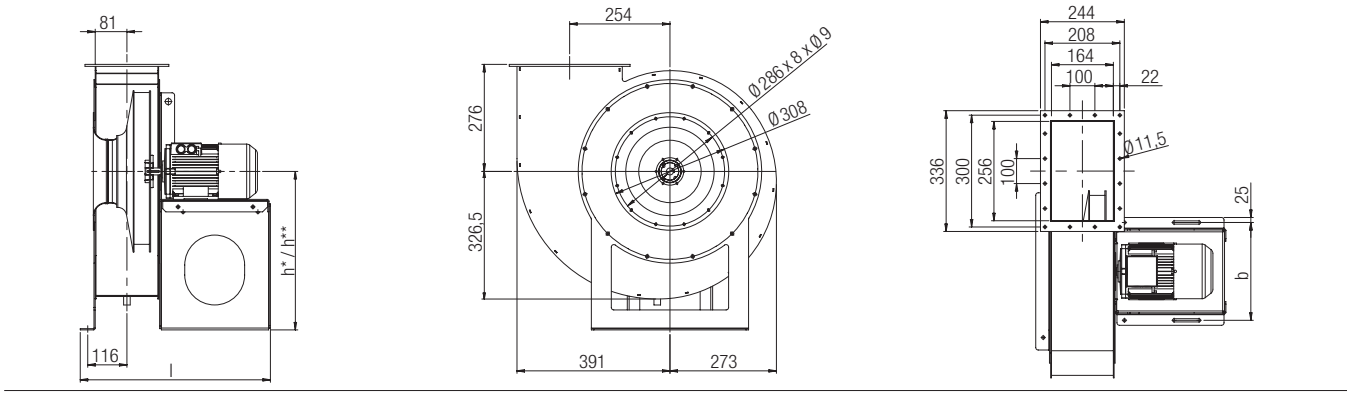
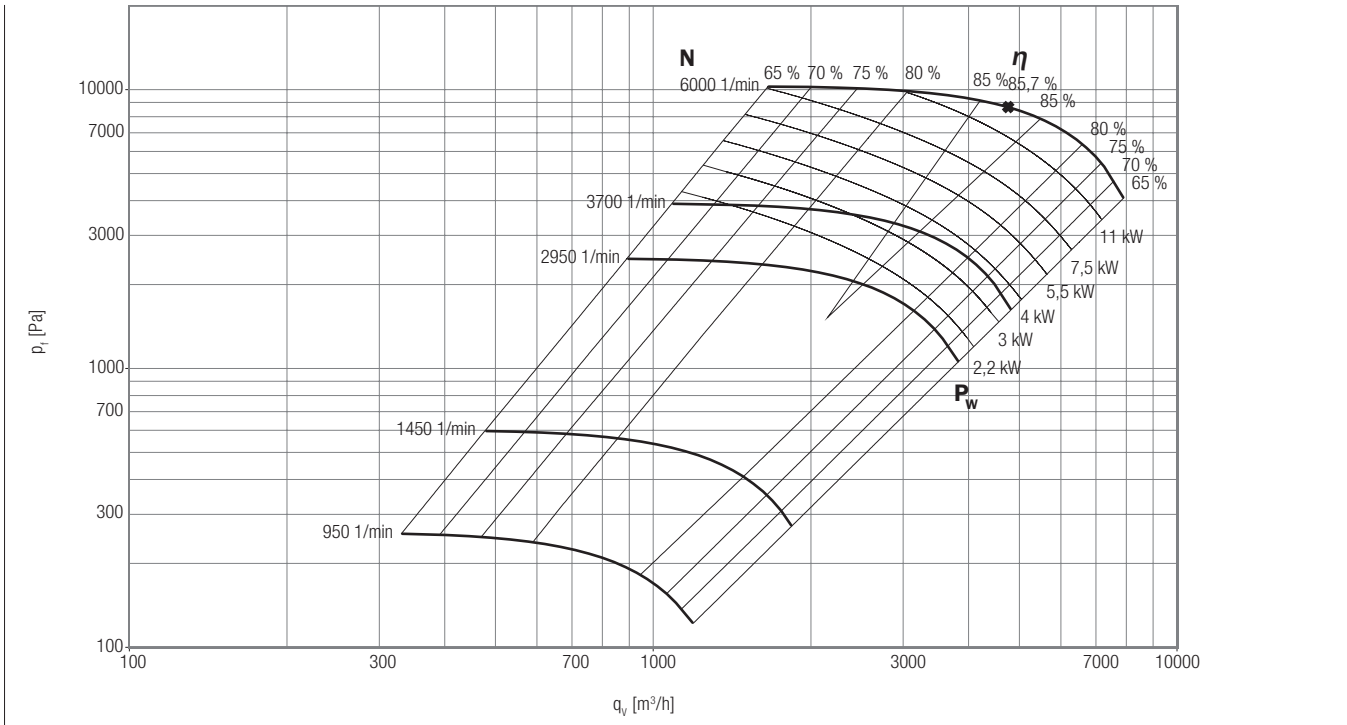
Order no. Fan	Motor power output [kW]	Speed [1/min]	Voltage [V] Connection	Nominal current [A]	Starting current [A]	Weight ca. [kg]	Order no. Z16	h* / h** [mm]	b [mm]	l [mm]
B100551	75	1480	400/690 Δ/Y	131.0	995.6	1450	B250291	1255/1580	760	1368
B100552	90	1480	400/690 Δ/Y	157.0	1177.5	1546	B250291	1255/1580	760	1368
B100553	110	1485	400/690 Δ/Y	191.0	1356.1	1885	B250291	1255/1580	760	1571
B100554	132	1485	400/690 Δ/Y	228.0	1664.4	1972	B250291	1255/1580	760	1571
B100555	18.5	980	400/690 Δ/Y	35.7	249.9	1135	B250291	1255/1580	574	1195
B100556	22	980	400/690 Δ/Y	41.6	291.2	1163	B250291	1255/1580	574	1195
B100557	30	980	400/690 Δ/Y	56.2	365.3	1231	B250291	1255/1580	574	1235
B100558	37	980	400/690 Δ/Y	66.9	461.6	1315	B250291	1255/1580	574	1296
B100559	45	980	400/690 Δ/Y	80.4	562.8	1425	B250291	1255/1580	574	1368
B100560	55	980	400/690 Δ/Y	96.6	685.9	1480	B250291	1255/1580	760	1368
B100561	75	985	400/690 Δ/Y	132.1	964.3	1850	B250291	1255/1580	760	1537
B100562	15	730	400/690 Δ/Y	32.1	211.9	1163	B250291	1255/1580	760	1195
B100563	18.5	730	400/690 Δ/Y	39.0	257.4	1177	B250291	1255/1580	760	1235

All indicated values for 400 V/50 Hz/3~.

h*: Casing position: 0°, 90° h**: Casing position: 270°

CREM01-45-0400 Centrifugal fan

Etetec by Pollrich DLK



- Z05** Protective grill suction side
Ord. no. B151080
 - Z10** Flexible sleeve round
Ord. no. B140894
 - Z13** Inspection hatch
Ord. no. B240514
 - Z16** Rubber anti vibration mounts (see below)
 - Z18** Flange, round
Ord. no. B101441
 - Z19** Flange, square
Ord. no. B101226
 - Z45** Counter flange
Ord. no. B101393
 - Z63** Transition piece, square to round
Ord. no. B101518
 - Z81** Flexible sleeve square
Ord. no. B101299
 - Z89** Condensate drain
Ord. no. B240506
- Full specifications for accessoires, see page 122

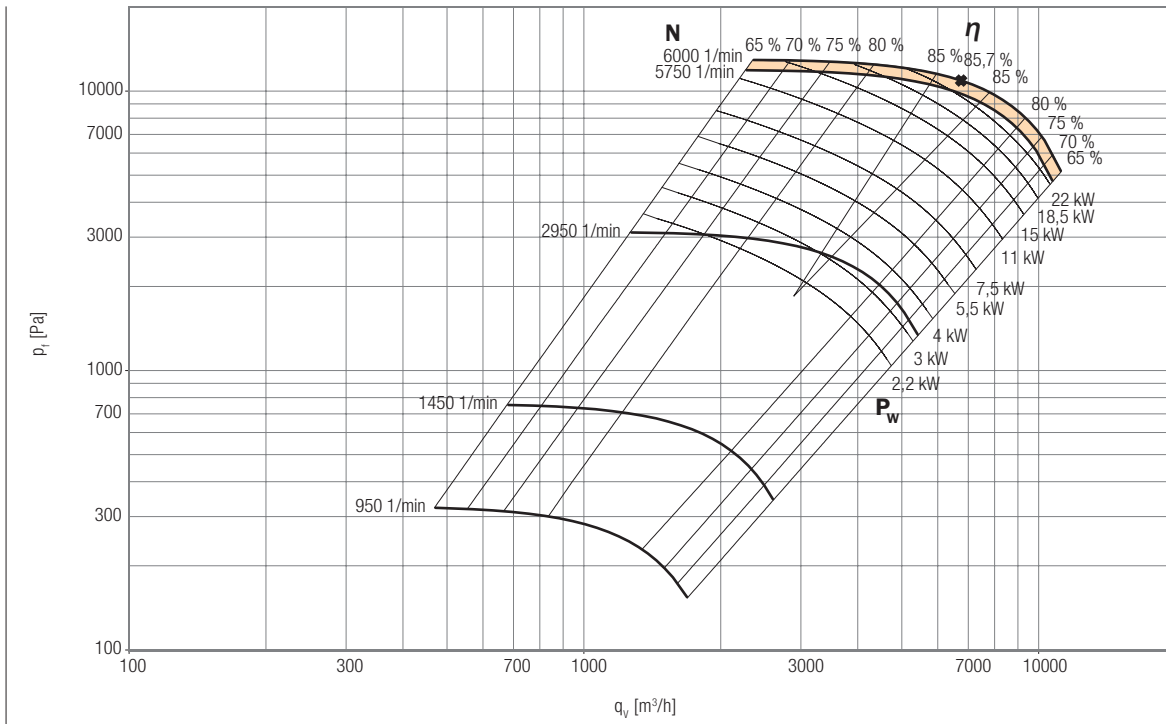
CREM01-45-0400-B

Order no. Fan	Motor power output [kW]	Speed [1/min]	Voltage [V] Connection	Nominal current [A]	Starting current [A]	Weight ca. [kg]	Order no. Z16	h* / h** [mm]	b [mm]	l [mm]
B100564	3	2891	230/400 Δ/Y	5.9	46.9	91	B149380	450/515	418	782
B100565	4	2914	400/690 Δ/Y	7.6	57.3	94	B149380	450/515	418	782
B100566	5.5	2937	400/690 Δ/Y	10.6	79.5	110	B149380	450/515	418	782
B100567	7.5	2940	400/690 Δ/Y	13.9	104.3	115	B149380	450/515	418	782
B100568	11	2930	400/690 Δ/Y	19.9	151.2	158	B148059	450/515	418	782
B100569	2.2	1440	230/400 Δ/Y	4.6	32.5	93	B149380	450/515	418	782
B100570	3	1440	230/400 Δ/Y	6.2	43.3	99	B149380	450/515	418	782

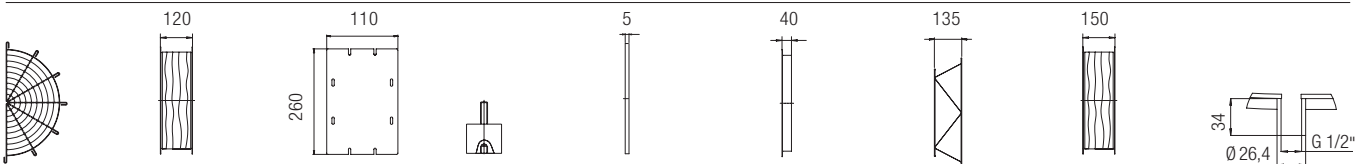
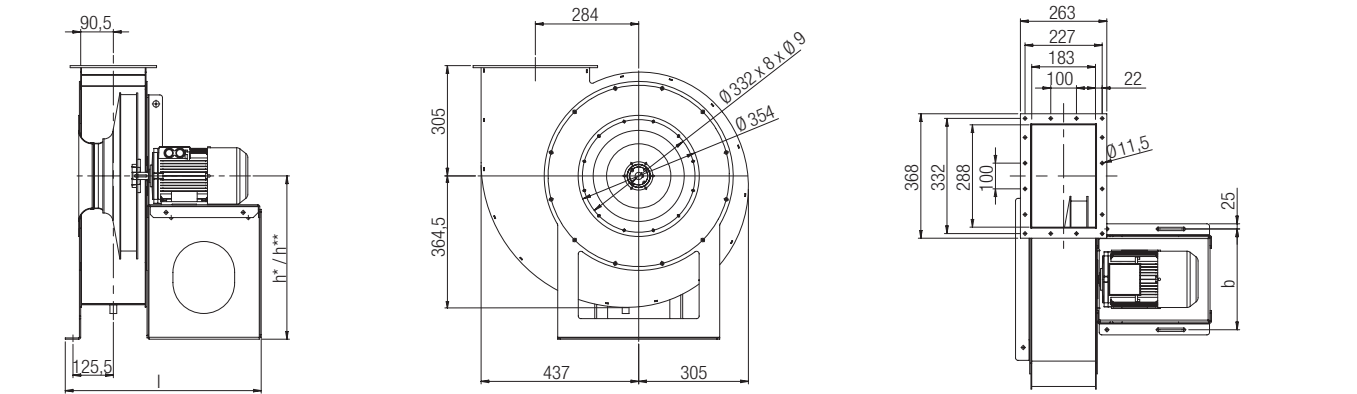
All indicated values for 400 V/50 Hz/3~. h*: Casing position: 0°, 90° h**: Casing position: 270°

CREM01-45-0450 Centrifugal fan

Etatec by Pollrich DLK



Power range on request



- Z05** Protective grill suction side
Ord. no. B151078
- Z10** Flexible sleeve round
Ord. no. B141027
- Z13** Inspection hatch
Ord. no. B240509
- Z16** Rubber anti vibration mounts (see below)
- Z18** Flange, round
Ord. no. B101442
- Z19** Flange, square
Ord. no. B101227
- Z45** Counter flange
Ord. no. B101394
- Z63** Transition piece, square to round
Ord. no. B101519
- Z81** Flexible sleeve square
Ord. no. B101300
- Z89** Condensate drain
Ord. no. B240506

Full specifications for accessoires, see page 122

CREM01-45-0450-B

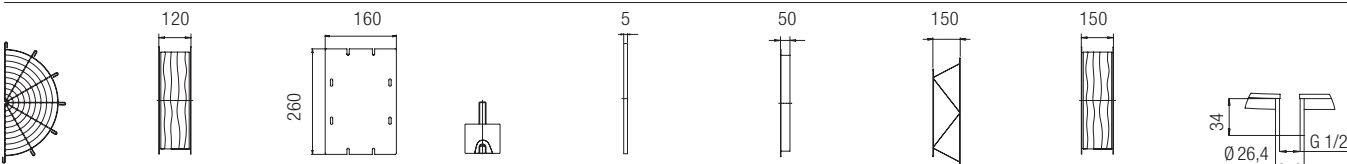
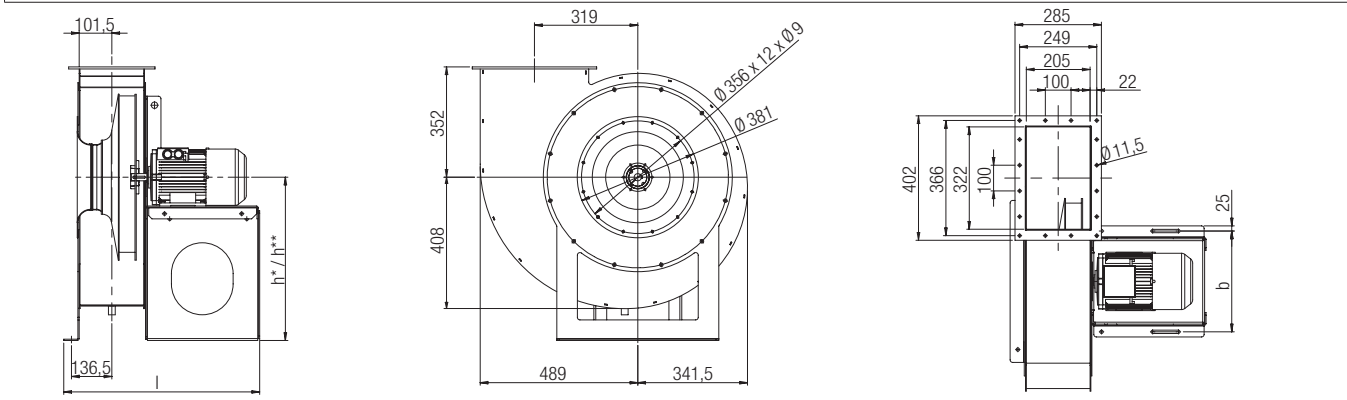
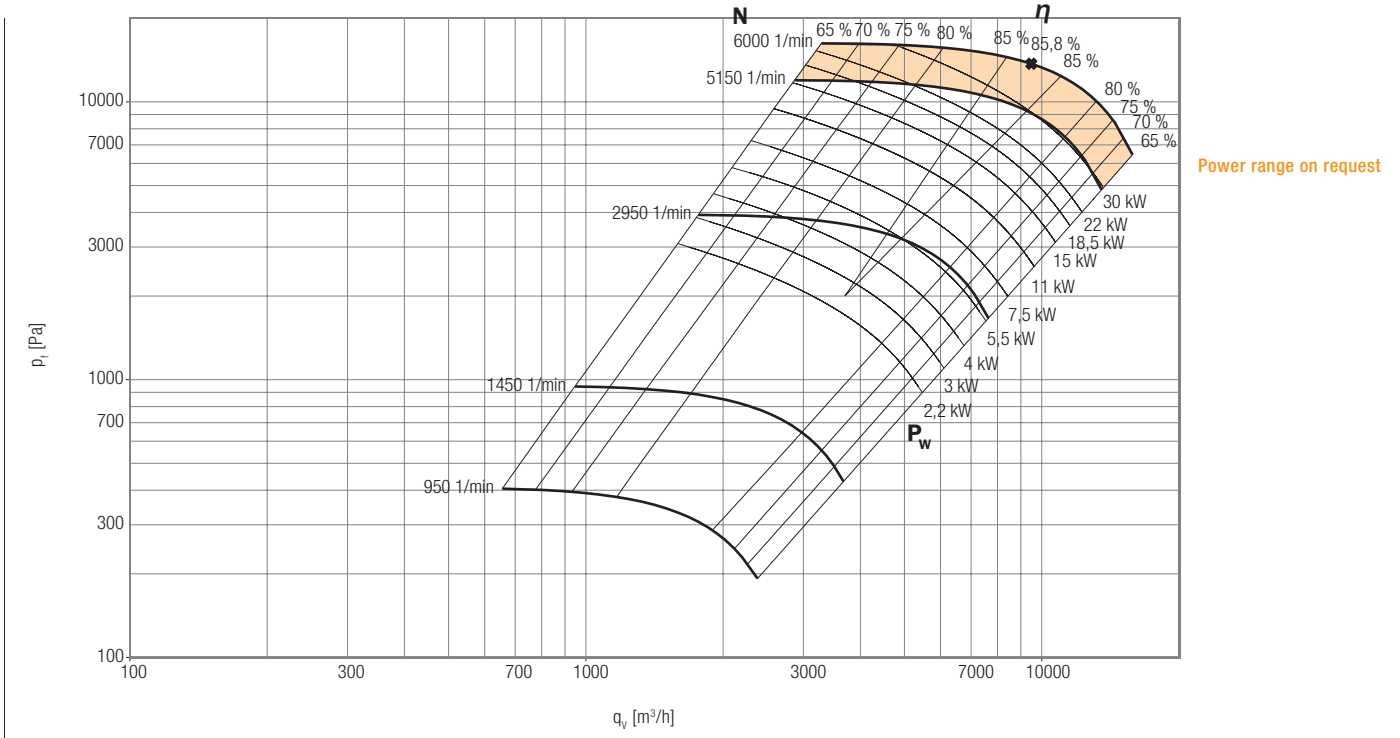
Order no. Fan	Motor power output [kW]	Speed [1/min]	Voltage [V] Connection	Nominal current [A]	Starting current [A]	Weight ca. [kg]	Order no. Z16	h* / h** [mm]	b [mm]	l [mm]
B100571	7.5	2940	400/690 Δ/Y	13.9	104.3	153	B148059	485/560	378	689
B100572	11	2930	400/690 Δ/Y	19.9	151.2	196	B149928	485/560	457	816
B100573	15	2930	400/690 Δ/Y	26.6	204.4	222	B149928	485/560	457	816
B100574	18.5	2937	400/690 Δ/Y	33.0	244.2	252	B149928	485/560	457	816
B100575	22	2940	400/690 Δ/Y	38.1	308.1	287	B149937	485/560	457	816
B100576	2.2	1440	230/400 Δ/Y	4.6	32.5	131	B148059	485/560	378	689
B100577	3	1440	230/400 Δ/Y	6.2	43.3	137	B148059	485/560	378	689
B100578	4	1445	400/690 Δ/Y	8.1	60.9	142	B148059	485/560	378	689
B100579	5.5	1455	400/690 Δ/Y	10.9	69.8	153	B148059	485/560	378	689

All indicated values for 400 V/50 Hz/3~.

h*: Casing position: 0°, 90° h**: Casing position: 270°

CREM01-45-0500 Centrifugal fan

Eatec by Pollrich DLK



- Z05** Protective grill suction side
Ord. no. B151076
- Z10** Flexible sleeve round
Ord. no. B141028
- Z13** Inspection hatch
Ord. no. B240509
- Z16** Rubber anti vibration mounts (see below)
- Z18** Flange, round
Ord. no. B101443
- Z19** Flange, square
Ord. no. B101228
- Z45** Counter flange
Ord. no. B101395
- Z63** Transition piece, square to round
Ord. no. B101520
- Z81** Flexible sleeve square
Ord. no. B101301
- Z89** Condensate drain
Ord. no. B240506

Full specifications for accessories, see page 122

CREM01-45-0500-B

Order no. Fan	Motor power output [kW]	Speed [1/min]	Voltage [V] Connection	Nominal current [A]	Starting current [A]	Weight ca. [kg]	Order no. Z16	h* / h** [mm]	b [mm]	l [mm]
B100580	11	2930	400/690 Δ/Y	19.9	151.2	211	B149928	530/610	496	881
B100581	15	2930	400/690 Δ/Y	26.6	204.4	237	B149928	530/610	496	881
B100582	18.5	2937	400/690 Δ/Y	33.0	244.2	267	B149928	530/610	496	881
B100583	22	2940	400/690 Δ/Y	38.1	308.1	302	B149937	530/610	496	881
B100584	30	2950	400/690 Δ/Y	53.4	416.5	356	B149937	530/610	496	881
B100585	2.2	1440	230/400 Δ/Y	4.6	32.5	146	B148059	530/610	392	716
B100586	3	1440	230/400 Δ/Y	6.2	43.3	152	B148059	530/610	392	716
B100587	4	1445	400/690 Δ/Y	8.1	60.9	157	B148059	530/610	392	716
B100588	5.5	1455	400/690 Δ/Y	10.9	69.8	168	B148059	530/610	392	716
B100589	7.5	1455	400/690 Δ/Y	14.5	69.8	179	B148059	530/610	392	716
B100590	11	1460	400/690 Δ/Y	22.1	144.9	253	B149928	530/610	496	881

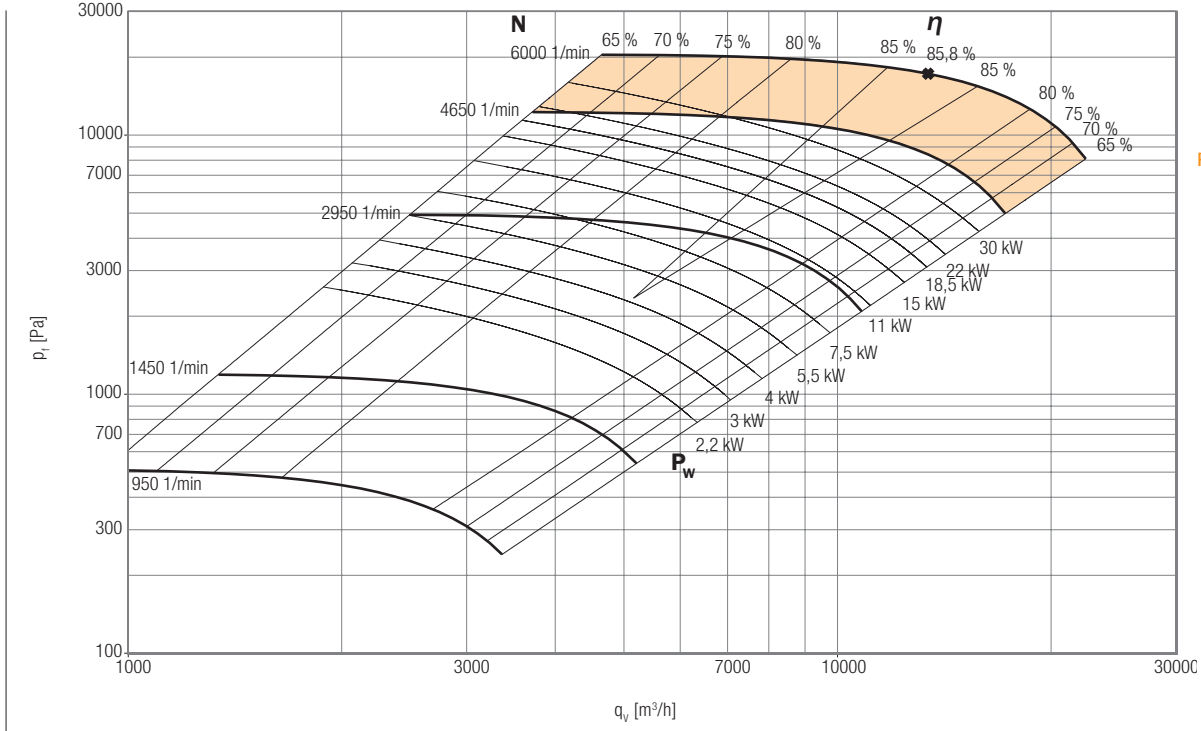
All indicated values for 400 V/50 Hz/3~.

h*: Casing position: 0°, 90°

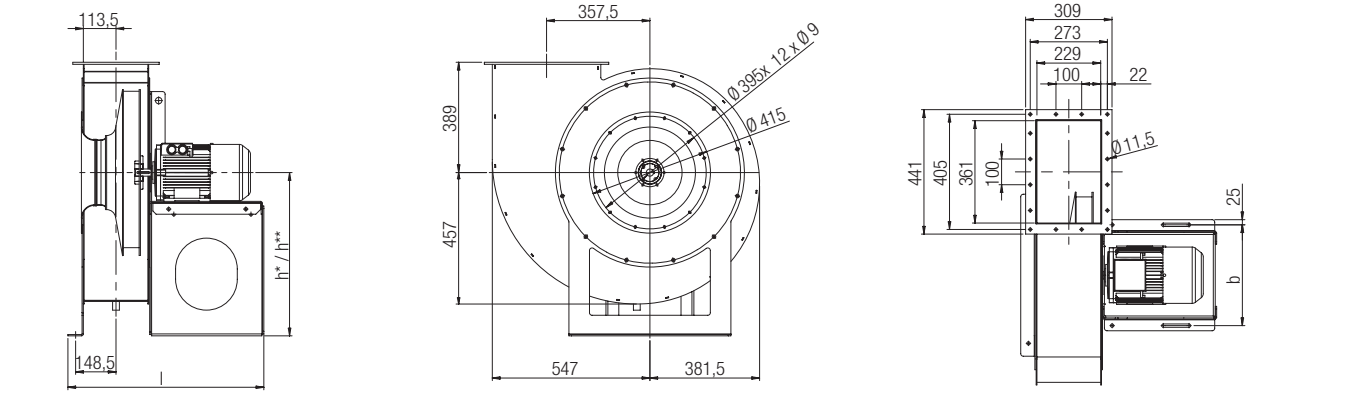
h**: Casing position: 270°

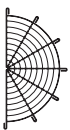
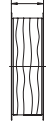
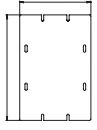



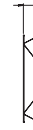



CREM01-45-0560 Centrifugal fan

Etatec by Pollrich DLK



Power range on request



- 
Z05 Protective grill suction side
Ord. no. B151074
- 
Z10 Flexible sleeve round
Ord. no. B141029
- 
Z13 Inspection hatch
Ord. no. B240509
- 
Z16 Rubber anti vibration mounts (see below)
- 
Z18 Flange, round
Ord. no. B101444
- 
Z19 Flange, square
Ord. no. B101229
- 
Z45 Counter flange
Ord. no. B101374
- 
Z63 Transition piece, square to round
Ord. no. B101521
- 
Z81 Flexible sleeve square
Ord. no. B101302
- 
Z89 Condensate drain
Ord. no. B240506

Full specifications for accessoires, see page 122

CREM01-45-0560-B

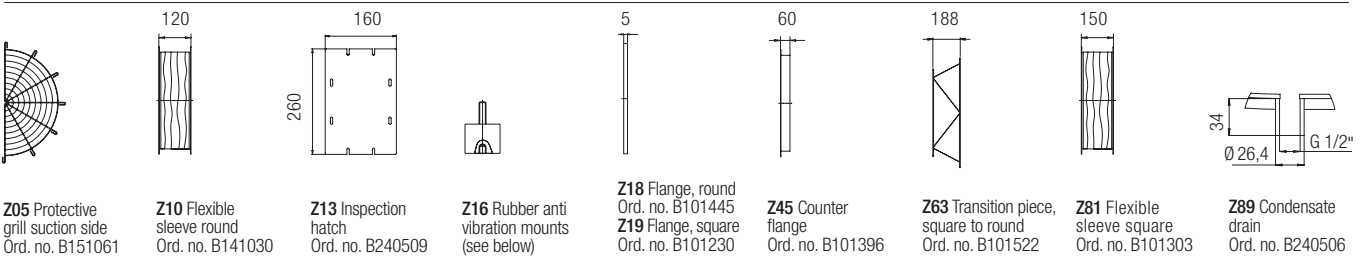
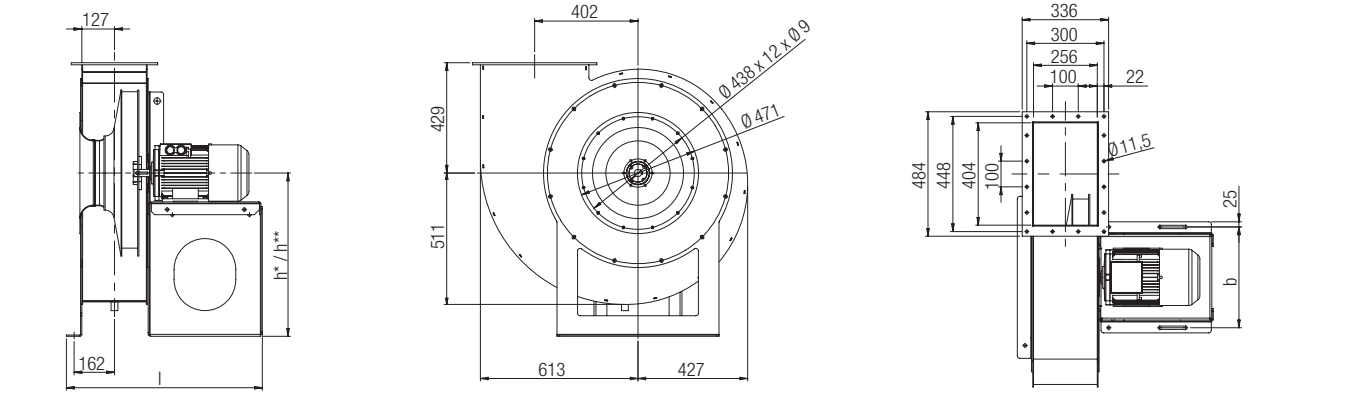
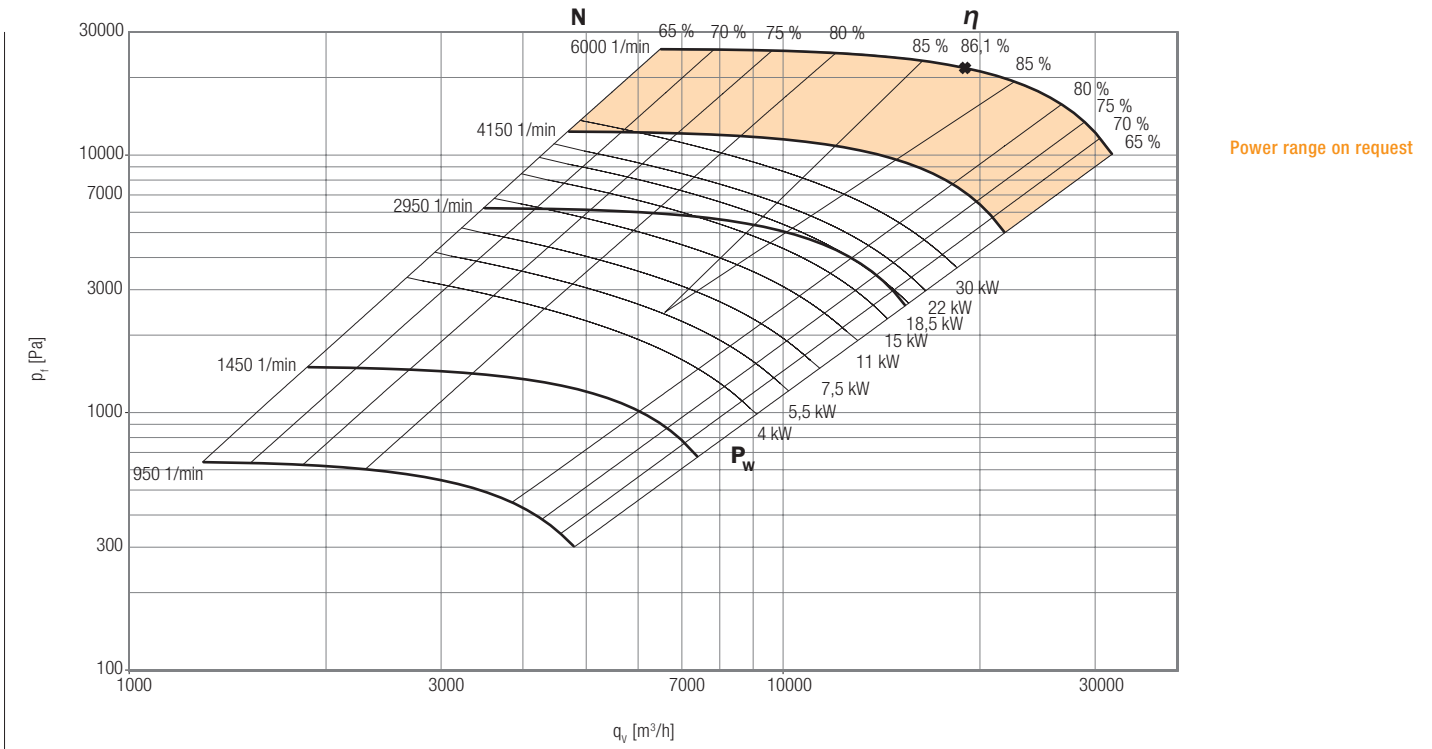
Order no. Fan	Motor power output [kW]	Speed [1/min]	Voltage [V] Connection	Nominal current [A]	Starting current [A]	Weight ca. [kg]	Order no. Z16	h* / h** [mm]	b [mm]	l [mm]
B100591	18.5	2937	400/690 Δ/Y	33.0	244.2	282	B149937	580/670	538.5	905
B100592	22	2940	400/690 Δ/Y	38.1	308.1	317	B149937	580/670	538.5	905
B100593	30	2950	400/690 Δ/Y	53.4	416.5	371	B149937	580/670	538.5	905
B100594	2.2	1440	230/400 Δ/Y	4.6	32.5	161	B148059	580/670	392	735
B100595	3	1440	230/400 Δ/Y	6.2	43.3	167	B148059	580/670	392	735
B100596	4	1445	400/690 Δ/Y	8.1	60.9	172	B148059	580/670	392	735
B100597	5.5	1455	400/690 Δ/Y	10.9	69.8	183	B149928	580/670	392	735
B100598	7.5	1455	400/690 Δ/Y	14.5	69.8	194	B149928	580/670	392	735
B100599	11	1460	400/690 Δ/Y	22.1	144.9	268	B149928	580/670	470	905
B100600	15	1460	400/690 Δ/Y	29.6	210.0	244	B149928	580/670	470	905
B100601	18.5	1470	400/690 Δ/Y	32.7	265.2	300	B149937	580/670	470	905

All indicated values for 400 V/50 Hz/3~.

h*: Casing position: 0°, 90° h**: Casing position: 270°

CREM01-45-0630 Centrifugal fan

Etatec by Pollrich DLK



Full specifications for accessories, see page 122

CREM01-45-0630-B

Order no. Fan	Motor power output [kW]	Speed [1/min]	Voltage [V] Connection	Nominal current [A]	Starting current [A]	Weight ca. [kg]	Order no. Z16	h* / h** [mm]	b [mm]	l [mm]
B100602	30	2950	400/690 Δ/Y	53.4	416.5	406	B149937	635/735	508	910
B100603	4	1445	400/690 Δ/Y	8.1	60.9	207	B149928	635/735	475	877
B100604	5.5	1455	400/690 Δ/Y	10.9	69.8	218	B149928	635/735	475	877
B100605	7.5	1455	400/690 Δ/Y	14.5	69.8	229	B149928	635/735	475	877
B100606	11	1460	400/690 Δ/Y	22.1	144.9	303	B149937	635/735	475	877
B100607	15	1460	400/690 Δ/Y	29.6	210.8	279	B149937	635/735	475	877
B100608	18.5	1470	400/690 Δ/Y	32.7	265.2	335	B149937	635/735	475	877
B100609	22	1470	400/690 Δ/Y	38.4	301.5	349	B149937	635/736	475	877

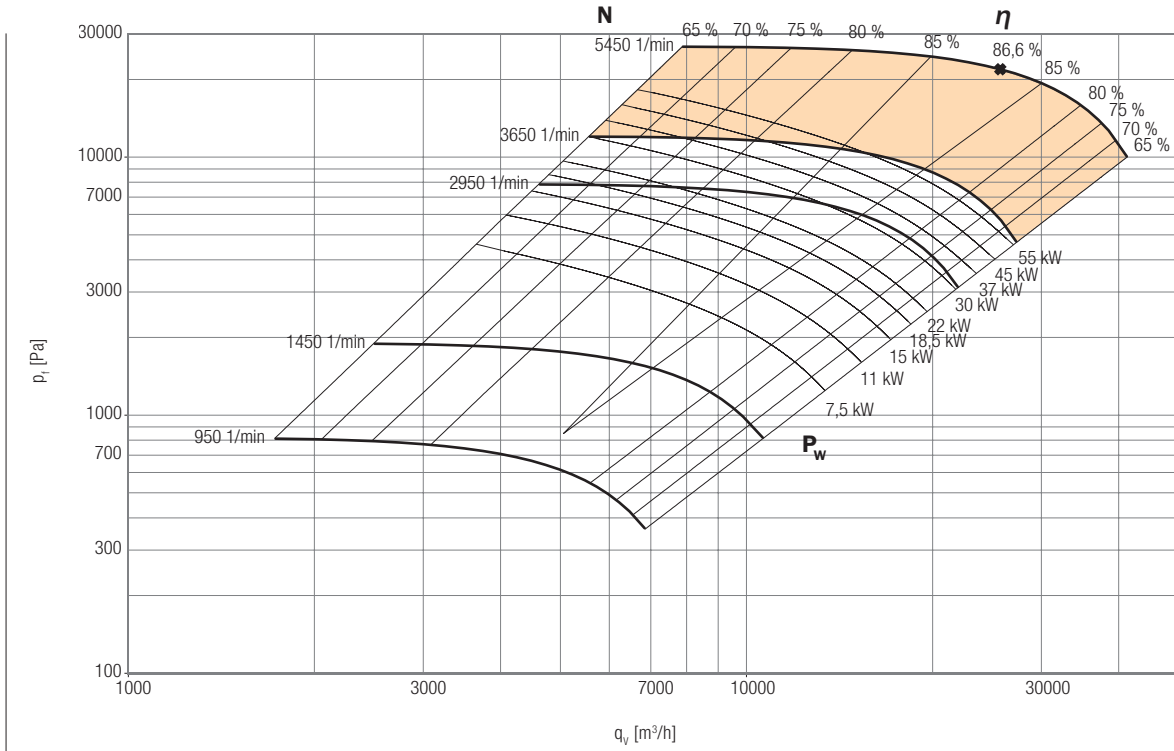
All indicated values for 400 V/50 Hz/3-..

h*: Casing position: 0°, 90°

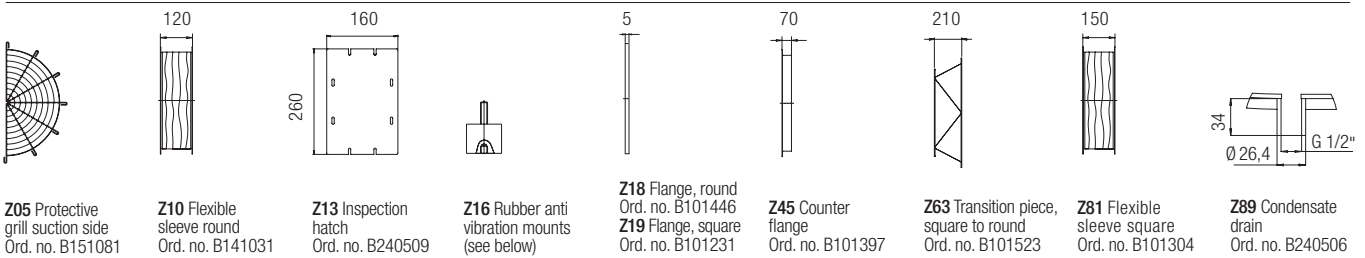
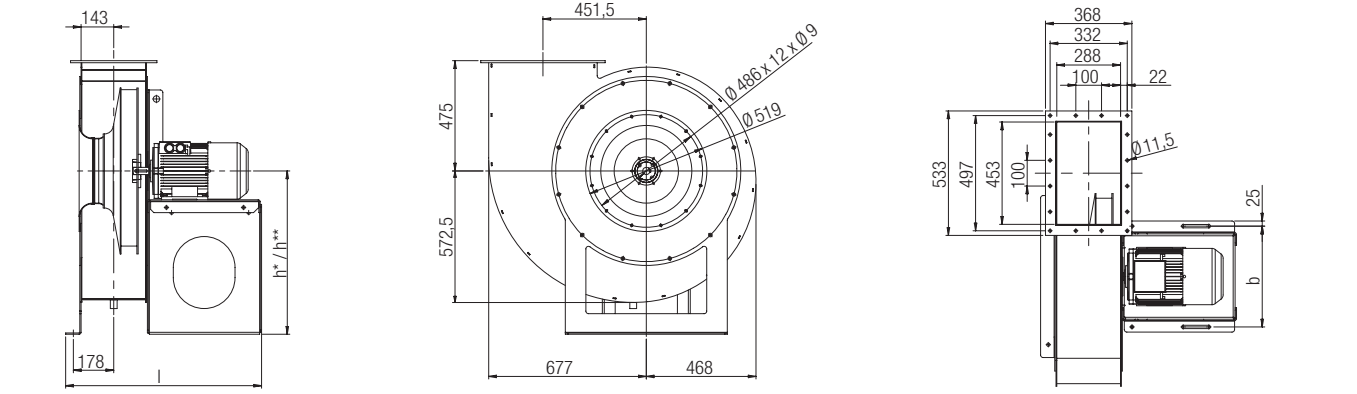
h**: Casing position: 270°

CREM01-45-0710 Centrifugal fan

Etatec by Pollrich DLK



Power range on request



Full specifications for accessoires, see page 122

CREM01-45-0710-B

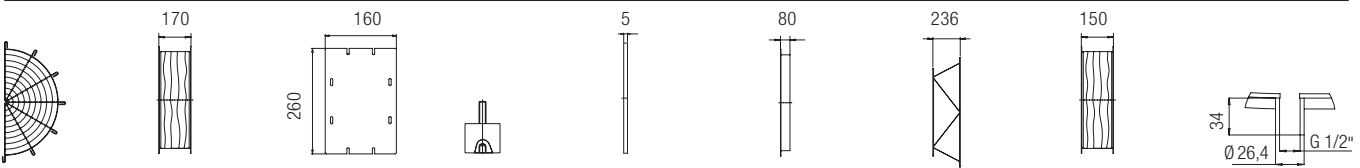
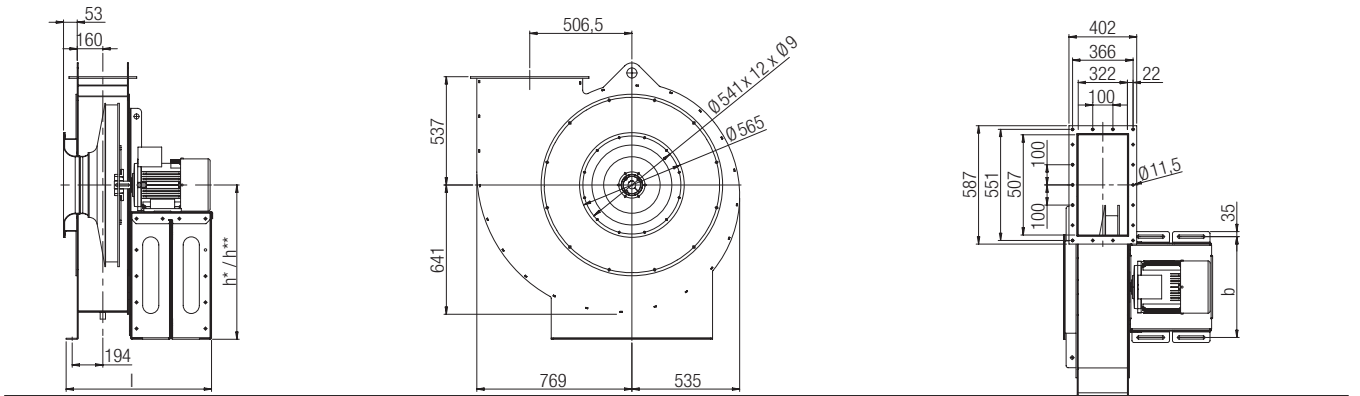
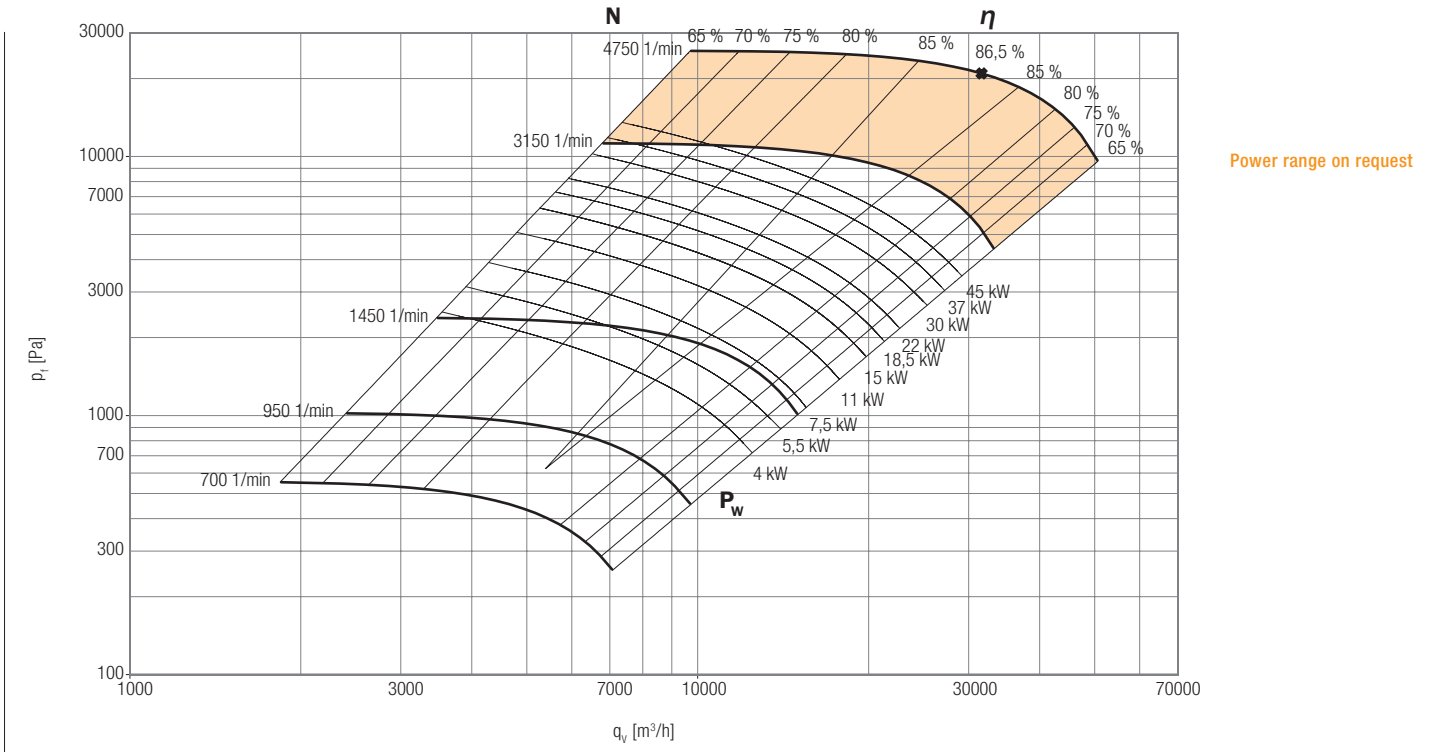
Order no. Fan	Motor power output [kW]	Speed [1/min]	Voltage [V] Connection	Nominal current [A]	Starting current [A]	Weight ca. [kg]	Order no. Z16	h^*/h^{**} [mm]	b [mm]	l [mm]
B100610	55	2965	400/690 Δ/Y	93.6	671.0	602	B149948	695/810	620	1054
B100611	7.5	1455	400/690 Δ/Y	14.5	69.8	284	B149937	695/810	475	909
B100612	11	1460	400/690 Δ/Y	22.1	144.9	358	B149937	695/810	475	909
B100613	15	1460	400/690 Δ/Y	29.6	210.8	334	B149937	695/810	475	909
B100614	18.5	1470	400/690 Δ/Y	32.7	265.2	390	B149937	695/810	475	909
B100615	22	1470	400/690 Δ/Y	38.4	301.5	404	B149937	695/810	475	909
B100616	30	1470	400/690 Δ/Y	54.4	386.2	490	B149948	695/810	620	1054
B100617	37	1480	400/690 Δ/Y	66.2	496.5	530	B149948	695/810	620	1054
B100618	45	1480	400/690 Δ/Y	80.1	608.8	560	B149948	695/810	620	1054

All indicated values for 400 V/50 Hz/3~.

h^* : Casing position: 0°, 90° h^{**} : Casing position: 270°

CREM01-45-0800 Centrifugal fan

Eatec by Pollrich DLK



- Z05** Protective grill suction side
Ord. no. B151068
- Z10** Flexible sleeve round
Ord. no. B141032
- Z13** Inspection hatch
Ord. no. B240512
- Z16** Rubber anti vibration mounts (see below)
- Z18** Flange, round
Ord. no. B101447
- Z19** Flange, square
Ord. no. B101232
- Z45** Counter flange
Ord. no. B101398
- Z63** Transition piece, square to round
Ord. no. B101524
- Z81** Flexible sleeve square
Ord. no. B101305
- Z89** Condensate drain
Ord. no. B240506

Full specifications for accessories, see page 122

CREM01-45-0800-B

Order no. Fan	Motor power output [kW]	Speed [1/min]	Voltage [V] Connection	Nominal current [A]	Starting current [A]	Weight ca. [kg]	Order no. Z16	h* / h** [mm]	b [mm]	l [mm]
B100619	15	1460	400/690 Δ/Y	29.6	210.8	404	B149937	765/890	500	939
B100620	18.5	1470	400/690 Δ/Y	32.7	265.2	460	B149948	765/890	500	975
B100621	22	1470	400/690 Δ/Y	38.4	301.5	474	B149948	765/890	500	975
B100622	30	1470	400/690 Δ/Y	54.4	386.2	560	B149948	765/890	570	1066
B100623	37	1480	400/690 Δ/Y	66.2	496.5	600	B149948	765/890	570	1106
B100624	45	1480	400/690 Δ/Y	80.1	608.8	630	B149948	765/890	570	1106
B100625	4	965	400/690 Δ/Y	9.0	44.8	343	B149937	765/890	500	787
B100626	5.5	965	400/690 Δ/Y	12.0	66.0	354	B149937	765/890	500	787
B100627	7.5	970	400/690 Δ/Y	15.9	103.4	390	B149937	765/890	500	939
B100628	11	970	400/690 Δ/Y	22.1	171.8	439	B149937	765/890	500	939
B100629	15	975	400/690 Δ/Y	29.8	190.7	488	B149948	765/890	500	975

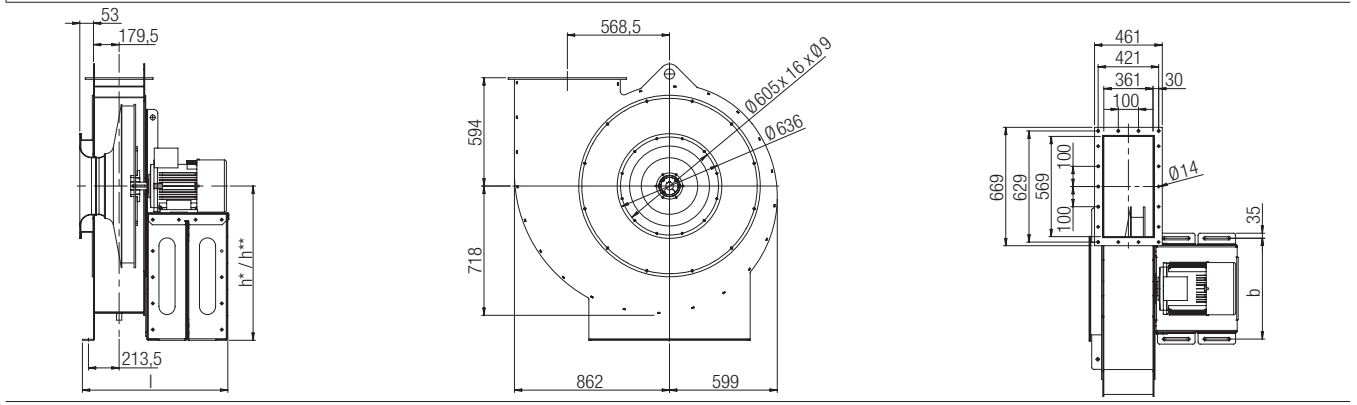
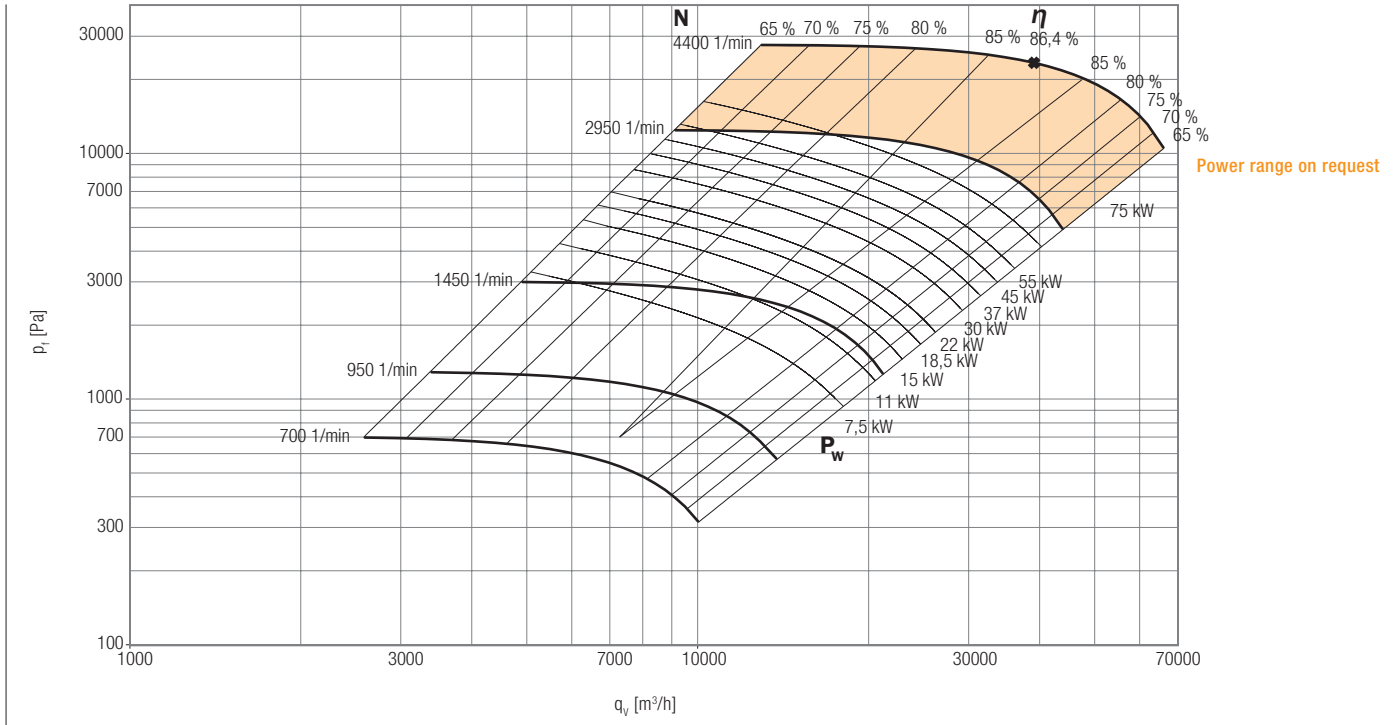
All indicated values for 400 V/50 Hz/3~.

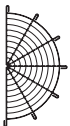
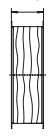
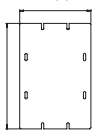
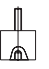




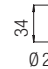

h*: Casing position: 0°, 90°

h**: Casing position: 270°

CREM01-45-0900 Centrifugal fan

Etatec by Pollrich DLK



- 
Z05 Protective grill suction side
 Ord. no. B151066
 - 
Z10 Flexible sleeve round
 Ord. no. B141033
 - 
Z13 Inspection hatch
 Ord. no. B240512
 - 
Z16 Rubber anti vibration mounts (see below)
 - 
Z18 Flange, round
 Ord. no. B101448
 - 
Z19 Flange, square
 Ord. no. B101233
 - 
Z45 Counter flange
 Ord. no. B101378
 - 
Z63 Transition piece, square to round
 Ord. no. B101525
 - 
Z81 Flexible sleeve square
 Ord. no. B101306
 - 
Z89 Condensate drain
 Ord. no. B240506
- Full specifications for accessoires, see page 122

CREM01-45-0900-B

Order no. Fan	Motor power output [kW]	Speed [1/min]	Voltage [V] Connection	Nominal current [A]	Starting current [A]	Weight ca. [kg]	Order no. Z16	h* / h** [mm]	b [mm]	l [mm]
B100630	22	1470	400/690 Δ/Y	38.4	288	594	B149948	840/985	513	1010
B100631	30	1470	400/690 Δ/Y	54.4	386.2	680	B149948	840/985	513	1101
B100632	37	1480	400/690 Δ/Y	66.2	496.5	720	B149948	840/985	653.4	1138
B100633	45	1480	400/690 Δ/Y	80.1	608.8	750	B149948	840/985	653.4	1138
B100634	55	1480	400/690 Δ/Y	96.7	705.9	805	B149948	840/985	653.4	1199
B100635	75	1480	400/690 Δ/Y	131.0	995.6	925	B250291	840/985	653.4	1271
B100636	7.5	970	400/690 Δ/Y	15.9	103.4	510	B149948	840/985	513	974
B100637	11	970	400/690 Δ/Y	22.1	165.8	559	B149948	840/985	513	974
B100638	15	975	400/690 Δ/Y	29.8	190.7	608	B149948	840/985	513	1010
B100639	18.5	980	400/690 Δ/Y	35.7	249.9	610	B149948	840/985	513	1101
B100640	22	980	400/690 Δ/Y	41.6	291.2	638	B149948	840/985	513	1101

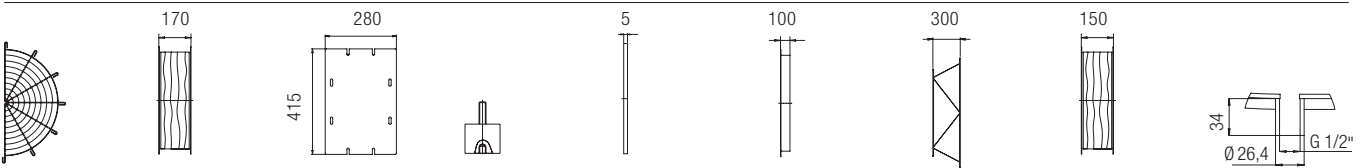
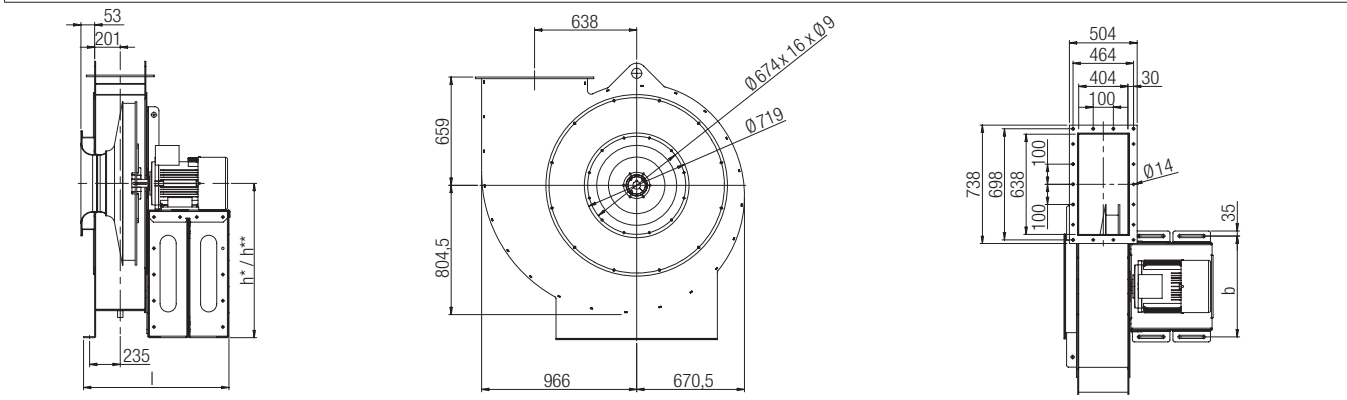
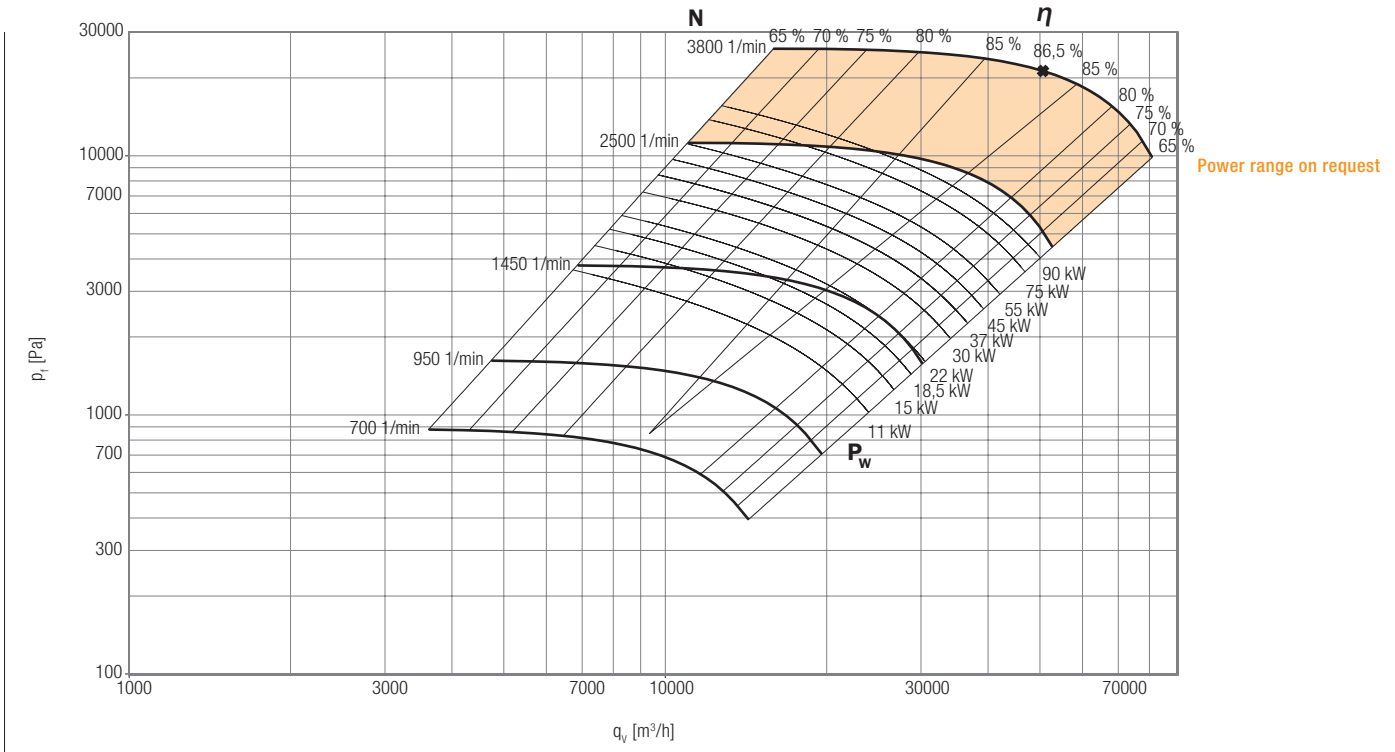
All indicated values for 400 V/50 Hz/3~.

h*: Casing position: 0°, 90°

h**: Casing position: 270°

CREM01-45-1000 Centrifugal fan

Eatec by Pollrich DLK



- Z05** Protective grill suction side
Ord. no. B151088
- Z10** Flexible sleeve round
Ord. no. B141035
- Z13** Inspection hatch
Ord. no. B240512
- Z16** Rubber anti vibration mounts (see below)
- Z18** Flange, round
Ord. no. B101449
- Z19** Flange, square
Ord. no. B101234
- Z45** Counter flange
Ord. no. B101379
- Z63** Transition piece, square to round
Ord. no. B101526
- Z81** Flexible sleeve square
Ord. no. B101307
- Z89** Condensate drain
Ord. no. B240506

Full specifications for accessories, see page 122

CREM01-45-1000-B

Order no. Fan	Motor power output [kW]	Speed [1/min]	Voltage [V] Connection	Nominal current [A]	Starting current [A]	Weight ca. [kg]	Order no. Z16	h^*/h^{**} [mm]	b [mm]	l [mm]
B100641	37	1480	400/690 Δ/Y	66.2	496.5	840	B149948	925/1085	714.4	1184
B100642	45	1480	400/690 Δ/Y	80.1	608.8	870	B149948	925/1085	714.4	1184
B100643	55	1480	400/690 Δ/Y	96.7	711.8	925	B250291	925/1085	714.4	1245
B100644	75	1480	400/690 Δ/Y	131.0	1003.2	1045	B250291	925/1085	714.4	1317
B100645	90	1480	400/690 Δ/Y	157.0	1185.0	1141	B250291	925/1085	714.4	1317
B100646	15	975	400/690 Δ/Y	29.8	190.7	728	B149948	925/1085	520	1053
B100647	18.5	980	400/690 Δ/Y	35.7	254.8	730	B149948	925/1085	520	1144
B100648	22	980	400/690 Δ/Y	41.6	294.0	758	B149948	925/1085	520	1144
B100649	30	980	400/690 Δ/Y	56.2	365.3	826	B149948	925/1085	714.4	1184
B100650	37	980	400/690 Δ/Y	66.9	464.4	910	B149948	925/1085	714.4	1245
B100651	11	730	400/690 Δ/Y	23.4	142.8	690	B149948	925/1085	520	1053

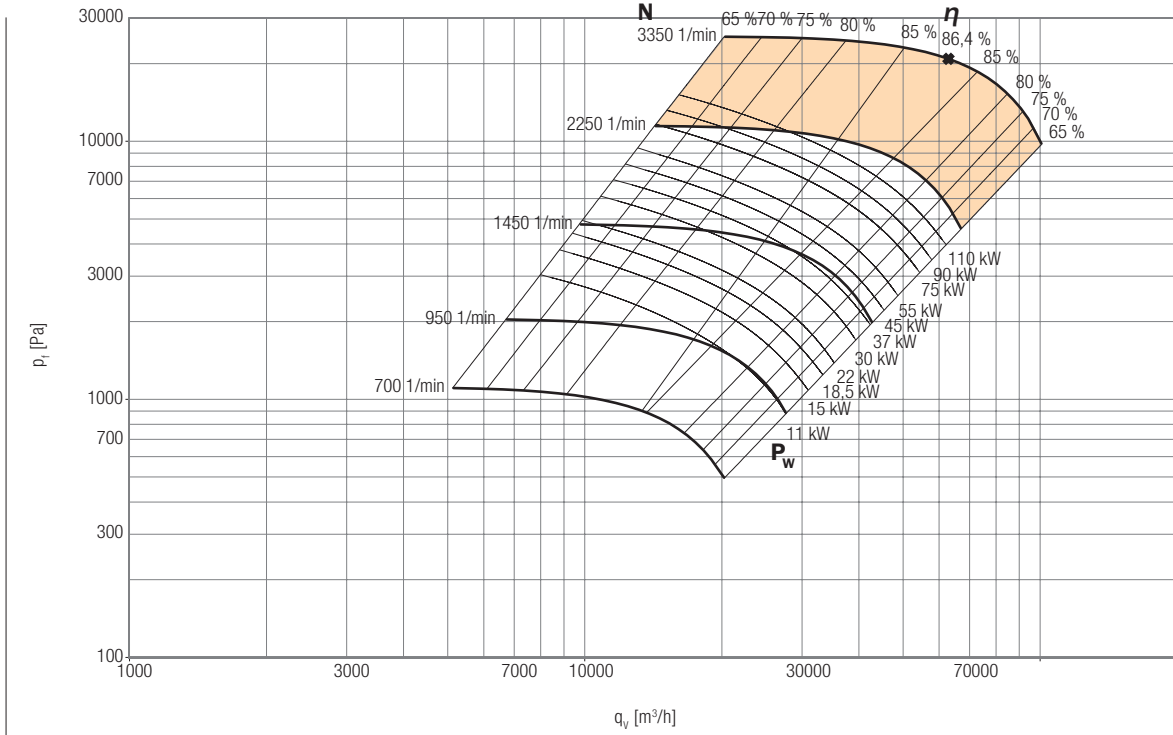
All indicated values for 400 V/50 Hz/3~.

h^* : Casing position: 0°, 90°

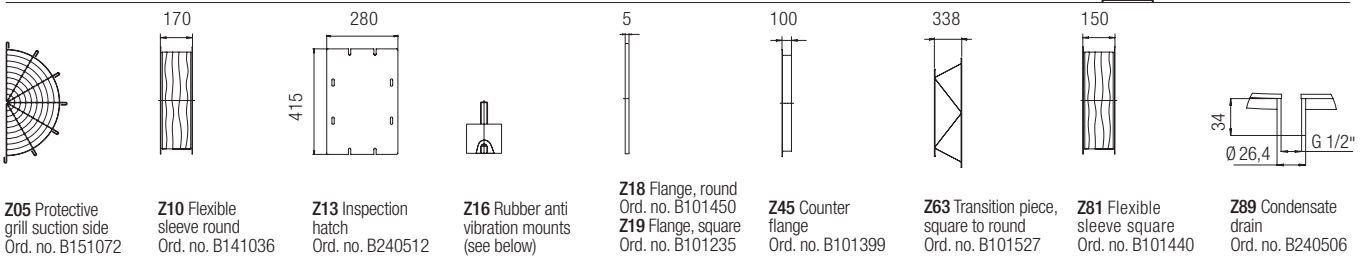
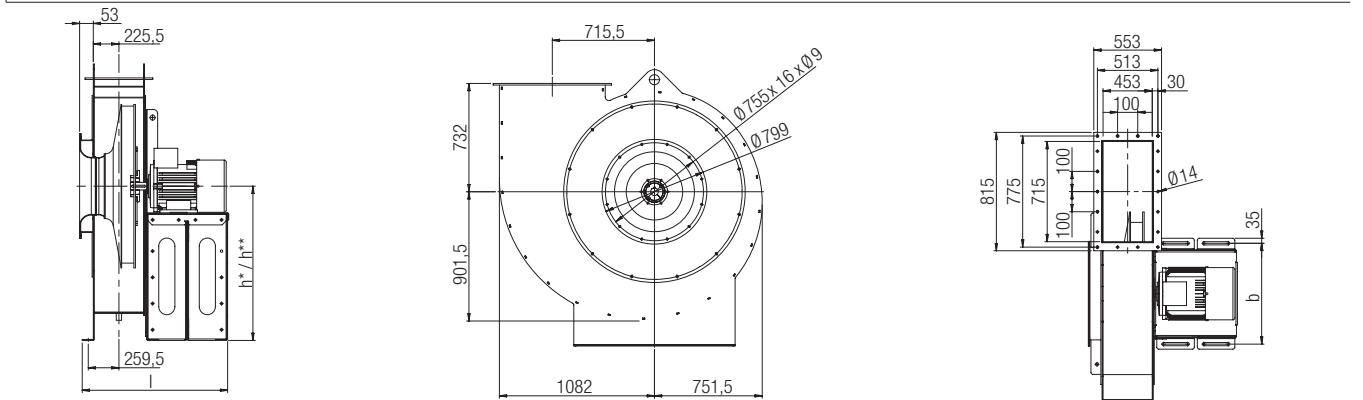
h^{**} : Casing position: 270°

CREM01-45-1120 Centrifugal fan

Etatec by Pollrich DLK



Power range on request



Full specifications for accessoires, see page 122

CREM01-45-1120-B

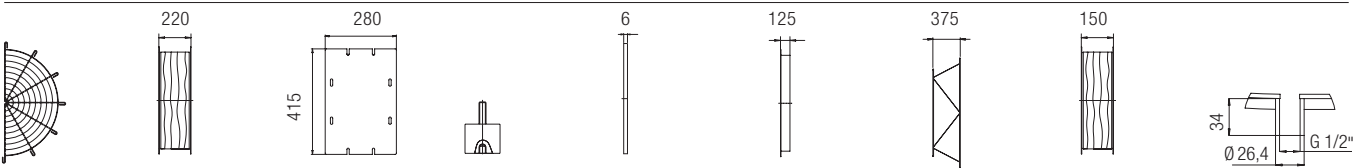
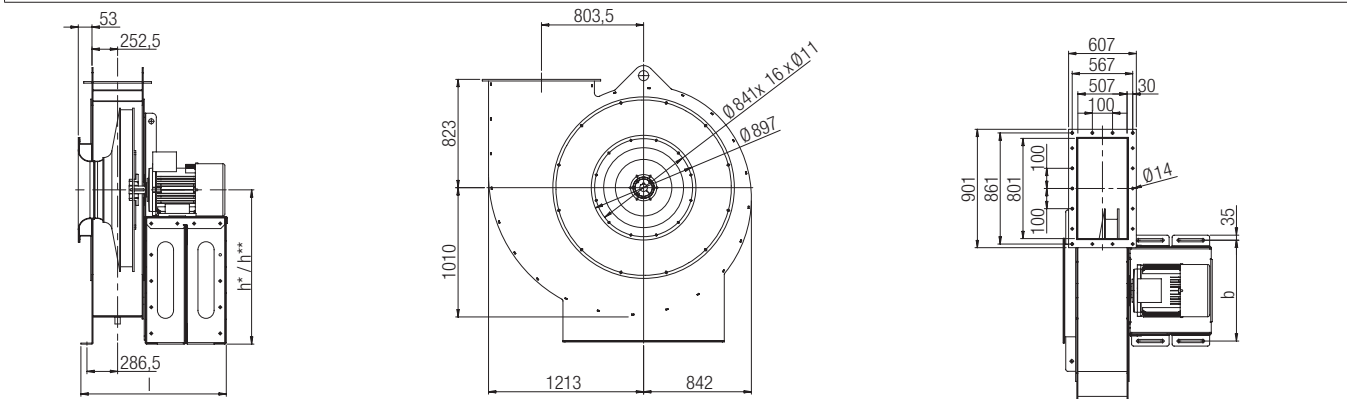
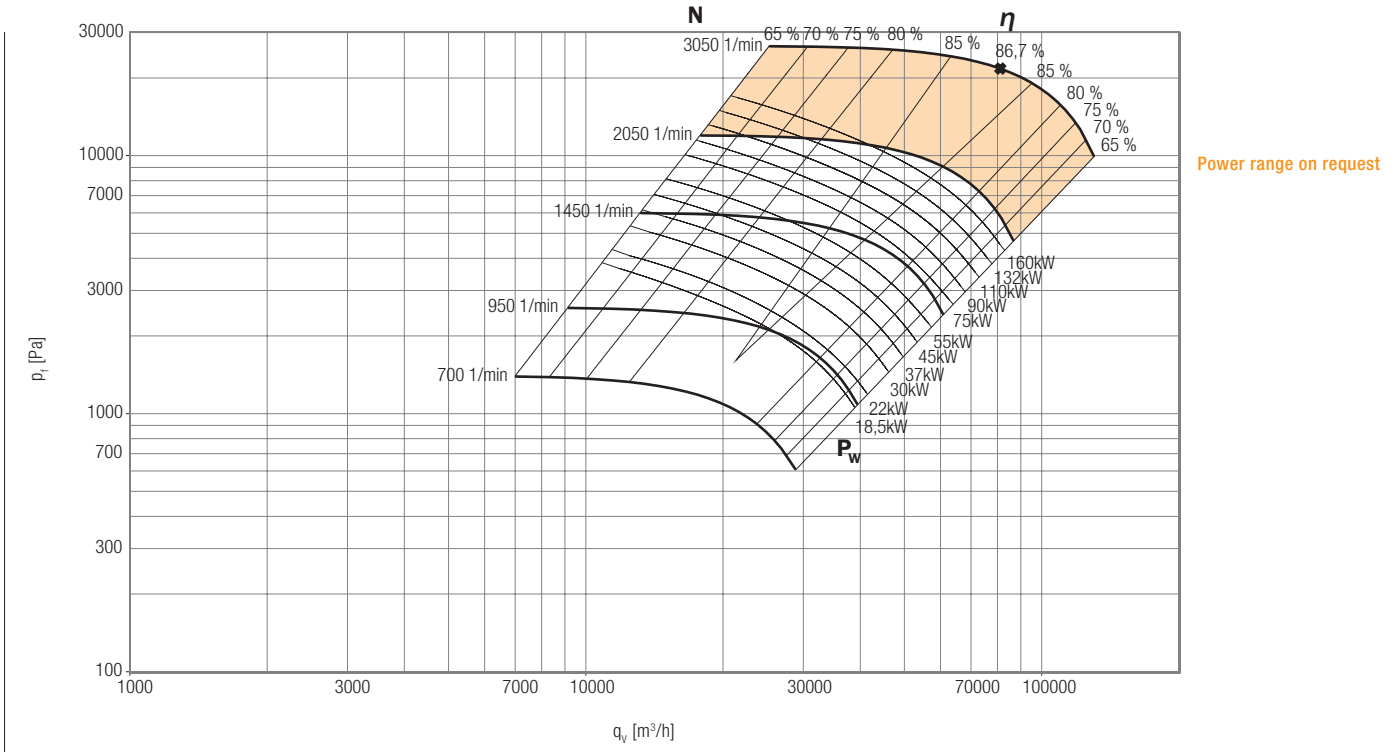
Order no. Fan	Motor power output [kW]	Speed [1/min]	Voltage [V] Connection	Nominal current [A]	Starting current [A]	Weight ca. [kg]	Order no. Z16	h^* / h^{**} [mm]	b [mm]	l [mm]
B100652	75	1480	400/690 Δ/Y	131.0	1003.2	1135	B250291	1025/1205	786.6	1383
B100653	90	1480	400/690 Δ/Y	157.0	1185.0	1231	B250291	1025/1205	786.6	1383
B100654	110	1485	400/690 Δ/Y	191.0	1356.1	1570	B250291	1025/1205	786.6	1586
B100655	18.5	980	400/690 Δ/Y	35.7	254.8	820	B149948	925/1085	560	1210
B100656	22	980	400/690 Δ/Y	41.6	294.0	848	B149948	925/1085	560	1210
B100657	30	980	400/690 Δ/Y	56.2	365.3	916	B149948	925/1085	560	1250
B100658	37	980	400/690 Δ/Y	66.9	464.4	1000	B250291	1025/1205	786.6	1311
B100659	45	980	400/690 Δ/Y	80.4	570.5	1110	B250291	1025/1205	786.6	1383
B100660	55	980	400/690 Δ/Y	96.6	704.3	1165	B250291	1025/1205	786.6	1383
B100661	75	985	400/690 Δ/Y	132.1	978.2	1535	B250291	1025/1205	786.6	1586
B100662	11	730	400/690 Δ/Y	23.4	142.8	780	B149948	925/1085	560	1119
B100663	15	730	400/690 Δ/Y	32.1	213.8	848	B149948	925/1085	560	1210

All indicated values for 400 V/50 Hz/3~.

h^* : Casing position: 0°, 90° h^{**} : Casing position: 270°

CREM01-45-1250 Centrifugal fan

Eatec by Pollrich DLK



- Z05** Protective grill suction side
Ord. no. B151092
- Z10** Flexible sleeve round
Ord. no. B141037
- Z13** Inspection hatch
Ord. no. B240512
- Z16** Rubber anti vibration mounts (see below)
- Z18** Flange, round
Ord. no. B101451
- Z19** Flange, square
Ord. no. B101248
- Z45** Counter flange
Ord. no. B101400
- Z63** Transition piece, square to round
Ord. no. B101528
- Z81** Flexible sleeve square to round
Ord. no. B101320
- Z89** Condensate drain
Ord. no. B240506

Full specifications for accessoires, see page 122

CREM01-45-1250-B

Order no. Fan	Motor power output [kW]	Speed [1/min]	Voltage [V] Connection	Nominal current [A]	Starting current [A]	Weight ca. [kg]	Order no. Z16	h* / h** [mm]	b [mm]	l [mm]
B100664	110	1485	400/690 Δ/Y	191.0	1356.1	1771	B250291	1025/1205	758	1623
B100665	132	1485	400/690 Δ/Y	228.0	1664.4	1858	B250291	1025/1205	758	1623
B100666	160	1485	400/690 Δ/Y	273.0	2020.2	1928	B250291	1025/1205	758	1623
B100667	30	980	400/690 Δ/Y	56.2	365.3	1117	B250291	1025/1205	758	1287
B100668	37	980	400/690 Δ/Y	66.9	464.4	1201	B250291	1025/1205	758	1348
B100669	45	980	400/690 Δ/Y	80.4	570.5	1311	B250291	1025/1205	758	1420
B100670	55	980	400/690 Δ/Y	96.6	704.3	1366	B250291	1025/1205	758	1420
B100671	75	985	400/690 Δ/Y	132.1	978.2	1736	B250291	1025/1205	758	1623
B100672	90	985	400/690 Δ/Y	159.0	1136.0	1814	B250291	1025/1205	758	1623
B100673	110	985	400/690 Δ/Y	194.0	1450.4	1886	B250291	1025/1205	758	1623
B100674	18.5	730	400/690 Δ/Y	39.0	257.4	1063	B250291	1025/1205	758	1287
B100675	22	730	400/690 Δ/Y	44.2	297.0	1086	B250291	1025/1205	758	1287

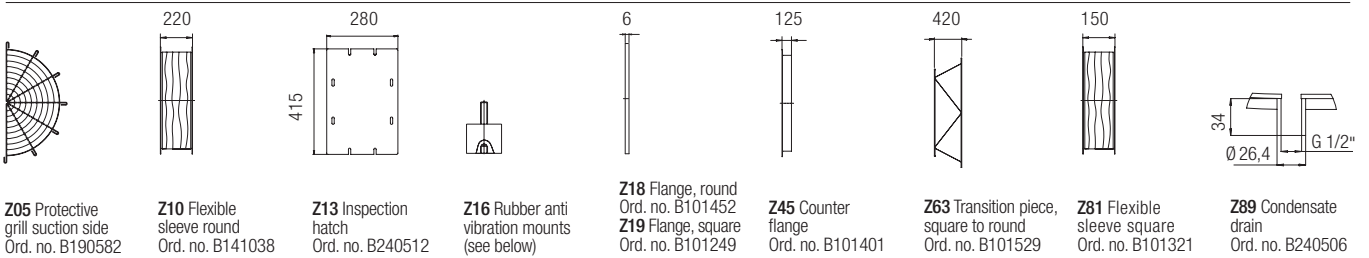
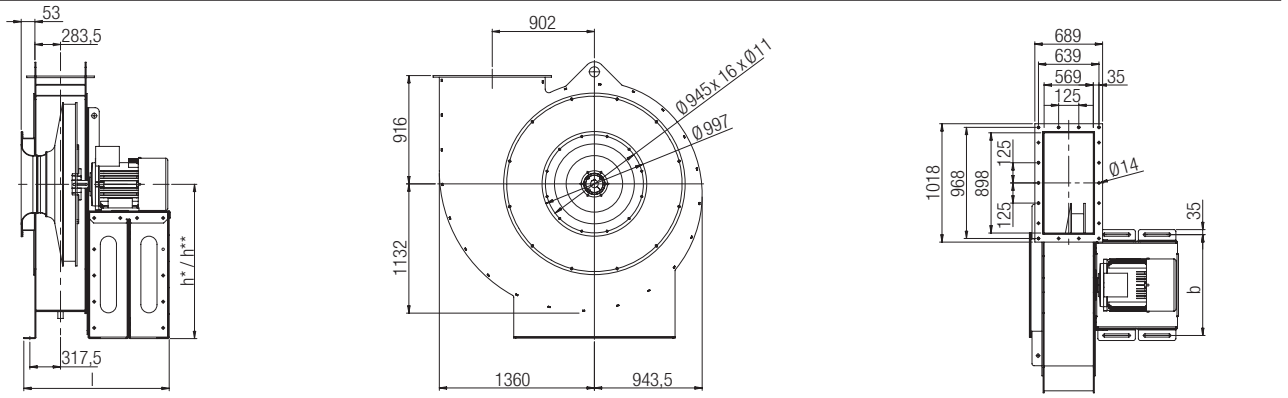
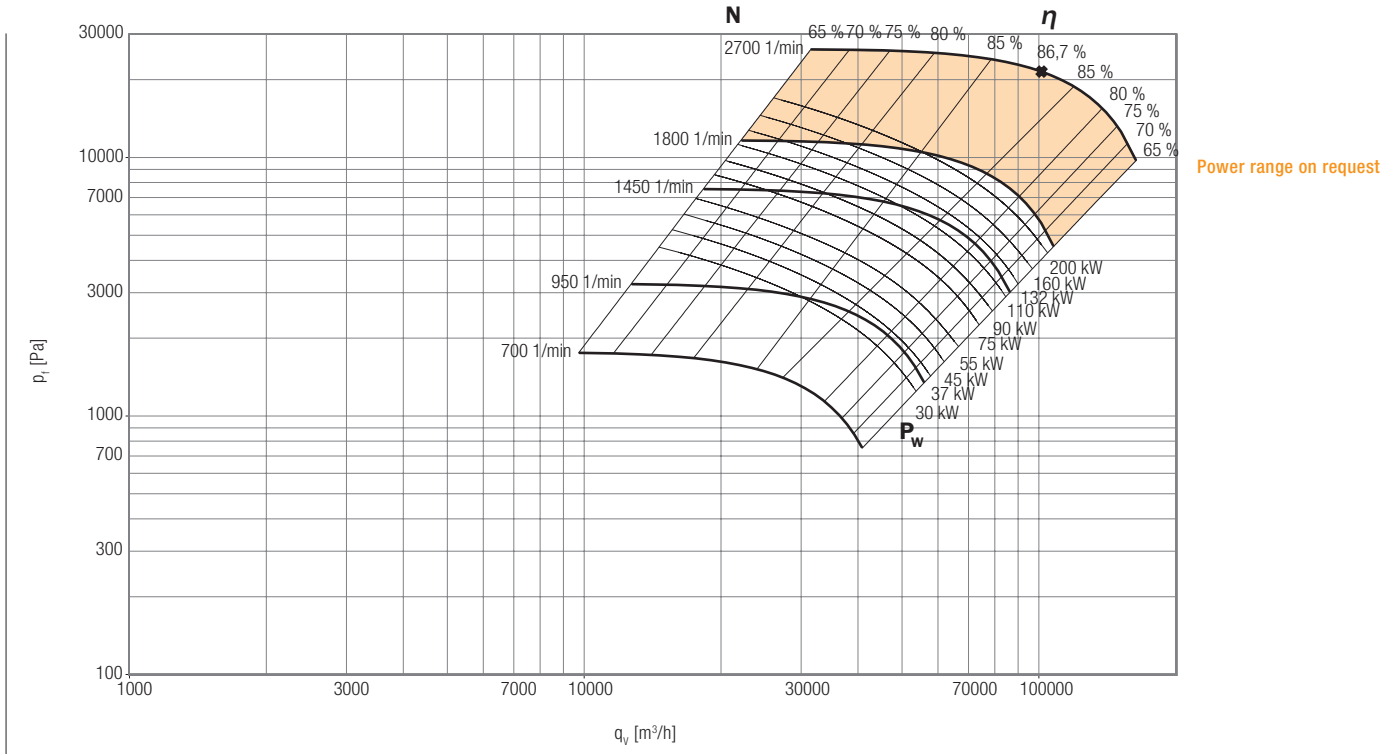
All indicated values for 400 V/50 Hz/3~.

h*: Casing position: 0°, 90°

h**: Casing position: 270°

CREM01-45-1400 Centrifugal fan

Etatec by Pollrich DLK



Full specifications for accessoires, see page 122

CREM01-45-1400-B

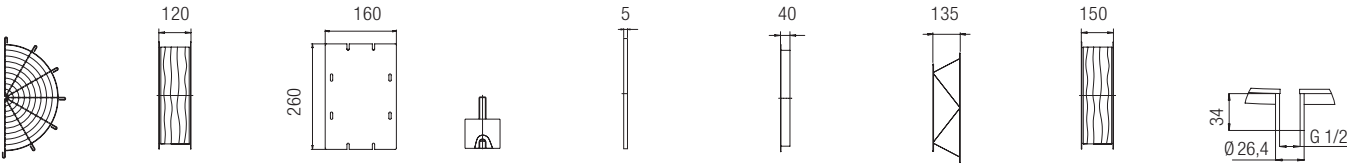
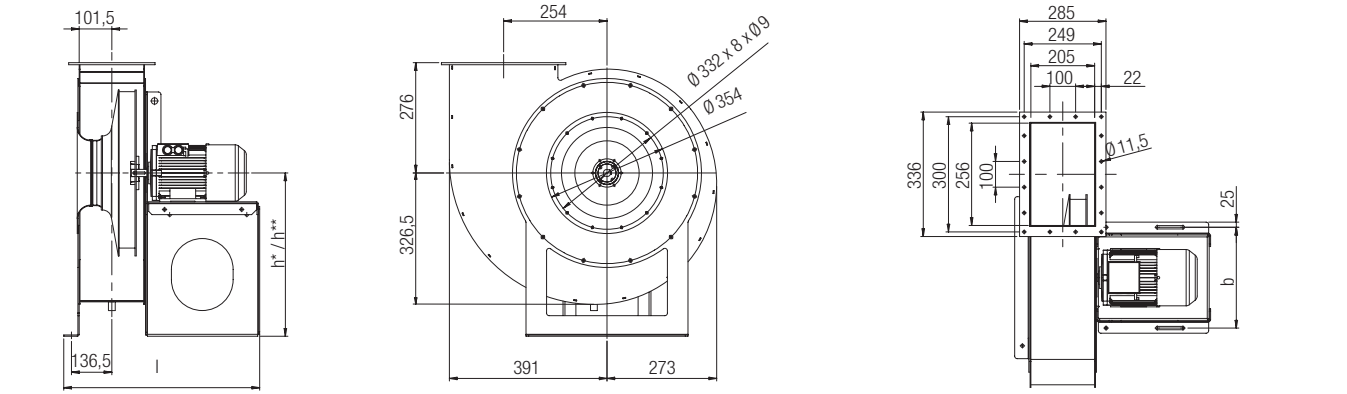
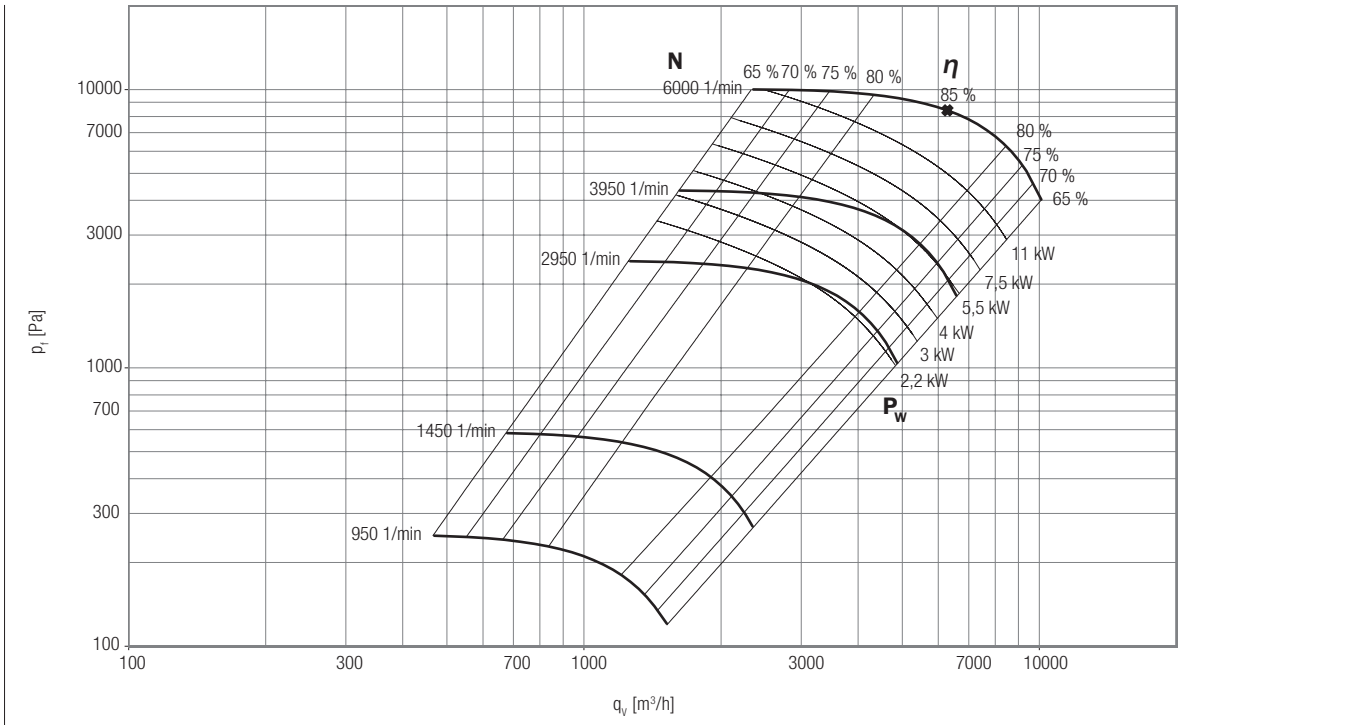
Order no. Fan	Motor power output [kW]	Speed [1/min]	Voltage [V] Connection	Nominal current [A]	Starting current [A]	Weight ca. [kg]	Order no. Z16	h* / h** [mm]	b [mm]	l [mm]
B100676	200	1485	400/690 Δ/Y	341.0	2591.6	2160	B250294	1135/1335	760	1687
B100677	75	985	400/690 Δ/Y	132.1	978.2	1850	B250291	1135/1335	760	1687
B100678	90	985	400/690 Δ/Y	159.0	1136.0	1928	B250291	1135/1335	760	1687
B100679	110	985	400/690 Δ/Y	194.0	1450.4	2000	B250294	1135/1335	760	1687
B100680	132	985	400/690 Δ/Y	229.0	1755.6	2120	B250294	1135/1335	760	1687
B100681	160	990	400/690 Δ/Y	274.0	2105.2	2485	B250294	1135/1335	860	1979
B100682	200	990	400/690 Δ/Y	345.0	2691.0	2535	B250294	1135/1335	860	1979
B100683	30	735	400/690 Δ/Y	60.2	401.3	1303	B250291	1135/1335	760	1412
B100684	37	735	400/690 Δ/Y	72.6	488.4	1407	B250291	1135/1335	760	1484
B100685	45	735	400/690 Δ/Y	88.0	589.4	1473	B250291	1135/1335	760	1484
B100686	55	735	400/690 Δ/Y	104.0	693.0	1835	B250291	1135/1335	760	1687
B100687	75	735	400/690 Δ/Y	141.0	943.8	1935	B250291	1135/1335	760	1687
B100688	90	735	400/690 Δ/Y	167.0	1115.4	1990	B250291	1135/1335	760	1687

All indicated values for 400 V/50 Hz/3~.

h*: Casing position: 0°, 90° h**: Casing position: 270°

CREM01-50-0400 Centrifugal fan

Etecat by Pollrich DLK



- Z05** Protective grill suction side
Ord. no. B151078
- Z10** Flexible sleeve round
Ord. no. B141027
- Z13** Inspection hatch
Ord. no. B240509
- Z16** Rubber anti vibration mounts (see below)
- Z18** Flange, round
Ord. no. B101442
- Z19** Flange, square
Ord. no. B101216
- Z45** Counter flange
Ord. no. B101402
- Z63** Transition piece, square to round
Ord. no. B101530
- Z81** Flexible sleeve square
Ord. no. B101289
- Z89** Condensate drain
Ord. no. B240506

Full specifications for accessoires, see page 122

CREM01-50-0400-B

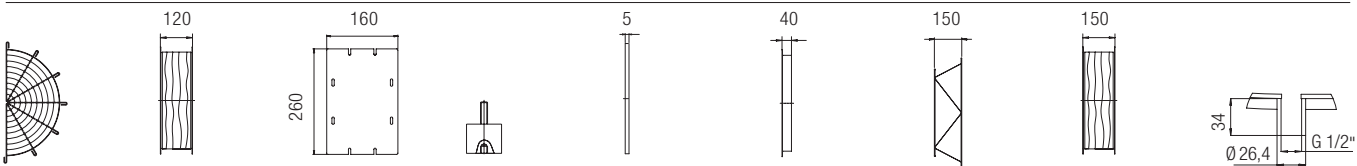
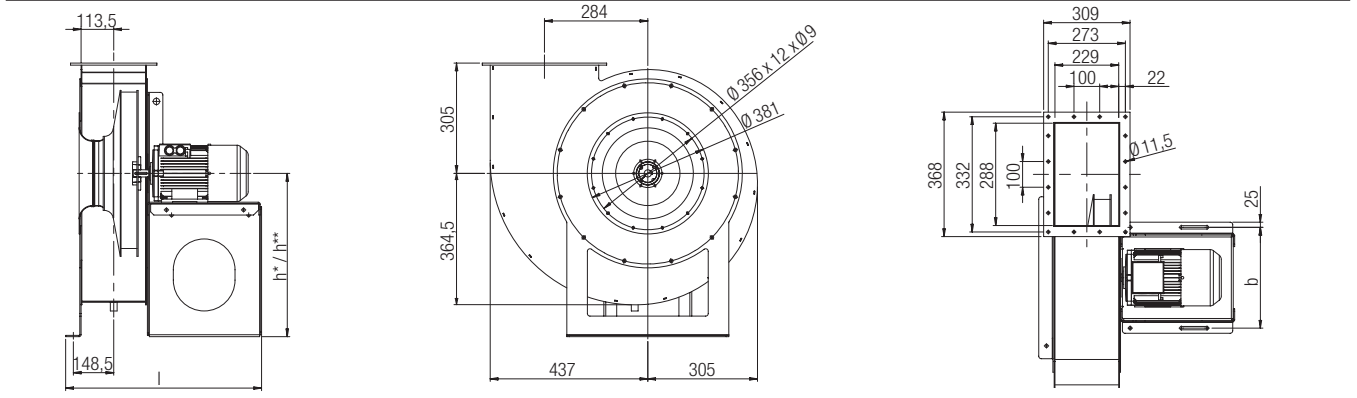
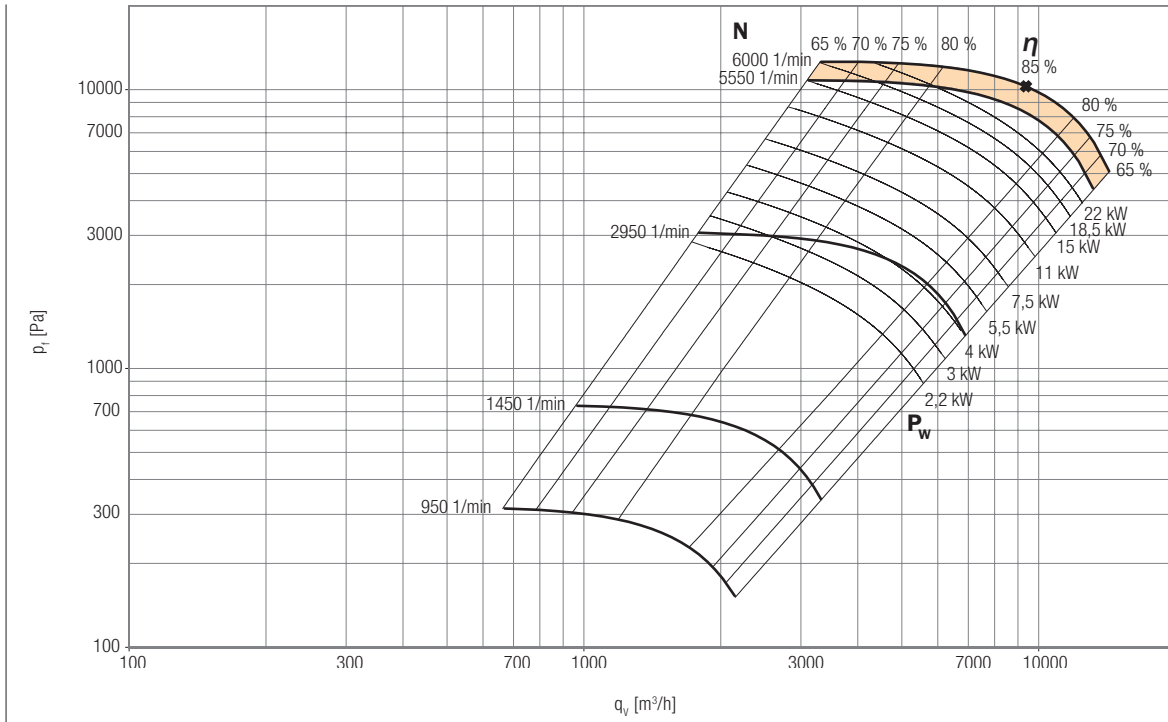
Order no. Fan	Motor power output [kW]	Speed [1/min]	Voltage [V] Connection	Nominal current [A]	Starting current [A]	Weight ca. [kg]	Order no. Z16	h^* / h^{**} [mm]	b [mm]	l [mm]
B100689	3	2891	230/400 Δ/Y	5.9	46.9	91	B149380	450/515	418	731
B100690	4	2914	400/690 Δ/Y	7.6	57.3	94	B149380	450/515	418	731
B100691	5.5	2937	400/690 Δ/Y	10.6	79.5	110	B149380	450/515	418	731
B100692	7.5	2940	400/690 Δ/Y	13.9	104.3	115	B149380	450/515	418	731
B100693	11	2930	400/690 Δ/Y	19.9	151.2	158	B148059	450/515	418	731
B100694	2.2	1440	230/400 Δ/Y	4.6	32.5	93	B149380	450/515	418	731
B100695	3	1440	230/400 Δ/Y	6.2	43.3	99	B149380	450/515	418	731

All indicated values for 400 V/50 Hz/3~.

h^* : Casing position: 0°, 90° h^{**} : Casing position: 270°

CREM01-50-0450 Centrifugal fan

Etatec by Pollrich DLK



- Z05** Protective grill suction side
Ord. no. B151076
- Z10** Flexible sleeve round
Ord. no. B141028
- Z13** Inspection hatch
Ord. no. B240509
- Z16** Rubber anti vibration mounts (see below)
- Z18** Flange, round
Ord. no. B101443
- Z19** Flange, square
Ord. no. B101217
- Z45** Counter flange
Ord. no. B101403
- Z63** Transition piece, square to round
Ord. no. B101531
- Z81** Flexible sleeve square
Ord. no. B101290
- Z89** Condensate drain
Ord. no. B240506

Full specifications for accessoires, see page 122

CREM01-50-0450-B

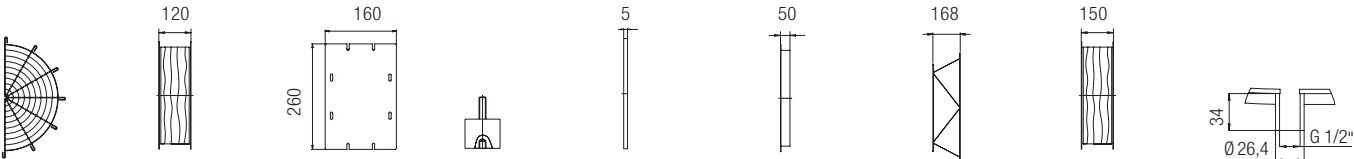
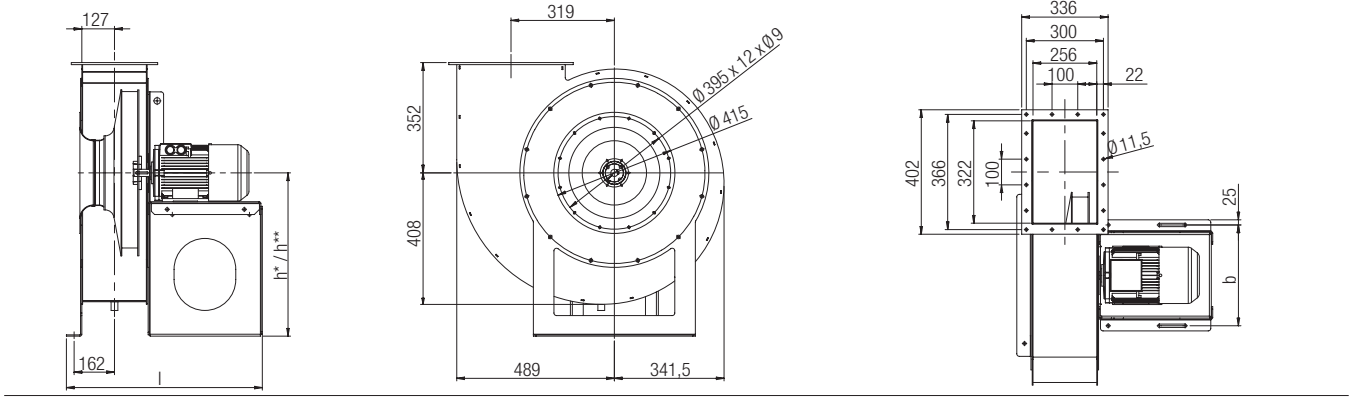
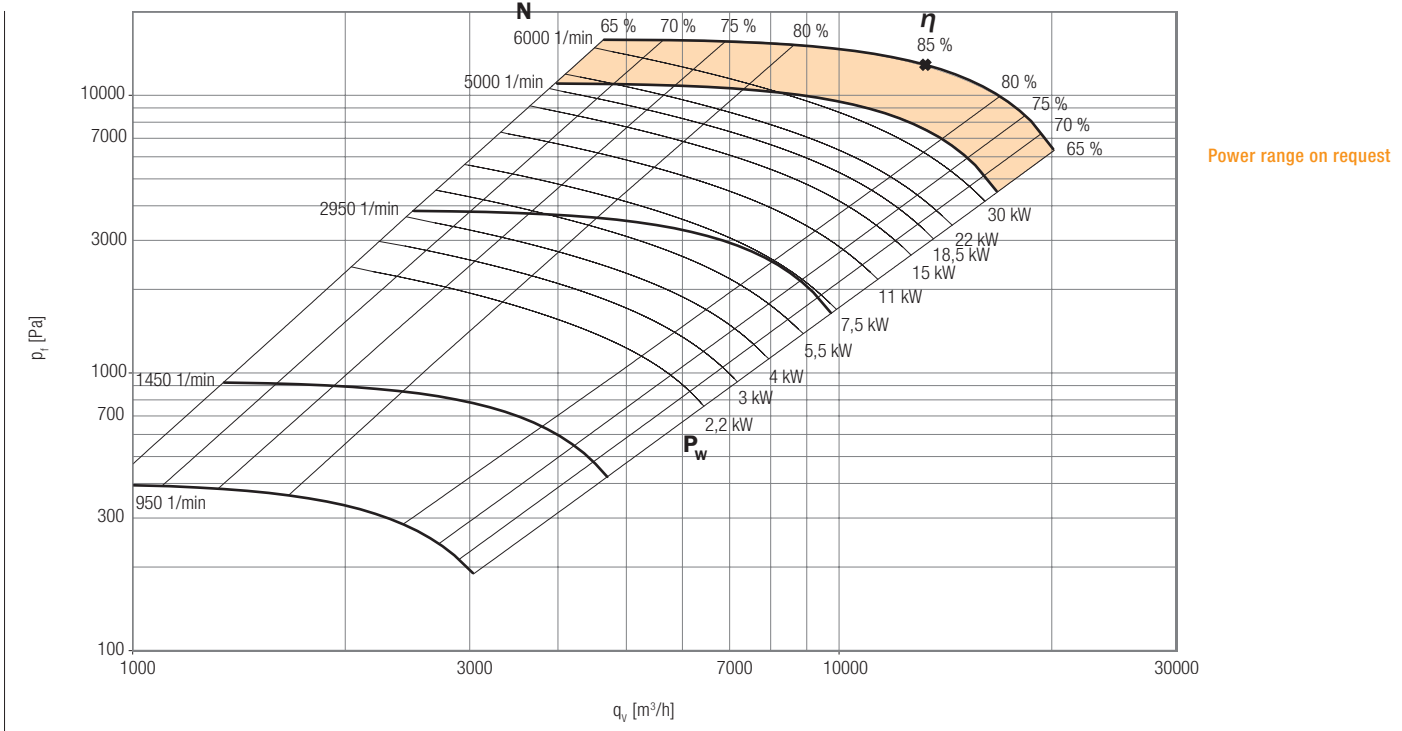
Order no. Fan	Motor power output [kW]	Speed [1/min]	Voltage [V] Connection	Nominal current [A]	Starting current [A]	Weight ca. [kg]	Order no. Z16	h* / h** [mm]	b [mm]	l [mm]
B100696	7.5	2940	400/690 Δ/Y	13.9	104.3	153	B148059	485/560	378	735
B100697	11	2930	400/690 Δ/Y	19.9	151.2	196	B149928	485/560	457	862
B100698	15	2930	400/690 Δ/Y	26.6	204.4	222	B149928	485/560	457	862
B100699	18.5	2937	400/690 Δ/Y	33.0	244.2	252	B149928	485/560	457	862
B100700	22	2940	400/690 Δ/Y	38.1	308.1	287	B149937	485/560	457	862
B100701	2.2	1440	230/400 Δ/Y	4.6	32.5	131	B148059	485/560	378	735
B100702	3	1440	230/400 Δ/Y	6.2	43.3	137	B148059	485/560	378	735
B100703	4	1445	400/690 Δ/Y	8.1	60.9	142	B148059	485/560	378	735
B100704	5.5	1455	400/690 Δ/Y	10.9	69.8	153	B148059	485/560	378	735

All indicated values for 400 V/50 Hz/3~.

h*: Casing position: 0°, 90° h**: Casing position: 270°

CREM01-50-0500 Centrifugal fan

Etatec by Pollrich DLK



- Z05** Protective grill suction side
Ord. no. B151074
- Z10** Flexible sleeve round
Ord. no. B141029
- Z13** Inspection hatch
Ord. no. B240509
- Z16** Rubber anti vibration mounts (see below)
- Z18** Flange, round
Ord. no. B101444
- Z19** Flange, square
Ord. no. B101218
- Z45** Counter flange
Ord. no. B101404
- Z63** Transition piece, square to round
Ord. no. B101532
- Z81** Flexible sleeve square
Ord. no. B101291
- Z89** Condensate drain
Ord. no. B240506

Full specifications for accessoires, see page 122

CREM01-50-0500-B

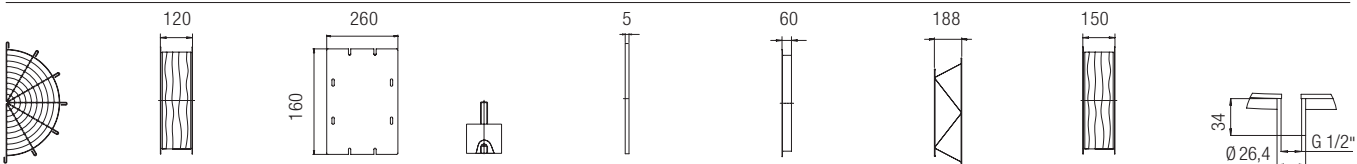
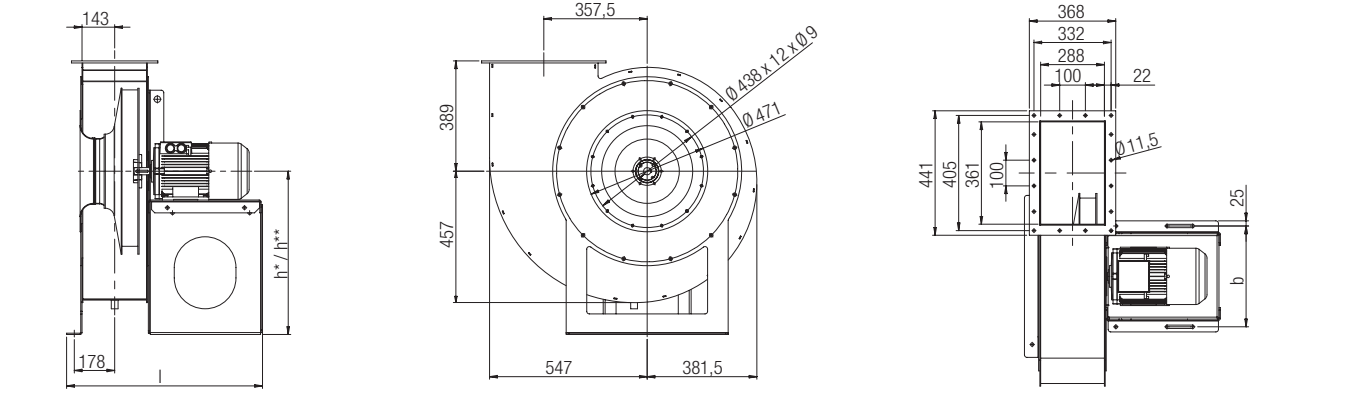
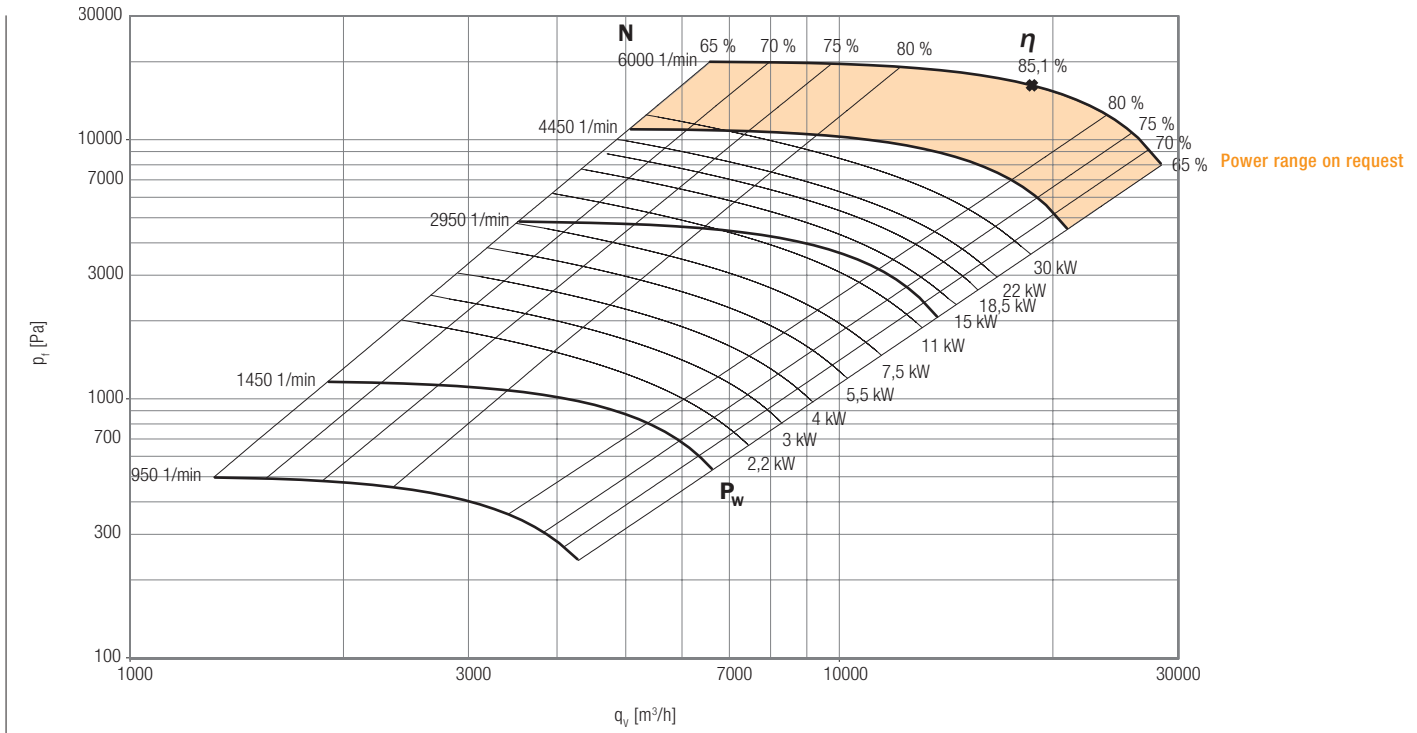
Order no. Fan	Motor power output [kW]	Speed [1/min]	Voltage [V] Connection	Nominal current [A]	Starting current [A]	Weight ca. [kg]	Order no. Z16	h* / h** [mm]	b [mm]	l [mm]
B100705	11	2930	400/690 Δ/Y	19.9	151.2	211	B149928	530/610	496	932
B100706	15	2930	400/690 Δ/Y	26.6	204.4	237	B149928	530/610	496	932
B100707	18.5	2937	400/690 Δ/Y	33.0	244.2	267	B149928	530/610	496	932
B100708	22	2940	400/690 Δ/Y	38.1	308.1	302	B149937	530/610	496	932
B100709	30	2950	400/690 Δ/Y	53.4	416.5	356	B149937	530/610	496	932
B100710	2.2	1440	230/400 Δ/Y	4.6	32.5	146	B148059	530/610	392	767
B100711	3	1440	230/400 Δ/Y	6.2	43.3	152	B148059	530/610	392	767
B100712	4	1445	400/690 Δ/Y	8.1	60.9	157	B148059	530/610	392	767
B100713	5.5	1455	400/690 Δ/Y	10.9	69.8	168	B148059	530/610	392	767
B100714	7.5	1455	400/690 Δ/Y	14.5	69.8	179	B148059	530/610	392	767
B100715	11	1460	400/690 Δ/Y	22.1	144.9	253	B149928	530/610	496	932

All indicated values for 400 V/50 Hz/3~.

h*: Casing position: 0°, 90° h**: Casing position: 270°

CREM01-50-0560 Centrifugal fan

Etatec by Pollrich DLK



- Z05** Protective grill suction side
Ord. no. B151061
- Z10** Flexible sleeve round
Ord. no. B141030
- Z13** Inspection hatch
Ord. no. B240512
- Z16** Rubber anti vibration mounts (see below)
- Z18** Flange, round
Ord. no. B101445
- Z19** Flange, square
Ord. no. B101219
- Z45** Counter flange
Ord. no. B101405
- Z63** Transition piece, square to round
Ord. no. B101533
- Z81** Flexible sleeve square
Ord. no. B101292
- Z89** Condensate drain
Ord. no. B240506

Full specifications for accessoires, see page 122

CREM01-50-0560-B

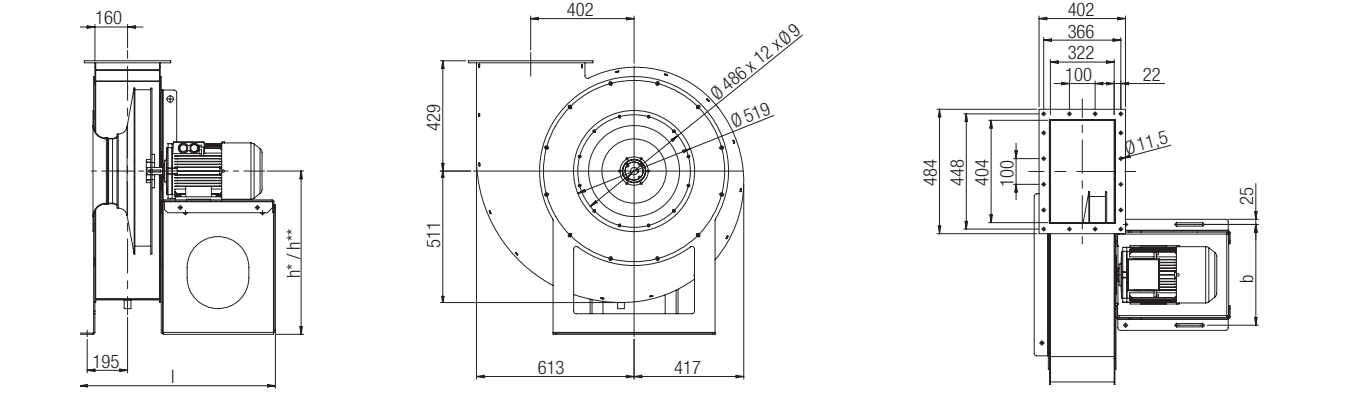
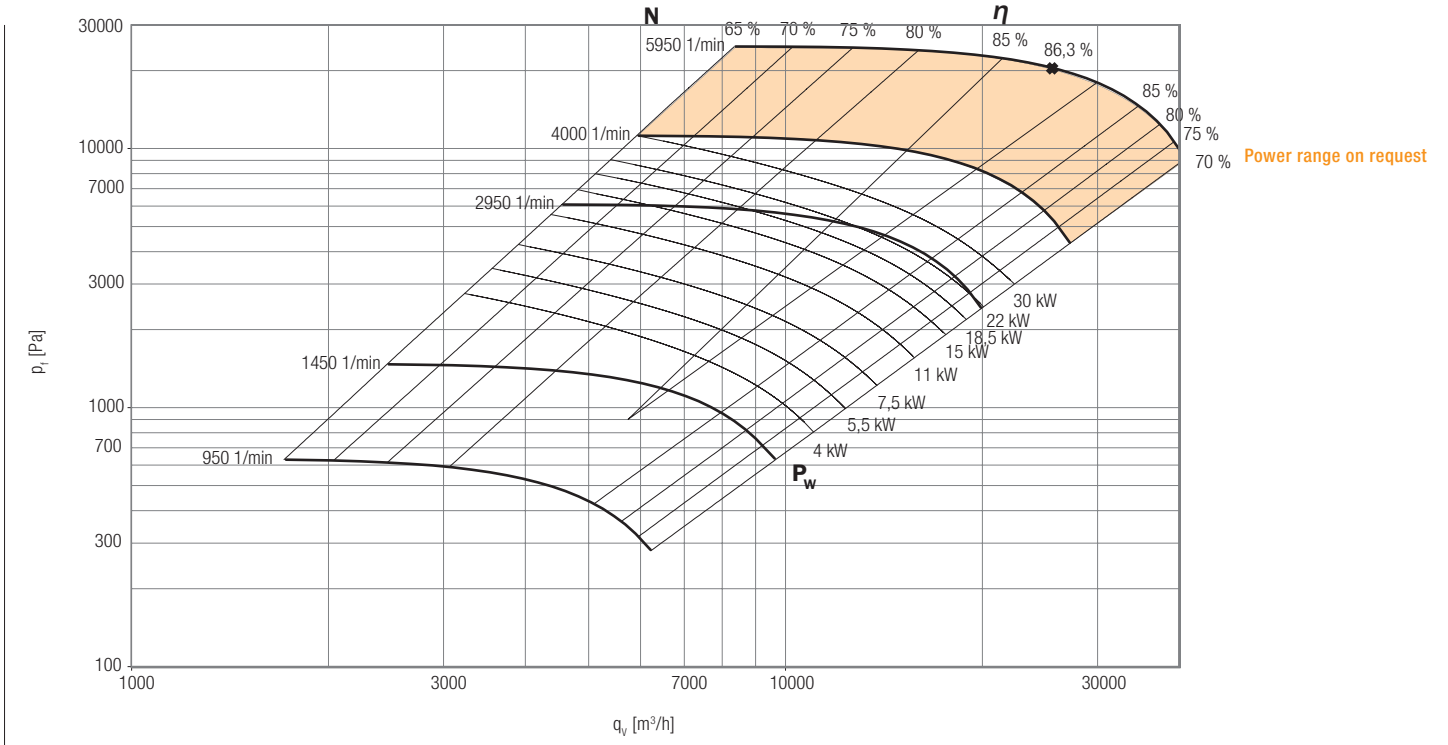
Order no. Fan	Motor power output [kW]	Speed [1/min]	Voltage [V] Connection	Nominal current [A]	Starting current [A]	Weight ca. [kg]	Order no. Z16	h* / h** [mm]	b [mm]	l [mm]
B100716	18.5	2937	400/690 Δ/Y	33.0	244.2	282	B149937	580/670	509	964
B100717	22	2940	400/690 Δ/Y	38.1	308.1	317	B149937	580/670	509	964
B100718	30	2950	400/690 Δ/Y	53.4	416.5	371	B149937	580/670	509	964
B100719	2.2	1440	230/400 Δ/Y	4.6	32.5	161	B148059	580/670	392	794
B100720	3	1440	230/400 Δ/Y	6.2	43.3	167	B148059	580/670	392	794
B100721	4	1445	400/690 Δ/Y	8.1	60.9	172	B148059	580/670	392	794
B100722	5.5	1455	400/690 Δ/Y	10.9	69.8	183	B149928	580/670	392	794
B100723	7.5	1455	400/690 Δ/Y	14.5	69.8	194	B149928	580/670	392	794
B100724	11	1460	400/690 Δ/Y	22.1	144.9	268	B149928	580/670	509	964
B100725	15	1460	400/690 Δ/Y	29.6	210.8	244	B149928	580/670	509	964
B100726	18.5	1470	400/690 Δ/Y	32.7	265.2	300	B149937	580/670	509	964

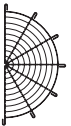
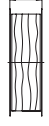
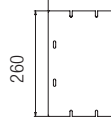





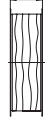

All indicated values for 400 V/50 Hz/3~.

h*: Casing position: 0°, 90° h**: Casing position: 270°

CREM01-50-0630 Centrifugal fan

Eatec by Pollrich DLK



- 
Z05 Protective grill suction side
 Ord. no. B151081
 - 
Z10 Flexible sleeve round
 Ord. no. B141031
 - 
Z13 Inspection hatch
 Ord. no. B240512
 - 
Z16 Rubber anti vibration mounts (see below)
 - 
Z18 Flange, round
 Ord. no. B101446
 - 
Z19 Flange, square
 Ord. no. B101220
 - 
Z45 Counter flange
 Ord. no. B101406
 - 
Z63 Transition piece, square to round
 Ord. no. B101534
 - 
Z81 Flexible sleeve square
 Ord. no. B101293
 - 
Z89 Condensate drain
 Ord. no. B240506
- Full specifications for accessories, see page 122

CREM01-50-0630-B

Order no. Fan	Motor power output [kW]	Speed [1/min]	Voltage [V] Connection	Nominal current [A]	Starting current [A]	Weight ca. [kg]	Order no. Z16	h* / h** [mm]	b [mm]	l [mm]
B100727	30	2950	400/690 Δ/Y	53.4	416.5	406	B149937	635/735	508	976
B100728	4	1445	400/690 Δ/Y	8.1	60.9	207	B149928	635/735	475	943
B100729	5.5	1455	400/690 Δ/Y	10.9	69.8	218	B149928	635/735	475	943
B100730	7.5	1455	400/690 Δ/Y	14.5	69.8	229	B149928	635/735	475	943
B100731	11	1460	400/690 Δ/Y	22.1	152.5	303	B149937	635/735	475	943
B100732	15	1460	400/690 Δ/Y	29.6	222.0	279	B149937	635/735	475	943
B100733	18.5	1470	400/690 Δ/Y	32.7	265.2	335	B149937	635/735	475	943
B100734	22	1470	400/690 Δ/Y	38.4	301.5	349	B149937	635/735	475	943

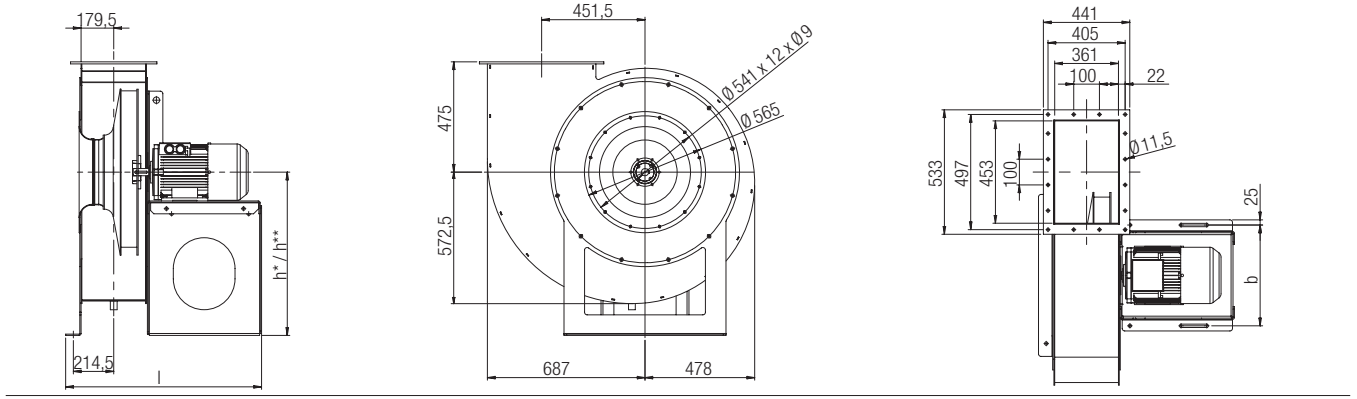
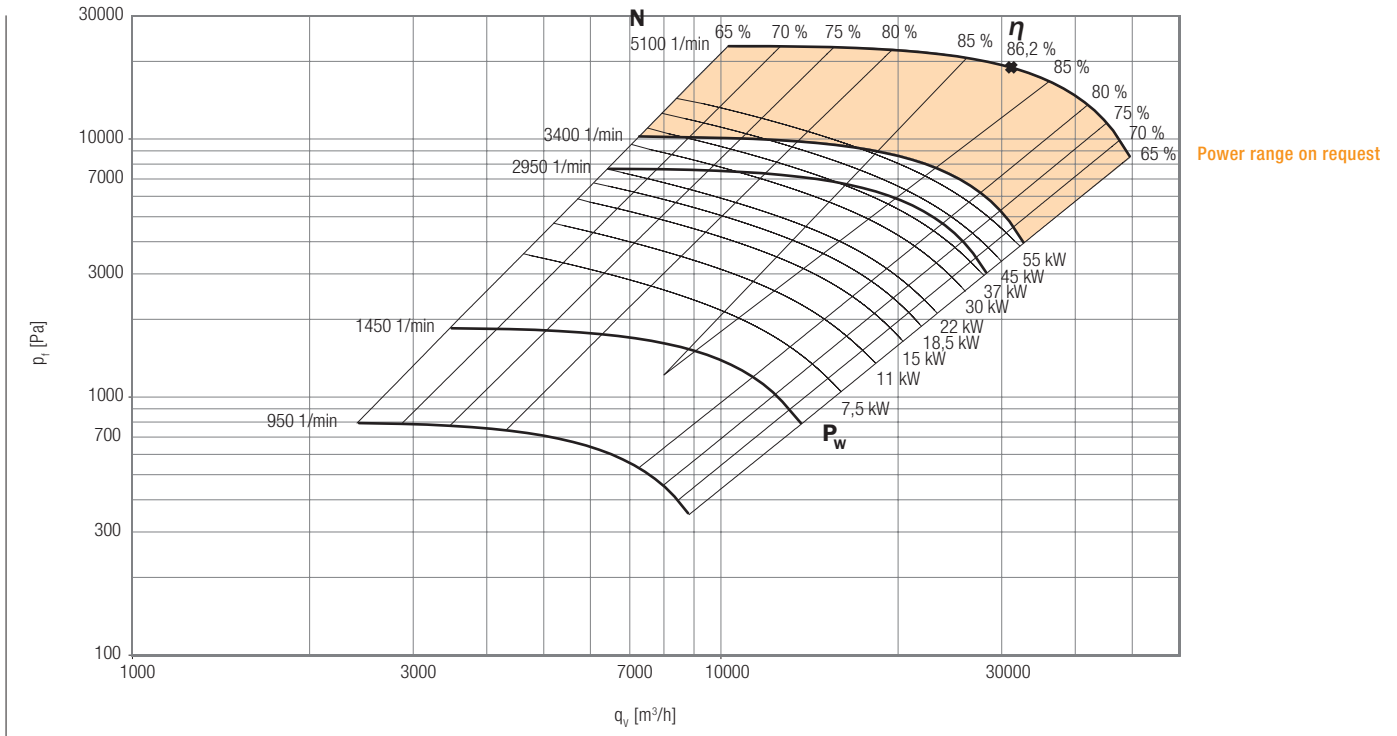
All indicated values for 400 V/50 Hz/3~.


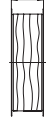
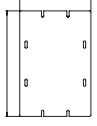






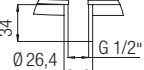
h*: Casing position: 0°, 90°

h**: Casing position: 270°

CREM01-50-0710 Centrifugal fan

Etatec by Pollrich DLK



- 
Z05 Protective grill suction side
 Ord. no. B151068
 - 
Z10 Flexible sleeve round
 Ord. no. B141032
 - 
Z13 Inspection hatch
 Ord. no. B240512
 - 
Z16 Rubber anti vibration mounts
 (see below)
 - 
Z18 Flange, round
 Ord. no. B101447
 - 
Z19 Flange, square
 Ord. no. B101221
 - 
Z45 Counter flange
 Ord. no. B101407
 - 
Z63 Transition piece, square to round
 Ord. no. B101535
 - 
Z81 Flexible sleeve square
 Ord. no. B101294
 - 
Z89 Condensate drain
 Ord. no. B240506
- Full specifications for accessoires, see page 122

CREM01-50-0710-B

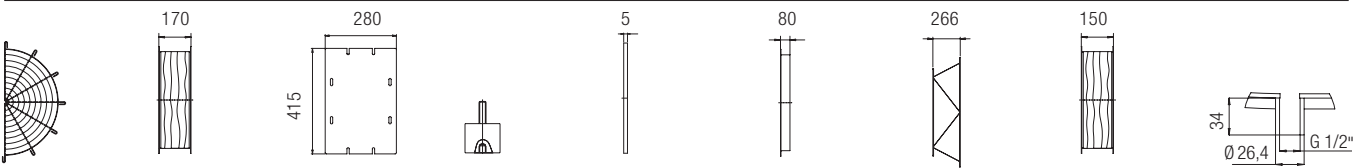
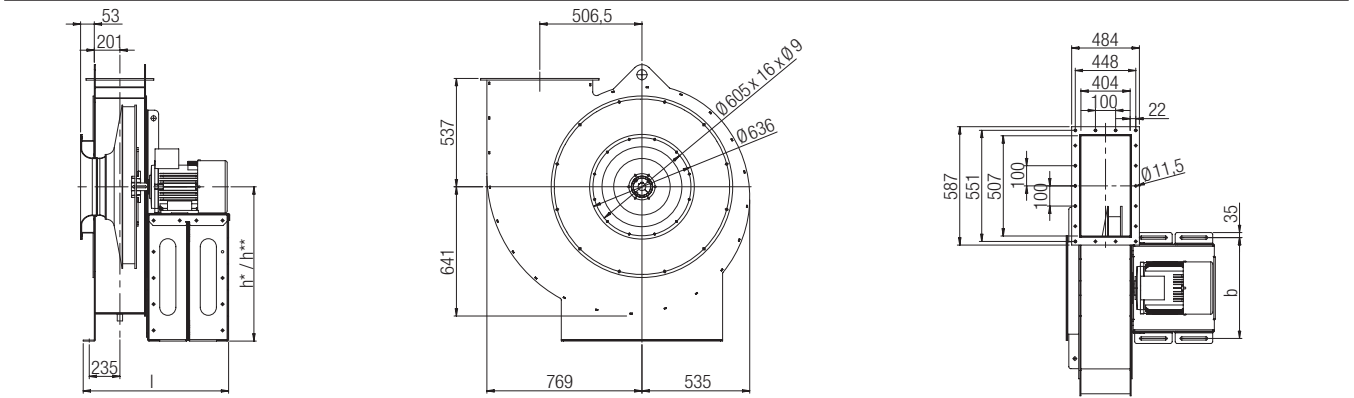
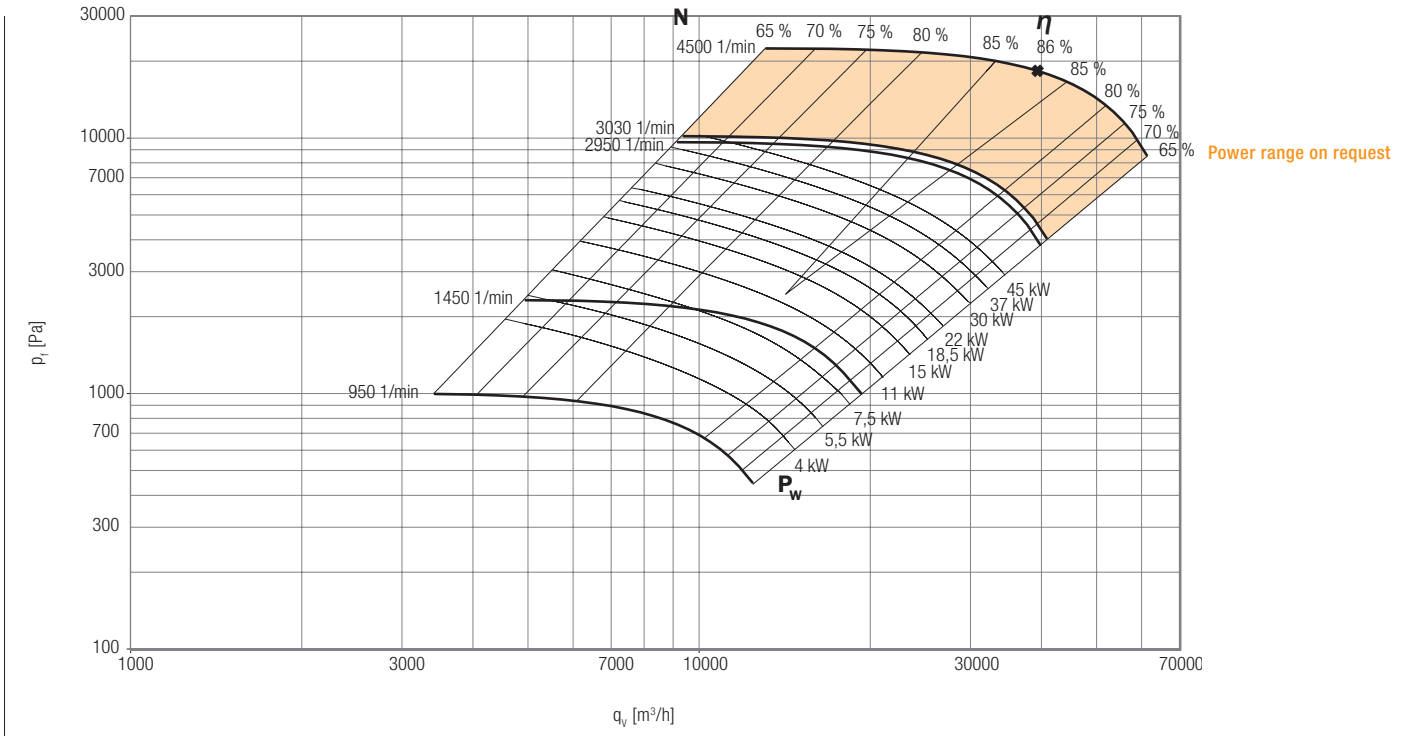
Order no. Fan	Motor power output [kW]	Speed [1/min]	Voltage [V] Connection	Nominal current [A]	Starting current [A]	Weight ca. [kg]	Order no. Z16	h* / h** [mm]	b [mm]	l [mm]
B100735	55	2965	400/690 Δ/Y	93.6	101.6	602	B149948	695/810	620	1127
B100736	7.5	1455	400/690 Δ/Y	14.5	17.3	284	B149937	695/810	475	982
B100737	11	1460	400/690 Δ/Y	22.1	27.9	358	B149937	695/810	475	982
B100738	15	1460	400/690 Δ/Y	29.6	37.1	334	B149937	695/810	475	982
B100739	18.5	1470	400/690 Δ/Y	32.7	41.8	390	B149937	695/810	475	982
B100740	22	1470	400/690 Δ/Y	38.4	47.7	404	B149937	695/810	475	982
B100741	30	1470	400/690 Δ/Y	54.4	61.5	490	B149948	695/810	620	1127
B100742	37	1480	400/690 Δ/Y	66.2	73.7	530	B149948	695/810	620	1127
B100743	45	1480	400/690 Δ/Y	80.1	87.7	560	B149948	695/810	620	1127

All indicated values for 400 V/50 Hz/3~.

h*: Casing position: 0°, 90° h**: Casing position: 270°

CREM01-50-0800 Centrifugal fan

Eatec by Pollrich DLK



- Z05** Protective grill suction side
Ord. no. B151066
- Z10** Flexible sleeve round
Ord. no. B141033
- Z13** Inspection hatch
Ord. no. B240512
- Z16** Rubber anti vibration mounts (see below)
- Z18** Flange, round
Ord. no. B101448
- Z19** Flange, square
Ord. no. B101222
- Z45** Counter flange
Ord. no. B101408
- Z63** Transition piece, square to round
Ord. no. B101536
- Z81** Flexible sleeve square
Ord. no. B101295
- Z89** Condensate drain
Ord. no. B240506

Full specifications for accessories, see page 122

CREM01-50-0800-B

Order no. Fan	Motor power output [kW]	Speed [1/min]	Voltage [V] Connection	Nominal current [A]	Starting current [A]	Weight ca. [kg]	Order no. Z16	h^* / h^{**} [mm]	b [mm]	l [mm]
B100744	15	1460	400/690 Δ/Y	29.6	210.8	404	B149937	760/880	500	1021
B100745	18.5	1470	400/690 Δ/Y	32.7	265.2	460	B149948	760/880	500	1057
B100746	22	1470	400/690 Δ/Y	38.4	301.5	474	B149948	760/880	500	1057
B100747	30	1470	400/690 Δ/Y	54.4	386.2	560	B149948	760/880	570	1148
B100748	37	1480	400/690 Δ/Y	66.2	496.5	600	B149948	760/880	570	1188
B100749	45	1480	400/690 Δ/Y	80.1	608.8	630	B149948	760/880	570	1188
B100750	4	965	400/690 Δ/Y	9.0	44.8	343	B149937	760/880	500	869
B100751	5.5	965	400/690 Δ/Y	12.0	66.0	354	B149937	760/880	500	869
B100752	7.5	970	400/690 Δ/Y	15.9	103.4	390	B149937	760/880	500	1021
B100753	11	970	400/690 Δ/Y	22.1	171.8	439	B149937	760/880	500	1021
B100754	15	975	400/690 Δ/Y	29.8	190.7	488	B149948	760/880	500	1057

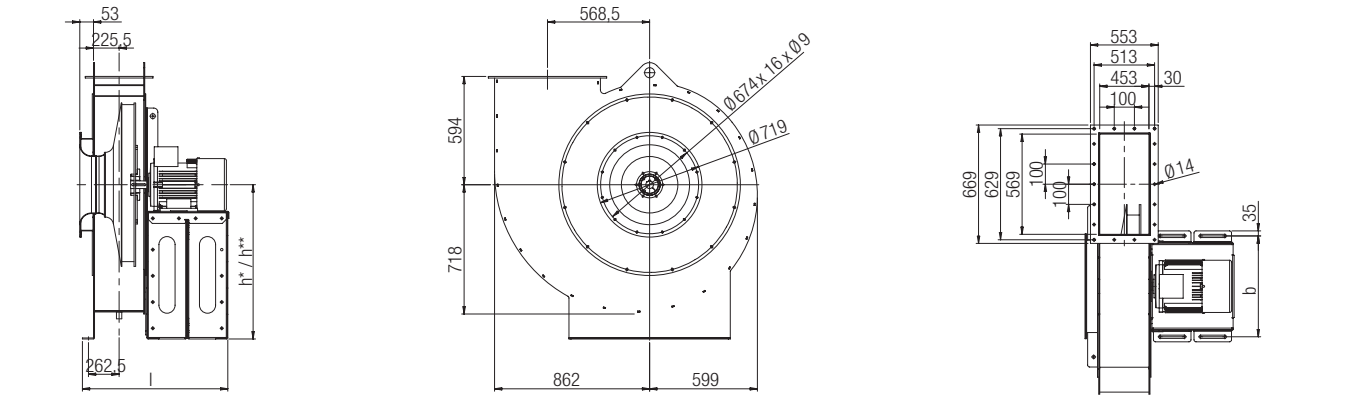
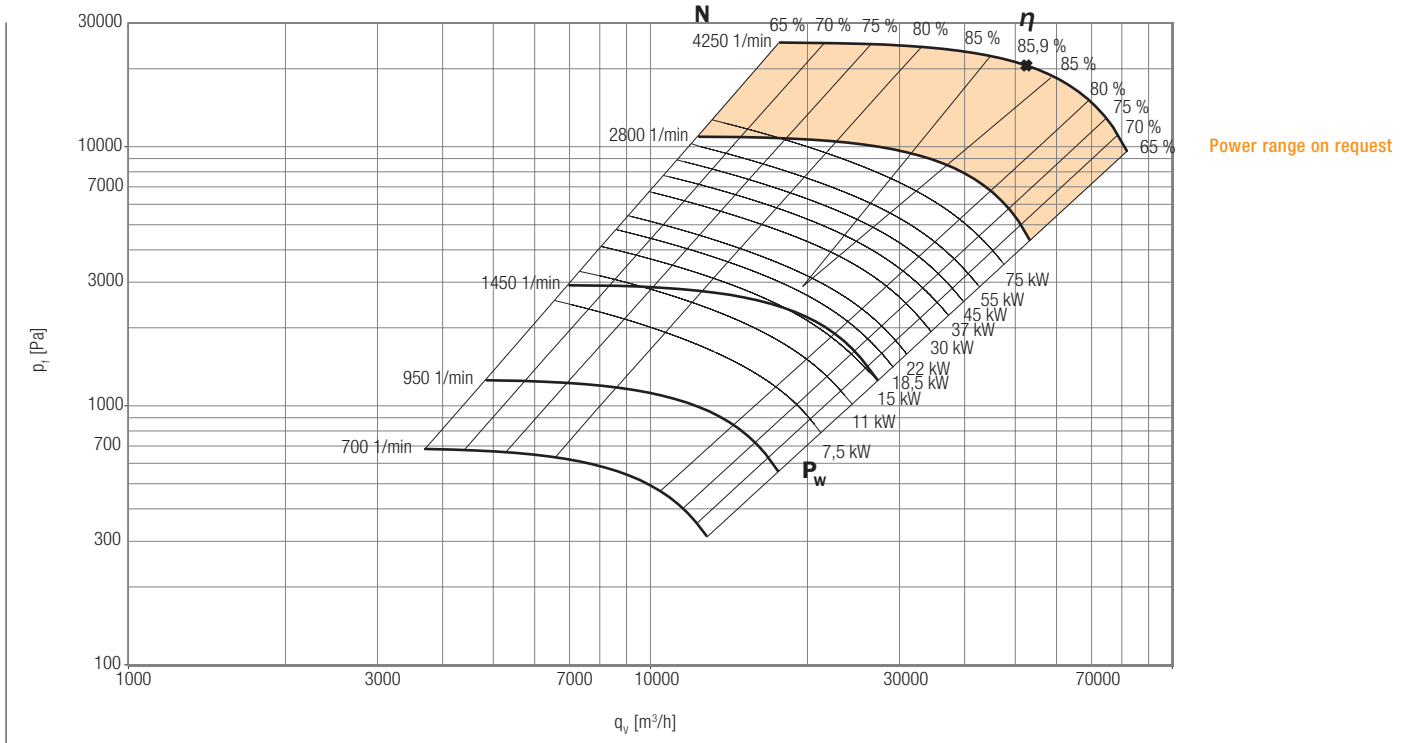
All indicated values for 400 V/50 Hz/3~.

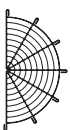
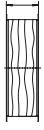
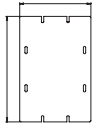





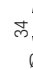
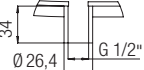
h^* : Casing position: 0°, 90°

h^{**} : Casing position: 270°

CREM01-50-0900 Centrifugal fan

Etatec by Pollrich DLK



- 
Z05 Protective grill suction side
 Ord. no. B151088
 - 
Z10 Flexible sleeve round
 Ord. no. B141035
 - 
Z13 Inspection hatch
 Ord. no. B240512
 - 
Z16 Rubber anti vibration mounts (see below)
 - 
Z18 Flange, round
 Ord. no. B101449
 - 
Z19 Flange, square
 Ord. no. B101223
 - 
Z45 Counter flange
 Ord. no. B101409
 - 
Z63 Transition piece, square to round
 Ord. no. B101537
 - 
Z81 Flexible sleeve square
 Ord. no. B101296
 - 
Z89 Condensate drain
 Ord. no. B240506
- Full specifications for accessoires, see page 122

CREM01-50-0900-B

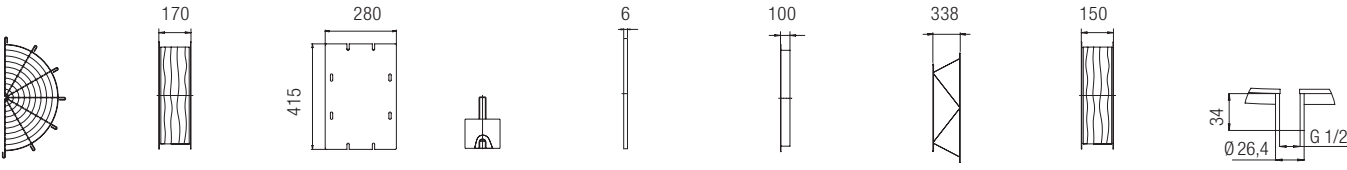
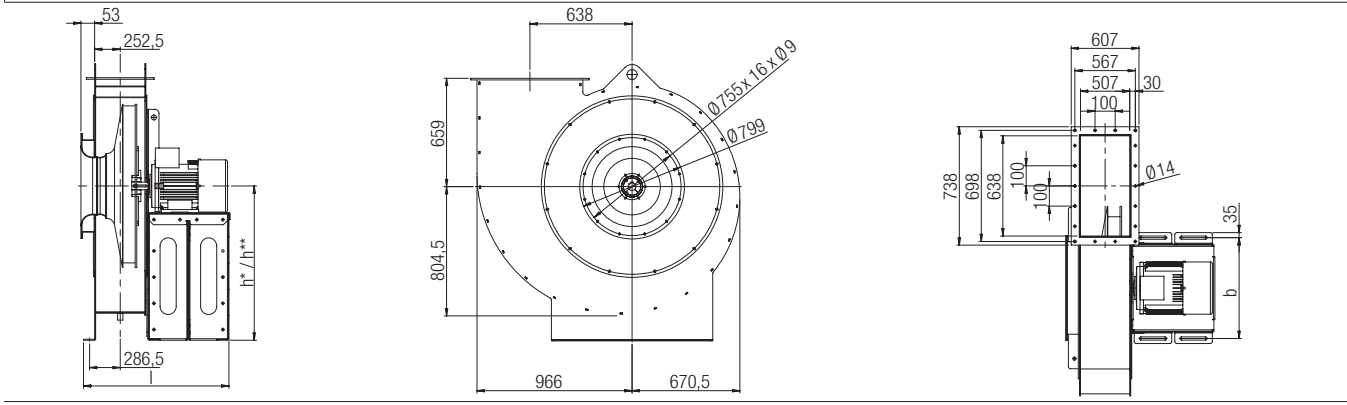
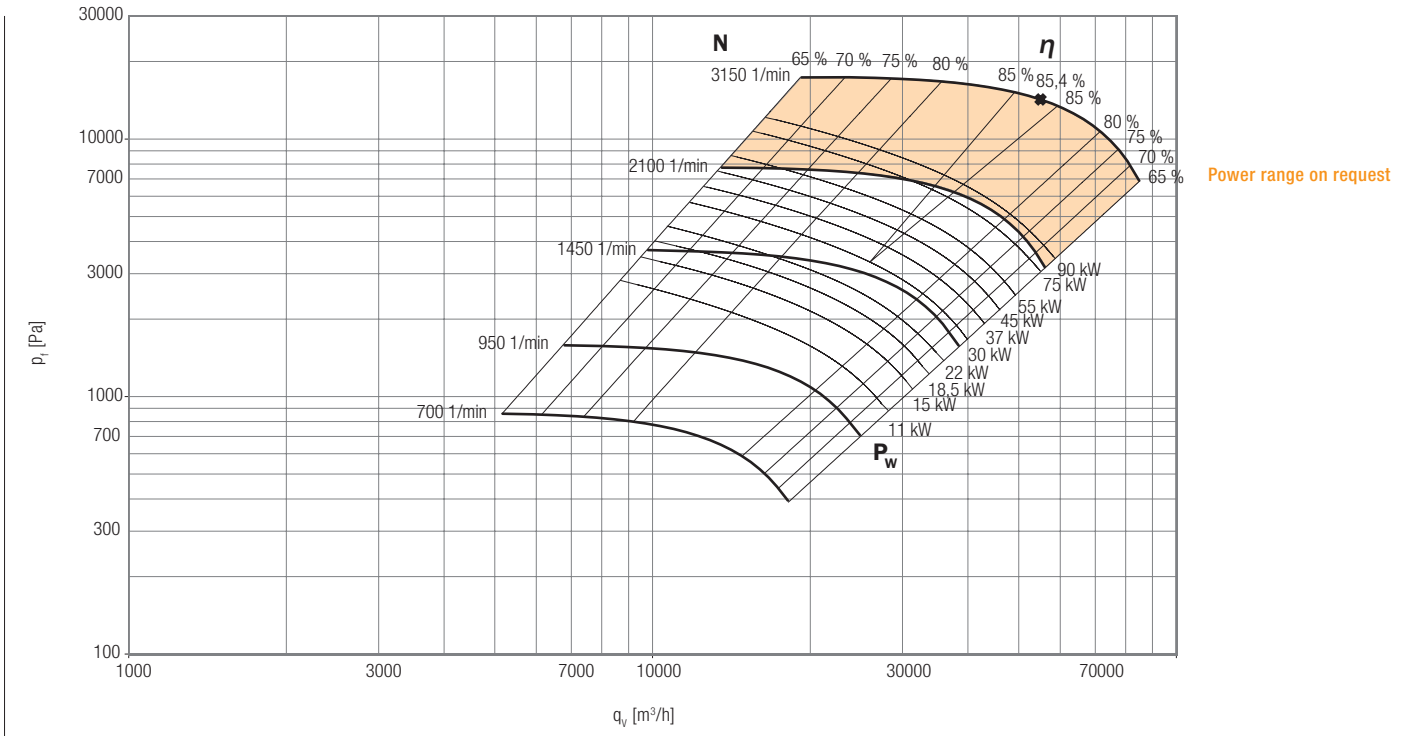
Order no. Fan	Motor power output [kW]	Speed [1/min]	Voltage [V] Connection	Nominal current [A]	Starting current [A]	Weight ca. [kg]	Order no. Z16	h* / h** [mm]	b [mm]	l [mm]
B100755	22	1470	400/690 Δ/Y	38.4	301.5	594	B149948	830/980	513	1102
B100756	30	1470	400/690 Δ/Y	54.4	386.2	680	B149948	830/980	513	1193
B100757	37	1480	400/690 Δ/Y	66.2	496.5	720	B149948	839/980	653.4	1230
B100758	45	1480	400/690 Δ/Y	80.1	608.8	750	B149948	839/980	653.4	1230
B100759	55	1480	400/690 Δ/Y	96.7	711.8	805	B149948	839/980	653.4	1291
B100760	75	1480	400/690 Δ/Y	131.0	1003.2	925	B250291	839/980	653.4	1363
B100761	7.5	970	400/690 Δ/Y	15.9	103.4	510	B149948	839/980	513	1066
B100762	11	970	400/690 Δ/Y	22.1	171.8	559	B149948	839/980	513	1066
B100763	15	975	400/690 Δ/Y	29.8	190.7	608	B149948	839/980	513	1102
B100764	18.5	980	400/690 Δ/Y	35.7	254.8	610	B149948	839/980	513	1193
B100765	22	980	400/690 Δ/Y	41.6	294.0	638	B149948	839/980	513	1193

All indicated values for 400 V/50 Hz/3~.

h*: Casing position: 0°, 90° h**: Casing position: 270°

CREM01-50-1000 Centrifugal fan

Eatec by Pollrich DLK



- Z05** Protective grill suction side
Ord. no. B151072
 - Z10** Flexible sleeve round
Ord. no. B141036
 - Z13** Inspection hatch
Ord. no. B240512
 - Z16** Rubber anti vibration mounts
(see below)
 - Z18** Flange, round
Ord. no. B101450
 - Z19** Flange, square
Ord. no. B101250
 - Z45** Counter flange
Ord. no. B101410
 - Z63** Transition piece, square to round
Ord. no. B101538
 - Z81** Flexible sleeve square
Ord. no. B101322
 - Z89** Condensate drain
Ord. no. B240506
- Full specifications for accessoires, see page 122

CREM01-50-1000-B

Order no. Fan	Motor power output [kW]	Speed [1/min]	Voltage [V] Connection	Nominal current [A]	Starting current [A]	Weight ca. [kg]	Order no. Z16	h* / h** [mm]	b [mm]	l [mm]
B100766	37	1480	400/690 Δ/Y	66.2	496.5	840	B149948	921/1081	714.4	1287
B100767	45	1480	400/690 Δ/Y	80.1	608.8	870	B149948	921/1081	714.4	1287
B100768	55	1480	400/690 Δ/Y	96.7	711.8	925	B250291	921/1081	714.4	1348
B100769	75	1480	400/690 Δ/Y	131.0	1003.2	1045	B250291	921/1081	714.4	1420
B100770	90	1480	400/690 Δ/Y	157.0	1185.0	1141	B250291	921/1081	714.4	1420
B100771	15	975	400/690 Δ/Y	29.8	190.7	728	B149948	921/1081	520	1156
B100772	18.5	980	400/690 Δ/Y	35.7	254.8	730	B149948	921/1081	520	1247
B100773	22	980	400/690 Δ/Y	41.6	294.0	758	B149948	921/1081	520	1247
B100774	30	980	400/690 Δ/Y	56.2	365.3	826	B149948	921/1081	714.4	1287
B100775	37	980	400/690 Δ/Y	66.9	464.4	910	B149948	921/1081	714.4	1420
B100776	11	730	400/690 Δ/Y	23.4	142.8	690	B149948	921/1081	520	1156

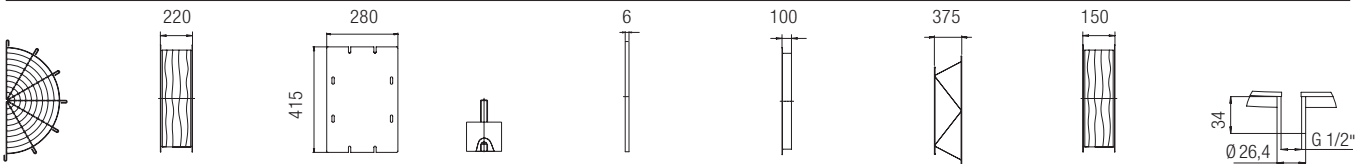
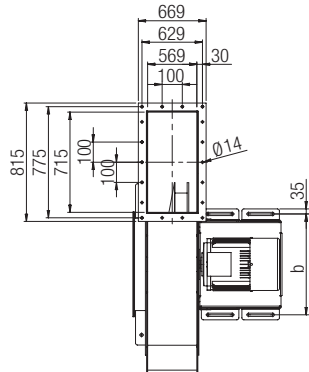
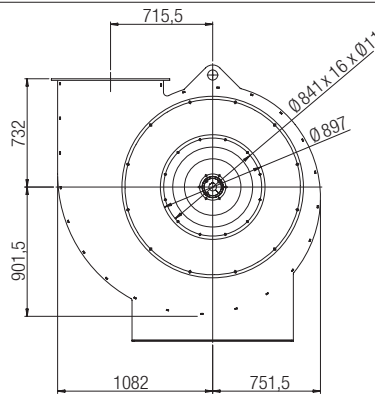
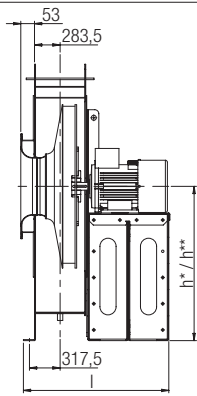
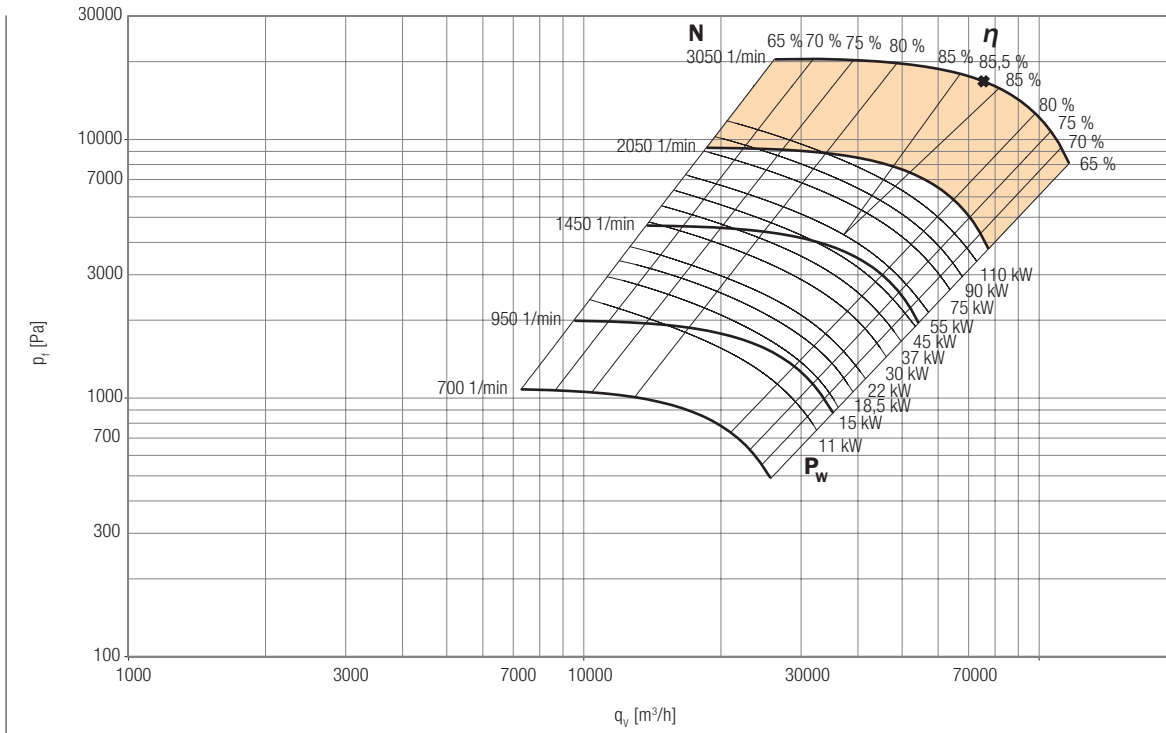
All indicated values for 400 V/50 Hz/3~.

h*: Casing position: 0°, 90°

h**: Casing position: 270°

CREM01-50-1120 Centrifugal fan

Etatec by Pollrich DLK



Z05 Protective grill suction side
Ord. no. B151092

Z10 Flexible sleeve round
Ord. no. B141037

Z13 Inspection hatch
Ord. no. B240512

Z16 Rubber anti vibration mounts (see below)

Z18 Flange, round
Ord. no. B101451
Z19 Flange, square
Ord. no. B101251

Z45 Counter flange
Ord. no. B101411

Z63 Transition piece, square to round
Ord. no. B101539

Z81 Flexible sleeve square
Ord. no. B101323

Z89 Condensate drain
Ord. no. B240506

Full specifications for accessoires, see page 122

CREM01-50-1120-B

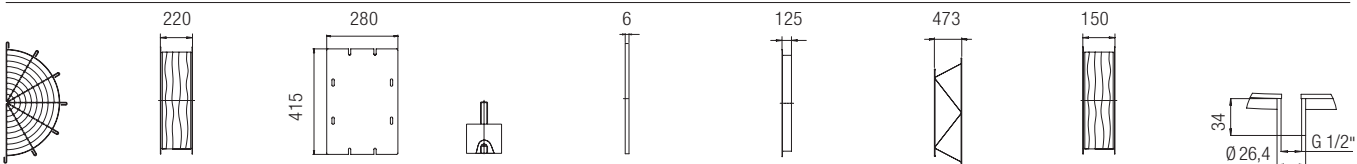
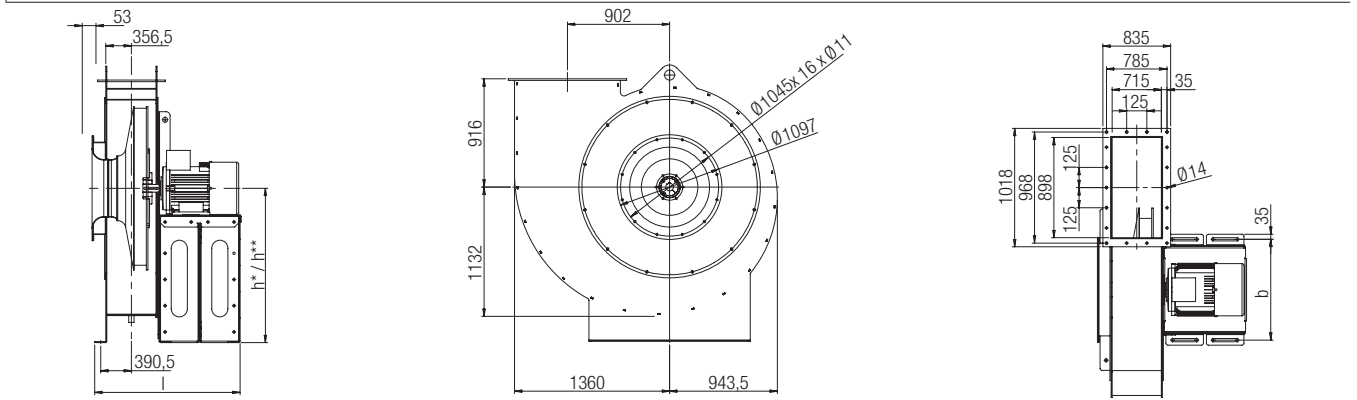
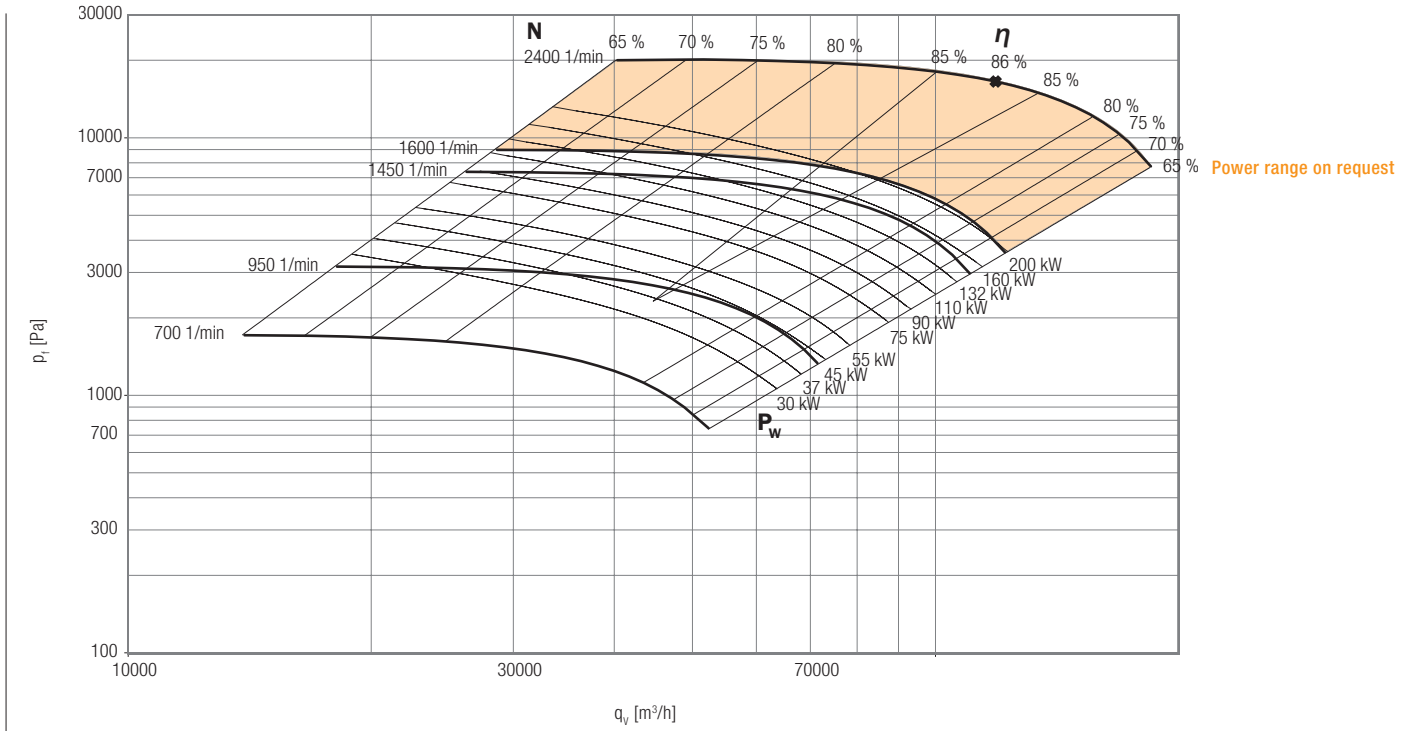
Order no. Fan	Motor power output [kW]	Speed [1/min]	Voltage [V] Connection	Nominal current [A]	Starting current [A]	Weight ca. [kg]	Order no. Z16	h* / h** [mm]	b [mm]	l [mm]
B100777	75	1480	400/690 Δ/Y	131.0	1003.2	1135	B250291	1021/1191	786.6	1499
B100778	90	1480	400/690 Δ/Y	157.0	1185.0	1231	B250291	1021/1191	786.6	1499
B100779	110	1485	400/690 Δ/Y	191.0	1356.1	1570	B250291	1021/1191	786.6	1702
B100780	18.5	980	400/690 Δ/Y	35.7	254.8	820	B149948	1021/1191	560	1326
B100781	22	980	400/690 Δ/Y	41.6	294.0	848	B149948	1021/1191	560	1326
B100782	30	980	400/690 Δ/Y	56.2	365.3	916	B149948	1021/1191	560	1366
B100783	37	980	400/690 Δ/Y	66.9	464.4	1000	B250291	1021/1191	786.6	1427
B100784	45	980	400/690 Δ/Y	80.4	570.5	1110	B250291	1021/1191	786.6	1499
B100785	55	980	400/690 Δ/Y	96.6	704.3	1165	B250291	1021/1191	786.6	1499
B100786	75	985	400/690 Δ/Y	132.1	978.2	1535	B250291	1021/1191	786.6	1702
B100787	11	730	400/690 Δ/Y	23.4	142.8	780	B149948	1021/1191	560	1235
B100788	15	730	400/690 Δ/Y	32.1	213.8	848	B149948	1021/1191	560	1326

All indicated values for 400 V/50 Hz/3~.

h*: Casing position: 0°, 90° h**: Casing position: 270°

CREM01-50-1400 Centrifugal fan

Etatec by Pollrich DLK



- Z05** Protective grill suction side
Ord. no. B151090
- Z10** Flexible sleeve round
Ord. no. B141054
- Z13** Inspection hatch
Ord. no. B240512
- Z16** Rubber anti vibration mounts (see below)
- Z18** Flange, round
Ord. no. B101453
- Z19** Flange, square
Ord. no. B101253
- Z45** Counter flange
Ord. no. B101413
- Z63** Transition piece, square to round
Ord. no. B101541
- Z81** Flexible sleeve square
Ord. no. B101325
- Z89** Condensate drain
Ord. no. B240506

Full specifications for accessoires, see page 122

CREM01-50-1400-B

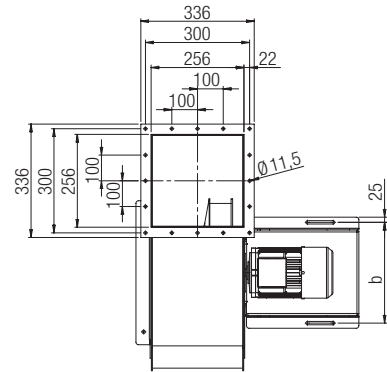
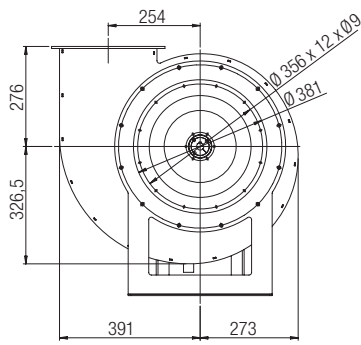
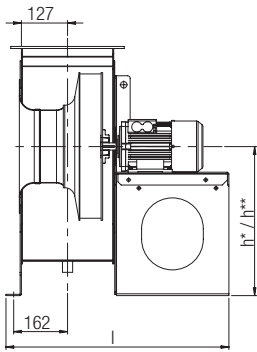
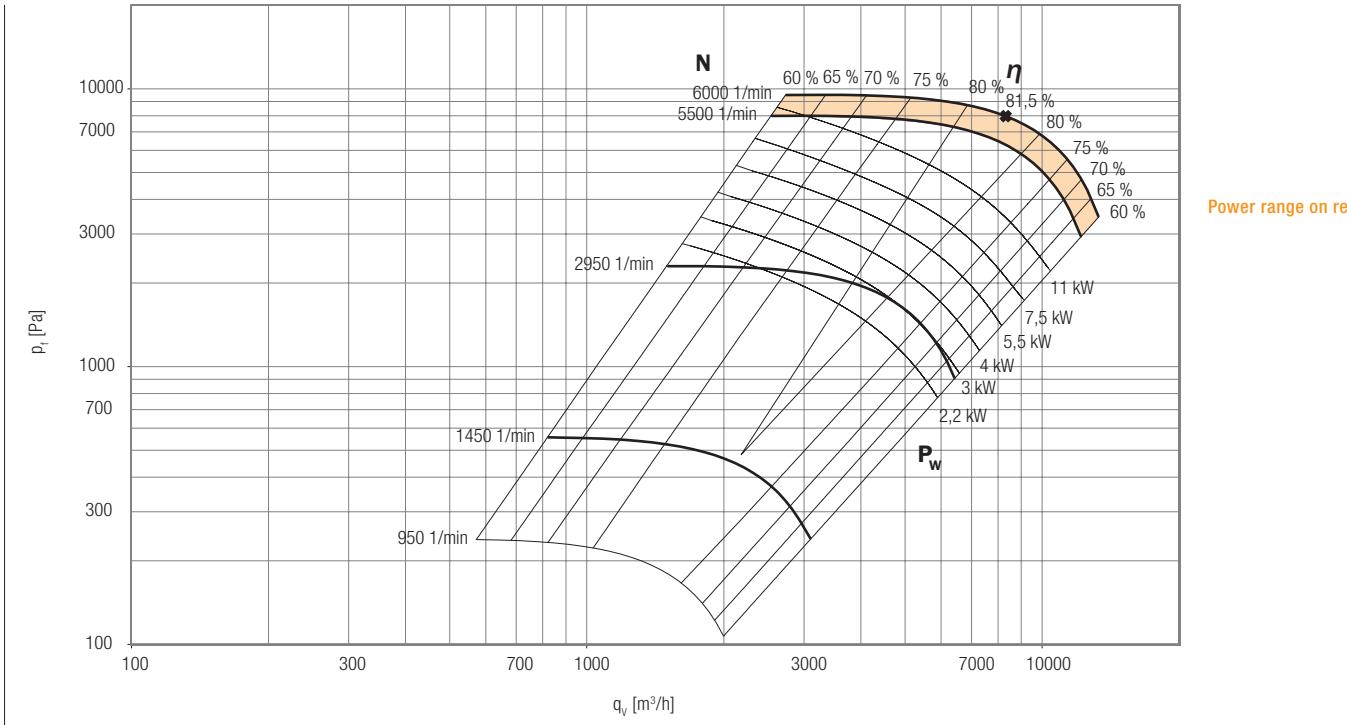
Order no. Fan	Motor power output [kW]	Speed [1/min]	Voltage [V] Connection	Nominal current [A]	Starting current [A]	Weight ca. [kg]	Order no. Z16	h* / h** [mm]	b [mm]	l [mm]
B100801	200	1485	400/690 Δ/Y	341.0	2591.6	2160	B250294	1250/1575	760	1833
B100802	75	985	400/690 Δ/Y	132.1	978.2	1850	B250291	1250/1575	760	1833
B100803	90	985	400/690 Δ/Y	159.0	1136.0	1928	B250291	1250/1575	760	1833
B100804	110	985	400/690 Δ/Y	194.0	1450.4	2000	B250294	1250/1575	760	1833
B100805	132	985	400/690 Δ/Y	229.0	1755.6	2120	B250294	1250/1575	760	1833
B100806	160	990	400/690 Δ/Y	274.0	2105.2	2485	B250294	1250/1575	860	2125
B100807	200	990	400/690 Δ/Y	345.0	2691.0	2535	B250294	1250/1575	860	2125
B100808	30	735	400/690 Δ/Y	60.2	401.3	1303	B250291	1250/1575	760	1558
B100809	37	735	400/690 Δ/Y	72.6	488.4	1407	B250291	1250/1575	760	1630
B100810	45	735	400/690 Δ/Y	88.0	589.4	1473	B250291	1250/1575	760	1630
B100811	55	735	400/690 Δ/Y	104.0	693.0	1835	B250291	1250/1575	760	1833
B100812	75	735	400/690 Δ/Y	141.0	943.8	1935	B250291	1250/1575	760	1833
B100813	90	735	400/690 Δ/Y	167.0	1115.4	1990	B250291	1250/1575	760	1833

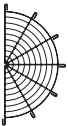

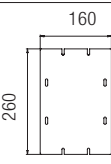




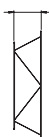


All indicated values for 400 V/50 Hz/3~.

h*: Casing position: 0°, 90° h**: Casing position: 270°

CREM01-56-0400 Centrifugal fan

Etecat by Pollrich DLK



- 
Z05 Protective grill suction side
 Ord. no. B151076
- 
Z10 Flexible sleeve round
 Ord. no. B141028
- 
Z13 Inspection hatch
 Ord. no. B240509
- 
Z16 Rubber anti vibration mounts
 (see below)
- 
Z18 Flange, round
 Ord. no. B101443
- 
Z19 Flange, square
 Ord. no. B101206
- 
Z45 Counter flange
 Ord. no. B101351
- 
Z63 Transition piece, square to round
 Ord. no. B101542
- 
Z81 Flexible sleeve square
 Ord. no. B101279
- 
Z89 Condensate drain
 Ord. no. B240506

Full specifications for accessories, see page 122

CREM01-56-0400-B

Order no. Fan	Motor power output [kW]	Speed [1/min]	Voltage [V] Connection	Nominal current [A]	Starting current [A]	Weight ca. [kg]	Order no. Z16	h* / h** [mm]	b [mm]	l [mm]
B100814	3	2891	230/400 Δ/Y	5.9	46.9	91	B149380	450/515	418	782
B100815	4	2914	400/690 Δ/Y	7.6	57.3	94	B149380	450/515	418	782
B100816	5.5	2937	400/690 Δ/Y	10.6	79.5	110	B149380	450/515	418	782
B100817	7.5	2940	400/690 Δ/Y	13.9	104.3	115	B149380	450/515	418	782
B100818	11	2930	400/690 Δ/Y	19.9	148.9	158	B148059	450/515	418	782
B100819	2.2	1440	230/400 Δ/Y	4.6	32.5	93	B149380	450/515	418	782
B100820	3	1440	230/400 Δ/Y	6.2	43.3	99	B149380	450/515	418	782

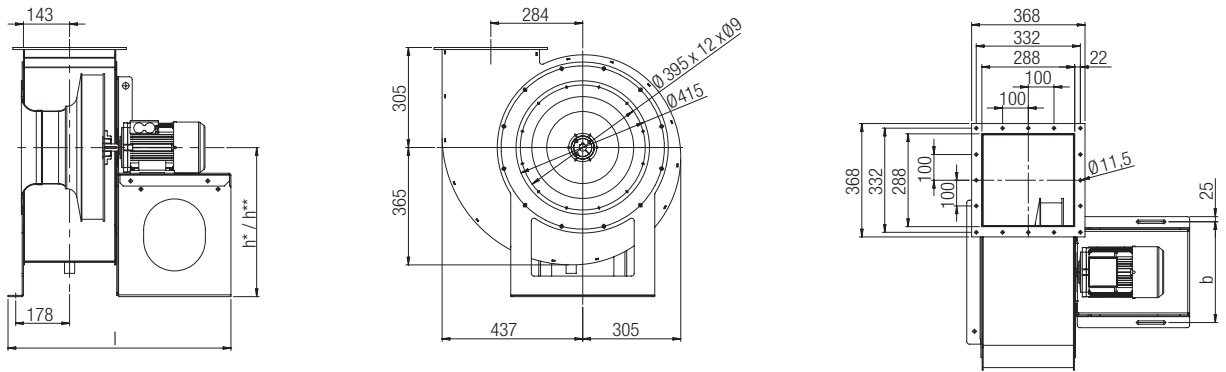
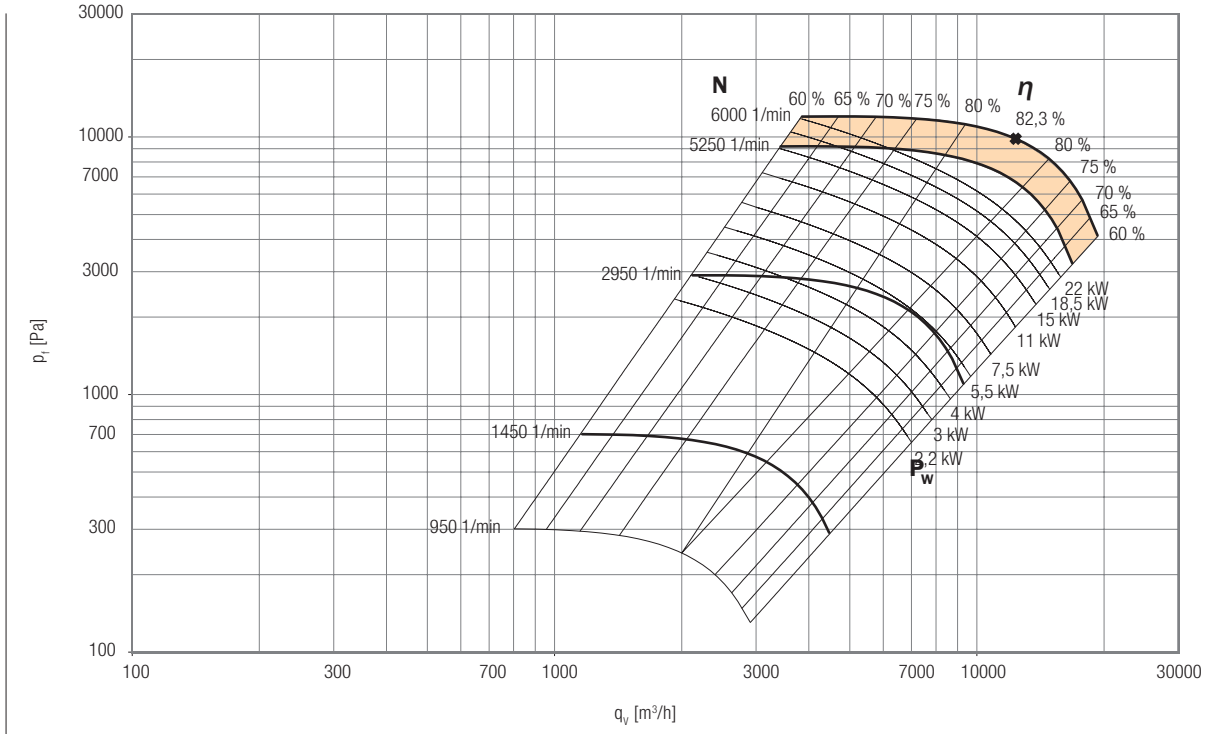
All indicated values for 400 V/50 Hz/3~.

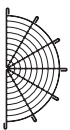
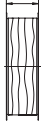
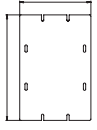



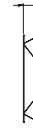
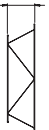


h*: Casing position: 0°, 90°

h**: Casing position: 270°

CREM01-56-0450 Centrifugal fan

Etatec by Pollrich DLK



- 
Z05 Protective grill suction side
 Ord. no. B151074
 - 
Z10 Flexible sleeve round
 Ord. no. B141029
 - 
Z13 Inspection hatch
 Ord. no. B240509
 - 
Z16 Rubber anti vibration mounts (see below)
 - 
Z18 Flange, round
 Ord. no. B101444
 - 
Z19 Flange, square
 Ord. no. B101207
 - 
Z45 Counter flange
 Ord. no. B101414
 - 
Z63 Transition piece, square to round
 Ord. no. B101543
 - 
Z81 Flexible sleeve square
 Ord. no. B101280
 - 
Z89 Condensate drain
 Ord. no. B240506
- Full specifications for accessoires, see page 122

CREM01-56-0450-B

Order no. Fan	Motor power output [kW]	Speed [1/min]	Voltage [V] Connection	Nominal current [A]	Starting current [A]	Weight ca. [kg]	Order no. Z16	h* / h** [mm]	b [mm]	l [mm]
B100821	7.5	2940	400/690 Δ/Y	13.9	104.3	153	B148059	485/560	378	794
B100822	11	2930	400/690 Δ/Y	19.9	150.9	196	B149928	485/560	457	921
B100823	15	2930	400/690 Δ/Y	26.6	202.2	222	B149928	485/560	457	921
B100824	18.5	2937	400/690 Δ/Y	33.0	244.2	252	B149928	485/560	457	921
B100825	22	2940	400/690 Δ/Y	38.1	297.2	287	B149937	485/560	457	921
B100826	2.2	1440	230/400 Δ/Y	4.6	32.5	131	B148059	485/560	378	794
B100827	3	1440	230/400 Δ/Y	6.2	43.3	137	B148059	485/560	378	794
B100828	4	1445	400/690 Δ/Y	8.1	60.9	142	B148059	485/560	378	794
B100829	5.5	1455	400/690 Δ/Y	10.9	69.8	153	B148059	485/560	378	794

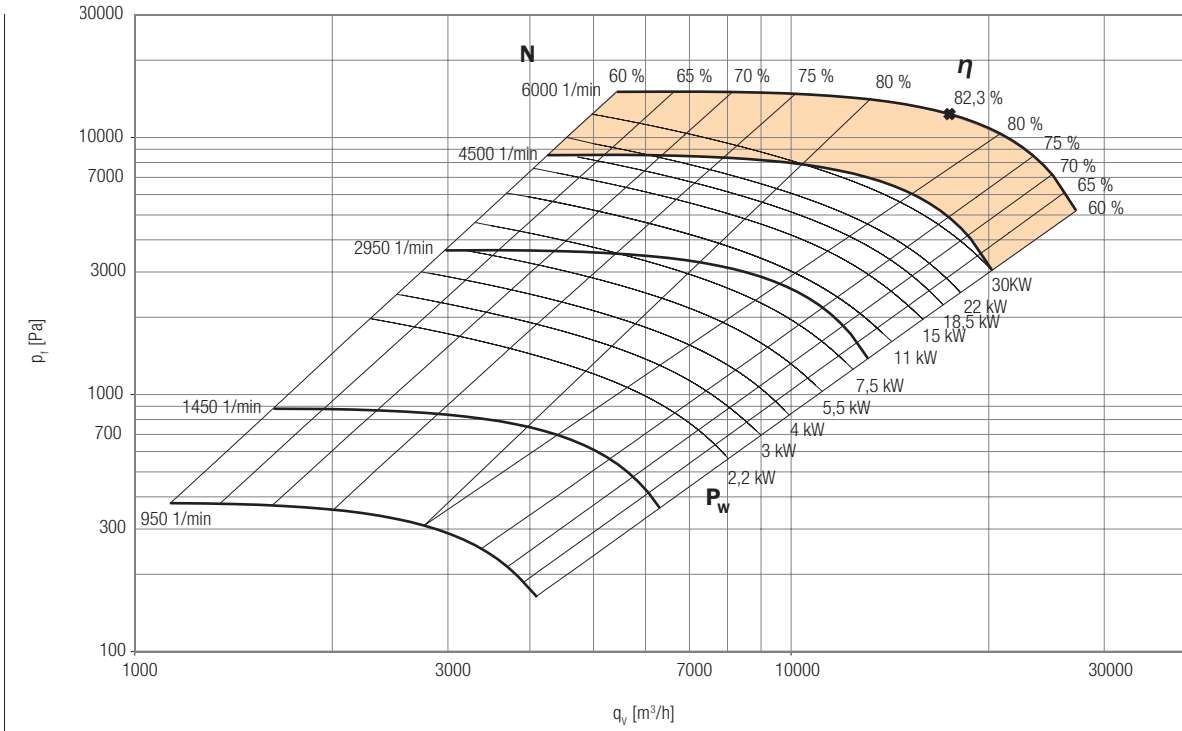
All indicated values for 400 V/50 Hz/3~.

h*: Casing position: 0°, 90°

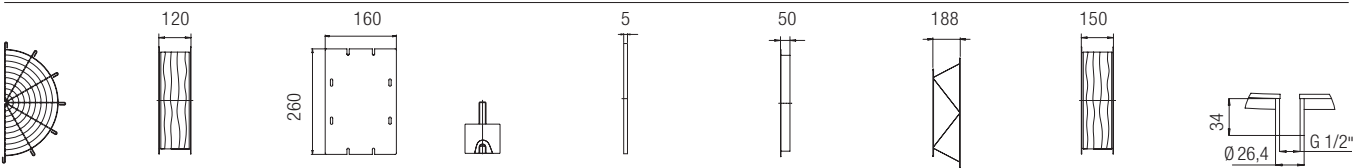
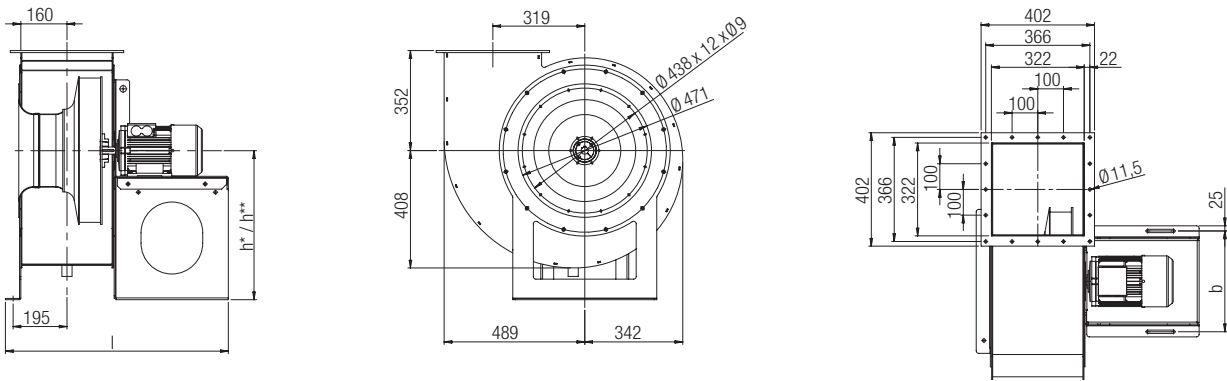
h**: Casing position: 270°

CREM01-56-0500 Centrifugal fan

Eatec by Pollrich DLK



Power range on request



- Z05** Protective grill suction side Ord. no. B151061
- Z10** Flexible sleeve round Ord. no. B141030
- Z13** Inspection hatch Ord. no. B240509
- Z16** Rubber anti vibration mounts (see below)
- Z18** Flange, round Ord. no. B101445
- Z19** Flange, square Ord. no. B101208
- Z45** Counter flange Ord. no. B101353
- Z63** Transition piece, square to round Ord. no. B101544
- Z81** Flexible sleeve square Ord. no. B101281
- Z89** Condensate drain Ord. no. B240506

Full specifications for accessories, see page 122

CREM01-56-0500-B

Order no. Fan	Motor power output [kW]	Speed [1/min]	Voltage [V] Connection	Nominal current [A]	Starting current [A]	Weight ca. [kg]	Order no. Z16	h^* / h^{**} [mm]	b [mm]	l [mm]
B100830	11	2930	400/690 Δ/Y	19.9	142.9	211	B149928	530/610	496	998
B100831	15	2930	400/690 Δ/Y	26.6	202.2	237	B149928	530/610	496	998
B100832	18.5	2937	400/690 Δ/Y	33.0	244.2	267	B149928	530/610	496	998
B100833	22	2940	400/690 Δ/Y	38.1	297.2	302	B149937	530/610	496	998
B100834	30	2950	400/690 Δ/Y	53.4	416.5	356	B149937	530/610	496	998
B100835	2.2	1440	230/400 Δ/Y	4.6	20.9	146	B148059	530/610	392	833
B100836	3	1440	230/400 Δ/Y	6.2	27.8	152	B148059	530/610	392	833
B100837	4	1445	400/690 Δ/Y	8.1	40.6	157	B148059	530/610	392	833
B100838	5.5	1455	400/690 Δ/Y	10.9	60.0	168	B148059	530/610	392	833
B100839	7.5	1455	400/690 Δ/Y	14.5	94.3	179	B148059	530/610	392	833
B100840	11	1460	400/690 Δ/Y	22.1	165.8	253	B149928	530/610	496	998

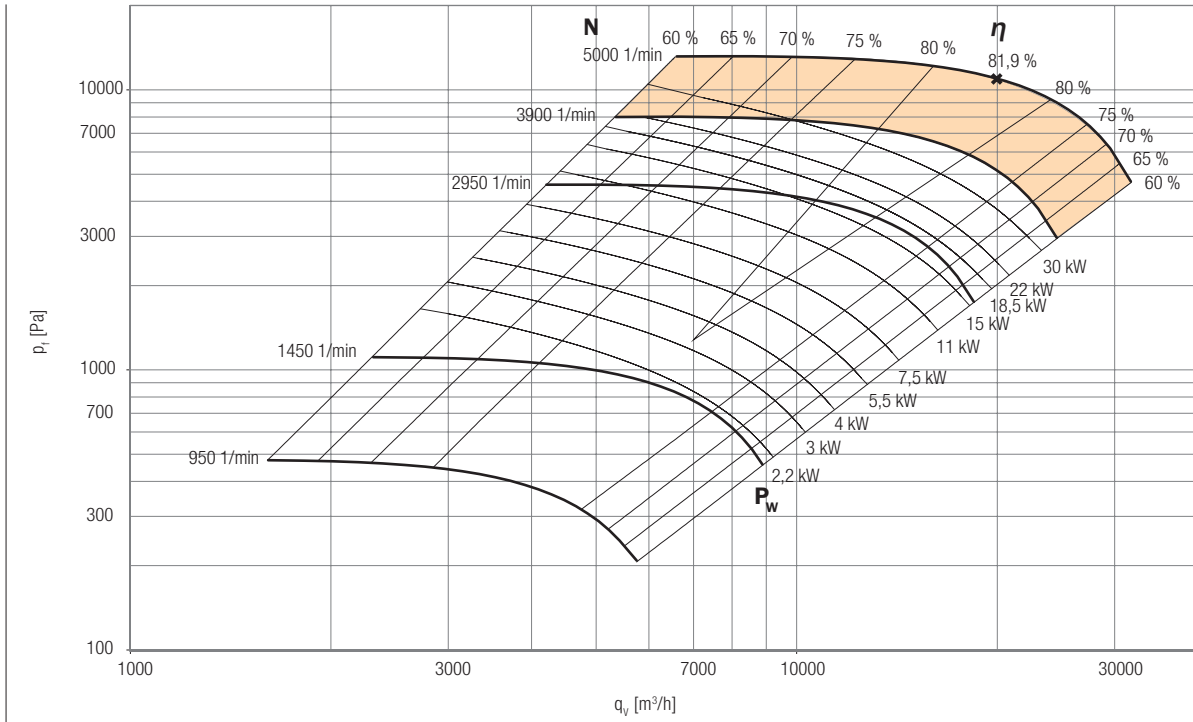
All indicated values for 400 V/50 Hz/3~.

h^* : Casing position: 0°, 90°

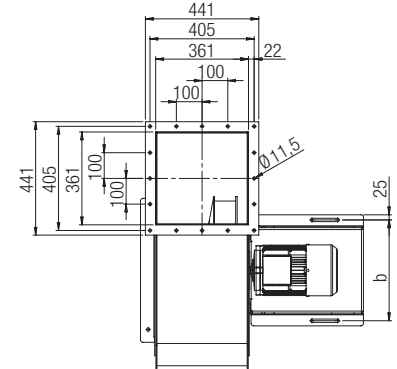
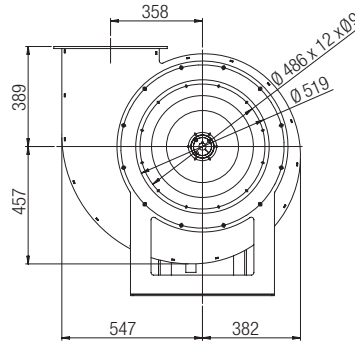
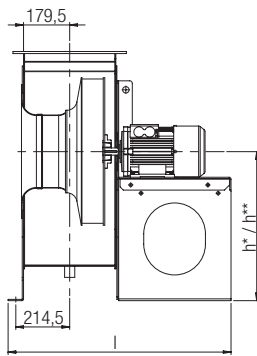
h^{**} : Casing position: 270°

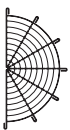
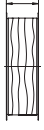
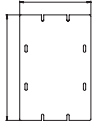




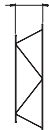

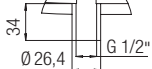
CREM01-56-0560 Centrifugal fan

Etatec by Pollrich DLK



Power range on request



- 
Z05 Protective grill suction side
Ord. no. B151081
- 
Z10 Flexible sleeve round
Ord. no. B141031
- 
Z13 Inspection hatch
Ord. no. B240512
- 
Z16 Rubber anti vibration mounts
(see below)
- 
Z18 Flange, round
Ord. no. B101446
- 
Z19 Flange, square
Ord. no. B101209
- 
Z45 Counter flange
Ord. no. B101354
- 
Z63 Transition piece, square to round
Ord. no. B101545
- 
Z81 Flexible sleeve square
Ord. no. B101282
- 
Z89 Condensate drain
Ord. no. B240506

Full specifications for accessoires, see page 122

CREM01-56-0560-B

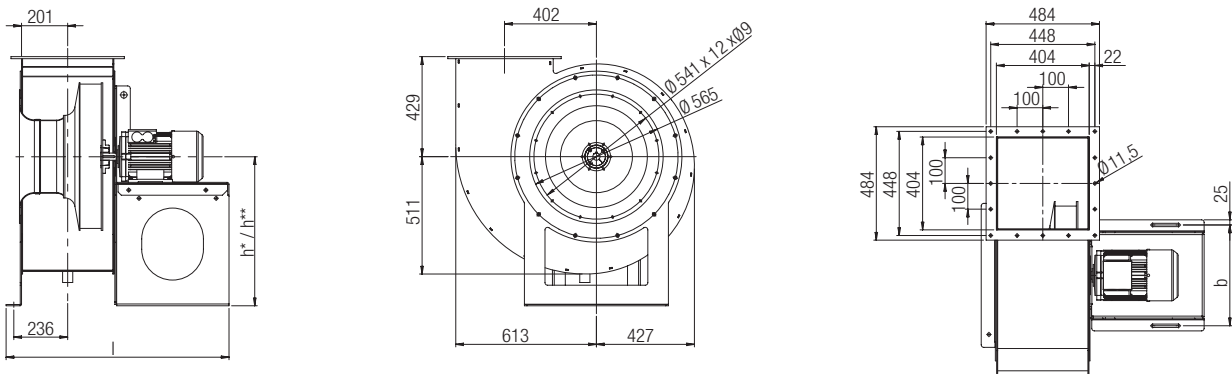
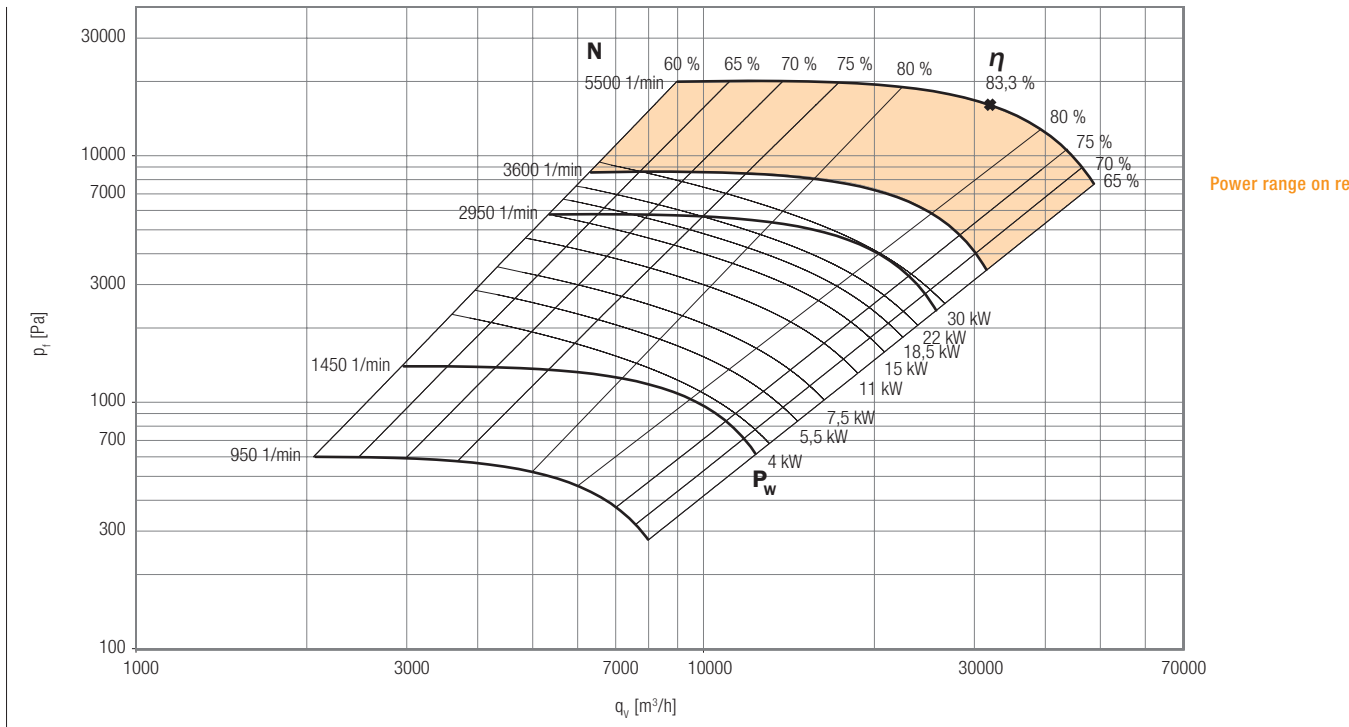
Order no. Fan	Motor power output [kW]	Speed [1/min]	Voltage [V] Connection	Nominal current [A]	Starting current [A]	Weight ca. [kg]	Order no. Z16	h* / h** [mm]	b [mm]	l [mm]
B100841	18.5	2937	400/690 Δ/Y	33.0	244.2	282	B149937	580/670	509	1037
B100842	22	2940	400/690 Δ/Y	38.1	297.2	317	B149937	580/670	509	1037
B100843	30	2950	400/690 Δ/Y	53.4	416.5	371	B149937	580/670	509	1037
B100844	2.2	1440	230/400 Δ/Y	4.6	32.5	161	B148059	580/670	392	867
B100845	3	1440	230/400 Δ/Y	6.2	43.3	167	B148059	580/670	392	867
B100846	4	1445	400/690 Δ/Y	8.1	60.9	172	B148059	580/670	392	867
B100847	5.5	1455	400/690 Δ/Y	10.9	69.8	183	B149928	580/670	392	867
B100848	7.5	1455	400/690 Δ/Y	14.5	101.5	194	B149928	580/670	392	867
B100849	11	1460	400/690 Δ/Y	22.1	152.5	268	B149928	580/670	509	1037
B100850	15	1460	400/690 Δ/Y	29.6	222.0	244	B149928	580/670	509	1037
B100851	18.5	1470	400/690 Δ/Y	32.7	255.3	300	B149937	580/670	509	1037

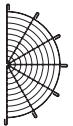
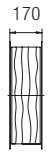
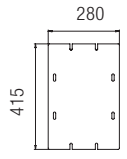




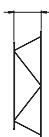


All indicated values for 400 V/50 Hz/3~.

h*: Casing position: 0°, 90° h**: Casing position: 270°

CREM01-56-0630 Centrifugal fan

Eatec by Pollrich DLK



- 
Z05 Protective grill suction side
 Ord. no. B151068
 - 
Z10 Flexible sleeve round
 Ord. no. B141032
 - 
Z13 Inspection hatch
 Ord. no. B240512
 - 
Z16 Rubber anti vibration mounts (see below)
 - 
Z18 Flange, round
 Ord. no. B101447
 - 
Z19 Flange, square
 Ord. no. B101210
 - 
Z45 Counter flange
 Ord. no. B101415
 - 
Z63 Transition piece, square to round
 Ord. no. B101546
 - 
Z81 Flexible sleeve square
 Ord. no. B101283
 - 
Z89 Condensate drain
 Ord. no. B240506
- Full specifications for accessories, see page 122

CREM01-56-0630-B

Order no. Fan	Motor power output [kW]	Speed [1/min]	Voltage [V] Connection	Nominal current [A]	Starting current [A]	Weight ca. [kg]	Order no. Z16	h* / h** [mm]	b [mm]	l [mm]
B100852	30	2950	400/690 Δ/Y	53.4	411.2	406	B149937	635/735	508	1025
B100853	4	1445	400/690 Δ/Y	8.1	60.9	207	B149928	635/735	475	1058
B100854	5.5	1455	400/690 Δ/Y	10.9	69.8	218	B149928	635/735	475	1058
B100855	7.5	1455	400/690 Δ/Y	14.5	101.5	229	B149928	635/735	475	1058
B100856	11	1460	400/690 Δ/Y	22.1	152.5	303	B149937	635/735	475	1058
B100857	15	1460	400/690 Δ/Y	29.6	222.0	279	B149937	635/735	475	1058
B100858	18.5	1470	400/690 Δ/Y	32.7	255.3	335	B149937	635/735	475	1058
B100859	22	1470	400/690 Δ/Y	38.4	288.2	349	B149937	635/735	475	1058

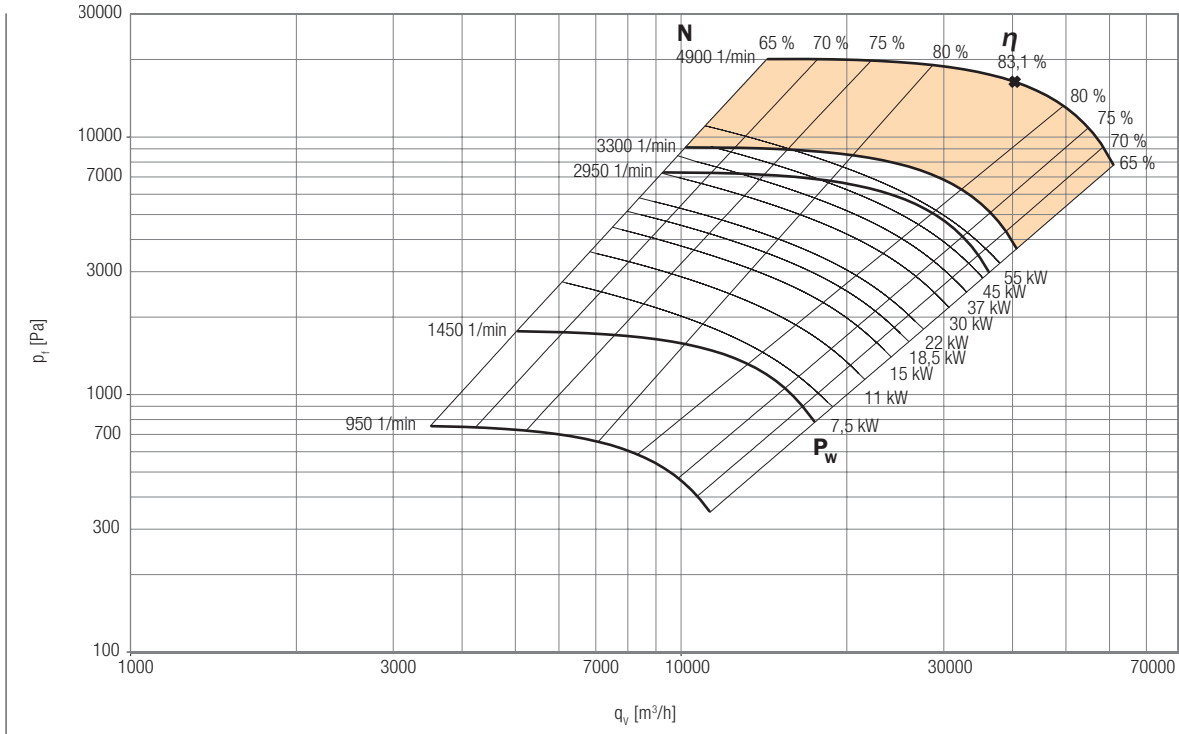
All indicated values for 400 V/50 Hz/3~.

h*: Casing position: 0°, 90°

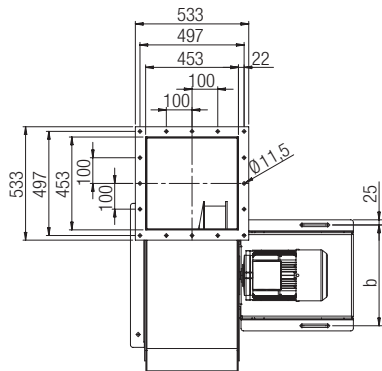
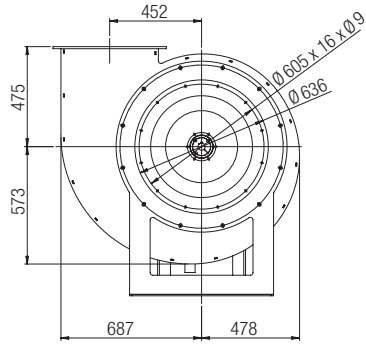
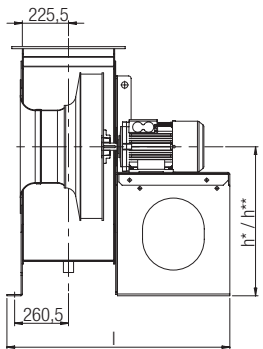
h**: Casing position: 270°


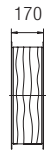
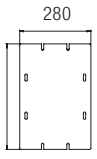




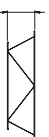


CREM01-56-0710 Centrifugal fan

Etatec by Pollrich DLK



Power range on request



- 
Z05 Protective grill suction side
 Ord. no. B151066
 - 
Z10 Flexible sleeve round
 Ord. no. B141033
 - 
Z13 Inspection hatch
 Ord. no. B240512
 - 
Z16 Rubber anti vibration mounts
 (see below)
 - 
Z18 Flange, round
 Ord. no. B101448
 - 
Z19 Flange, square
 Ord. no. B101211
 - 
Z45 Counter flange
 Ord. no. B101356
 - 
Z63 Transition piece, square to round
 Ord. no. B101547
 - 
Z81 Flexible sleeve square
 Ord. no. B101284
 - 
Z89 Condensate drain
 Ord. no. B240506
- Full specifications for accessoires, see page 122

CREM01-56-0710-B

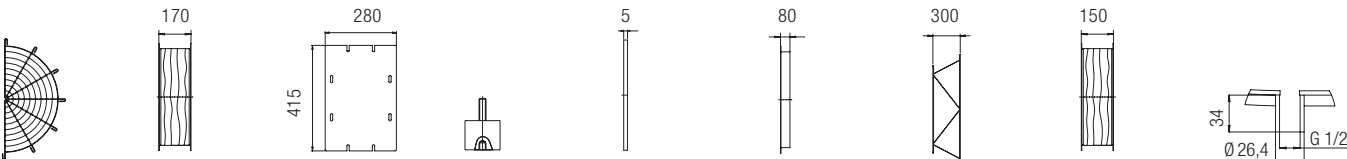
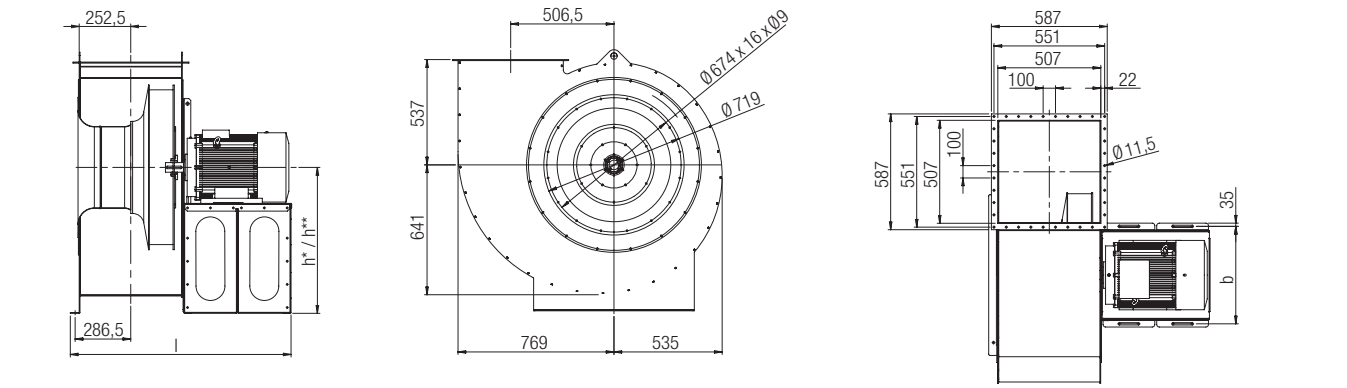
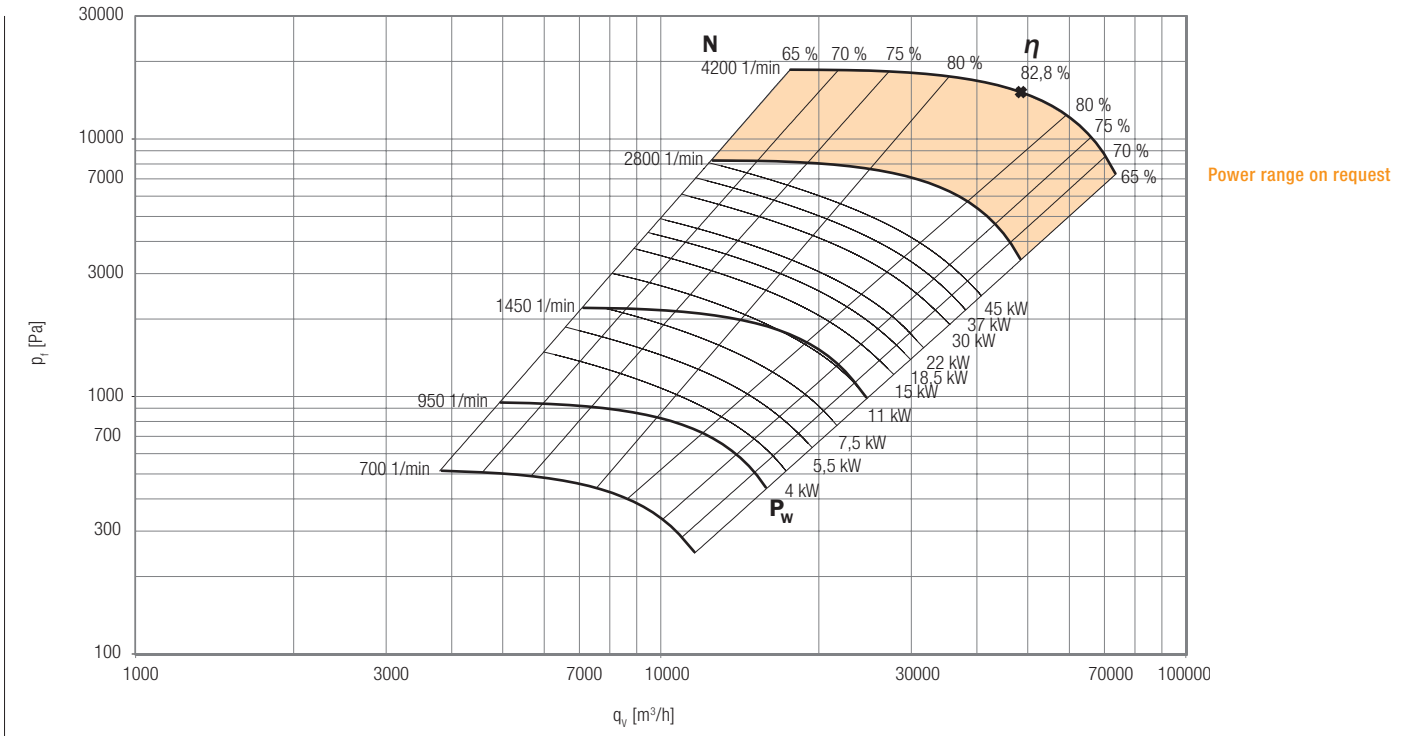
Order no. Fan	Motor power output [kW]	Speed [1/min]	Voltage [V] Connection	Nominal current [A]	Starting current [A]	Weight ca. [kg]	Order no. Z16	h^* / h^{**} [mm]	b [mm]	l [mm]
B100860	55	2965	400/690 Δ/Y	93.6	664.6	602	B149948	695/810	620	1219
B100861	7.5	1455	400/690 Δ/Y	14.5	101.5	284	B149937	695/810	475	1074
B100862	11	1460	400/690 Δ/Y	22.1	152.5	358	B149937	695/810	475	1074
B100863	15	1460	400/690 Δ/Y	29.6	222.0	334	B149937	695/810	475	1074
B100864	18.5	1470	400/690 Δ/Y	32.7	255.3	390	B149937	695/810	475	1074
B100865	22	1470	400/690 Δ/Y	38.4	288.2	404	B149937	695/810	475	1074
B100866	30	1470	400/690 Δ/Y	54.4	386.2	490	B149948	695/810	620	1219
B100867	37	1480	400/690 Δ/Y	66.2	496.5	530	B149948	695/810	620	1219
B100868	45	1480	400/690 Δ/Y	80.1	608.8	560	B149948	695/810	620	1219

All indicated values for 400 V/50 Hz/3~.

h^* : Casing position: 0°, 90° h^{**} : Casing position: 270°

CREM01-56-0800 Centrifugal fan

Eatec by Pollrich DLK



- Z05** Protective grill suction side
Ord. no. B151088
- Z10** Flexible sleeve round
Ord. no. B141035
- Z13** Inspection hatch
Ord. no. B240512
- Z16** Rubber anti vibration mounts (see below)
- Z18** Flange, round
Ord. no. B101449
- Z19** Flange, square
Ord. no. B101254
- Z45** Counter flange
Ord. no. B101416
- Z63** Transition piece, square to round
Ord. no. B101548
- Z81** Flexible sleeve square
Ord. no. B101326
- Z89** Condensate drain
Ord. no. B240506

Full specifications for accessories, see page 122

CREM01-56-0800-B

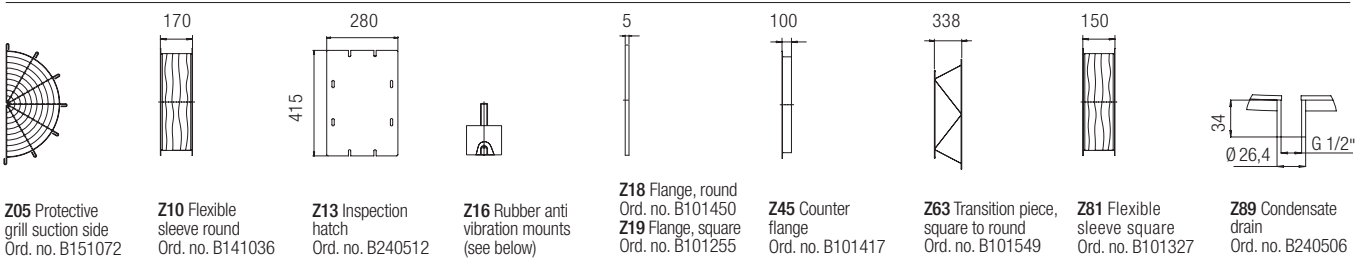
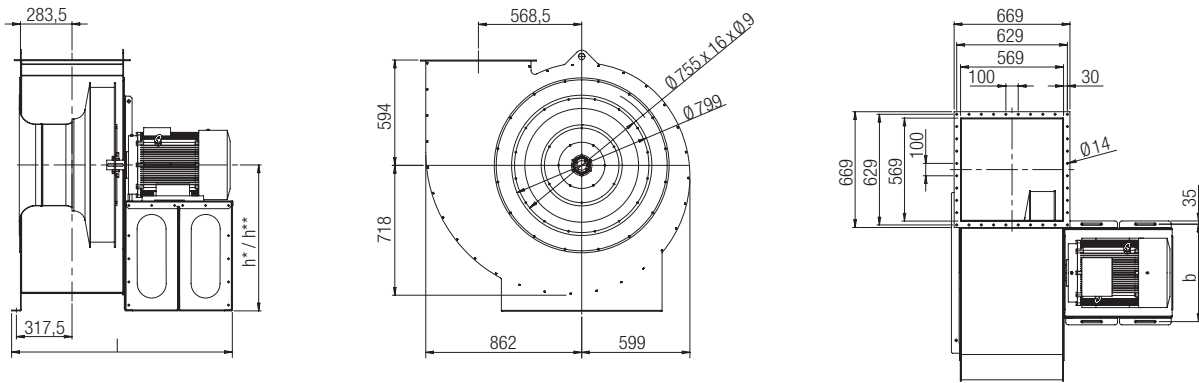
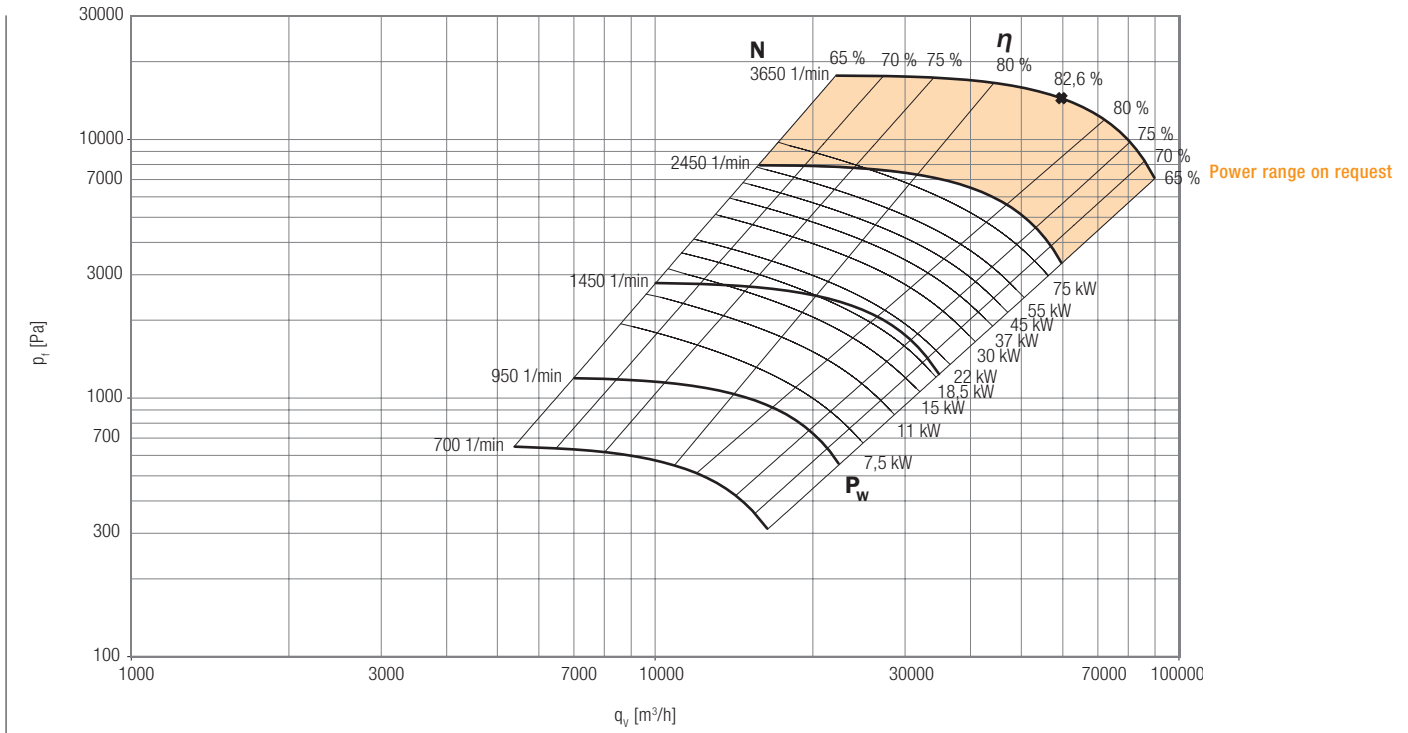
Order no. Fan	Motor power output [kW]	Speed [1/min]	Voltage [V] Connection	Nominal current [A]	Starting current [A]	Weight ca. [kg]	Order no. Z16	h* / h** [mm]	b [mm]	l [mm]
B100869	15	1460	400/690 Δ/Y	29.6	210.8	404	B149937	765/890	500	1124
B100870	18.5	1470	400/690 Δ/Y	32.7	265.2	460	B149948	765/890	500	1160
B100871	22	1470	400/690 Δ/Y	38.4	301.5	474	B149948	765/890	500	1160
B100872	30	1470	400/690 Δ/Y	54.4	386.2	560	B149948	765/890	570	1251
B100873	37	1480	400/690 Δ/Y	66.2	496.5	600	B149948	765/890	570	1291
B100874	45	1480	400/690 Δ/Y	80.1	608.8	630	B149948	765/890	570	1291
B100875	4	965	400/690 Δ/Y	9.0	44.8	343	B149937	765/890	500	972
B100876	5.5	965	400/690 Δ/Y	12.0	66.0	354	B149937	765/890	500	972
B100877	7.5	970	400/690 Δ/Y	15.9	103.4	390	B149937	765/890	500	1124
B100878	11	970	400/690 Δ/Y	22.1	171.8	439	B149937	765/890	500	1124
B100879	15	975	400/690 Δ/Y	29.8	190.7	488	B149948	765/890	500	1160

All indicated values for 400 V/50 Hz/3~.

h*: Casing position: 0°, 90° h**: Casing position: 270°

CREM01-56-0900 Centrifugal fan

Etatec by Pollrich DLK



Full specifications for accessoires, see page 122

CREM01-56-0900-B

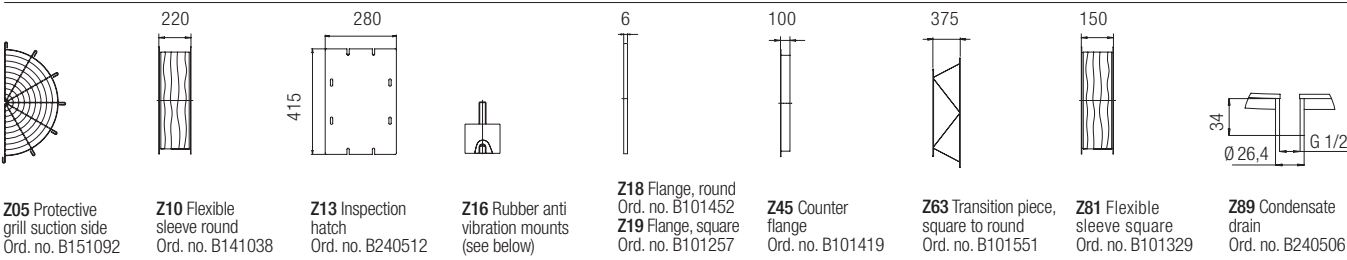
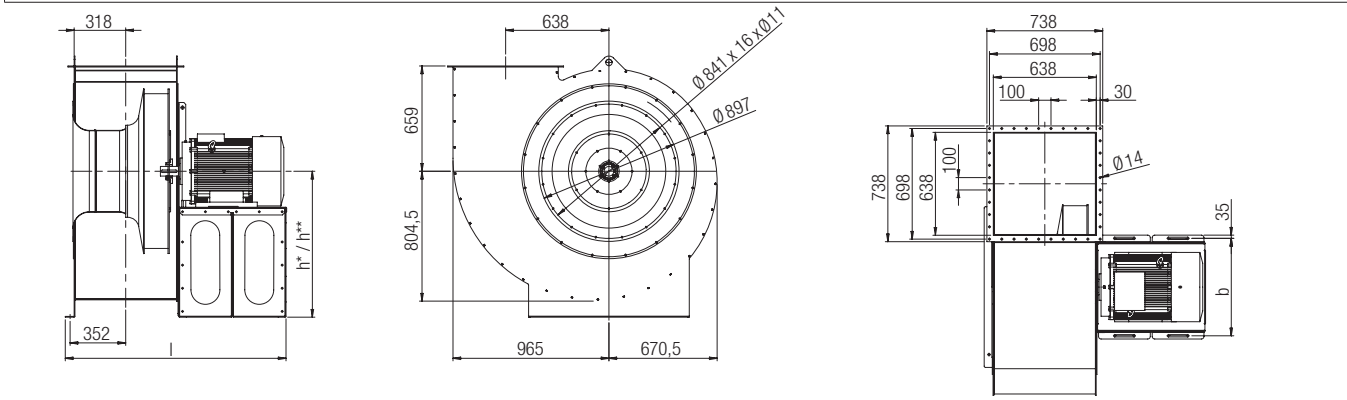
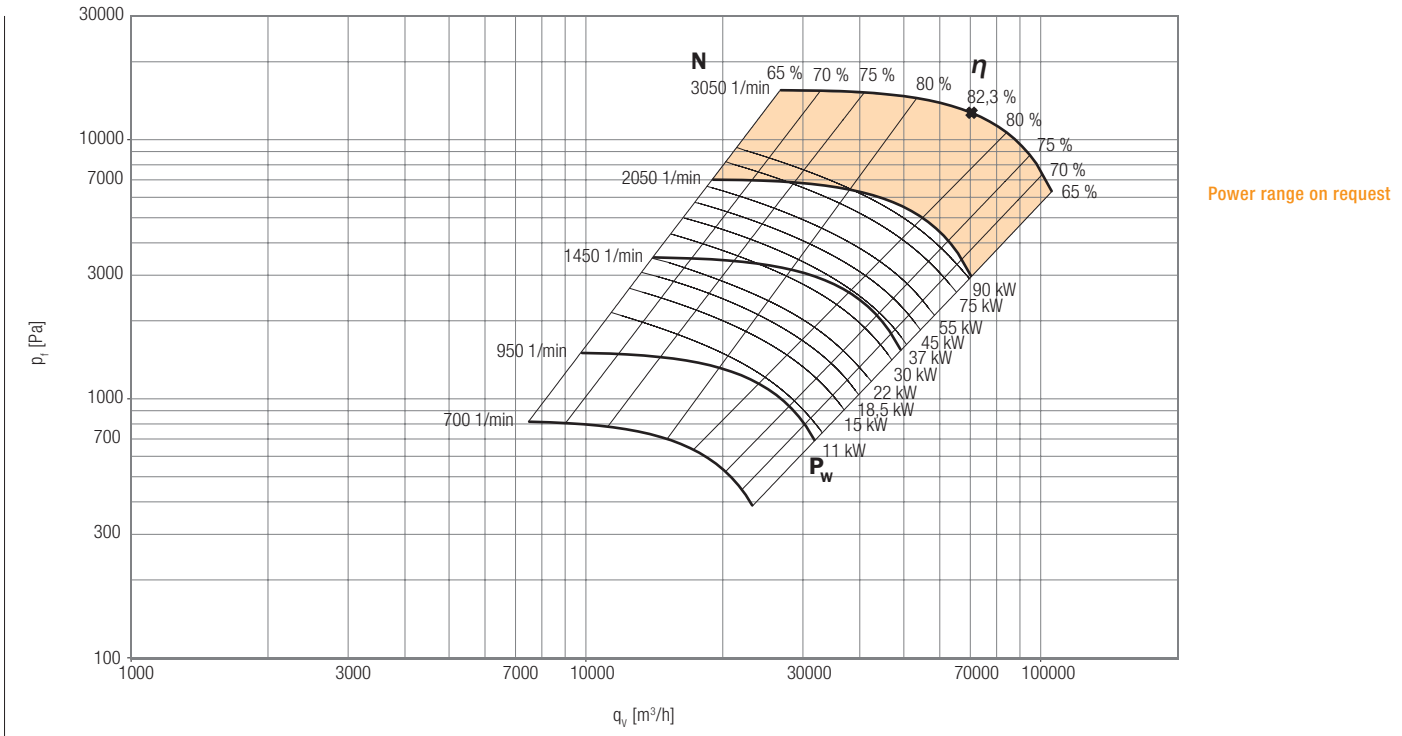
Order no. Fan	Motor power output [kW]	Speed [1/min]	Voltage [V] Connection	Nominal current [A]	Starting current [A]	Weight ca. [kg]	Order no. Z16	h^* / h^{**} [mm]	b [mm]	l [mm]
B100880	22	1470	400/690 Δ/Y	38.4	301.5	594	B149948	840/985	513	1218
B100881	30	1470	400/690 Δ/Y	54.4	386.2	680	B149948	840/985	513	1309
B100882	37	1480	400/690 Δ/Y	66.2	496.5	720	B149948	840/985	653.4	1346
B100883	45	1480	400/690 Δ/Y	80.1	608.8	750	B149948	840/985	653.4	1346
B100884	55	1480	400/690 Δ/Y	96.7	711.8	805	B149948	840/985	653.4	1407
B100885	75	1480	400/690 Δ/Y	131.0	1003.2	925	B250291	840/985	653.4	1479
B100886	7.5	970	400/690 Δ/Y	15.9	103.4	510	B149948	840/985	513	1182
B100887	11	970	400/690 Δ/Y	22.1	171.8	559	B149948	840/985	513	1182
B100888	15	975	400/690 Δ/Y	29.8	190.7	608	B149948	840/985	513	1218
B100889	18.5	980	400/690 Δ/Y	35.7	254.8	610	B149948	840/985	513	1309
B100890	22	980	400/690 Δ/Y	41.6	294.0	638	B149948	840/985	513	1309

All indicated values for 400 V/50 Hz/3~.

h^* : Casing position: 0°, 90° h^{**} : Casing position: 270°

CREM01-56-1000 Centrifugal fan

Eatec by Pollrich DLK



Full specifications for accessoires, see page 122

CREM01-56-1000-B

Order no. Fan	Motor power output [kW]	Speed [1/min]	Voltage [V] Connection	Nominal current [A]	Starting current [A]	Weight ca. [kg]	Order no. Z16	h* / h** [mm]	b [mm]	l [mm]
B100891	37	1480	400/690 Δ/Y	66.2	496.5	840	B149948	925/1085	714.4	1418
B100892	45	1480	400/690 Δ/Y	80.1	608.8	870	B149948	925/1085	714.4	1418
B100893	55	1480	400/690 Δ/Y	96.7	711.8	925	B250291	925/1085	714.4	1479
B100894	75	1480	400/690 Δ/Y	131.0	1003.2	1045	B250291	925/1085	714.4	1551
B100895	90	1480	400/690 Δ/Y	157.0	1185.0	1141	B250291	925/1085	714.4	1551
B100896	15	975	400/690 Δ/Y	29.8	190.7	728	B149948	840/985	520	1287
B100897	18.5	980	400/690 Δ/Y	35.7	254.8	730	B149948	925/1085	520	1378
B100898	22	980	400/690 Δ/Y	41.6	294.0	758	B149948	925/1085	520	1378
B100899	30	980	400/690 Δ/Y	56.2	365.3	826	B149948	925/1085	714.4	1418
B100900	37	980	400/690 Δ/Y	66.9	464.4	910	B149948	925/1085	714.4	1479
B100901	11	730	400/690 Δ/Y	23.4	142.8	690	B149948	840/985	520	1287

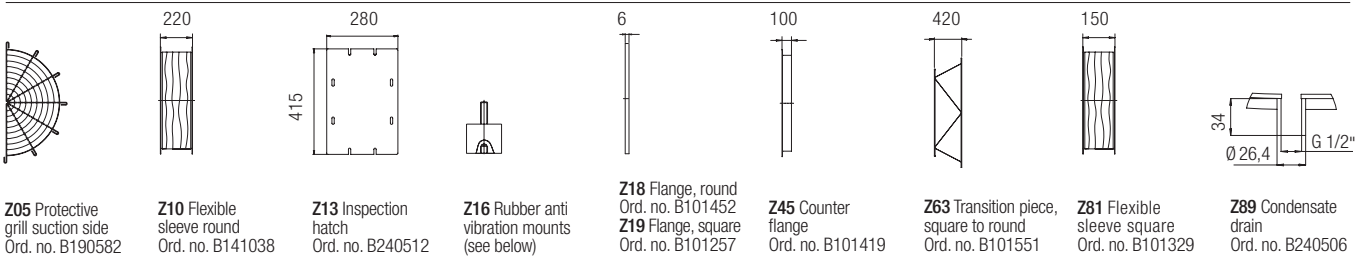
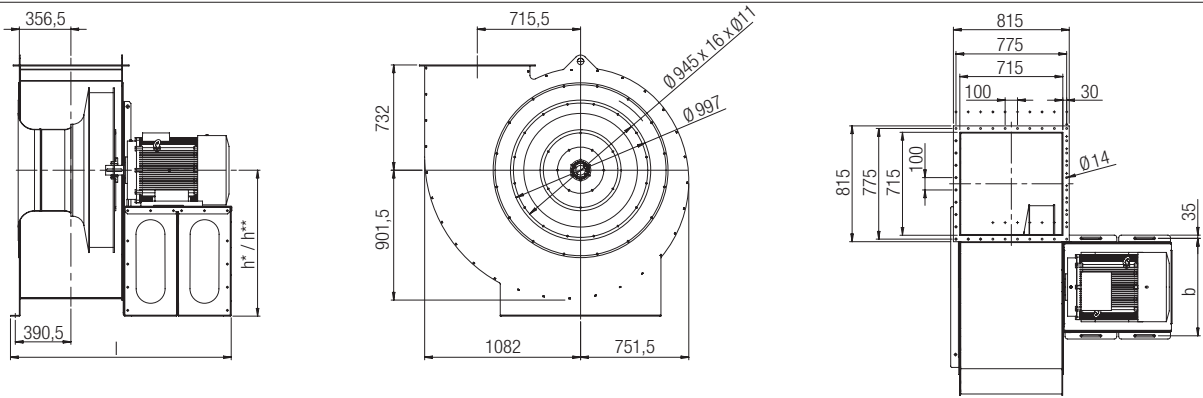
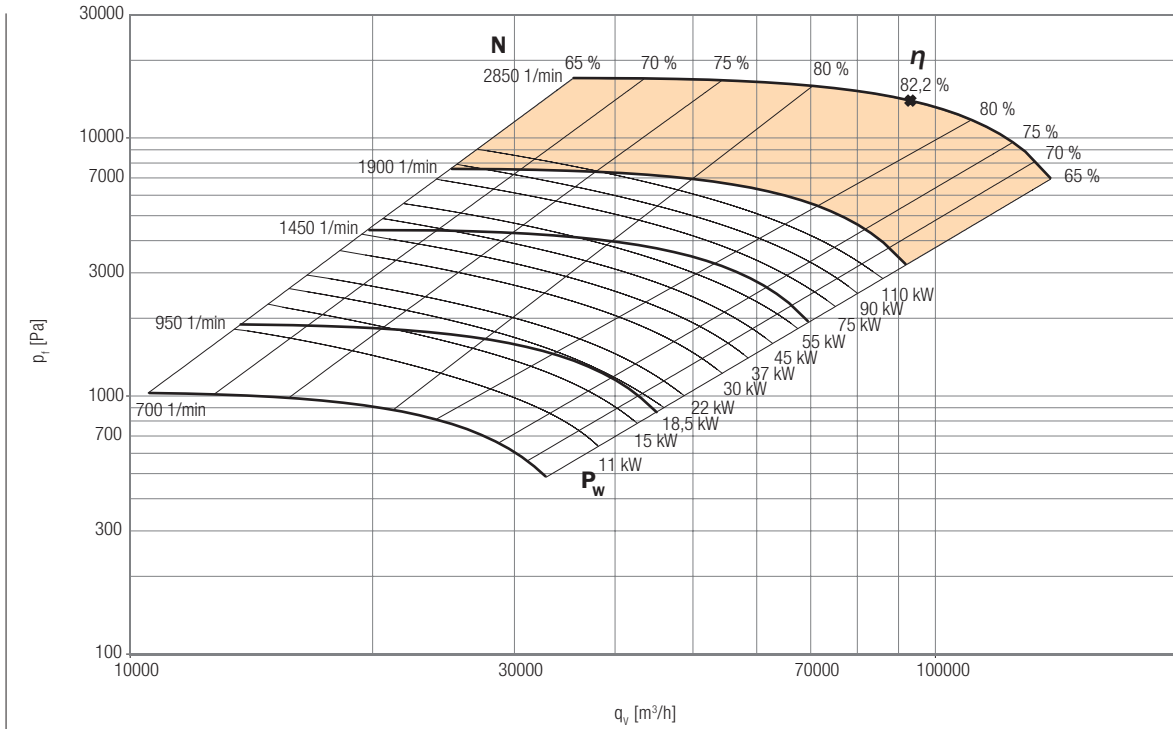
All indicated values for 400 V/50 Hz/3~.

h*: Casing position: 0°, 90°

h**: Casing position: 270°

CREM01-56-1120 Centrifugal fan

Etatec by Pollrich DLK



Full specifications for accessoires, see page 122

CREM01-56-1150-B

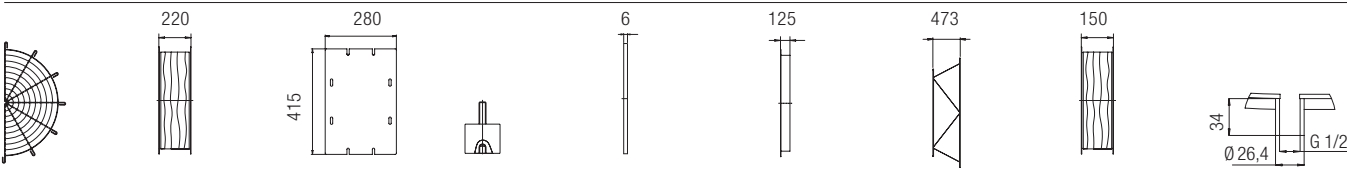
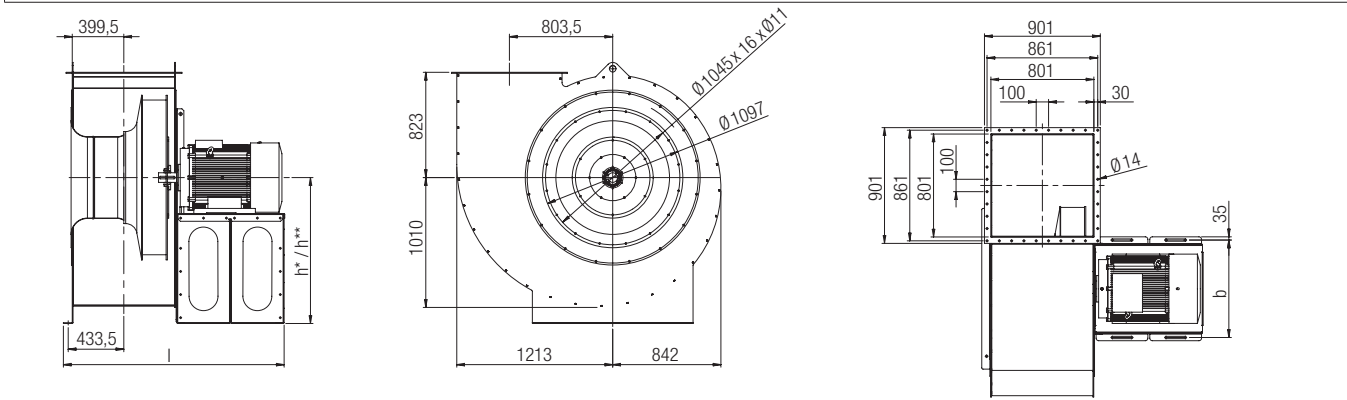
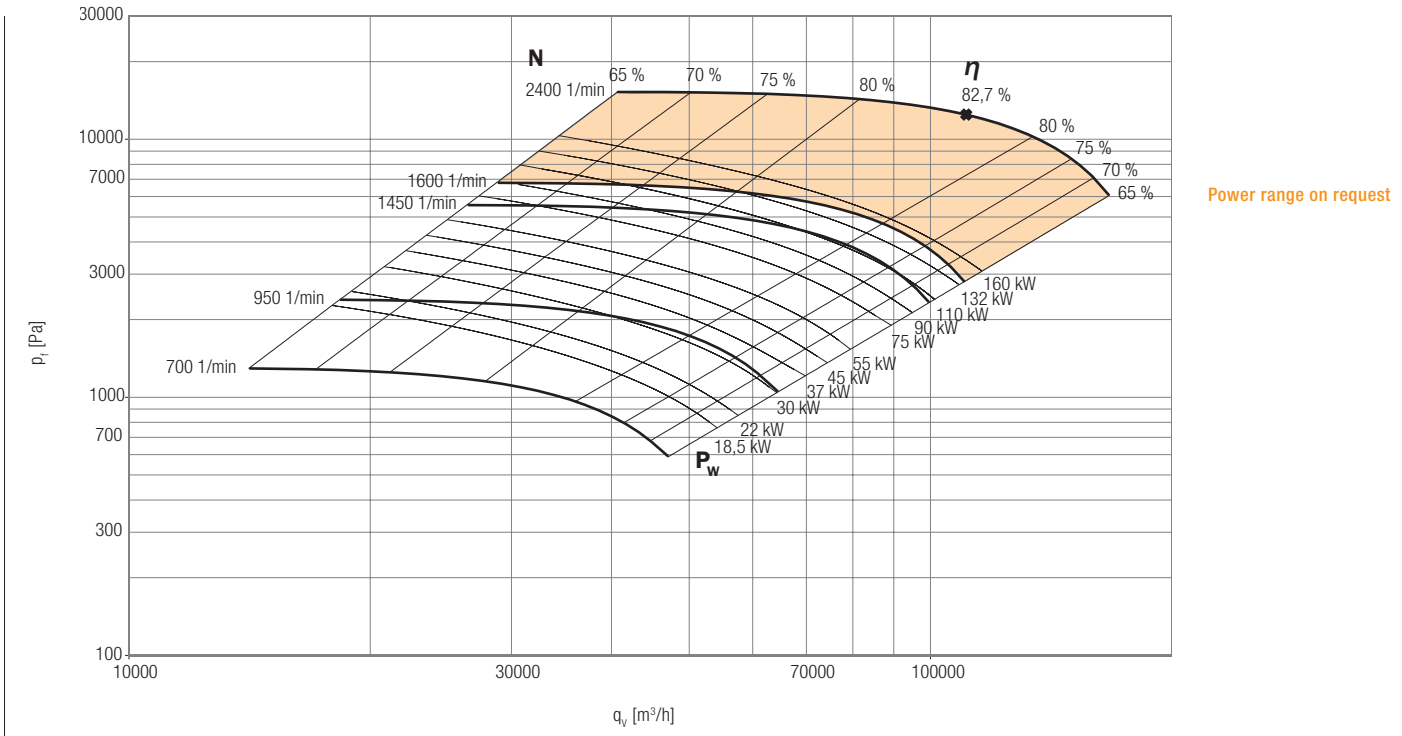
Order no. Fan	Motor power output [kW]	Speed [1/min]	Voltage [V] Connection	Nominal current [A]	Starting current [A]	Weight ca. [kg]	Order no. Z16	h* / h** [mm]	b [mm]	l [mm]
B100902	75	1480	400/690 Δ/Y	131.0	1003.2	1135	B250291	1025/1205	786.6	1645
B100903	90	1480	400/690 Δ/Y	157.0	1185.0	1231	B250291	1025/1205	786.6	1645
B100904	110	1485	400/690 Δ/Y	191.0	1356.1	1570	B250291	1025/1205	786.6	1848
B100905	18.5	980	400/690 Δ/Y	35.7	254.8	820	B149948	925/1085	560	1472
B100906	22	980	400/690 Δ/Y	41.6	294.0	848	B149948	925/1085	560	1472
B100907	30	980	400/690 Δ/Y	56.2	365.3	916	B149948	1025/1205	560	1512
B100908	37	980	400/690 Δ/Y	66.9	464.4	1000	B250291	1025/1205	786.6	1573
B100909	45	980	400/690 Δ/Y	80.4	570.5	1110	B250291	1025/1205	786.6	1645
B100910	55	980	400/690 Δ/Y	96.6	704.3	1165	B250291	1025/1205	786.6	1645
B100911	75	985	400/690 Δ/Y	132.1	978.2	1535	B250291	1025/1205	786.6	1848
B100912	11	730	400/690 Δ/Y	23.4	142.8	780	B149948	925/1085	560	1381
B100913	15	730	400/690 Δ/Y	32.1	213.8	848	B149948	925/1085	560	1472

All indicated values for 400 V/50 Hz/3~.

h*: Casing position: 0°, 90° h**: Casing position: 270°

CREM01-56-1250 Centrifugal fan

Eatec by Pollrich DLK



- Z05** Protective grill suction side
Ord. no. B151090
- Z10** Flexible sleeve round
Ord. no. B141054
- Z13** Inspection hatch
Ord. no. B240512
- Z16** Rubber anti vibration mounts (see below)
- Z18** Flange, round
Ord. no. B101453
- Z19** Flange, square
Ord. no. B101258
- Z45** Counter flange
Ord. no. B101420
- Z63** Transition piece, square to round
Ord. no. B101552
- Z81** Flexible sleeve square
Ord. no. B101330
- Z89** Condensate drain
Ord. no. B240506

Full specifications for accessoires, see page 122

CREM01-56-1250-B

Order no. Fan	Motor power output [kW]	Speed [1/min]	Voltage [V] Connection	Nominal current [A]	Starting current [A]	Weight ca. [kg]	Order no. Z16	h* / h** [mm]	b [mm]	l [mm]
B100914	110	1485	400/690 Δ/Y	191.0	1356.1	1771	B250291	1135/1335	758	1917
B100915	132	1485	400/690 Δ/Y	228.0	1664.4	1858	B250291	1135/1335	758	1917
B100916	160	1485	400/690 Δ/Y	273.0	2020.2	1928	B250291	1135/1335	758	1917
B100917	30	980	400/690 Δ/Y	56.2	365.3	1117	B250291	1135/1335	758	1581
B100918	37	980	400/690 Δ/Y	66.9	464.4	1201	B250291	1135/1335	758	1642
B100919	45	980	400/690 Δ/Y	80.4	570.5	1311	B250291	1135/1335	758	1714
B100920	55	980	400/690 Δ/Y	96.6	704.3	1366	B250291	1135/1335	758	1714
B100921	75	985	400/690 Δ/Y	132.1	978.2	1736	B250291	1135/1335	758	1917
B100922	90	985	400/690 Δ/Y	159.0	1136.0	1814	B250291	1135/1335	758	1917
B100923	110	985	400/690 Δ/Y	194.0	1450.4	1886	B250291	1135/1335	758	1917
B100924	18.5	730	400/690 Δ/Y	39.0	257.4	1063	B250291	1135/1335	758	1581
B100925	22	730	400/690 Δ/Y	44.2	297.0	1086	B250291	1135/1335	758	1581

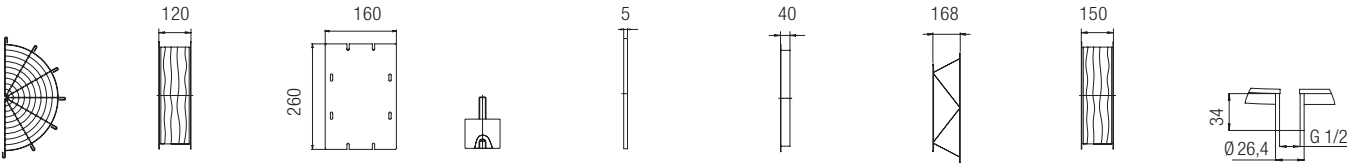
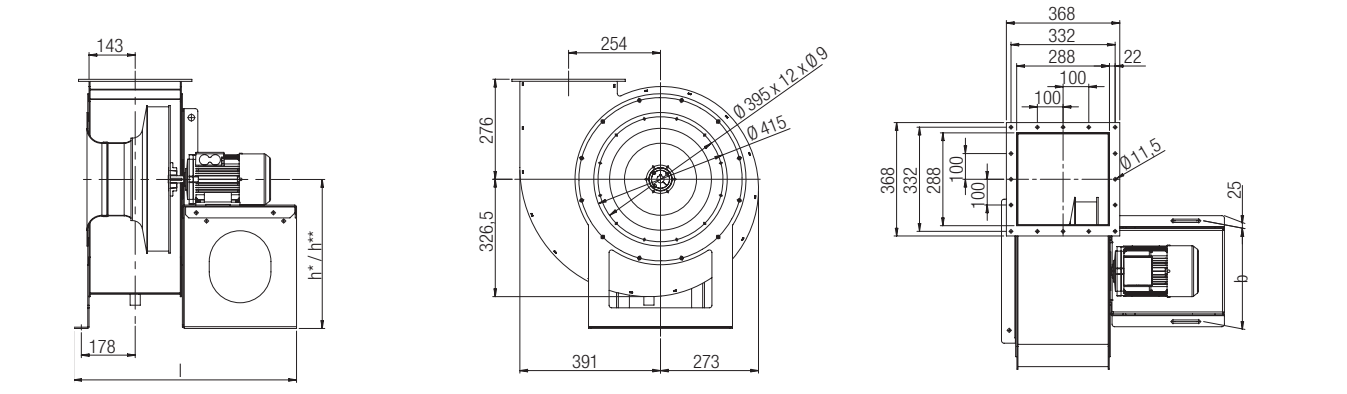
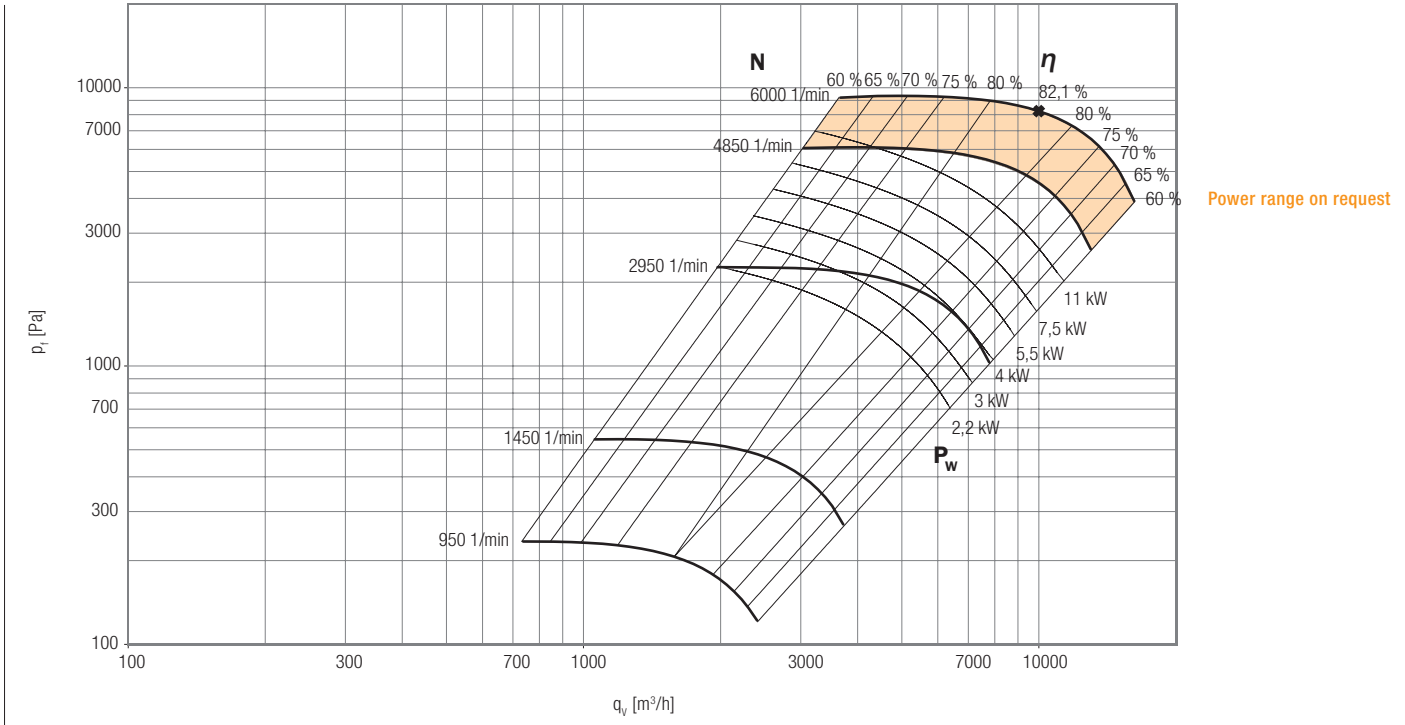
All indicated values for 400 V/50 Hz/3-..

h*: Casing position: 0°, 90°

h**: Casing position: 270°

CREM01-63-0400 Centrifugal fan

Etetec by Pollrich DLK



- Z05** Protective grill suction side
Ord. no. B151074
 - Z10** Flexible sleeve round
Ord. no. B141029
 - Z13** Inspection hatch
Ord. no. B240509
 - Z16** Rubber anti vibration mounts (see below)
 - Z18** Flange, round
Ord. no. B101444
 - Z19** Flange, square
Ord. no. B101207
 - Z45** Counter flange
Ord. no. B101414
 - Z63** Transition piece, square to round
Ord. no. B101554
 - Z81** Flexible sleeve square
Ord. no. B101280
 - Z89** Condensate drain
Ord. no. B240506
- Full specifications for accessoires, see page 122

CREM01-63-0400-B

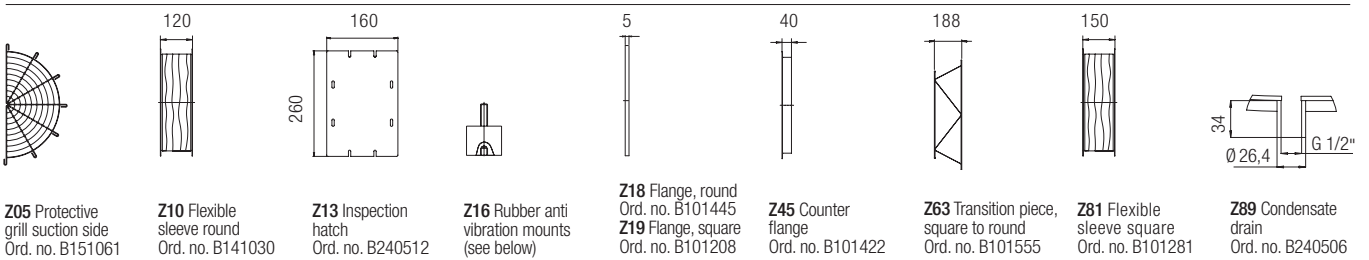
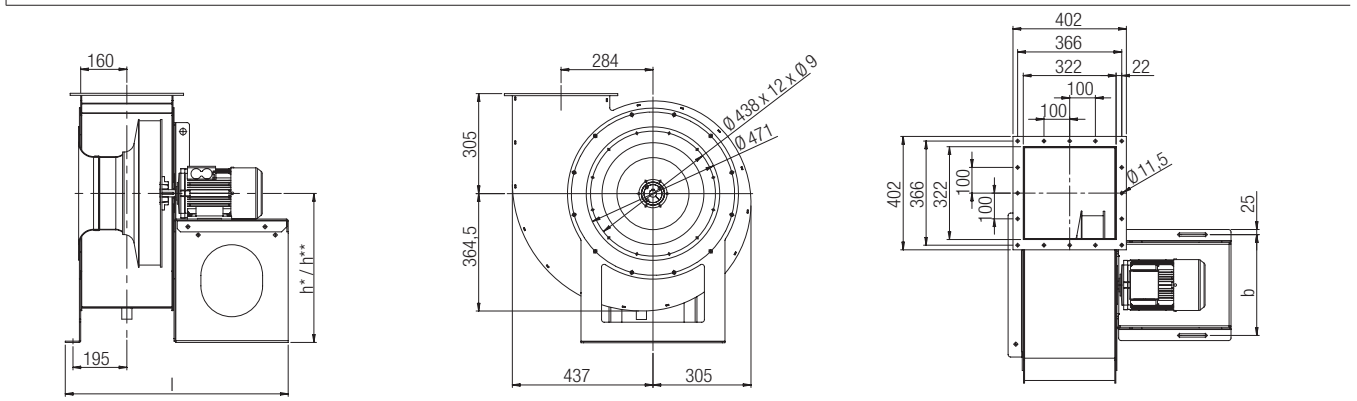
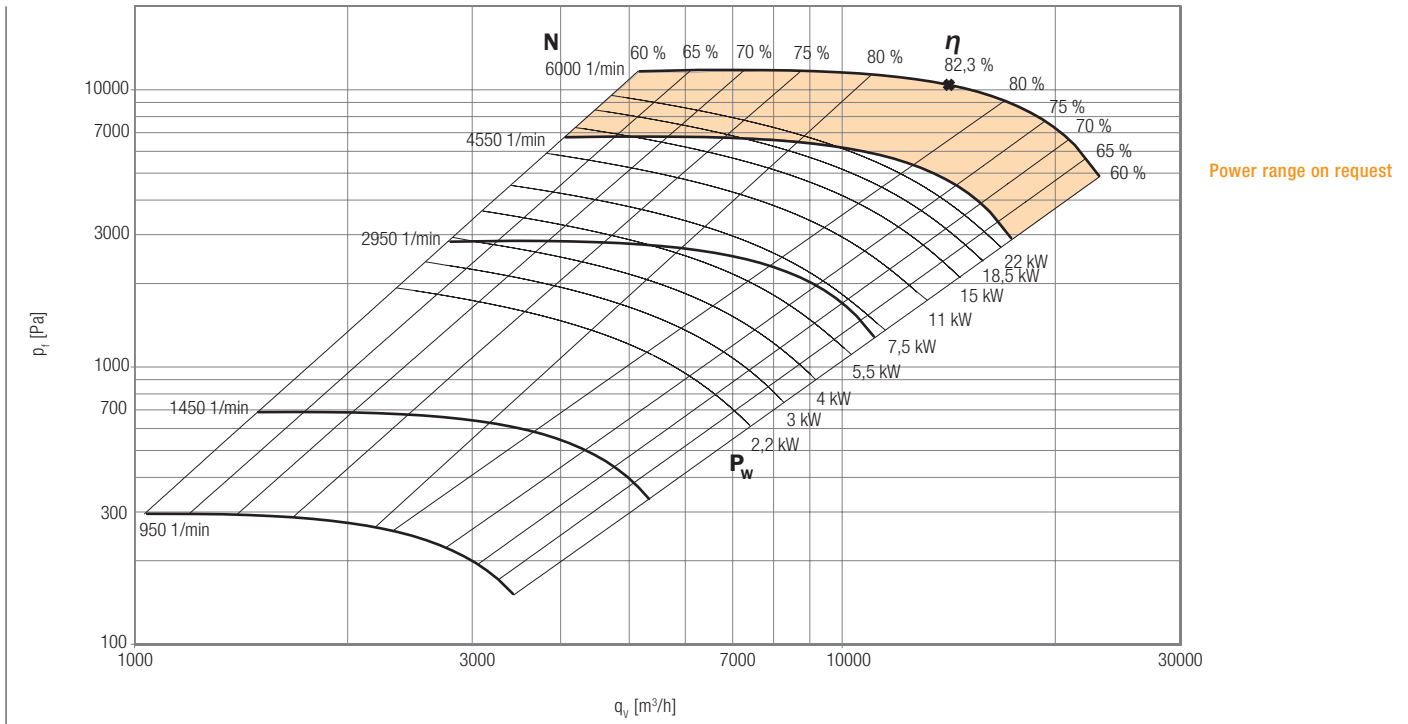
Order no. Fan	Motor power output [kW]	Speed [1/min]	Voltage [V] Connection	Nominal current [A]	Starting current [A]	Weight ca. [kg]	Order no. Z16	h^* / h^{**} [mm]	b [mm]	l [mm]
B100939	3	2891	230/400 Δ/Y	5.9	46.9	91	B149380	450/515	418	814
B100940	4	2914	400/690 Δ/Y	7.6	57.3	94	B149380	450/515	418	814
B100941	5.5	2937	400/690 Δ/Y	10.6	79.5	110	B149380	450/515	418	814
B100942	7.5	2940	400/690 Δ/Y	13.9	104.3	115	B149380	450/515	418	814
B100943	11	2930	400/690 Δ/Y	19.9	148.9	158	B148059	450/515	418	814
B100944	2.2	1440	230/400 Δ/Y	4.6	32.5	93	B149380	450/515	418	814
B100945	3	1440	230/400 Δ/Y	6.2	43.3	99	B149380	450/515	418	814

All indicated values for 400 V/50 Hz/3~.

h^* : Casing position: 0°, 90° h^{**} : Casing position: 270°

CREM01-63-0450 Centrifugal fan

Etatec by Pollrich DLK



Full specifications for accessoires, see page 122

CREM01-63-0450-B

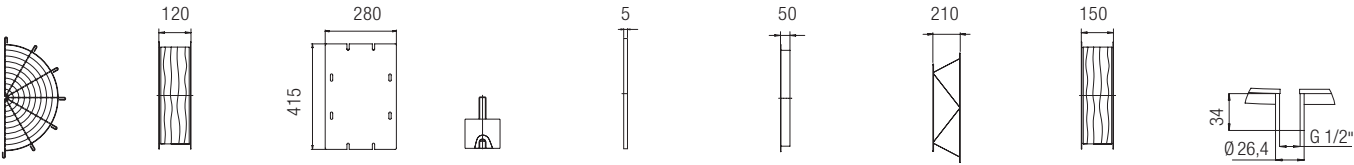
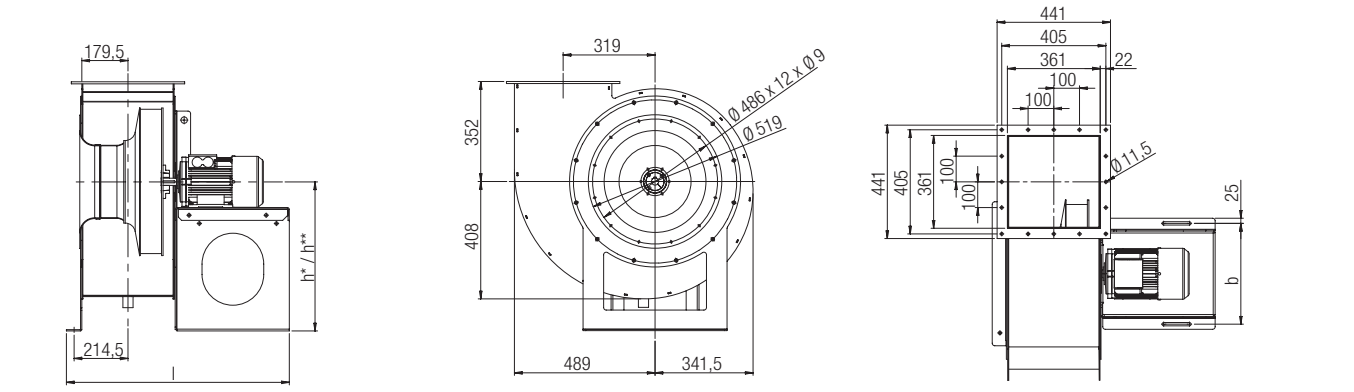
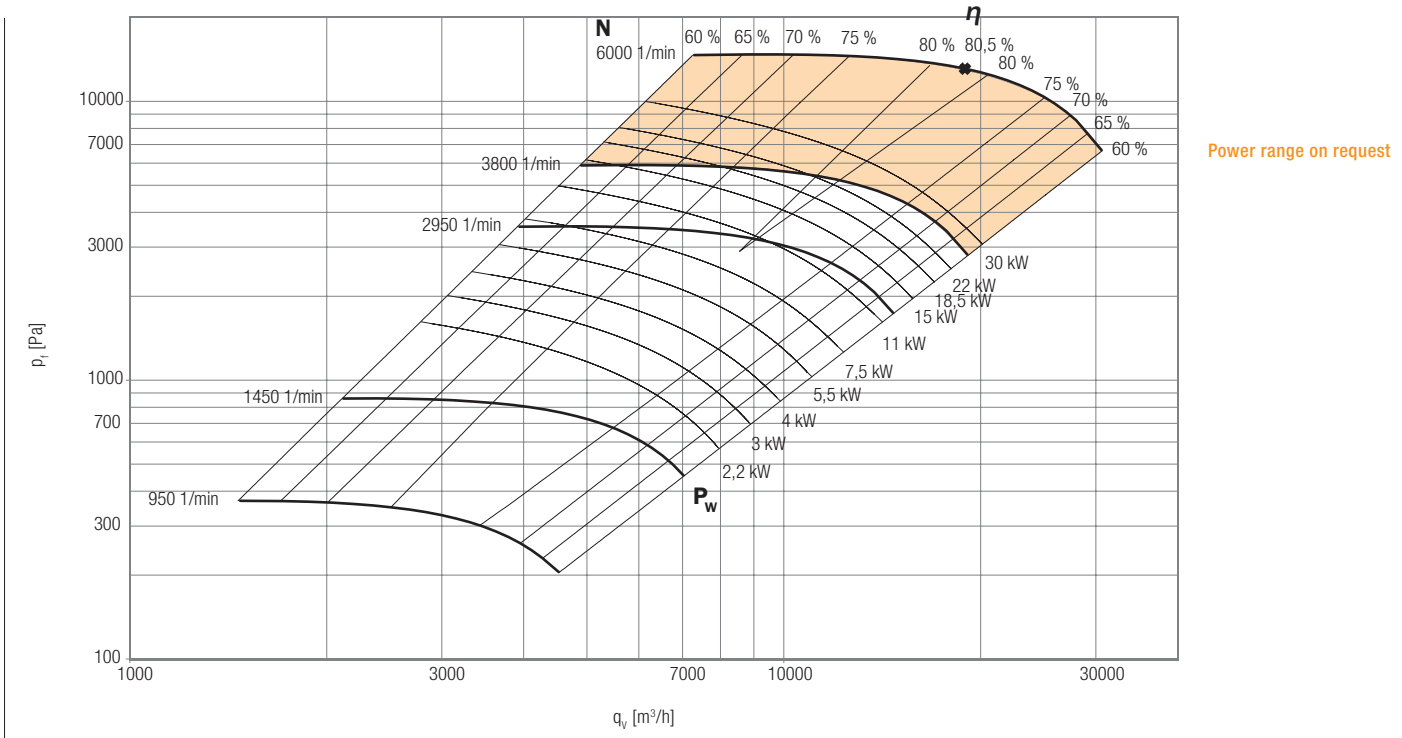
Order no. Fan	Motor power output [kW]	Speed [1/min]	Voltage [V] Connection	Nominal current [A]	Starting current [A]	Weight ca. [kg]	Order no. Z16	h* / h** [mm]	b [mm]	l [mm]
B100946	7.5	2940	400/690 Δ/Y	13.9	104.3	153	B148059	485/560	378	828
B100947	11	2930	400/690 Δ/Y	19.9	151.2	196	B149928	485/560	457	955
B100948	15	2930	400/690 Δ/Y	26.6	204.4	222	B149928	485/560	457	955
B100949	18.5	2937	400/690 Δ/Y	33.0	244.2	252	B149928	485/560	457	955
B100950	22	2940	400/690 Δ/Y	38.1	308.1	287	B149937	485/560	457	955
B100951	2.2	1440	230/400 Δ/Y	4.6	32.5	131	B148059	485/560	378	828
B100952	3	1440	230/400 Δ/Y	6.2	43.3	137	B148059	485/560	378	828
B100953	4	1445	400/690 Δ/Y	8.1	60.9	142	B148059	485/560	378	828
B100954	5.5	1455	400/690 Δ/Y	10.9	69.8	153	B148059	485/560	378	828

All indicated values for 400 V/50 Hz/3~.

h*: Casing position: 0°, 90° h**: Casing position: 270°

CREM01-63-0500 Centrifugal fan

Etetec by Pollrich DLK



- Z05** Protective grill suction side
Ord. no. B151081
- Z10** Flexible sleeve round
Ord. no. B141031
- Z13** Inspection hatch
Ord. no. B240512
- Z16** Rubber anti vibration mounts (see below)
- Z18** Flange, round
Ord. no. B101446
- Z19** Flange, square
Ord. no. B101209
- Z45** Counter flange
Ord. no. B101423
- Z63** Transition piece, square to round
Ord. no. B101556
- Z81** Flexible sleeve square
Ord. no. B101282
- Z89** Condensate drain
Ord. no. B240506

Full specifications for accessoires, see page 122

CREM01-63-0500-B

Order no. Fan	Motor power output [kW]	Speed [1/min]	Voltage [V] Connection	Nominal current [A]	Starting current [A]	Weight ca. [kg]	Order no. Z16	h* / h** [mm]	b [mm]	l [mm]
B100955	11	2930	400/690 Δ/Y	19.9	151.2	211	B149928	530/610	496	1037
B100956	15	2930	400/690 Δ/Y	26.6	204.4	237	B149928	530/610	496	1037
B100957	18.5	2937	400/690 Δ/Y	33.0	244.2	267	B149928	530/610	496	1037
B100958	22	2940	400/690 Δ/Y	38.1	308.1	302	B149937	530/610	496	1037
B100959	30	2950	400/690 Δ/Y	53.4	416.5	356	B149937	530/610	496	1037
B100960	2.2	1440	230/400 Δ/Y	4.6	32.5	146	B148059	530/610	392	872
B100961	3	1440	230/400 Δ/Y	6.2	43.3	152	B148059	530/610	392	872
B100962	4	1445	400/690 Δ/Y	8.1	60.9	157	B148059	530/610	392	872
B100963	5.5	1455	400/690 Δ/Y	10.9	69.8	168	B148059	530/610	392	872
B100964	7.5	1455	400/690 Δ/Y	14.5	101.5	179	B148059	530/610	392	872
B100965	11	1460	400/690 Δ/Y	22.1	152.5	253	B149928	530/610	496	1037

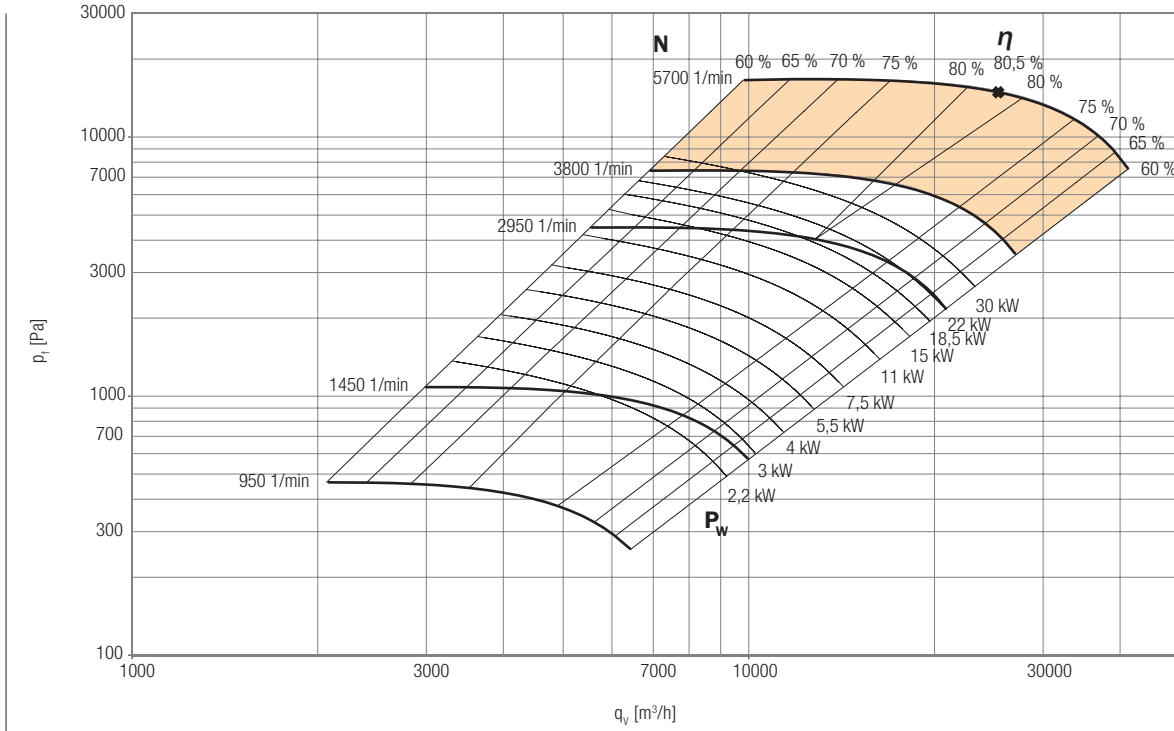
All indicated values for 400 V/50 Hz/3-..

h*: Casing position: 0°, 90°

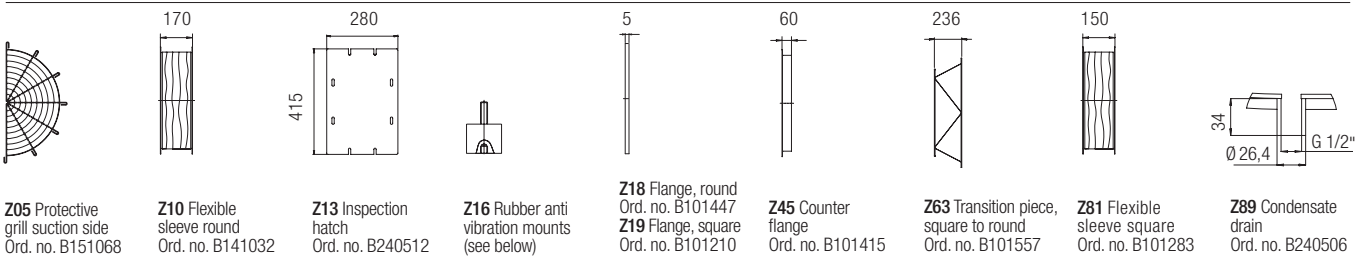
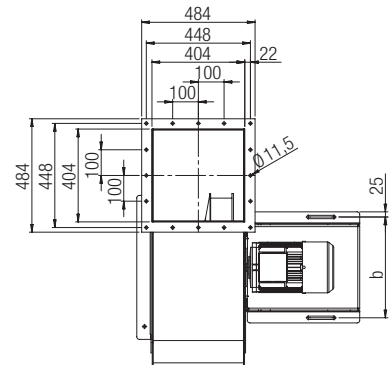
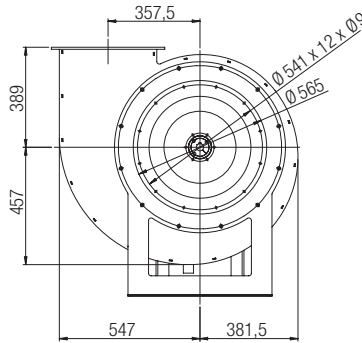
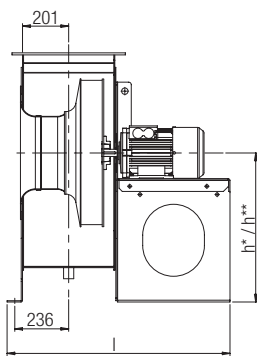
h**: Casing position: 270°

CREM01-63-0560 Centrifugal fan

Etatec by Pollrich DLK



Power range on request



Full specifications for accessoires, see page 122

CREM01-63-0560-B

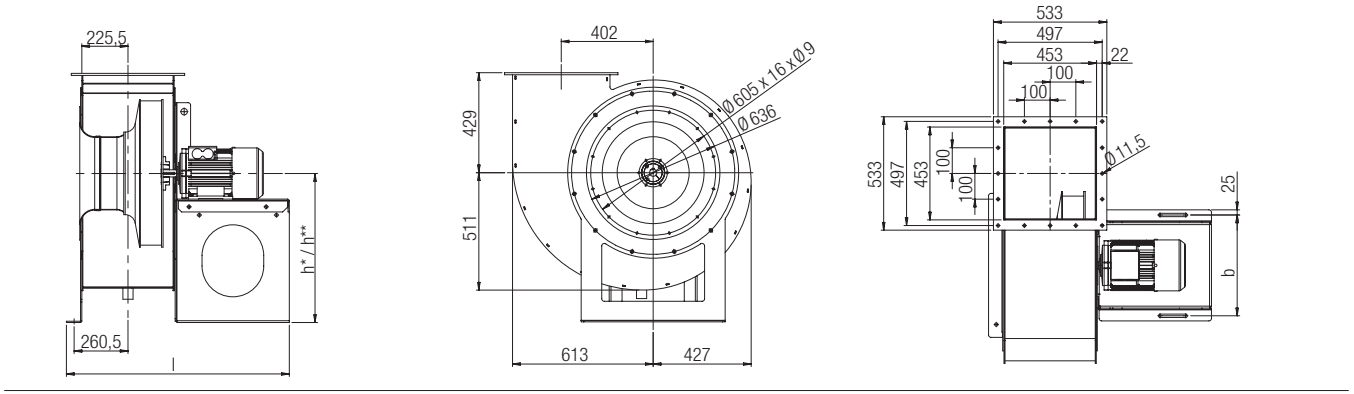
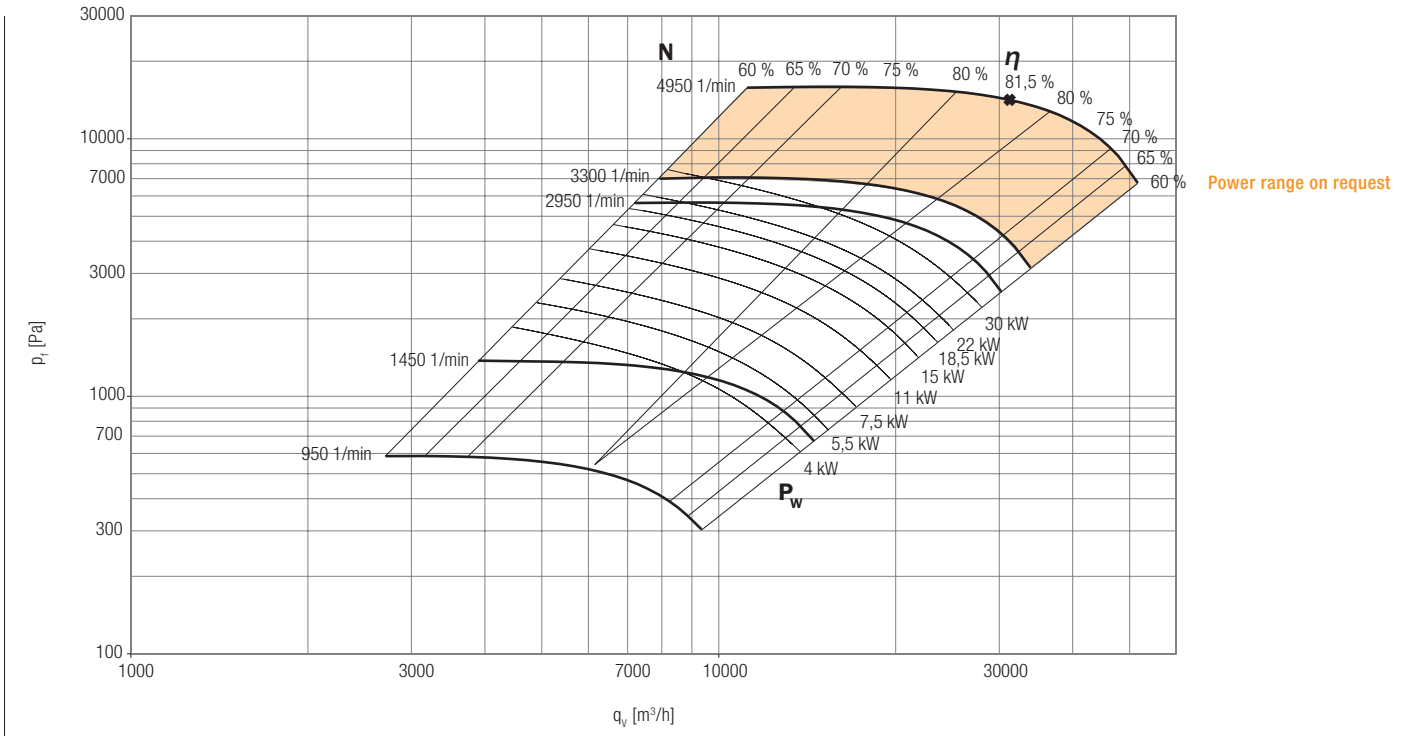
Order no. Fan	Motor power output [kW]	Speed [1/min]	Voltage [V] Connection	Nominal current [A]	Starting current [A]	Weight ca. [kg]	Order no. Z16	h^* / h^{**} [mm]	b [mm]	l [mm]
B101091	18.5	2937	400/690 Δ/Y	33.0	244.2	282	B149937	580/670	509	1080
B101092	22	2940	400/690 Δ/Y	38.1	297.2	317	B149937	580/670	509	1080
B101093	30	2950	400/690 Δ/Y	53.4	416.5	371	B149937	580/670	509	1080
B101094	2.2	1440	230/400 Δ/Y	4.6	32.5	161	B148059	580/670	392	910
B101095	3	1440	230/400 Δ/Y	6.2	43.3	167	B148059	580/670	392	910
B101096	4	1445	400/690 Δ/Y	8.1	60.9	172	B148059	580/670	392	910
B101097	5.5	1455	400/690 Δ/Y	10.9	69.8	183	B149928	580/670	392	910
B101098	7.5	1455	400/690 Δ/Y	14.5	101.5	194	B149928	580/670	392	910
B101099	11	1460	400/690 Δ/Y	22.1	152.5	268	B149928	580/670	509	1080
B101100	15	1460	400/690 Δ/Y	29.6	222.0	244	B149928	580/670	509	1080
B101101	18.5	1470	400/690 Δ/Y	32.7	255.3	300	B149937	580/670	509	1080

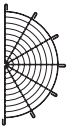
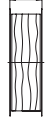
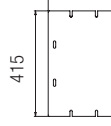







All indicated values for 400 V/50 Hz/3~.

h^* : Casing position: 0°, 90° h^{**} : Casing position: 270°

CREM01-63-0630 Centrifugal fan

Eatec by Pollrich DLK



- 
Z05 Protective grill suction side
 Ord. no. B151066
 - 
Z10 Flexible sleeve round
 Ord. no. B141033
 - 
Z13 Inspection hatch
 Ord. no. B240512
 - 
Z16 Rubber anti vibration mounts (see below)
 - 
Z18 Flange, round
 Ord. no. B101448
 - 
Z19 Flange, square
 Ord. no. B101211
 - 
Z45 Counter flange
 Ord. no. B101424
 - 
Z63 Transition piece, square to round
 Ord. no. B101558
 - 
Z81 Flexible sleeve square
 Ord. no. B101284
 - 
Z89 Condensate drain
 Ord. no. B240506
- Full specifications for accessories, see page 122

CREM01-63-0630-B

Order no. Fan	Motor power output [kW]	Speed [1/min]	Voltage [V] Connection	Nominal current [A]	Starting current [A]	Weight ca. [kg]	Order no. Z16	h^* / h^{**} [mm]	b [mm]	l [mm]
B100977	30	2950	400/690 Δ/Y	53.4	416.5	406	B149937	635/735	508	1107
B100978	4	1445	400/690 Δ/Y	8.1	60.9	207	B149928	635/735	475	1074
B100979	5.5	1455	400/690 Δ/Y	10.9	69.8	218	B149928	635/735	475	1074
B100980	7.5	1455	400/690 Δ/Y	14.5	101.5	229	B149928	635/735	475	1074
B100981	11	1460	400/690 Δ/Y	22.1	152.5	303	B149937	635/735	475	1074
B100982	15	1460	400/690 Δ/Y	29.6	222.0	279	B149937	635/735	475	1074
B100983	18.5	1470	400/690 Δ/Y	32.7	255.3	335	B149937	635/735	475	1074
B100984	22	1470	400/690 Δ/Y	38.4	288.2	349	B149937	635/735	475	1074

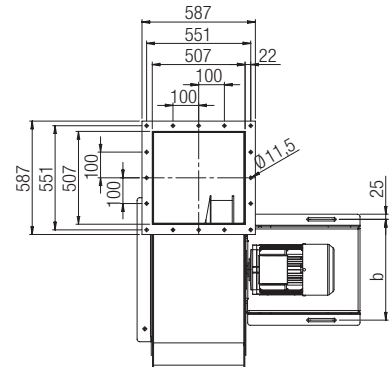
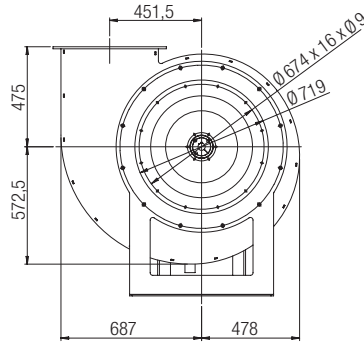
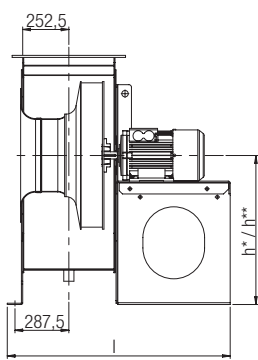
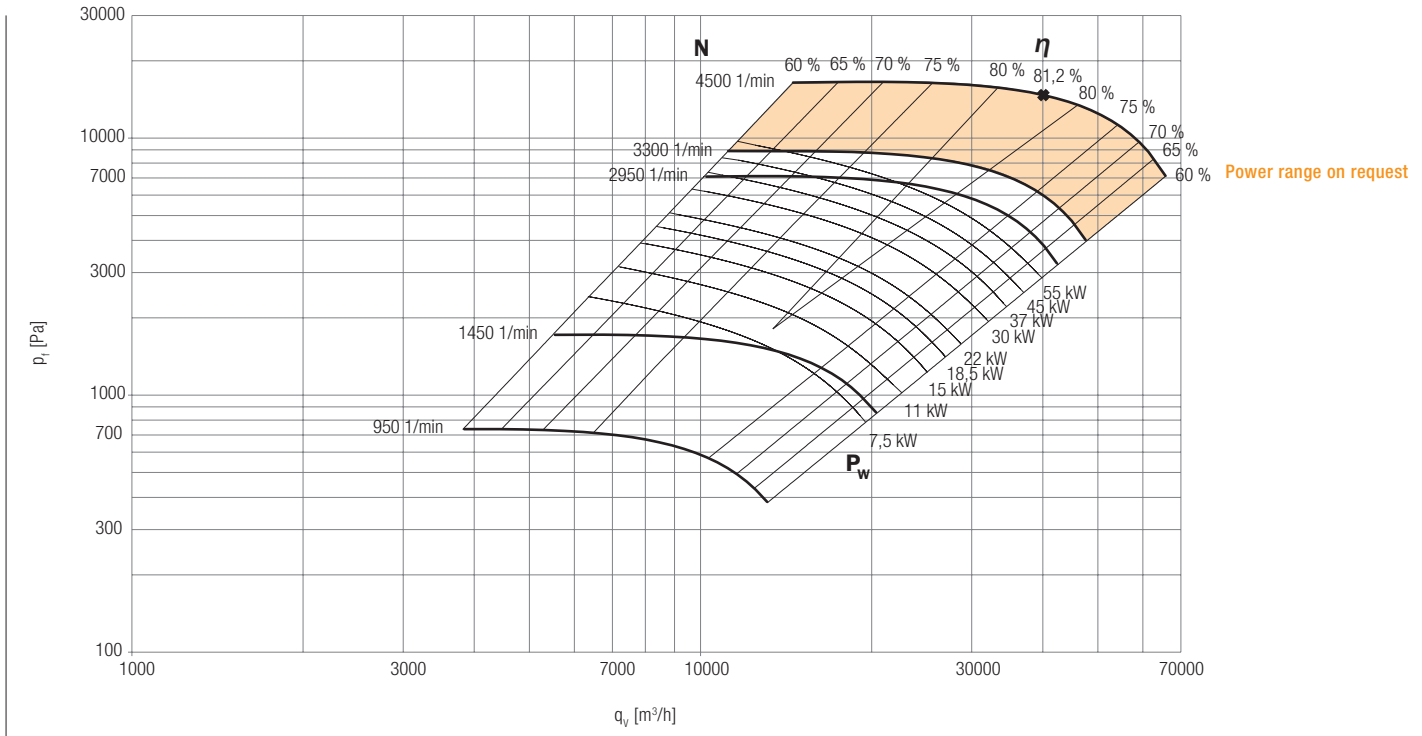
All indicated values for 400 V/50 Hz/3~.

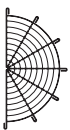
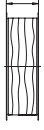
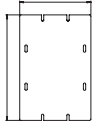




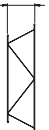


h^* : Casing position: 0°, 90°

h^{**} : Casing position: 270°

CREM01-63-0710 Centrifugal fan

Etatec by Pollrich DLK



- 
Z05 Protective grill suction side
 Ord. no. B151088
 - 
Z10 Flexible sleeve round
 Ord. no. B141035
 - 
Z13 Inspection hatch
 Ord. no. B240512
 - 
Z16 Rubber anti vibration mounts (see below)
 - 
Z18 Flange, round
 Ord. no. B101449
 - 
Z19 Flange, square
 Ord. no. B101254
 - 
Z45 Counter flange
 Ord. no. B101425
 - 
Z63 Transition piece, square to round
 Ord. no. B101559
 - 
Z81 Flexible sleeve square
 Ord. no. B101326
 - 
Z89 Condensate drain
 Ord. no. B240506
- Full specifications for accessoires, see page 122

CREM01-63-0710-B

Order no. Fan	Motor power output [kW]	Speed [1/min]	Voltage [V] Connection	Nominal current [A]	Starting current [A]	Weight ca. [kg]	Order no. Z16	h* / h** [mm]	b [mm]	l [mm]
B100985	55	2965	400/690 Δ/Y	93.6	664.6	602	B149948	695/810	620	1273
B100986	7.5	1455	400/690 Δ/Y	14.5	101.5	284	B149937	695/810	475	1128
B100987	11	1460	400/690 Δ/Y	22.1	152.5	358	B149937	695/810	475	1128
B100988	15	1460	400/690 Δ/Y	29.6	222.0	334	B149937	695/810	475	1128
B100989	18.5	1470	400/690 Δ/Y	32.7	255.3	390	B149937	695/810	475	1128
B100990	22	1470	400/690 Δ/Y	38.4	288.2	404	B149937	695/810	475	1128
B100991	30	1470	400/690 Δ/Y	54.4	386.2	490	B149948	695/810	620	1273
B100992	37	1480	400/690 Δ/Y	66.2	496.5	530	B149948	695/810	620	1273
B100993	45	1480	400/690 Δ/Y	80.1	608.8	560	B149948	695/810	620	1273

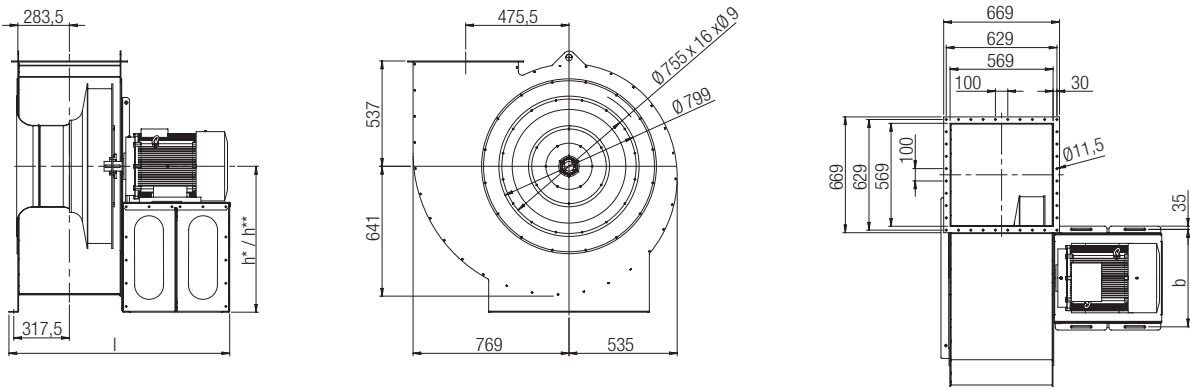
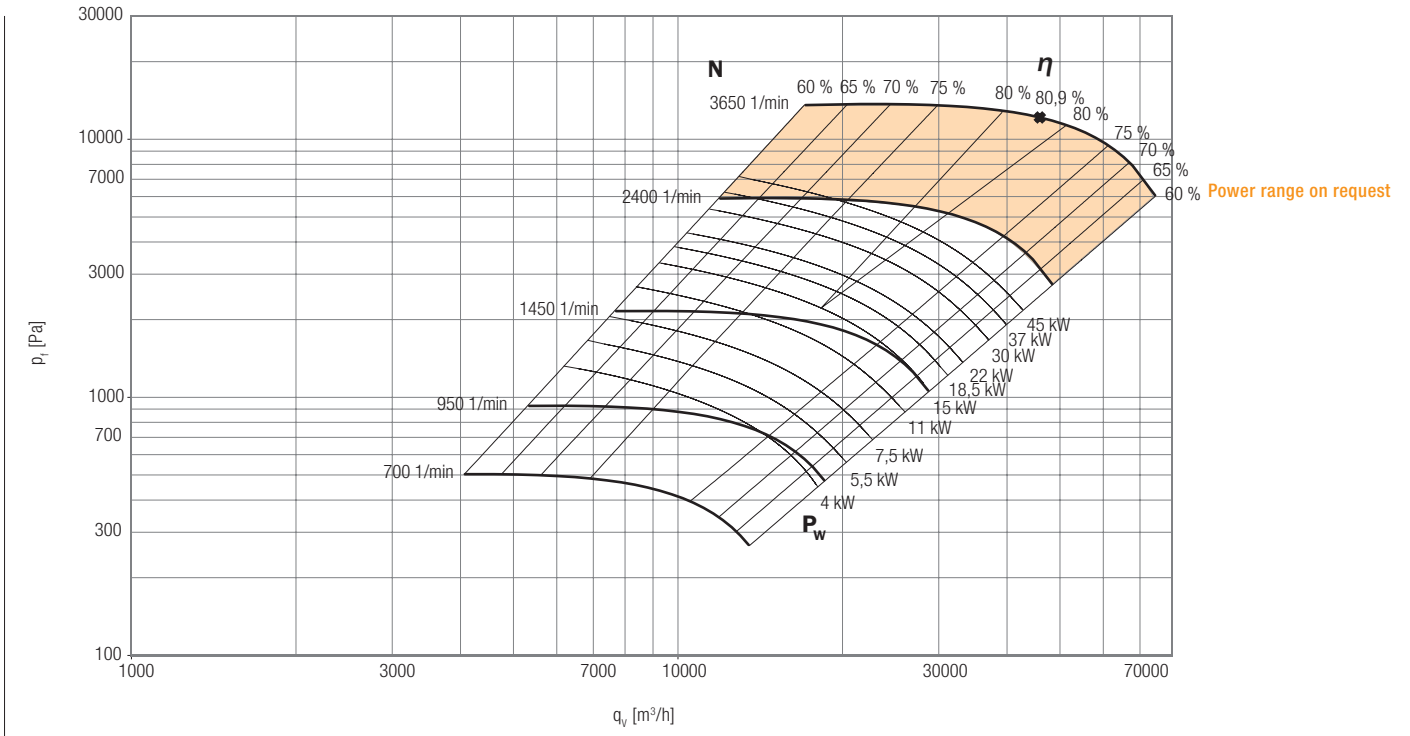
All indicated values for 400 V/50 Hz/3~.

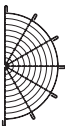

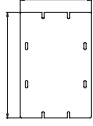



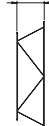

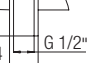
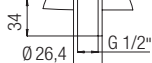
h*: Casing position: 0°, 90°

h**: Casing position: 270°

CREM01-63-0800 Centrifugal fan

Etetec by Pollrich DLK



- 
Z05 Protective grill suction side
 Ord. no. B151072
- 
Z10 Flexible sleeve round
 Ord. no. B141036
- 
Z13 Inspection hatch
 Ord. no. B240512
- 
Z16 Rubber anti vibration mounts (see below)
- 
Z18 Flange, round
 Ord. no. B101450
- 
Z19 Flange, square
 Ord. no. B101255
- 
Z45 Counter flange
 Ord. no. B101426
- 
Z63 Transition piece, square to round
 Ord. no. B101560
- 
Z81 Flexible sleeve square
 Ord. no. B101327
- 
Z89 Condensate drain
 Ord. no. B240506

Full specifications for accessoires, see page 122

CREM01-63-0800-B

Order no. Fan	Motor power output [kW]	Speed [1/min]	Voltage [V] Connection	Nominal current [A]	Starting current [A]	Weight ca. [kg]	Order no. Z16	h^* / h^{**} [mm]	b [mm]	l [mm]
B100994	15	1460	400/690 Δ/Y	29.6	222.0	404	B149937	765/890	500	1186
B100995	18.5	1470	400/690 Δ/Y	32.7	265.2	460	B149948	765/890	500	1222
B100996	22	1470	400/690 Δ/Y	38.4	301.5	474	B149948	765/890	500	1222
B100997	30	1470	400/690 Δ/Y	54.4	386.2	560	B149948	765/890	570	1313
B100998	37	1480	400/690 Δ/Y	66.2	496.5	600	B149948	765/890	570	1353
B100999	45	1480	400/690 Δ/Y	80.1	608.8	630	B149948	765/890	570	1353
B101000	4	965	400/690 Δ/Y	9.0	44.8	343	B149937	765/890	500	1034
B101001	5.5	965	400/690 Δ/Y	12.0	66.0	354	B149937	765/890	500	1034
B101002	7.5	970	400/690 Δ/Y	15.9	103.4	390	B149937	765/890	500	1186
B101003	11	970	400/690 Δ/Y	22.1	171.8	439	B149937	765/890	500	1186
B101004	15	975	400/690 Δ/Y	29.8	190.7	488	B149948	765/890	500	1222

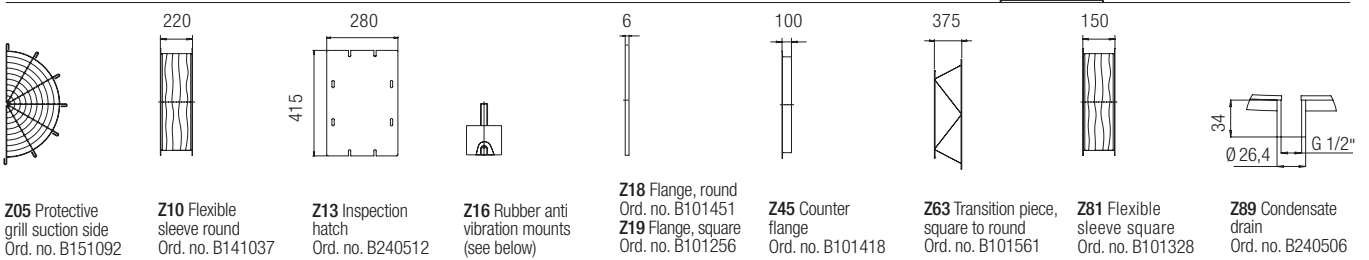
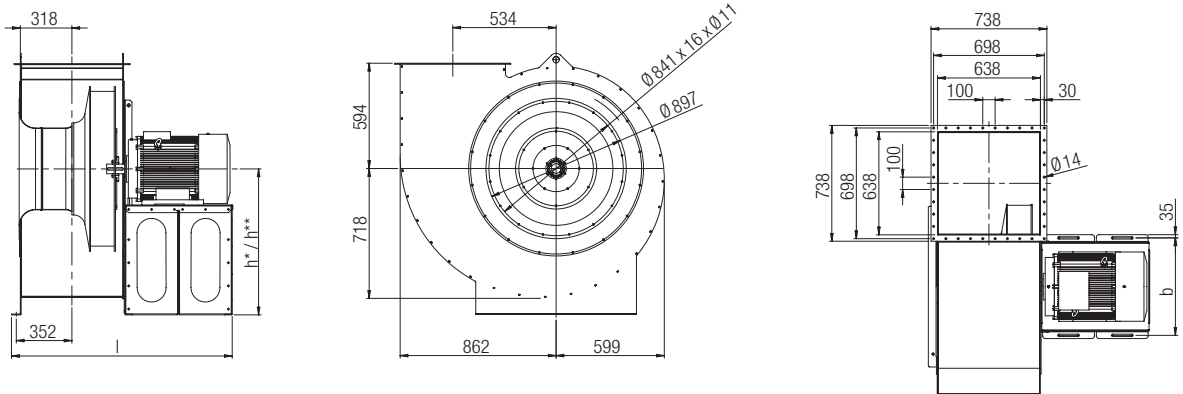
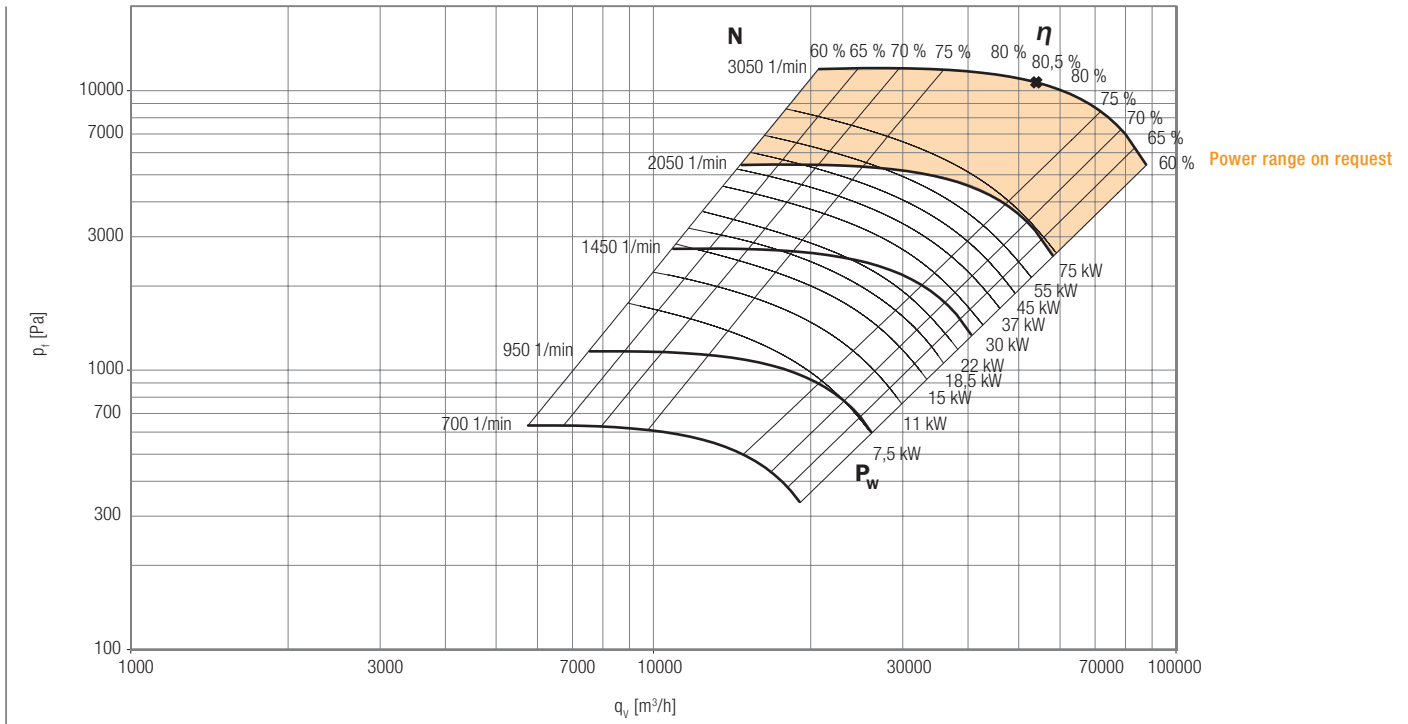
All indicated values for 400 V/50 Hz/3~.

h^* : Casing position: 0°, 90°

h^{**} : Casing position: 270°

CREM01-63-0900 Centrifugal fan

Etatec by Pollrich DLK



Full specifications for accessoires, see page 122

CREM01-63-0900-B

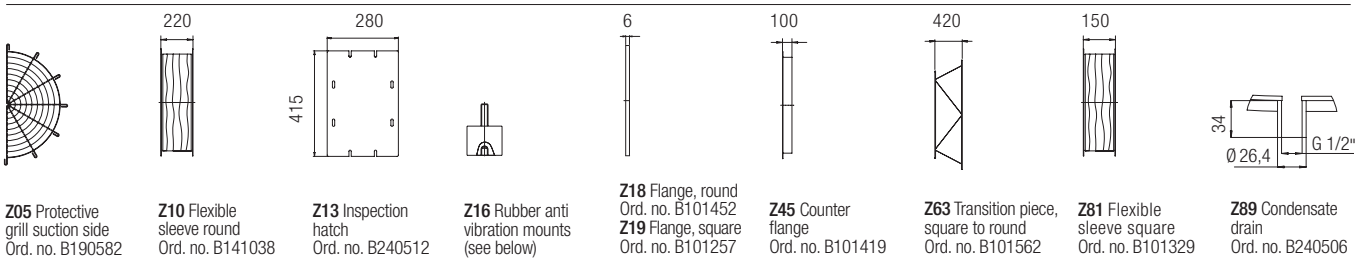
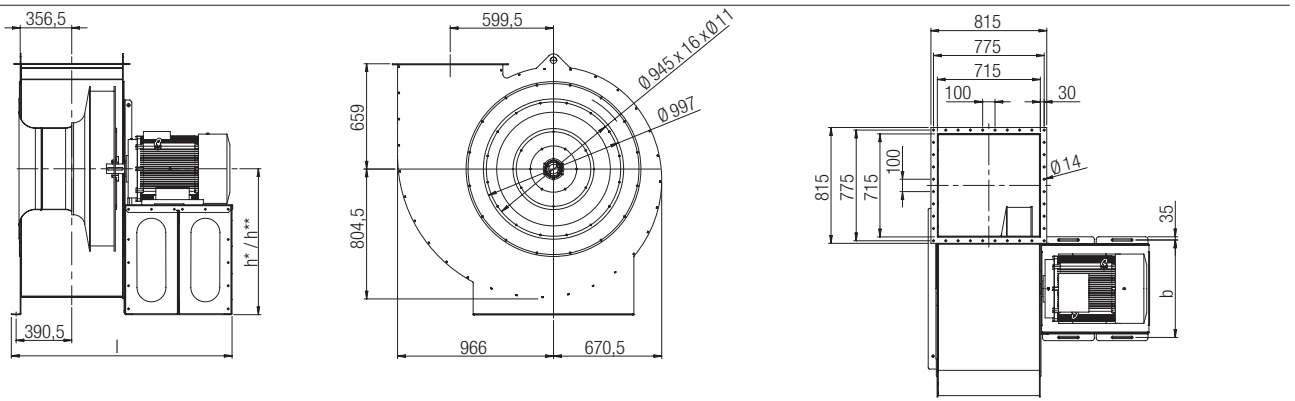
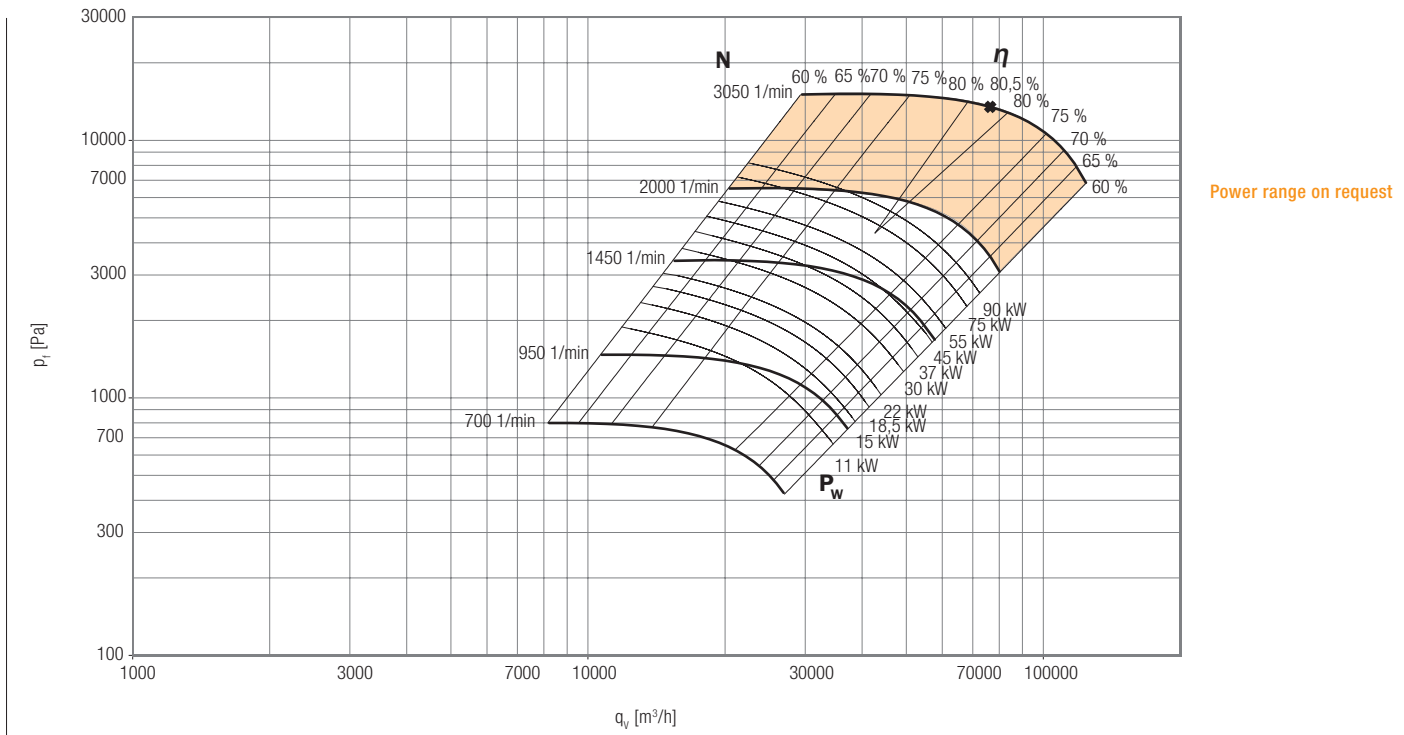
Order no. Fan	Motor power output [kW]	Speed [1/min]	Voltage [V] Connection	Nominal current [A]	Starting current [A]	Weight ca. [kg]	Order no. Z16	h^* / h^{**} [mm]	b [mm]	l [mm]
B101005	22	1470	400/690 Δ/Y	38.4	301.5	594	B149948	840/985	513	1287
B101006	30	1470	400/690 Δ/Y	54.4	386.2	680	B149948	840/985	513	1378
B101007	37	1480	400/690 Δ/Y	66.2	496.5	720	B149948	840/985	653.4	1415
B101008	45	1480	400/690 Δ/Y	80.1	608.8	750	B149948	840/985	653.4	1415
B101009	55	1480	400/690 Δ/Y	96.7	711.8	805	B149948	840/985	653.4	1476
B101010	75	1480	400/690 Δ/Y	131.0	1003.2	925	B250291	840/985	653.4	1548
B101011	7.5	970	400/690 Δ/Y	15.9	103.4	510	B149948	840/985	513	1251
B101012	11	970	400/690 Δ/Y	22.1	171.8	559	B149948	840/985	513	1251
B101013	15	975	400/690 Δ/Y	29.8	190.7	608	B149948	840/985	513	1287
B101014	18.5	980	400/690 Δ/Y	35.7	254.8	610	B149948	840/985	513	1378
B101015	22	980	400/690 Δ/Y	41.6	294.0	638	B149948	840/985	513	1378

All indicated values for 400 V/50 Hz/3~.

h^* : Casing position: 0°, 90° h^{**} : Casing position: 270°

CREM01-63-1000 Centrifugal fan

Eatec by Pollrich DLK



- Z05** Protective grill suction side
Ord. no. B190582
- Z10** Flexible sleeve round
Ord. no. B141038
- Z13** Inspection hatch
Ord. no. B240512
- Z16** Rubber anti vibration mounts (see below)
- Z18** Flange, round
Ord. no. B101452
- Z19** Flange, square
Ord. no. B101257
- Z45** Counter flange
Ord. no. B101419
- Z63** Transition piece, square to round
Ord. no. B101562
- Z81** Flexible sleeve square
Ord. no. B101329
- Z89** Condensate drain
Ord. no. B240506

Full specifications for accessories, see page 122

CREM01-63-1000-B

Order no. Fan	Motor power output [kW]	Speed [1/min]	Voltage [V] Connection	Nominal current [A]	Starting current [A]	Weight ca. [kg]	Order no. Z16	h* / h** [mm]	b [mm]	l [mm]
B101016	37	1480	400/690 Δ/Y	66.2	496.5	840	B149948	925/1085	714.4	1495
B101017	45	1480	400/690 Δ/Y	80.1	608.8	870	B149948	925/1085	714.4	1495
B101018	55	1480	400/690 Δ/Y	96.7	711.8	925	B250291	925/1085	714.4	1556
B101019	75	1480	400/690 Δ/Y	131.0	1003.2	1045	B250291	925/1085	714.4	1628
B101020	90	1480	400/690 Δ/Y	157.0	1185.0	1141	B250291	925/1085	714.4	1628
B101021	15	975	400/690 Δ/Y	29.8	190.7	728	B149948	925/1085	520	1364
B101022	18.5	980	400/690 Δ/Y	35.7	254.8	730	B149948	925/1085	520	1455
B101023	22	980	400/690 Δ/Y	41.6	294.0	758	B149948	925/1085	520	1455
B101024	30	980	400/690 Δ/Y	56.2	365.3	826	B149948	925/1085	714.4	1495
B101025	37	980	400/690 Δ/Y	66.9	464.4	910	B149948	925/1085	714.4	1556
B101026	11	730	400/690 Δ/Y	23.4	142.8	690	B149948	925/1085	520	1364

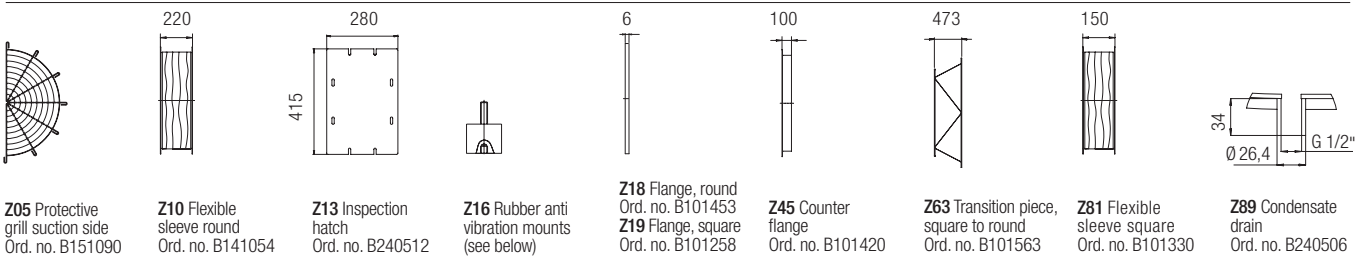
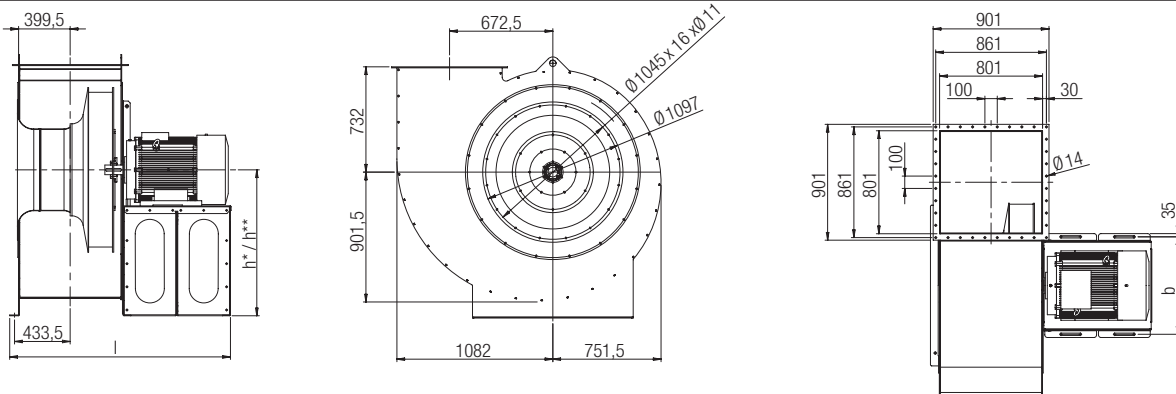
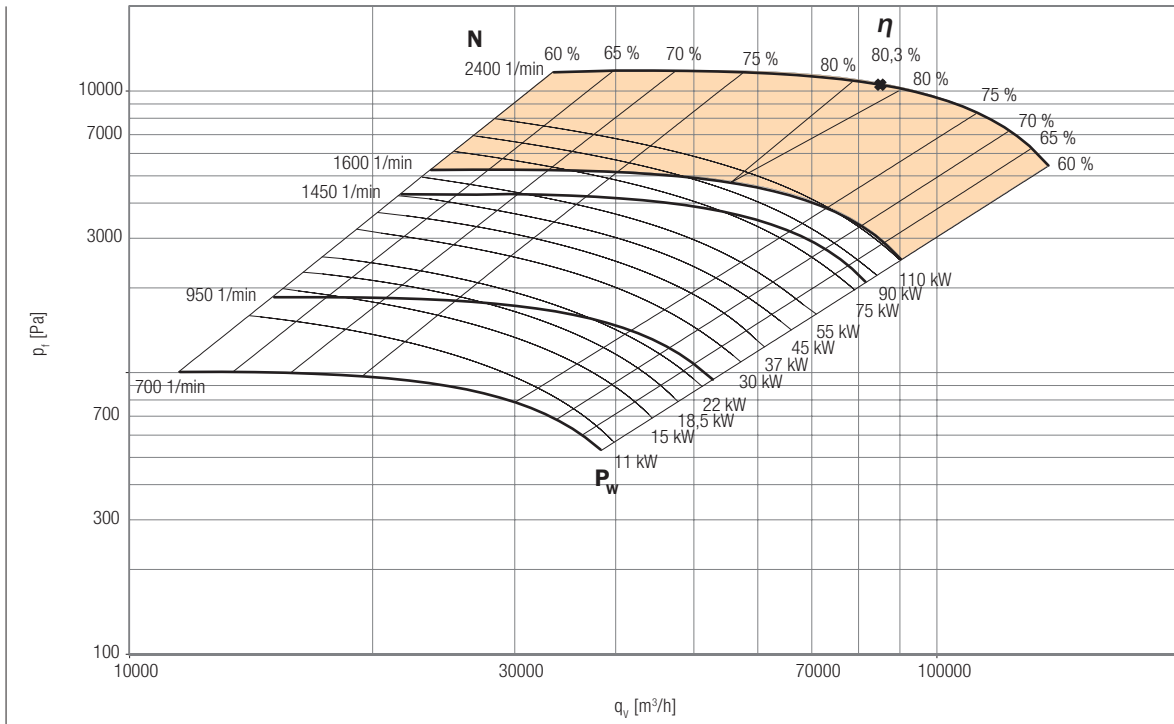
All indicated values for 400 V/50 Hz/3~.

h*: Casing position: 0°, 90°

h**: Casing position: 270°

CREM01-63-1120 Centrifugal fan

Etatec by Pollrich DLK



Full specifications for accessoires, see page 122

CREM01-63-1120-B

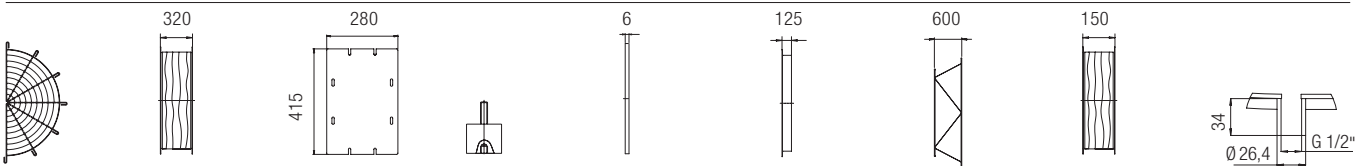
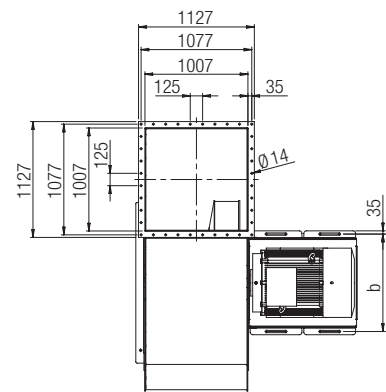
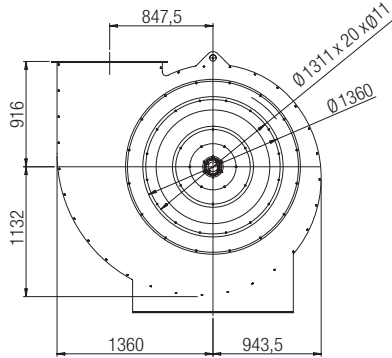
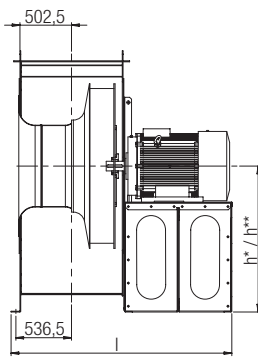
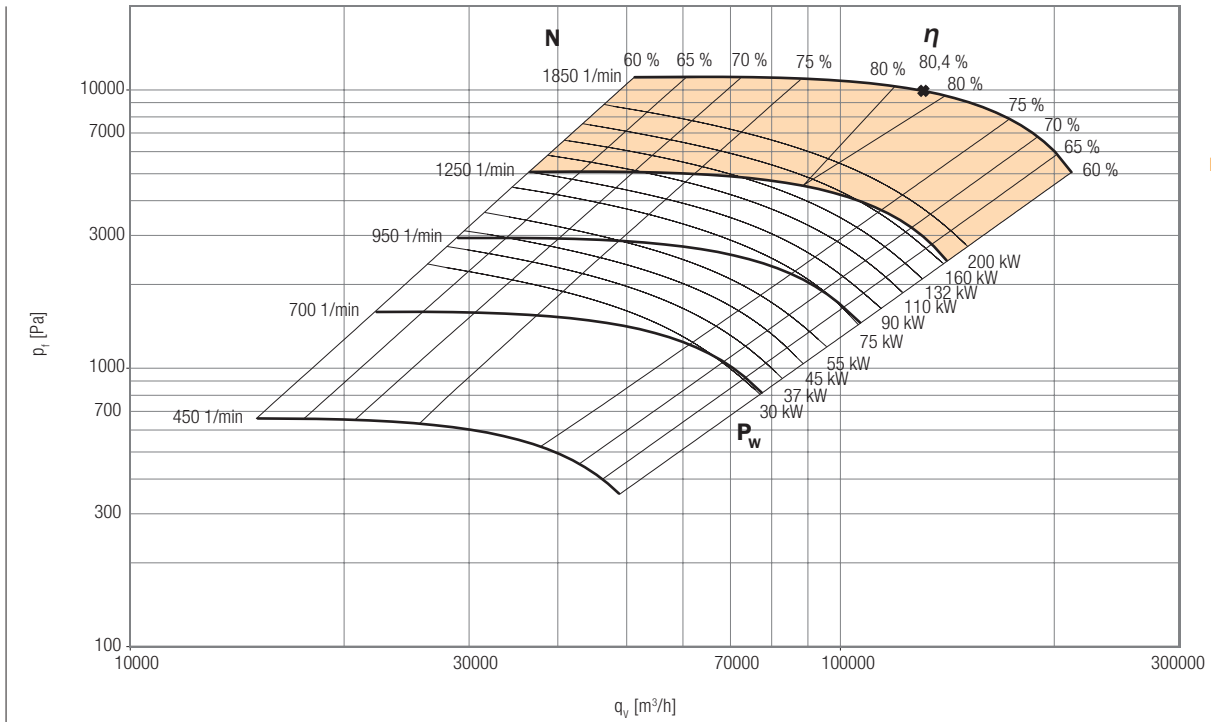
Order no. Fan	Motor power output [kW]	Speed [1/min]	Voltage [V] Connection	Nominal current [A]	Starting current [A]	Weight ca. [kg]	Order no. Z16	h* / h** [mm]	b [mm]	l [mm]
B101027	75	1480	400/690 Δ/Y	131.0	1003.2	1135	B250291	1025/1205	786.6	1731
B101028	90	1480	400/690 Δ/Y	157.0	1185.0	1231	B250291	1025/1205	786.6	1731
B101029	119	1485	400/690 Δ/Y	191.0	1356.1	1570	B250291	1025/1205	786.6	1934
B101030	18.5	980	400/690 Δ/Y	35.7	254.8	820	B149948	1025/1205	560	1558
B101031	22	980	400/690 Δ/Y	41.6	294.0	848	B149948	1025/1205	560	1558
B101032	30	980	400/690 Δ/Y	56.2	365.3	916	B149948	1025/1205	560	1598
B101033	37	980	400/690 Δ/Y	66.9	464.4	1000	B250291	1025/1205	786.6	1659
B101034	45	980	400/690 Δ/Y	80.4	570.5	1110	B250291	1025/1205	786.6	1731
B101035	55	980	400/690 Δ/Y	96.6	704.3	1165	B250291	1025/1205	786.6	1731
B101036	75	985	400/690 Δ/Y	132.1	978.2	1535	B250291	1025/1205	786.6	1934
B101037	11	730	400/690 Δ/Y	23.4	142.8	780	B149948	1025/1205	560	1467
B101038	15	730	400/690 Δ/Y	32.1	213.8	848	B149948	1025/1205	560	1558

All indicated values for 400 V/50 Hz/3~.

h*: Casing position: 0°, 90° h**: Casing position: 270°

CREM01-63-1400 Centrifugal fan

Etatec by Pollrich DLK



Z05 Protective grill suction side
Ord. no. B151082

Z10 Flexible sleeve round
Ord. no. B141026

Z13 Inspection hatch
Ord. no. B240512

Z16 Rubber anti vibration mounts (see below)

Z18 Flange, round
Ord. no. B101455

Z19 Flange, square
Ord. no. B101260

Z45 Counter flange
Ord. no. B101427

Z63 Transition piece, square to round
Ord. no. B101565

Z81 Flexible sleeve square
Ord. no. B101332

Z89 Condensate drain
Ord. no. B240506

Full specifications for accessoires, see page 122

CREM01-63-1400-B

Order no. Fan	Motor power output [kW]	Speed [1/min]	Voltage [V] Connection	Nominal current [A]	Starting current [A]	Weight ca. [kg]	Order no. Z16	h* / h** [mm]	b [mm]	l [mm]
B101051	200	1485	400/690 Δ/Y	341.0	2591.6	2160	B250294	1255/1480	760	2125
B101052	75	985	400/690 Δ/Y	132.1	978.2	1850	B250291	1255/1480	760	2125
B101053	90	985	400/690 Δ/Y	159.0	1136.0	1928	B250291	1255/1480	760	2125
B101054	110	985	400/690 Δ/Y	194.0	1450.4	2000	B250294	1255/1480	760	2125
B101055	132	985	400/690 Δ/Y	229.0	1755.6	2120	B250294	1255/1480	760	2125
B101056	160	990	400/690 Δ/Y	274.0	2105.2	2485	B250294	1255/1480	860	2417
B101057	200	990	400/690 Δ/Y	345.0	2691.0	2535	B250294	1255/1480	860	2417
B101058	30	735	400/690 Δ/Y	60.2	401.3	1303	B250291	1255/1480	760	1850
B101059	37	735	400/690 Δ/Y	72.6	488.4	1407	B250291	1255/1480	760	1922
B101060	45	735	400/690 Δ/Y	88.0	589.4	1473	B250291	1255/1480	760	1922
B101061	55	735	400/690 Δ/Y	104.0	693.0	1835	B250291	1255/1480	760	2125
B101062	75	735	400/690 Δ/Y	141.0	943.8	1935	B250291	1255/1480	760	2125
B101063	90	735	400/690 Δ/Y	167.0	1115.4	1990	B250291	1255/1480	760	2125

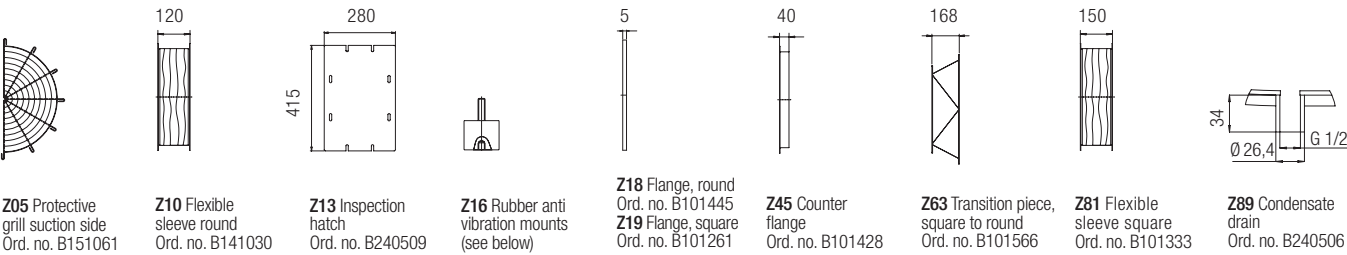
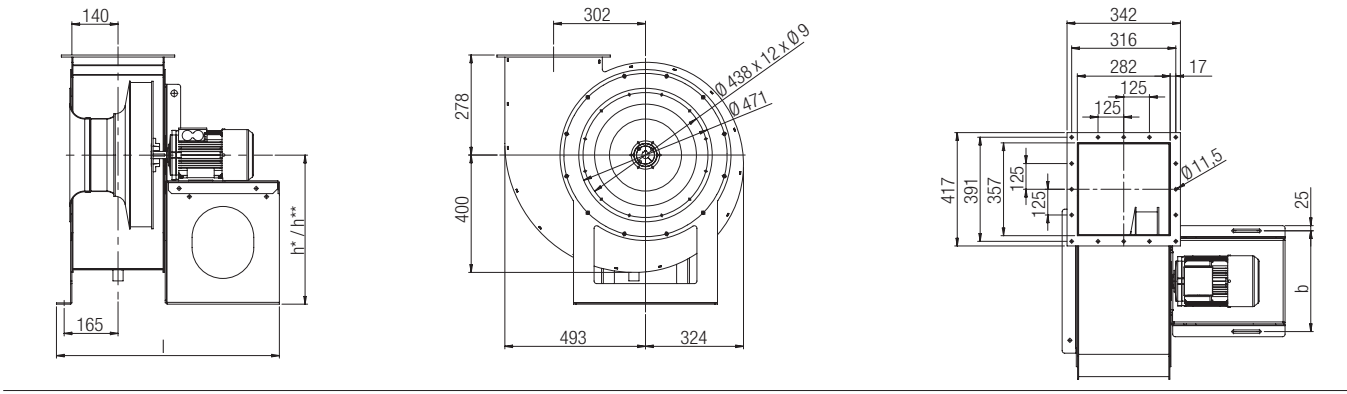
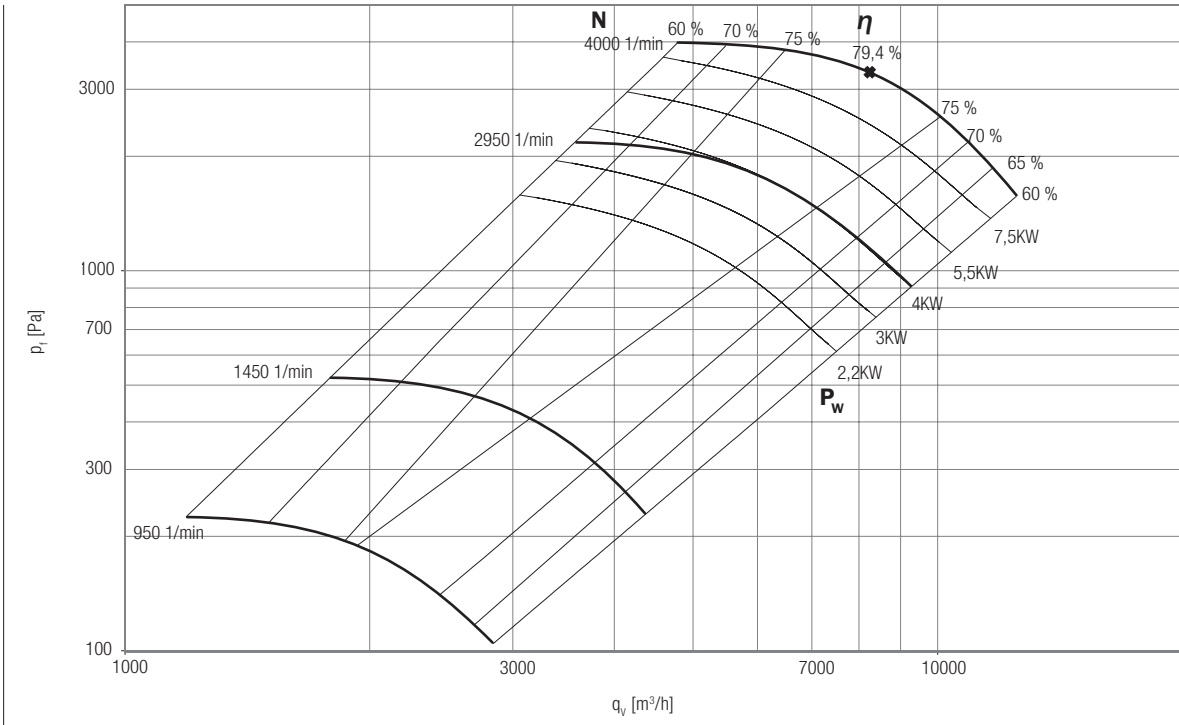
All indicated values for 400 V/50 Hz/3~.

h*: Casing position: 0°, 90°

h**: Casing position: 270°

CREM01-71-0400 Centrifugal fan

Etatec by Pollrich DLK



Full specifications for accessoires, see page 122

CREM01-71-0400-B

Order no. Fan	Motor power output [kW]	Speed [1/min]	Voltage [V] Connection	Nominal current [A]	Starting current [A]	Weight ca. [kg]	Order no. Z16	h^* / h^{**} [mm]	b [mm]	l [mm]
B101064	3	2891	230/400 Δ/Y	5.8	46.8	91	B149380	520/615	418	808
B101065	4	2914	400/690 Δ/Y	7.6	57.3	94	B149380	520/615	418	808
B101066	5.5	2937	400/690 Δ/Y	10.6	79.5	110	B149380	520/615	418	808
B101067	7.5	2940	400/690 Δ/Y	13.9	104.2	115	B149380	520/615	418	808
B101068	11	2930	400/690 Δ/Y	19.8	150.8	158	B148059	520/615	418	808
B101069	2.2	1440	230/400 Δ/Y	4.6	32.4	93	B149380	520/615	418	808
B101070	3	1440	230/400 Δ/Y	6.1	43.2	99	B149380	520/615	418	808

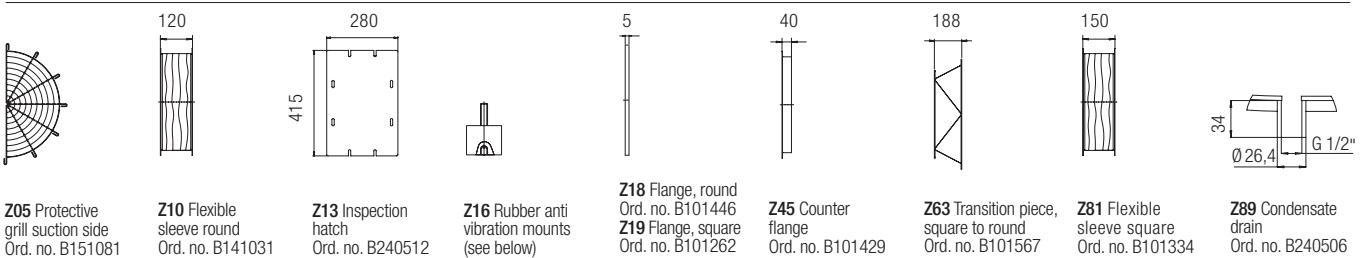
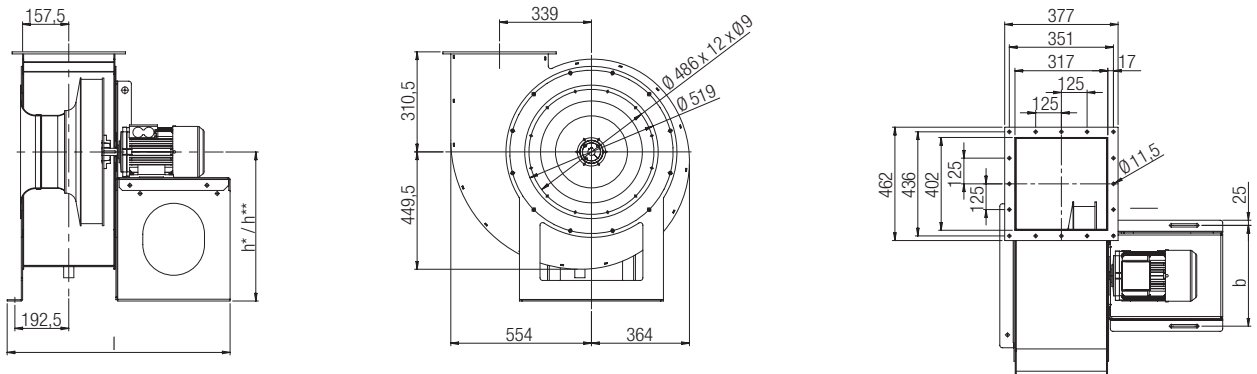
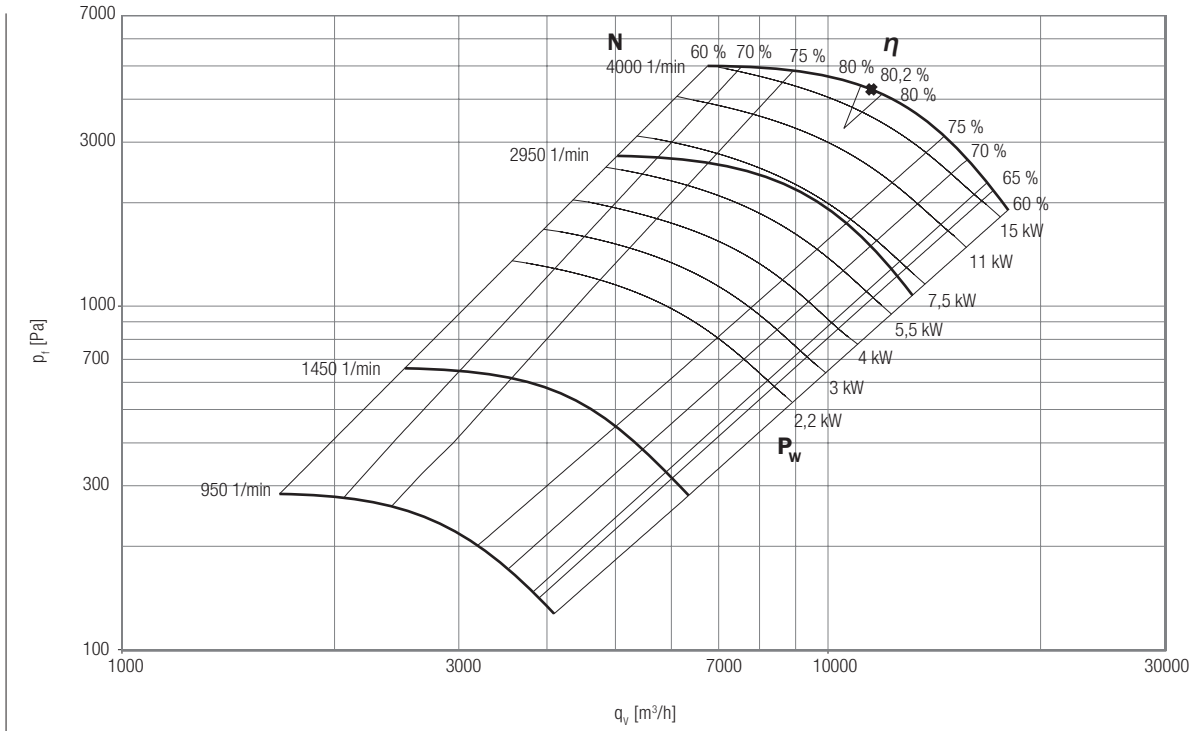
All indicated values for 400 V/50 Hz/3~.

h^* : Casing position: 0°, 90°

h^{**} : Casing position: 270°

CREM01-71-0450 Centrifugal fan

Etatec by Pollrich DLK



Full specifications for accessoires, see page 122

CREM01-71-0450-B

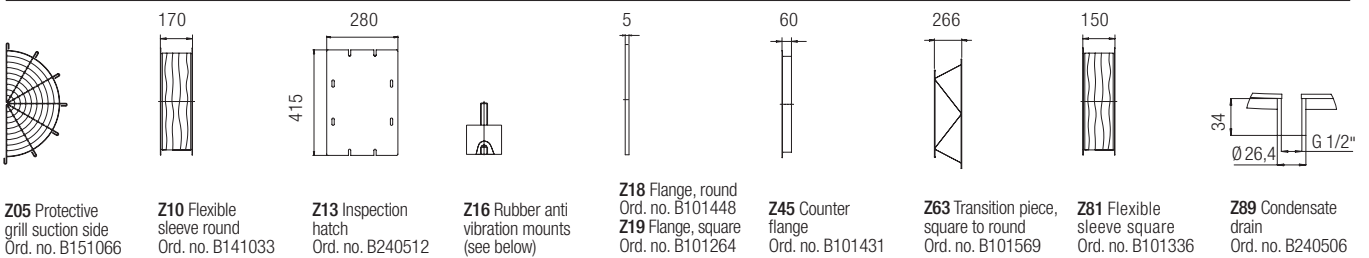
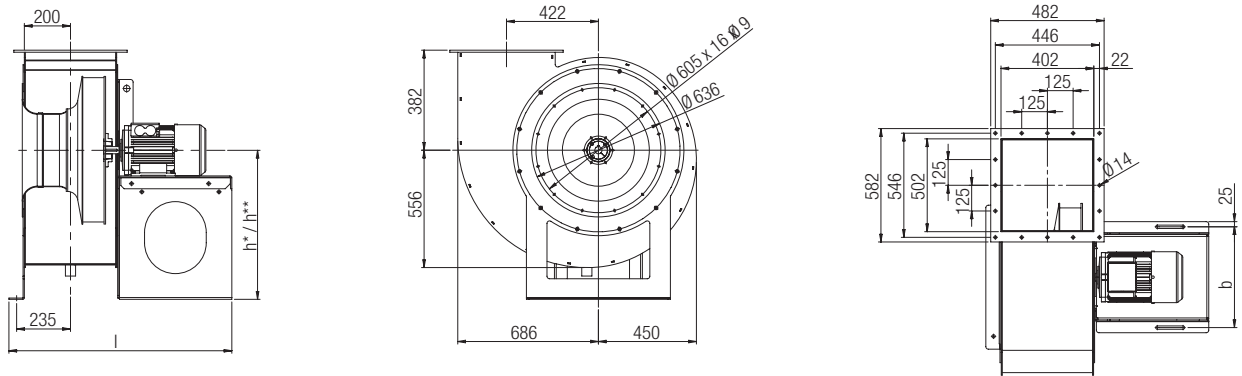
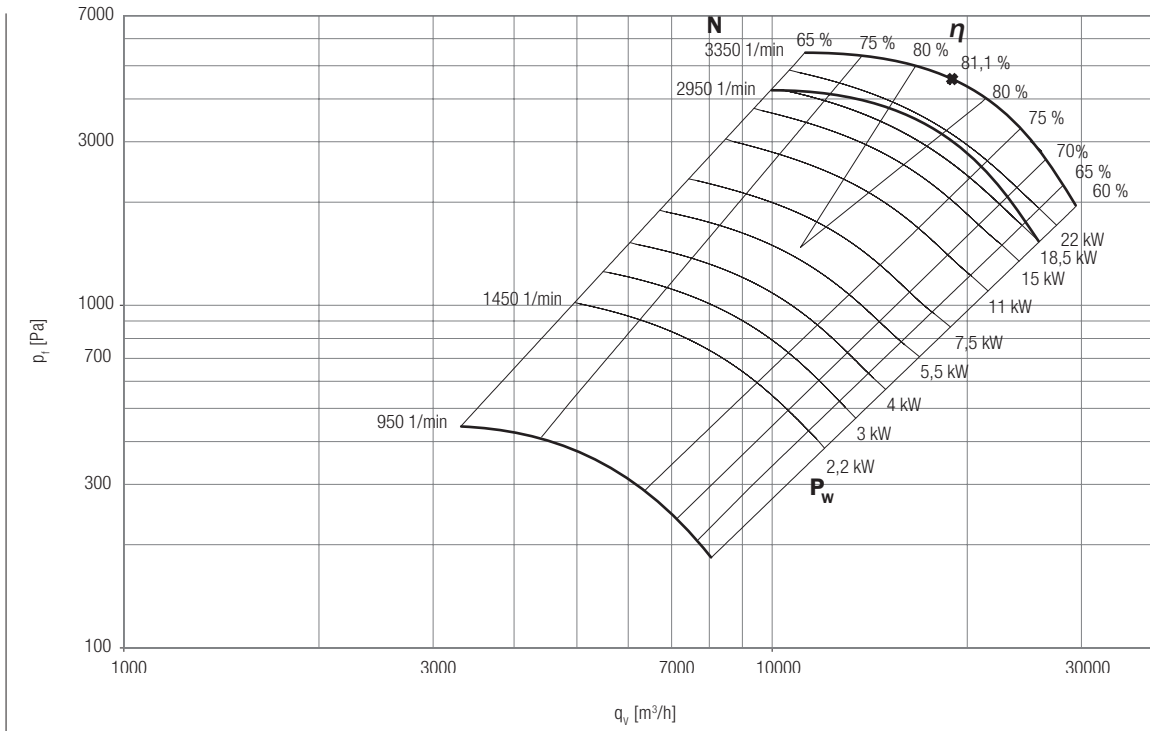
Order no. Fan	Motor power output [kW]	Speed [1/min]	Voltage [V] Connection	Nominal current [A]	Starting current [A]	Weight ca. [kg]	Order no. Z16	h* / h** [mm]	b [mm]	l [mm]
B101071	7.5	2940	400/690 Δ/Y	13.9	104.2	153	B148059	570/675	378	823
B101072	11	2930	400/690 Δ/Y	19.8	150.8	196	B149928	570/675	450	950
B101073	15	2930	400/690 Δ/Y	26.6	202.1	222	B149928	570/675	450	950
B101074	18.5	2937	400/690 Δ/Y	33	244.2	252	B149928	570/675	450	950
B101075	22	2940	400/690 Δ/Y	38.1	297.1	287	B149937	570/675	450	950
B101076	2.2	1440	230/400 Δ/Y	4.6	32.4	131	B148059	570/675	378	823
B101077	3	1440	230/400 Δ/Y	6.1	43.2	137	B148059	570/675	378	823
B101078	4	1445	400/690 Δ/Y	8.1	60.9	142	B148059	570/675	378	823
B101079	5.5	1455	400/690 Δ/Y	10.9	69.7	153	B148059	570/675	378	823

All indicated values for 400 V/50 Hz/3~.

h*: Casing position: 0°, 90° h**: Casing position: 270°

CREM01-71-0560 Centrifugal fan

Eatec by Polrich DLK



Full specifications for accessoires, see page 122

CREM01-71-0560-B

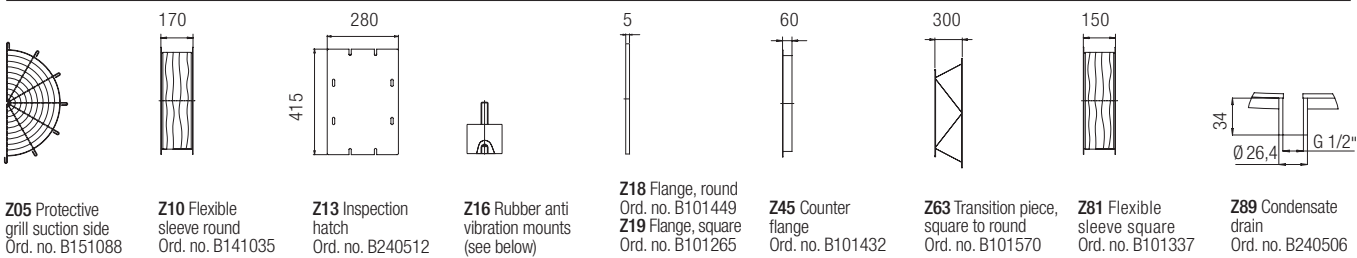
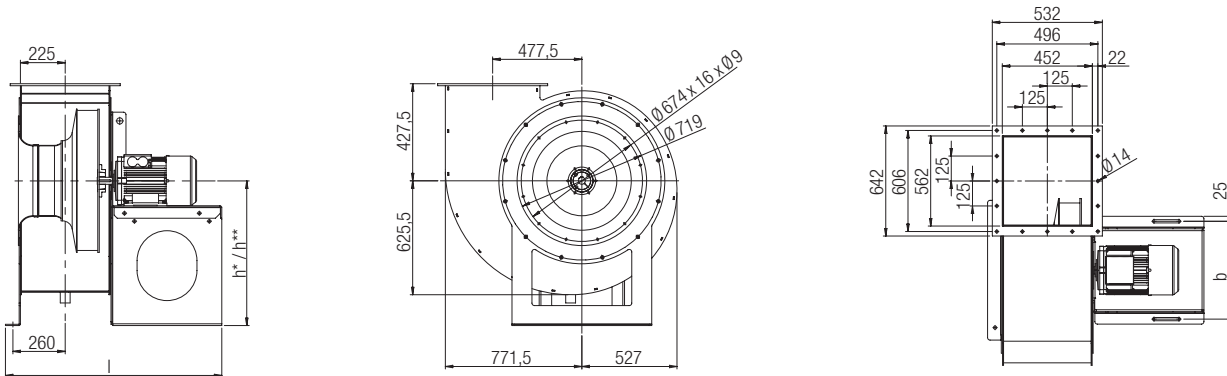
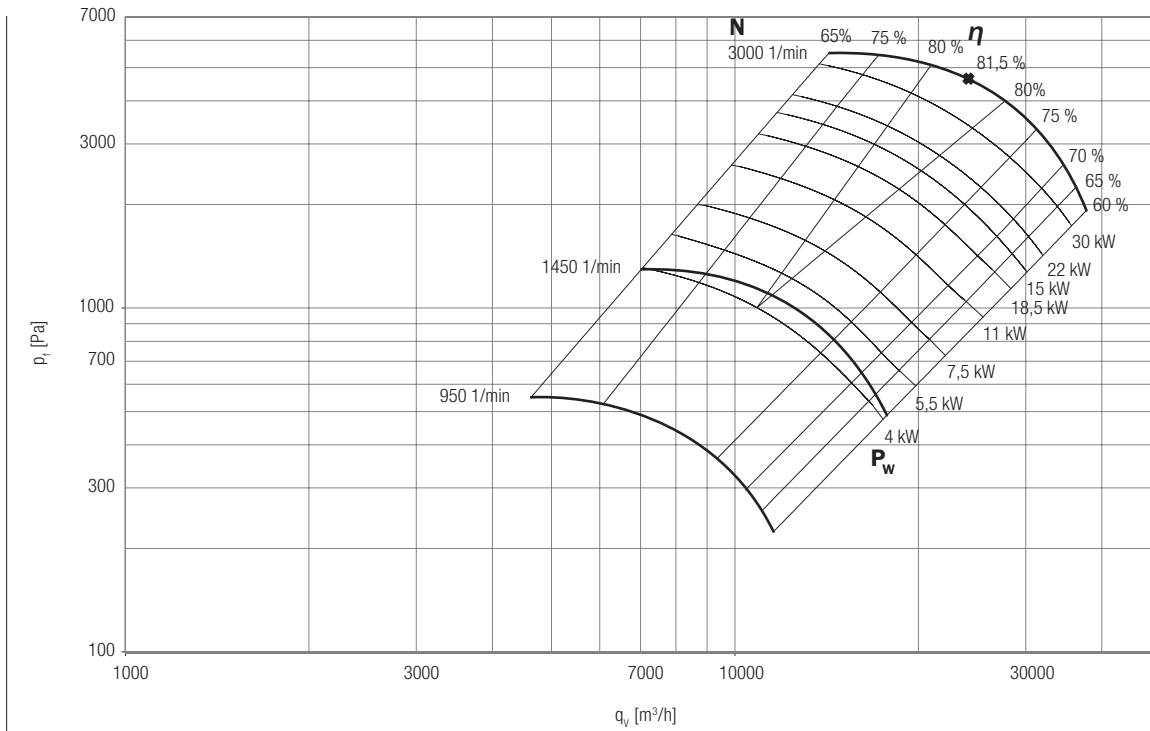
Order no. Fan	Motor power output [kW]	Speed [1/min]	Voltage [V] Connection	Nominal current [A]	Starting current [A]	Weight ca. [kg]	Order no. Z16	h* / h** [mm]	b [mm]	l [mm]
B101091	18.5	2937	400/690 Δ/Y	33	244.2	282	B149937	680/810	538.5	1078
B101092	22	2940	400/690 Δ/Y	38.1	297.1	317	B149937	680/810	538.5	1078
B101093	30	2950	400/690 Δ/Y	53.4	416.5	371	B149937	680/810	538.5	1078
B101094	2.2	1440	230/400 Δ/Y	4.6	32.4	161	B148059	680/810	392	908
B101095	3	1440	230/400 Δ/Y	6.1	43.2	167	B148059	680/810	392	908
B101096	4	1445	400/690 Δ/Y	8.1	60.9	172	B148059	680/810	392	908
B101097	5.5	1455	400/690 Δ/Y	10.9	69.76	183	B149928	680/810	392	908
B101098	7.5	1455	400/690 Δ/Y	14.5	101.5	194	B149928	680/810	392	908
B101099	11	1460	400/690 Δ/Y	22.1	152.4	268	B149928	680/810	538.5	1078
B101100	15	1460	400/690 Δ/Y	29.6	222	244	B149928	680/810	538.5	1078
B101101	18.5	1470	400/690 Δ/Y	32.7	255.2	300	B149937	680/810	538.5	1078

All indicated values for 400 V/50 Hz/3~.

h*: Casing position: 0°, 90° h**: Casing position: 270°

CREM01-71-0630 Centrifugal fan

Etatec by Pollrich DLK



Full specifications for accessories, see page 122

CREM01-71-0630-B

Order no. Fan	Motor power output [kW]	Speed [1/min]	Voltage [V] Connection	Nominal current [A]	Starting current [A]	Weight ca. [kg]	Order no. Z16	h* / h** [mm]	b [mm]	l [mm]
B101102	30	2950	400/690 Δ/Y	53.4	416.5	406	B149937	745/895	508	1106
B101103	4	1445	400/690 Δ/Y	8.1	60.9	207	B149928	745/895	475	1073
B101104	5.5	1455	400/690 Δ/Y	10.9	69.7	218	B149928	745/895	475	1073
B101105	7.5	1455	400/690 Δ/Y	14.5	101.5	229	B149928	745/895	475	1073
B101106	11	1460	400/690 Δ/Y	22.1	152.4	303	B149937	745/895	475	1073
B101107	15	1460	400/690 Δ/Y	29.6	222	279	B149937	745/895	475	1073
B101108	18.5	1470	400/690 Δ/Y	32.7	255.2	335	B149937	745/895	475	1073
B101109	22	1470	400/690 Δ/Y	38.4	288.2	349	B149937	745/895	475	1073

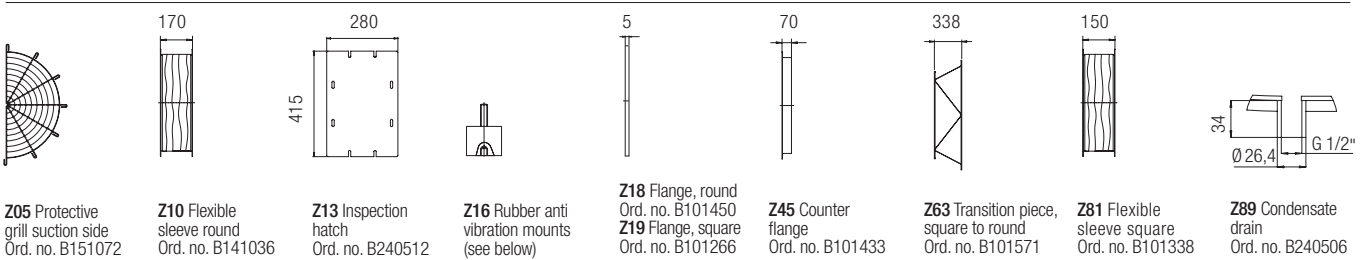
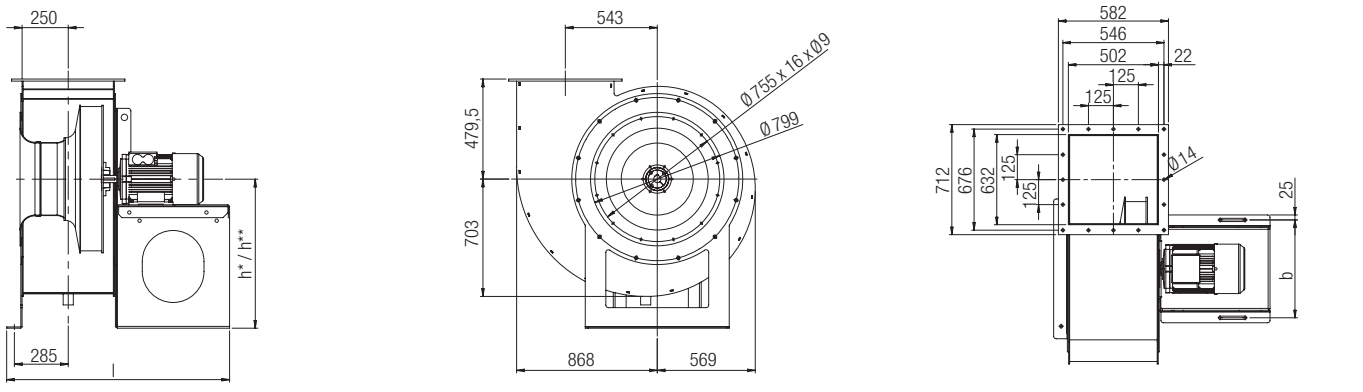
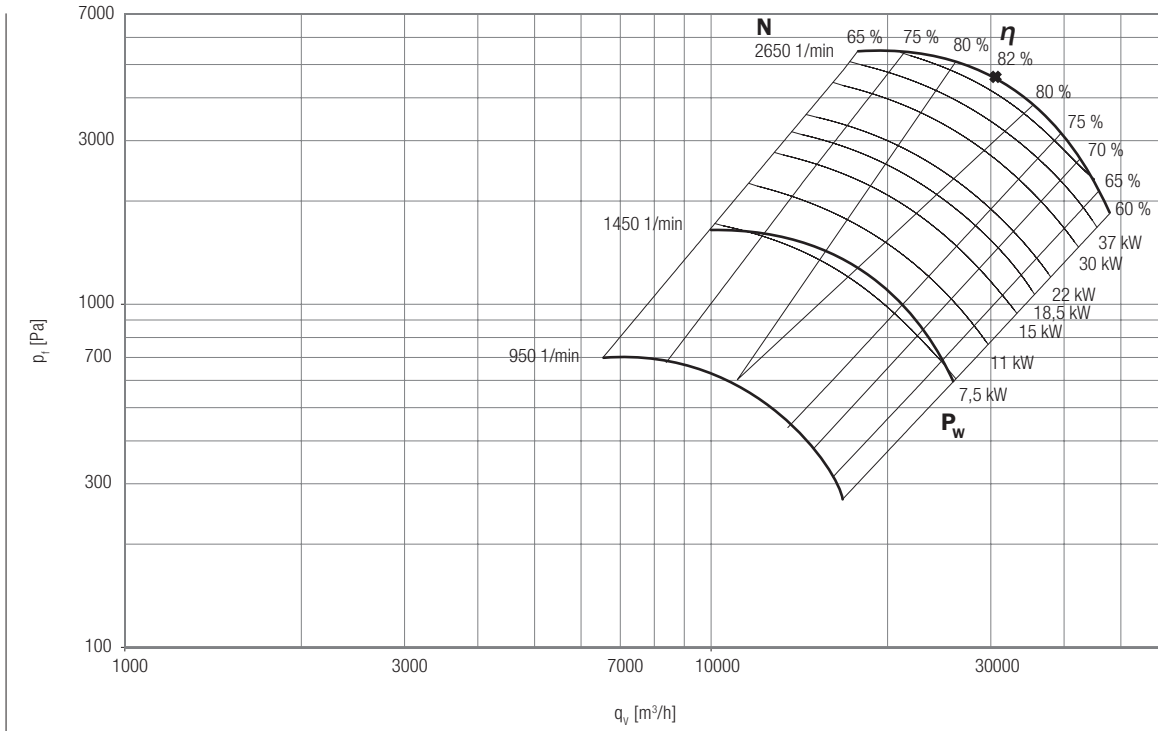
All indicated values for 400 V/50 Hz/3~.

h*: Casing position: 0°, 90°

h**: Casing position: 270°

CREM01-71-0710 Centrifugal fan

Eatec by Pollrich DLK



Full specifications for accessoires, see page 122

CREM01-71-0710-B

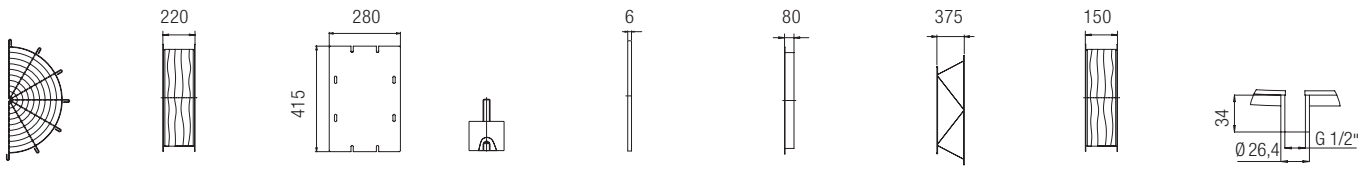
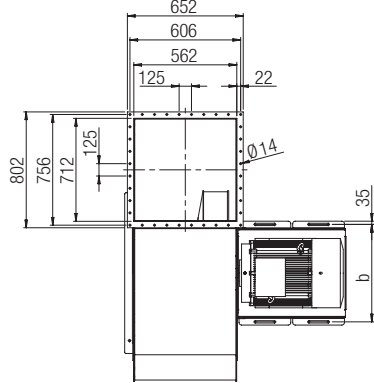
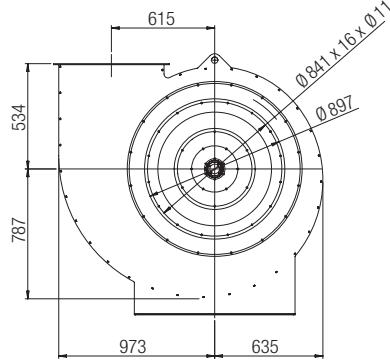
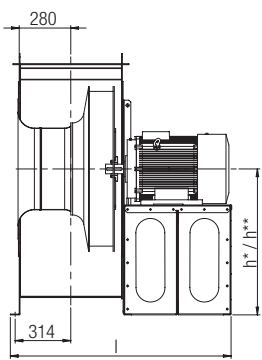
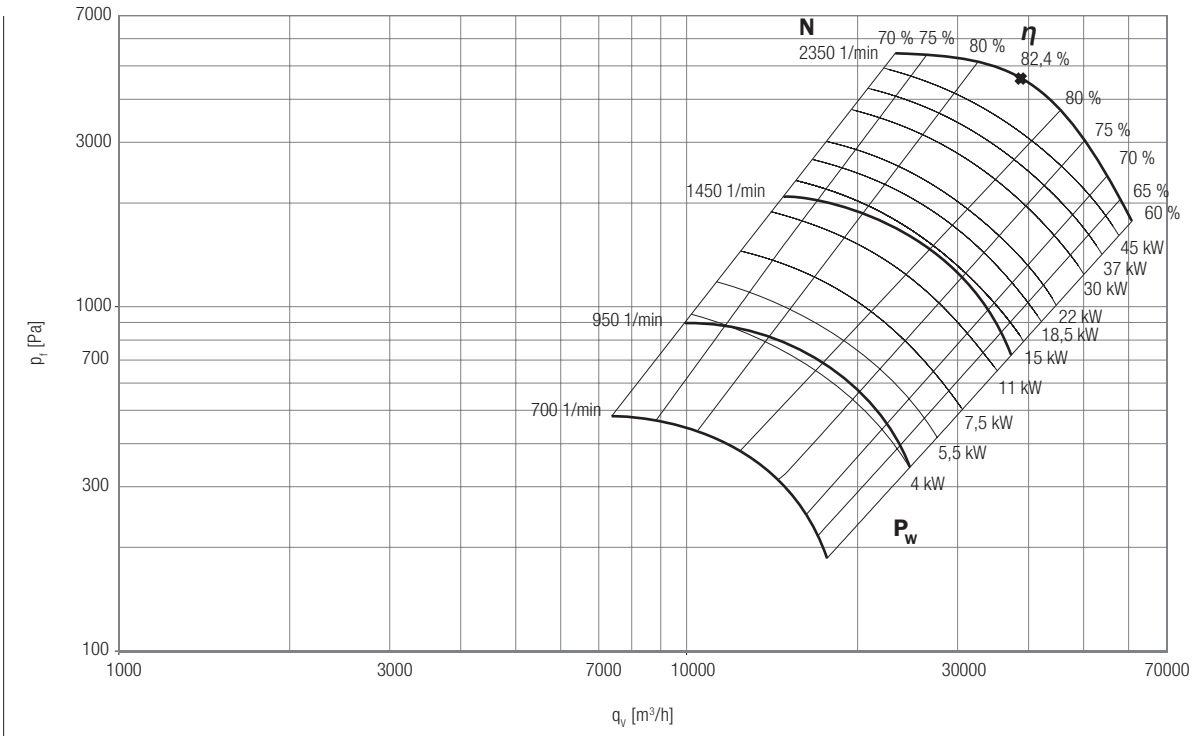
Order no. Fan	Motor power output [kW]	Speed [1/min]	Voltage [V] Connection	Nominal current [A]	Starting current [A]	Weight ca. [kg]	Order no. Z16	h* / h** [mm]	b [mm]	l [mm]
B101110	55	2965	400/690 Δ/Y	93.6	664.5	602	B149948	825/990	620	1268
B101111	7.5	1455	400/690 Δ/Y	14.5	101.5	284	B149937	825/990	475	1123
B101112	11	1460	400/690 Δ/Y	22.1	152.4	358	B149937	825/990	475	1123
B101113	15	1460	400/690 Δ/Y	29.6	222.0	334	B149937	825/990	475	1123
B101114	18.5	1470	400/690 Δ/Y	32.7	255.2	390	B149937	825/990	475	1123
B101115	22	1470	400/690 Δ/Y	38.4	288.2	404	B149937	825/990	475	1123
B101116	30	1470	400/690 Δ/Y	54.4	386.2	490	B149948	825/990	620	1268
B101117	37	1480	400/690 Δ/Y	66.2	496.5	530	B149948	825/990	620	1268
B101118	45	1480	400/690 Δ/Y	80.1	608.7	560	B149948	825/990	620	1268

All indicated values for 400 V/50 Hz/3~.

h*: Casing position: 0°, 90° h**: Casing position: 270°

CREM01-71-0800 Centrifugal fan

Etatec by Pollrich DLK



- Z05** Protective grill suction side
Ord. no. B151092
- Z10** Flexible sleeve round
Ord. no. B141037
- Z13** Inspection hatch
Ord. no. B240512
- Z16** Rubber anti vibration mounts (see below)
- Z18** Flange, round
Ord. no. B101451
- Z19** Flange, square
Ord. no. B101267
- Z45** Counter flange
Ord. no. B101434
- Z63** Transition piece, square to round
Ord. no. B101572
- Z81** Flexible sleeve square
Ord. no. B101339
- Z89** Condensate drain
Ord. no. B240506

Full specifications for accessories, see page 122

CREM01-71-0800-B

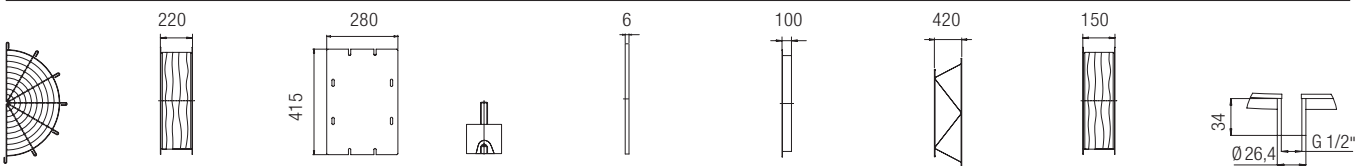
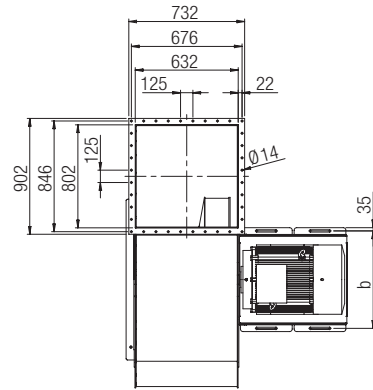
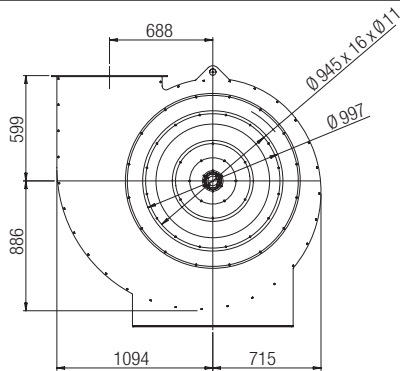
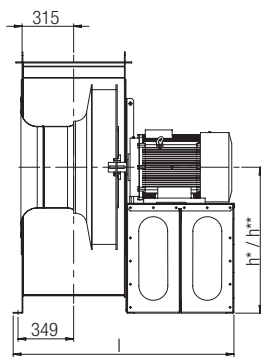
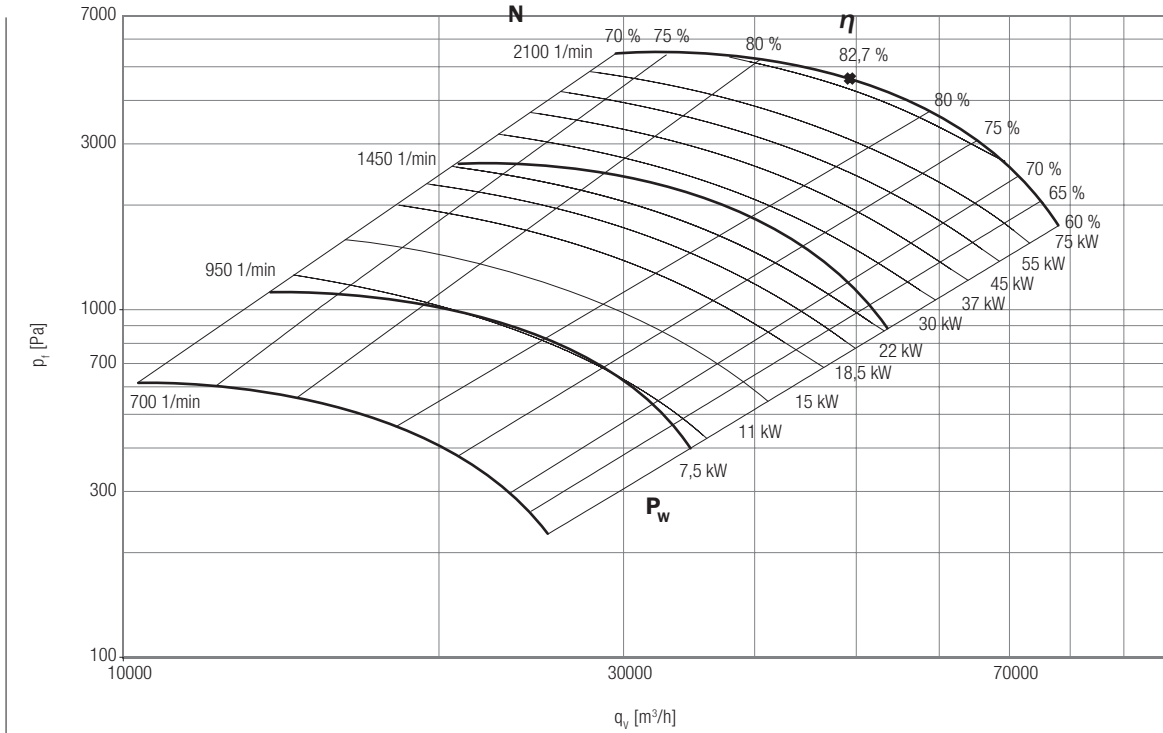
Order no. Fan	Motor power output [kW]	Speed [1/min]	Voltage [V] Connection	Nominal current [A]	Starting current [A]	Weight ca. [kg]	Order no. Z16	h* / h** [mm]	b [mm]	l [mm]
B101119	15	1460	400/690 Δ/Y	29.6	222.0	404	B149937	910/1095	500	1179
B101120	18.5	1470	400/690 Δ/Y	32.7	255.3	460	B149948	910/1095	500	1215
B101121	22	1470	400/690 Δ/Y	38.4	288.2	474	B149948	910/1095	500	1215
B101122	30	1470	400/690 Δ/Y	54.4	386.2	560	B149948	910/1095	570	1306
B101123	37	1480	400/690 Δ/Y	66.2	496.5	600	B149948	910/1095	570	1306
B101124	45	1480	400/690 Δ/Y	80.1	608.8	630	B149948	910/1095	570	1346
B101125	4	965	400/690 Δ/Y	9.0	44.8	343	B149937	910/1095	500	1027
B101126	5.5	965	400/690 Δ/Y	12.0	66.0	354	B149937	910/1095	500	1027
B101127	7.5	970	400/690 Δ/Y	15.9	103.4	390	B149937	910/1095	500	1179
B101128	11	970	400/690 Δ/Y	22.1	166.1	439	B149937	910/1095	500	1179
B101129	15	975	400/690 Δ/Y	29.8	190.7	488	B149948	910/1095	500	1215

All indicated values for 400 V/50 Hz/3-..

h*: Casing position: 0°, 90° h**: Casing position: 270°

CREM01-71-0900 Centrifugal fan

Eatec by Pollrich DLK



Z05 Protective grill suction side
Ord. no. B190582

Z10 Flexible sleeve round
Ord. no. B141038

Z13 Inspection hatch
Ord. no. B240512

Z16 Rubber anti vibration mounts (see below)

Z18 Flange, round
Ord. no. B101452
Z19 Flange, square
Ord. no. B101268

Z45 Counter flange
Ord. no. B101435

Z63 Transition piece, square to round
Ord. no. B101573

Z81 Flexible sleeve square
Ord. no. B101340

Z89 Condensate drain
Ord. no. B240506

Full specifications for accessoires, see page 122

CREM01-71-0900-B

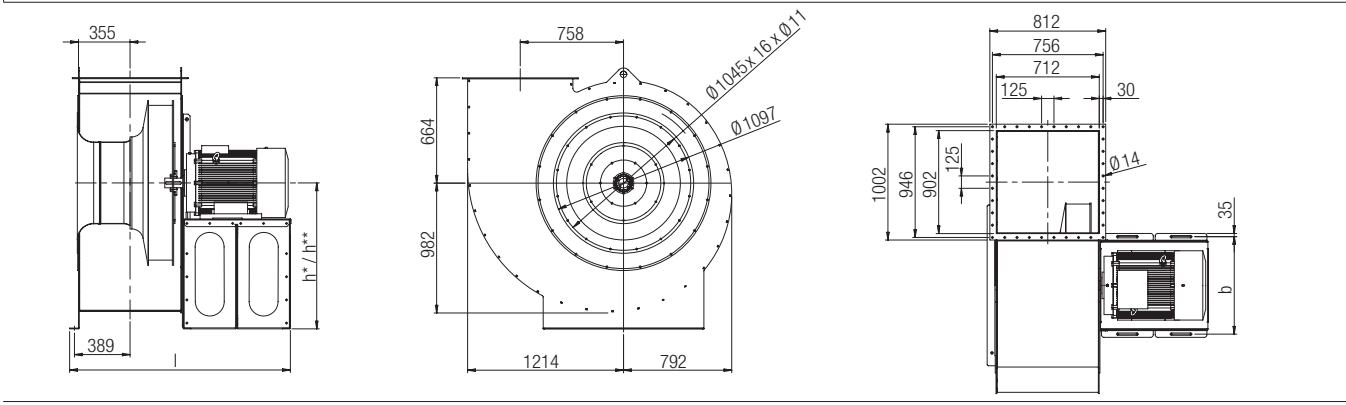
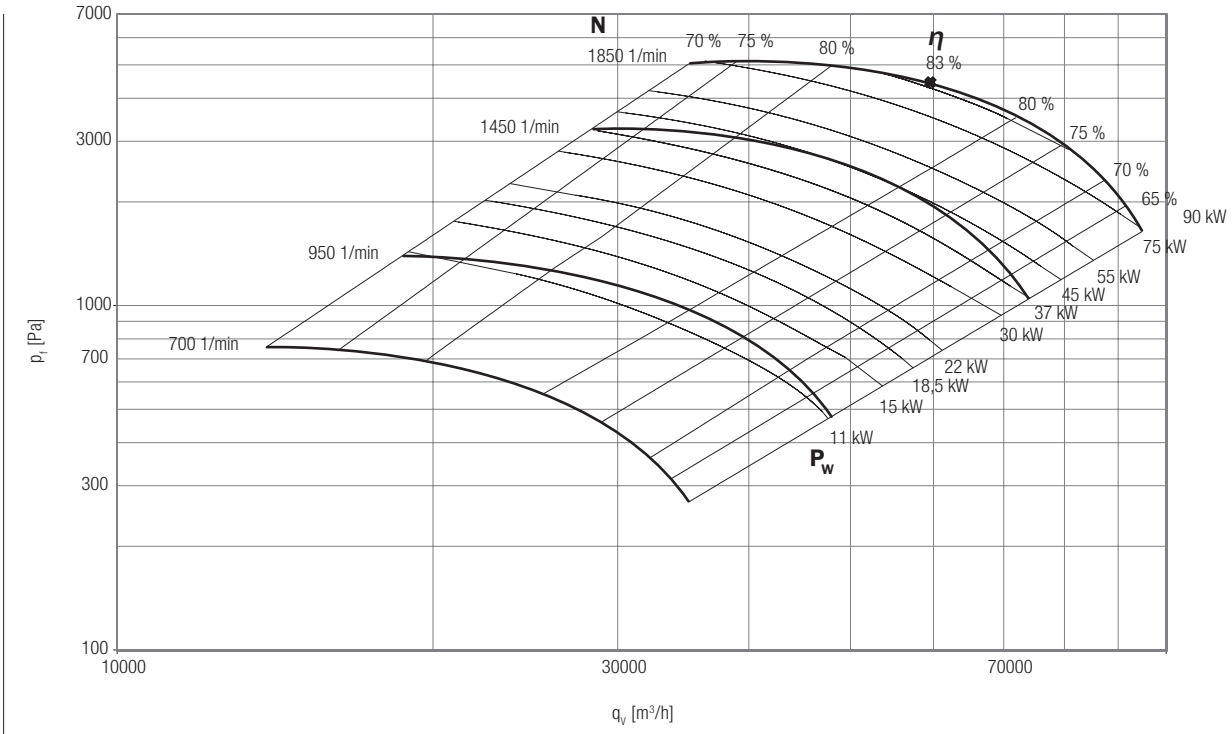
Order no. Fan	Motor power output [kW]	Speed [1/min]	Voltage [V] Connection	Nominal current [A]	Starting current [A]	Weight ca. [kg]	Order no. Z16	h* / h** [mm]	b [mm]	l [mm]
B101130	22	1470	400/690 Δ/Y	38.4	301.5	594	B149948	1010/1215	513	1283
B101131	30	1470	400/690 Δ/Y	54.4	386.2	680	B149948	1010/1215	513	1374
B101132	37	1480	400/690 Δ/Y	66.2	496.5	720	B149948	1010/1215	653.4	1411
B101133	45	1480	400/690 Δ/Y	80.1	608.8	750	B149948	1010/1215	653.4	1411
B101134	55	1480	400/690 Δ/Y	96.7	711.8	805	B149948	1010/1215	653.4	1472
B101135	75	1480	400/690 Δ/Y	131.0	1003.2	925	B250291	1010/1215	653.4	1544
B101136	7.5	970	400/690 Δ/Y	15.9	103.4	510	B149948	1010/1215	513	1247
B101137	11	970	400/690 Δ/Y	22.1	171.8	559	B149948	1010/1215	513	1247
B101138	15	975	400/690 Δ/Y	29.8	190.7	608	B149948	1010/1215	513	1283
B101139	18.5	980	400/690 Δ/Y	35.7	254.8	610	B149948	1010/1215	513	1374
B101140	22	980	400/690 Δ/Y	41.6	294.0	638	B149948	1010/1215	513	1374



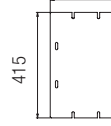
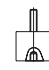






All indicated values for 400 V/50 Hz/3~.

h*: Casing position: 0°, 90° h**: Casing position: 270°

CREM01-71-1000 Centrifugal fan

Etatec by Pollrich DLK



- 
Z05 Protective grill suction side
 Ord. no. B151090
- 
Z10 Flexible sleeve round
 Ord. no. B141054
- 
Z13 Inspection hatch
 Ord. no. B240512
- 
Z16 Rubber anti vibration mounts (see below)
- 
Z18 Flange, round
 Ord. no. B101453
- 
Z19 Flange, square
 Ord. no. B101269
- 
Z45 Counter flange
 Ord. no. B101436
- 
Z63 Transition piece, square to round
 Ord. no. B101574
- 
Z81 Flexible sleeve square
 Ord. no. B101341
- 
Z89 Condensate drain
 Ord. no. B240506

Full specifications for accessories, see page 122

CREM01-71-1000-B

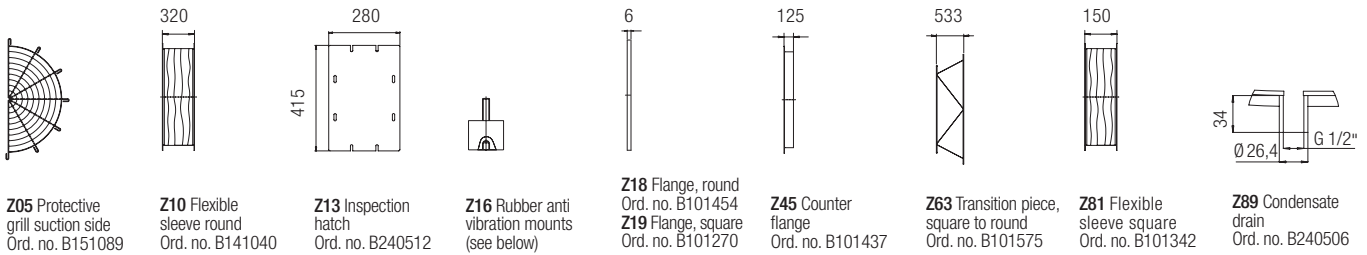
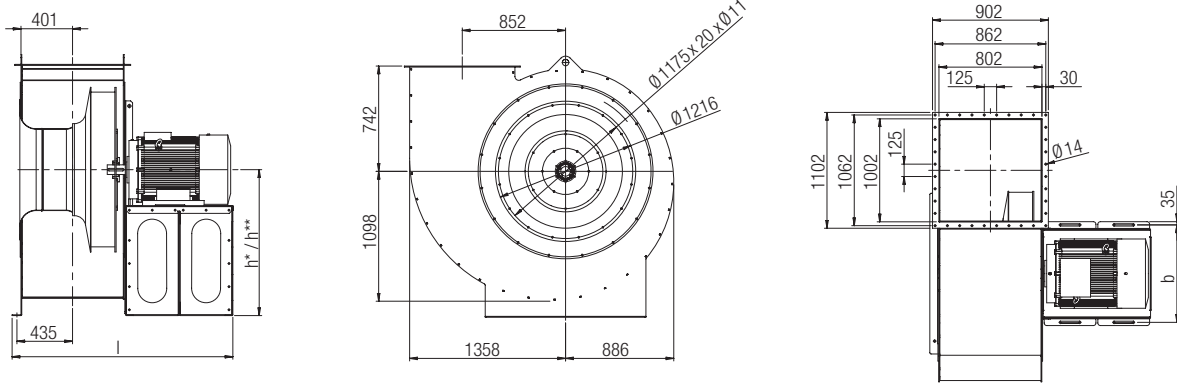
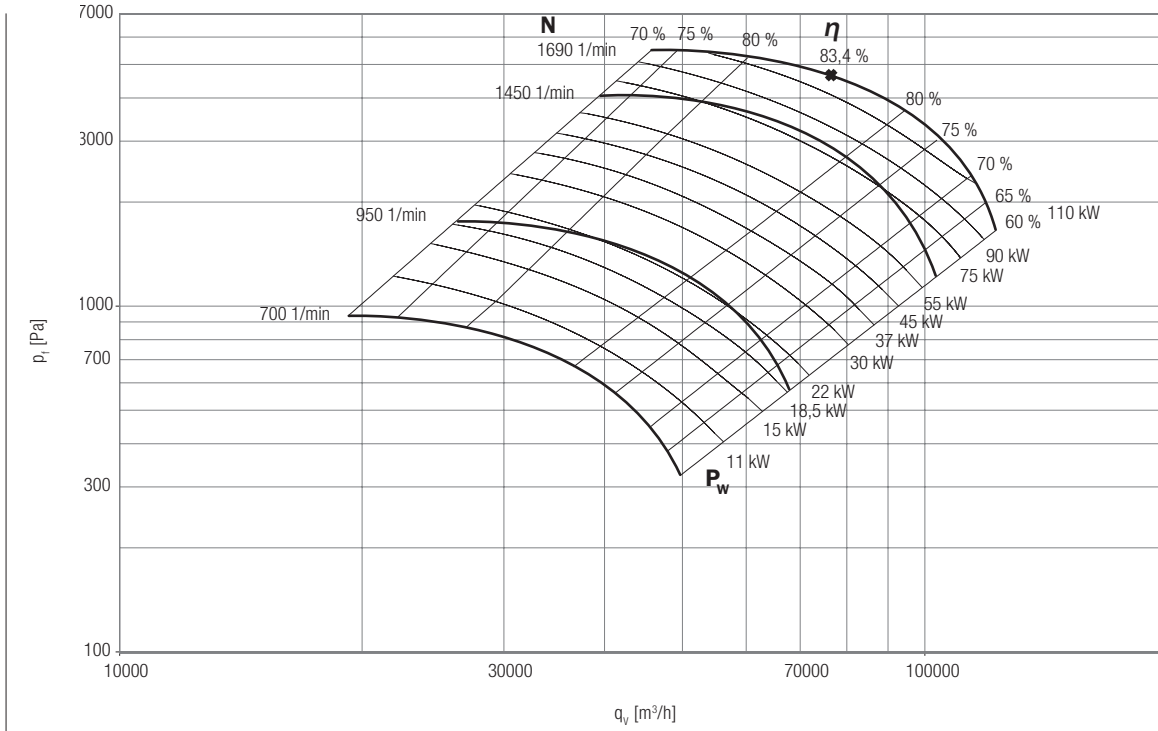
Order no. Fan	Motor power output [kW]	Speed [1/min]	Voltage [V] Connection	Nominal current [A]	Starting current [A]	Weight ca. [kg]	Order no. Z16	h* / h** [mm]	b [mm]	l [mm]
B101141	37	1480	400/690 Δ/Y	66.2	496.5	840	B149948	1105/1335	714.4	1494
B101142	45	1480	400/690 Δ/Y	80.1	608.8	870	B149948	1105/1335	714.4	1494
B101143	55	1480	400/690 Δ/Y	96.7	711.8	925	B250291	1105/1335	714.4	1555
B101144	75	1480	400/690 Δ/Y	131.0	1003.2	1045	B250291	1105/1335	714.4	1627
B101145	90	1480	400/690 Δ/Y	157.0	1185.0	1141	B250291	1105/1335	714.4	1627
B101146	15	975	400/690 Δ/Y	29.8	190.7	728	B149948	1105/1335	520	1363
B101147	18.5	980	400/690 Δ/Y	35.7	254.8	730	B149948	1105/1335	520	1454
B101148	22	980	400/690 Δ/Y	41.6	294.0	758	B149948	1105/1335	520	1454
B101149	30	980	400/690 Δ/Y	56.2	365.3	826	B149948	1105/1335	714.4	1494
B101150	37	980	400/690 Δ/Y	66.9	464.4	910	B149948	1105/1335	714.4	1555
B101151	11	730	400/690 Δ/Y	23.4	142.8	690	B149948	1105/1335	520	1363

All indicated values for 400 V/50 Hz/3~.

h*: Casing position: 0°, 90° h**: Casing position: 270°

CREM01-71-1120 Centrifugal fan

Eatec by Pollrich DLK



Full specifications for accessoires, see page 122

CREM01-71-1120-B

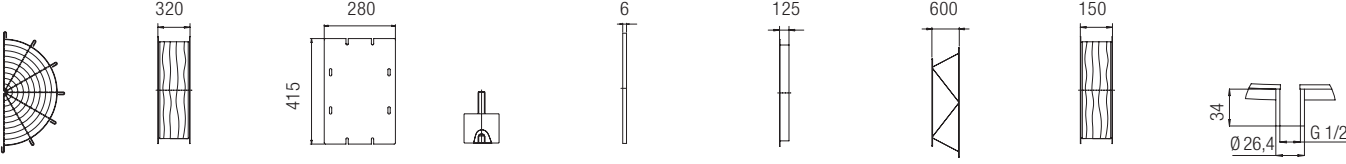
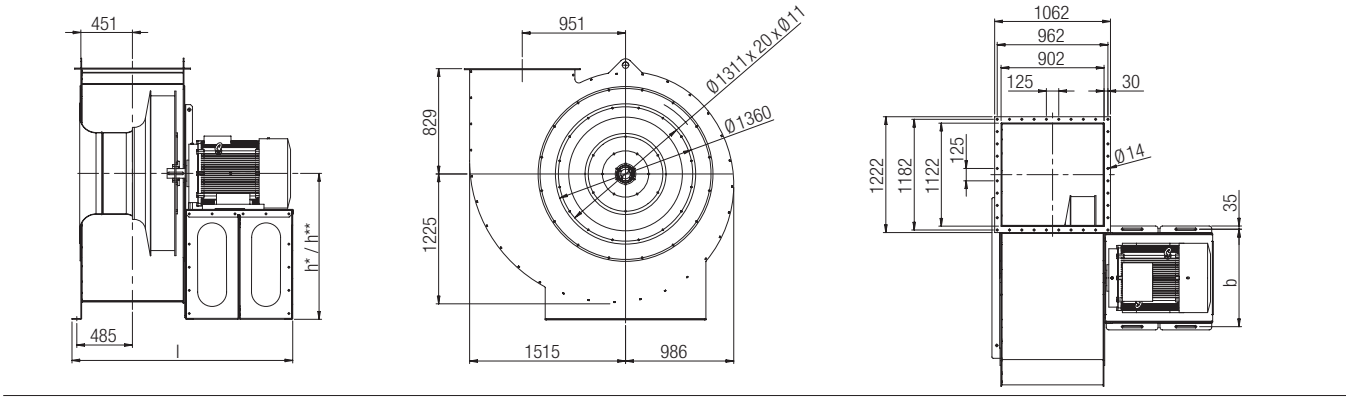
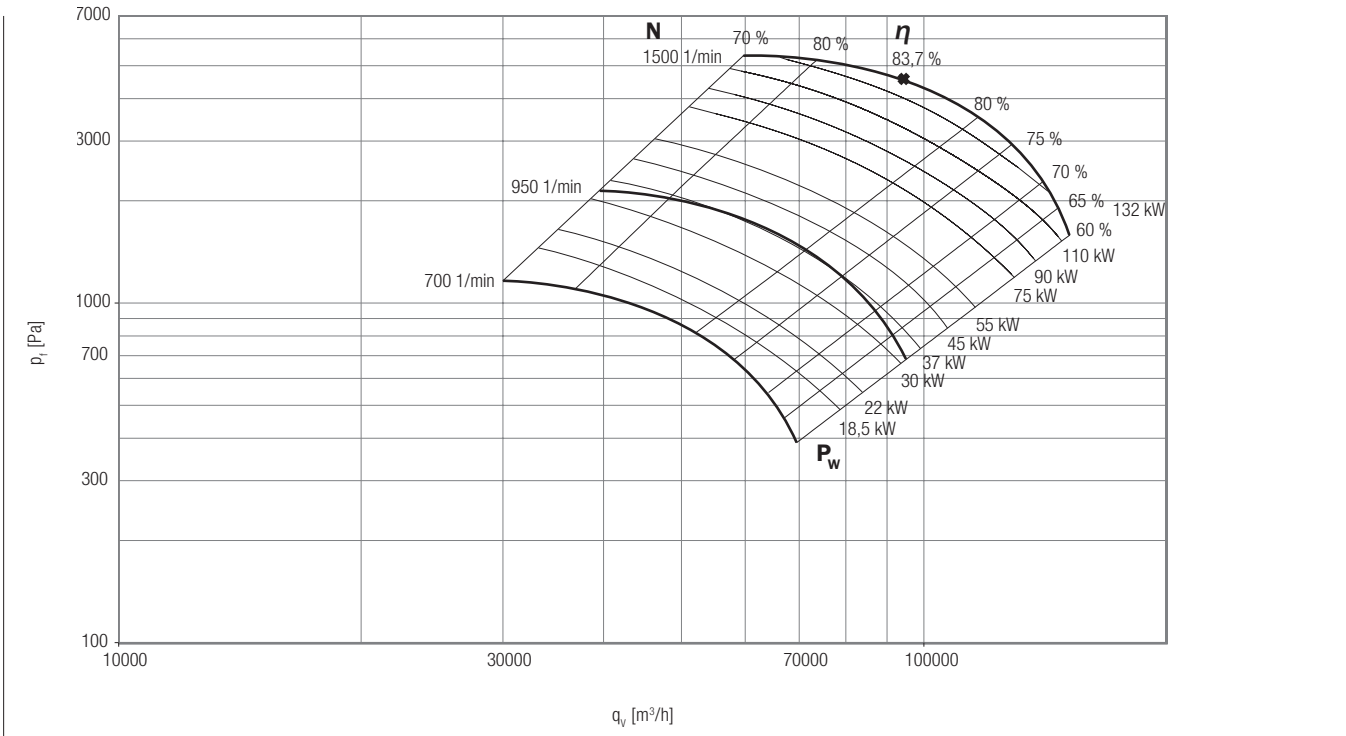
Order no. Fan	Motor power output [kW]	Speed [1/min]	Voltage [V] Connection	Nominal current [A]	Starting current [A]	Weight ca. [kg]	Order no. Z16	h* / h** [mm]	b [mm]	l [mm]
B101152	75	1480	400/690 Δ/Y	131.0	1003.2	1135	B250291	1220/1480	786.6	1732
B101153	90	1480	400/690 Δ/Y	157.0	1185.0	1231	B250291	1220/1480	786.6	1732
B101154	110	1485	400/690 Δ/Y	191.0	1356.1	1570	B250291	1220/1480	786.6	1935
B101155	18.5	980	400/690 Δ/Y	35.7	254.8	820	B149948	1220/1480	560	1559
B101156	22	980	400/690 Δ/Y	41.6	294.0	848	B149948	1220/1480	560	1559
B101157	30	980	400/690 Δ/Y	56.2	365.3	916	B149948	1220/1480	560	1599
B101158	37	980	400/690 Δ/Y	66.9	464.4	1000	B250291	1220/1480	786.6	1660
B101159	45	980	400/690 Δ/Y	80.4	570.5	1110	B250291	1220/1480	786.6	1732
B101160	55	980	400/690 Δ/Y	96.6	704.3	1165	B250291	1220/1480	786.6	1732
B101161	75	985	400/690 Δ/Y	132.1	978.2	1535	B250291	1220/1480	786.6	1935
B101162	11	730	400/690 Δ/Y	23.4	142.8	780	B149948	1220/1480	560	1468
B101163	15	730	400/690 Δ/Y	32.1	213.8	848	B149948	1220/1480	560	1559

All indicated values for 400 V/50 Hz/3~.

h*: Casing position: 0°, 90° h**: Casing position: 270°

CREM01-71-1250 Centrifugal fan

Etatec by Pollrich DLK



- Z05** Protective grill suction side
Ord. no. B151082
 - Z10** Flexible sleeve round
Ord. no. B141026
 - Z13** Inspection hatch
Ord. no. B240512
 - Z16** Rubber anti vibration mounts (see below)
 - Z18** Flange, round
Ord. no. B101455
 - Z19** Flange, square
Ord. no. B101271
 - Z45** Counter flange
Ord. no. B101438
 - Z63** Transition piece, square to round
Ord. no. B101576
 - Z81** Flexible sleeve square
Ord. no. B101343
 - Z89** Condensate drain
Ord. no. B240506
- Full specifications for accessories, see page 122

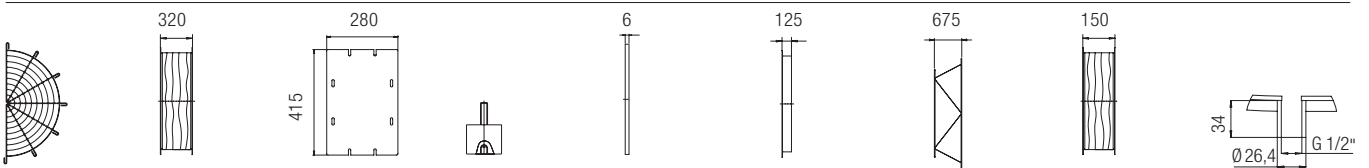
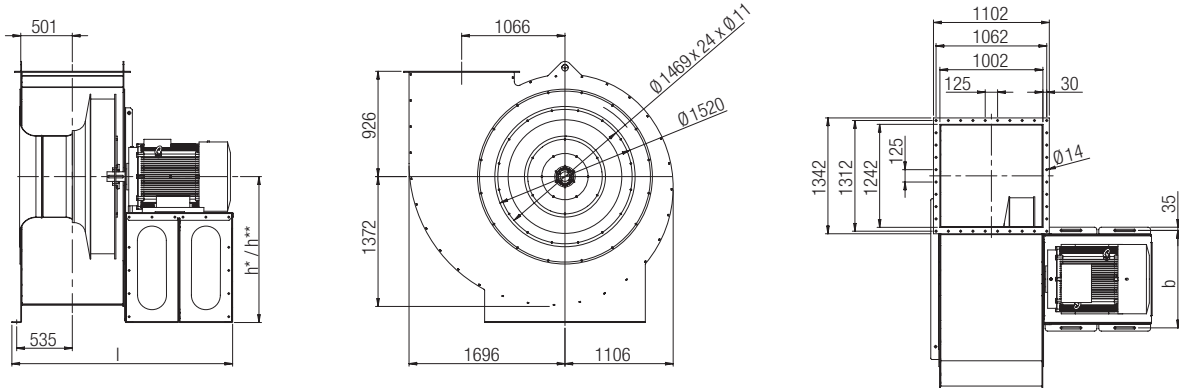
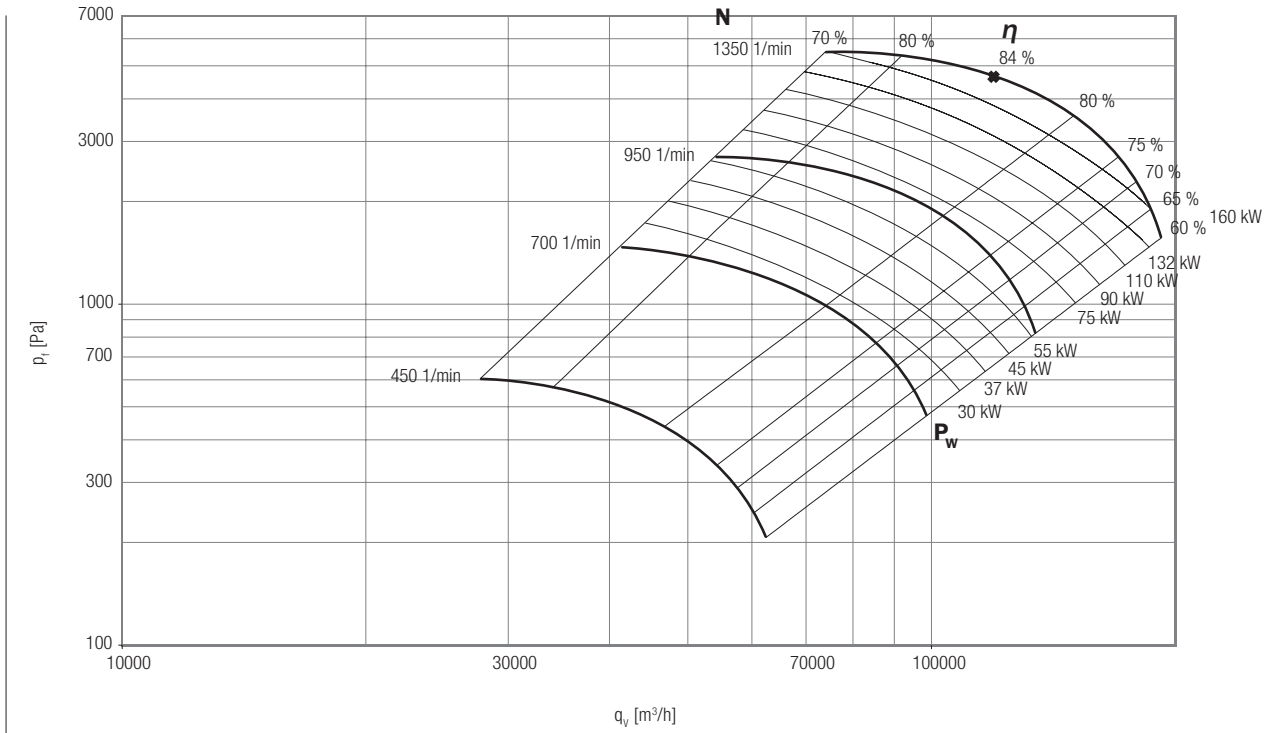
CREM01-71-1250-B

Order no. Fan	Motor power output [kW]	Speed [1/min]	Voltage [V] Connection	Nominal current [A]	Starting current [A]	Weight ca. [kg]	Order no. Z16	h^* / h^{**} [mm]	b [mm]	l [mm]
B101164	110	1485	400/690 Δ/Y	191.0	1356.1	1771	B250291	1345/1635	758	2018
B101165	132	1485	400/690 Δ/Y	228.0	1664.4	1858	B250291	1345/1635	758	2018
B101166	160	1485	400/690 Δ/Y	273.0	2020.2	1928	B250291	1345/1635	758	2018
B101167	30	980	400/690 Δ/Y	56.2	365.3	1117	B250291	1345/1635	758	1682
B101168	37	980	400/690 Δ/Y	66.9	464.4	1201	B250291	1345/1635	758	1743
B101169	45	980	400/690 Δ/Y	80.4	570.5	1311	B250291	1345/1635	758	1815
B101170	55	980	400/690 Δ/Y	96.6	704.3	1366	B250291	1345/1635	758	1815
B101171	75	985	400/690 Δ/Y	132.1	978.2	1736	B250291	1345/1635	758	2018
B101172	90	985	400/690 Δ/Y	159.0	1136.0	1814	B250291	1345/1635	758	2018
B101173	110	985	400/690 Δ/Y	194.0	1450.4	1886	B250291	1345/1635	758	2018
B101174	18.5	730	400/690 Δ/Y	39.0	257.4	1063	B250291	1345/1635	758	1682
B101175	22	730	400/690 Δ/Y	44.2	297.0	1086	B250291	1345/1635	758	1682

All indicated values for 400 V/50 Hz/3~-. h^* : Casing position: 0°, 90° h^{**} : Casing position: 270°

CREM01-71-1400 Centrifugal fan

Eatec by Pollrich DLK



Z05 Protective grill suction side
Ord. no. B151094

Z10 Flexible sleeve round
Ord. no. B166140

Z13 Inspection hatch
Ord. no. B240512

Z16 Rubber anti vibration mounts (see below)

Z18 Flange, round
Ord. no. B101456
Z19 Flange, square
Ord. no. B101272

Z45 Counter flange
Ord. no. B101433

Z63 Transition piece, square to round
Ord. no. B101577

Z81 Flexible sleeve square
Ord. no. B101344

Z89 Condensate drain
Ord. no. B240506

Full specifications for accessoires, see page 122

CREM01-71-1400-B

Order no. Fan	Motor power output [kW]	Speed [1/min]	Voltage [V] Connection	Nominal current [A]	Starting current [A]	Weight ca. [kg]	Order no. Z16	h* / h** [mm]	b [mm]	l [mm]
B101176	200	1485	400/690 Δ/Y	341.0	2591.6	2540	B250294	1500/1820	760	2120
B101177	75	985	400/690 Δ/Y	132.1	978.2	1850	B250291	1500/1820	760	2120
B101178	90	985	400/690 Δ/Y	159.0	1136.0	1928	B250291	1500/1820	760	2120
B101179	110	985	400/690 Δ/Y	194.0	1450.4	2000	B250294	1500/1820	760	2120
B101180	132	985	400/690 Δ/Y	229.0	1755.6	2120	B250294	1500/1820	760	2120
B101181	160	990	400/690 Δ/Y	274.0	2105.2	2485	B250294	1500/1820	860	2412
B101182	200	990	400/690 Δ/Y	345.0	2691.0	2535	B250294	1500/1820	860	2412
B101183	30	735	400/690 Δ/Y	60.2	401.3	1303	B250291	1500/1820	760	1845
B101184	37	735	400/690 Δ/Y	72.6	488.4	1407	B250291	1500/1820	760	1917
B101185	45	735	400/690 Δ/Y	88.0	589.4	1473	B250291	1500/1820	760	1917
B101186	55	735	400/690 Δ/Y	104.0	693.0	1835	B250291	1500/1820	760	2120
B101187	75	735	400/690 Δ/Y	141.0	943.8	1935	B250291	1500/1820	760	2120
B101188	90	735	400/690 Δ/Y	167.0	1115.4	1990	B250291	1500/1820	760	2120

All indicated values for 400 V/50 Hz/3~.

h*: Casing position: 0°, 90° h**: Casing position: 270°

ACCESSORIES FOR CENTRIFUGAL FANS, DIRECT DRIVEN **CREM**

Z05 Protection guard

Contact protection according to DIN EN 294 Steel, powder coated RAL7015. Only required for free suction side installation situation. Supplied loose.

Z10 Flexible sleeve, round

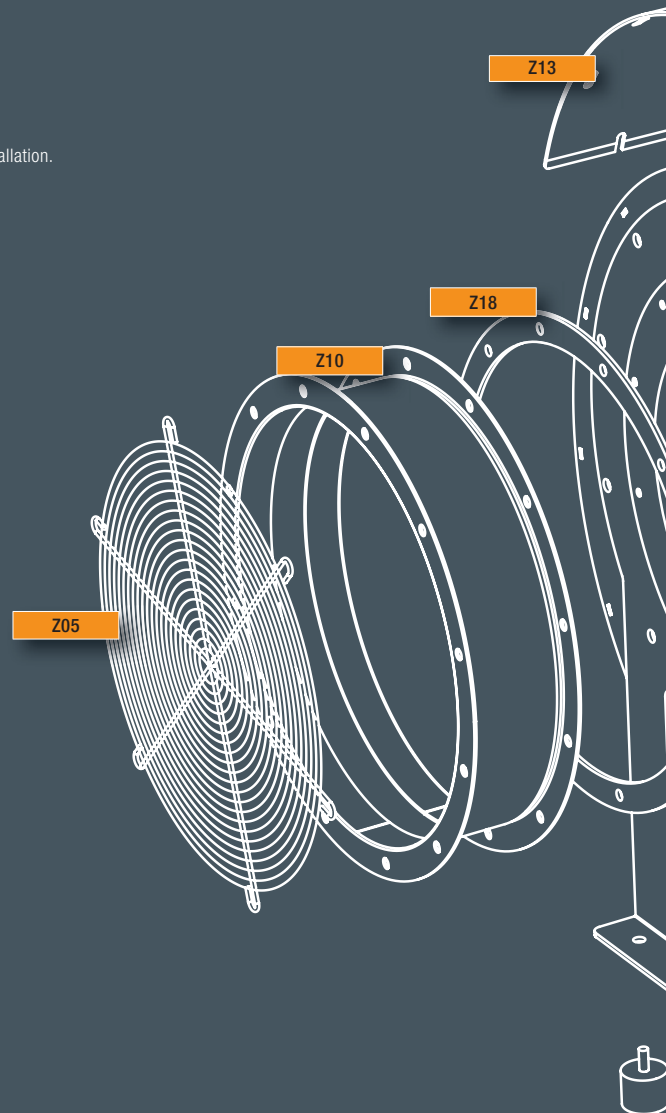
For the prevention of impact sound transmission between fan and duct system, cuff made of PVC with fabric reinforcement, including 2 angle flanges with tension bands to 80 ° C.

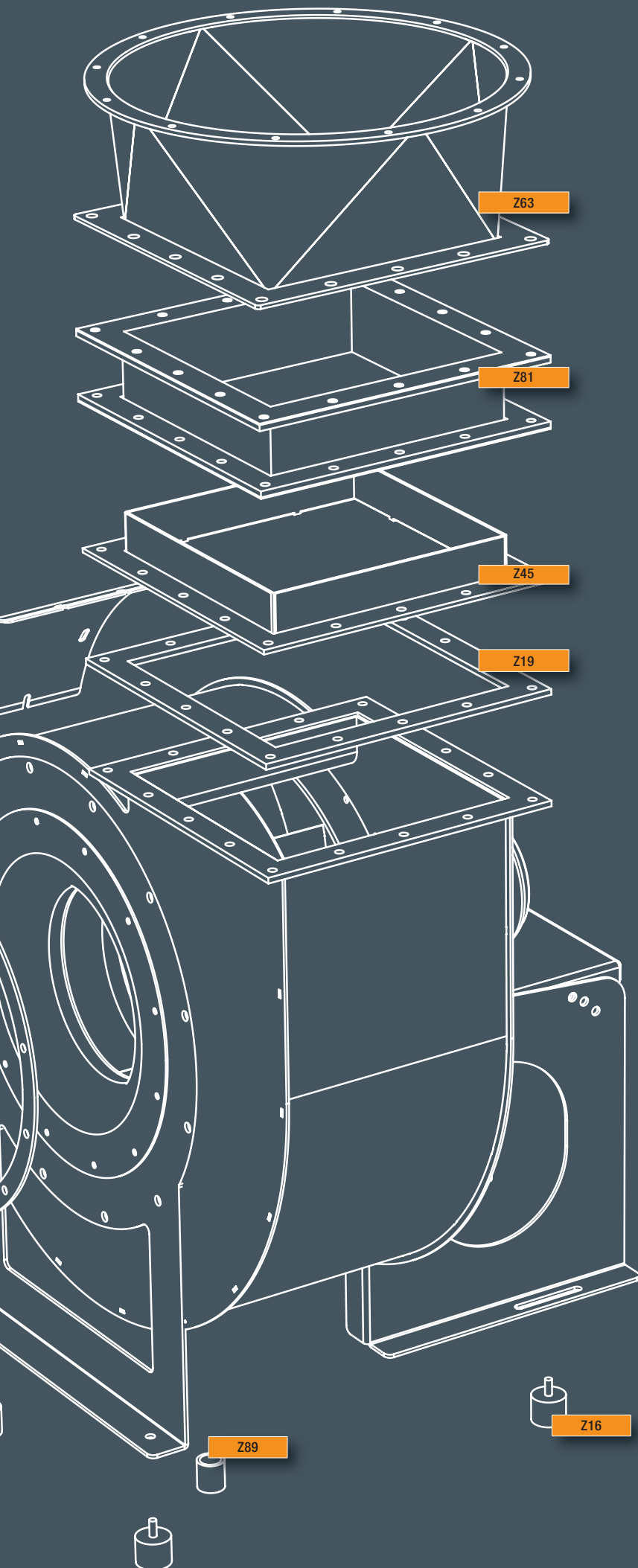
Z18 Flange - steel

Powder coated in RAL 7015. Supplied loose.

Z13 Inspection hatch

For the inspection of the inside fan casing after installation.





Z63 Transition piece

Transition piece from round to square. Connection dimensions angular adapted to the pressure side, connection dimensions round adapted to suction side. Steel, powder coated in RAL 7015. Supplied loose.

Z81 Flexible sleeve, square

For the prevention of impact sound transmission between fan and duct system, cuff made of PVC with fabric reinforcement. Incl. 2 frames for mounting. Up to 80 °C.

Z45 Flange

Steel, powder coated in RAL 7015. Supplied loose.

Z19 Steel frame

Frame. Steel, powder coated in RAL 7015. Supplied loose.

Z16 Rubber anti vibration mounts

Anti-vibration mounts for compression load. For vibration free installation of the fan on horizontal surfaces. Selection according to fan weight, approximately 55 shore A. Optional spring anti-vibration mounts (on request). Delivered loose. Amount depends on fan.

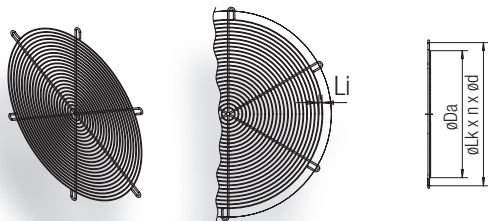
Z89 Condensate drain

To drain the condensate that may be incurred in the fan.

ACCESSORIES for centrifugal fans, CREM

Z05

Protection guard

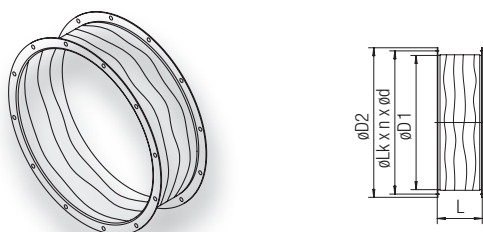


Contact protection according to DIN EN 294 Steel, powder coated RAL7015. Only required for free suction side installation situation. Supplied loose.

Order no.	ø DA	Li	øLk x n x ød	Weight	
				ca. kg	
B101466	134	8	180 x 4 x 9.5	0.1	
B101457	154	8	204 x 4 x 9.5	0.2	
B101458	174	8	219 x 4 x 9.5	0.2	
B101459	194	8	233 x 4 x 9.5	0.2	
B151080	254	8	286 x 4 x 9.5	0.3	
B151078	274	8	332 x 4 x 11.5	0.3	
B151076	314	8	356 x 6 x 11.5	0.4	
B151074	354	8	395 x 6 x 11.5	0.5	
B151061	394	8	438 x 6 x 11.5	0.7	
B151081	454	8	486 x 6 x 11.5	0.8	
B151068	494	8	541 x 6 x 11.5	1.0	
B151066	554	8	605 x 8 x 14	1.3	
B151088	634	8	674 x 8 x 14	1.6	
B151072	709	9,5	755 x 8 x 14	2.1	
B151092	784	9,5	841 x 8 x 14	5.1	
B190582	862	21	945 x 8 x 14	3.3	
B151090	962	21	1045 x 8 x 14	4.0	
B151089	1080	21	1175 x 10 x 14	5.3	
B151082	1180	21	1311 x 10 x 14	6.3	

Z10

Flexible sleeve, round

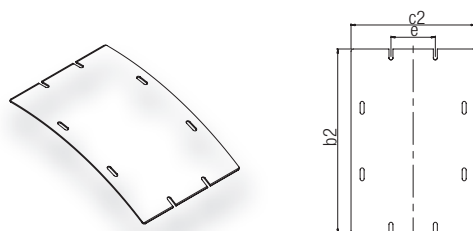


For the prevention of impact sound transmission between fan and duct system, cuff made of PVC with fabric reinforcement, including 2 angle flanges with tension bands to 80 °C.

Order no.	ø DA	ø DA	L	øLk x n x ød	Weight	
					ca. kg	
B101467	162	210	100	180 x 8 x 9.5	0.8	
B101460	182	234	100	204 x 8 x 9.5	0.9	
B101461	202	249	100	219 x 8 x 9.5	1.0	
B101462	227	263	100	233 x 8 x 9.5	1.0	
B140894	252	308	120	286 x 8 x 9.5	2.0	
B141027	283	354	120	332 x 8 x 11.5	2.0	
B141028	317	381	120	356 x 12 x 11.5	3.0	
B141029	357	415	120	395 x 12 x 11.5	3.0	
B141030	402	471	120	438 x 12 x 11.5	4.0	
B141031	452	519	120	486 x 12 x 11.5	6.0	
B141032	502	565	170	541 x 12 x 11.5	6.0	
B141033	562	636	170	605 x 16 x 14	8.0	
B141035	632	719	170	674 x 16 x 14	10.0	
B141036	713	799	220	755 x 16 x 14	12.0	
B141037	804	897	220	841 x 16 x 14	19.0	
B141038	905	997	220	945 x 16 x 14	20.0	
B141054	1005	1097	320	1045 x 16 x 14	21.0	
B141040	1128	1216	320	1175 x 20 x 14	23.0	
B141026	1258	1360	320	1311 x 20 x 14	27.0	

Z13

Inspection hatch



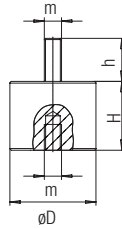
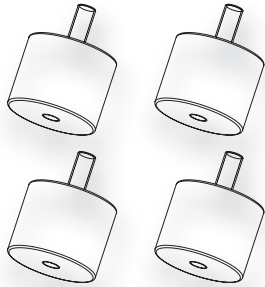
For the inspection of the inside fan casing after installation.

Order no.	b2	e2	e	Weight	
				ca. kg	
B240514	260	110	50	0.4	
B240509	260	160	80	1.0	
B240512	415	280	100	2.7	

ACCESSORIES for centrifugal fans, CREM

Z16

Rubber anti vibration mounts

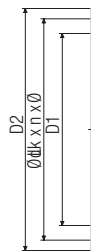
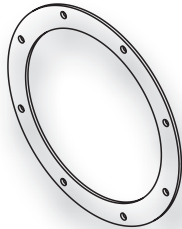


Anti-vibration mounts for compression load. For vibration free installation of the fan on horizontal surfaces. Selection according to fan weight, approximately 55 shore A. Optional spring anti-vibration mounts (on request). Delivered loose. Amount depends on fan.

Typ	Order no.	ø D	H	h	m	max. Fan weight ca. [kg]
1	B149894	25	15	18	M6	52
2	B149877	30	20	18	M8	74
4	B149380	40	30	23	M8	118
5	B148059	50	40	25	M10	180
6	B149928	60	50	38	M12	270
8	B149937	75	55	38	M12	440
9	B149948	100	60	42	M16	920

Z18

Flange - steel



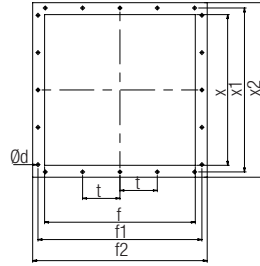
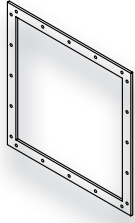
Powder coated in RAL 7015. Supplied loose.

Order no.	ø D1	ø D2	øLk x n x ød	Weight ca. kg
B101468	162	210	180 x 8 x 9.5	0.4
B101463	182	234	204 x 8 x 9.5	0.5
B101464	202	249	219 x 8 x 9.5	0.6
B101465	227	263	233 x 8 x 9.5	0.7
B101441	258	308	286 x 8 x 9.5	0.8
B101442	288	354	332 x 12 x 11.5	0.9
B101443	323	381	356 x 12 x 11.5	1.0
B101444	363	415	395 x 12 x 11.5	1.0
B101445	408	471	438 x 12 x 11.5	2.0
B101446	458	519	486 x 12 x 11.5	2.0
B101447	508	565	541 x 12 x 11.5	2.0
B101448	568	636	605 x 16 x 14	2.0
B101449	638	719	674 x 16 x 14	3.0
B101450	719	799	755 x 16 x 14	4.0
B101451	810	897	841 x 16 x 14	5.0
B101452	910	997	945 x 16 x 14	6.0
B101453	1013	1097	1045 x 16 x 14	6.0
B101454	1132	1216	1175 x 20 x 14	7.0
B101455	1266	1360	1311 x 20 x 14	8.0
B101456	1418	1520	1469 x 24 x 14	10.0

ACCESSORIES for centrifugal fans, CREM

Z19

Flange - steel



Powder coated in RAL 7015. Supplied loose.

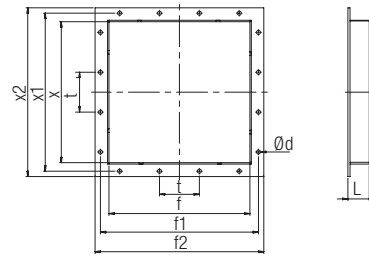
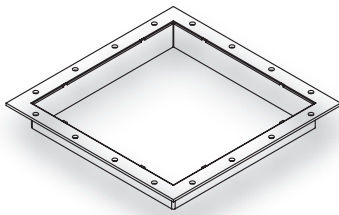
Order no.	f	f1	f2	x	x1	x2	d	t	ca. [kg]
B101200	131	175	212	131	175	212	11.5		1
B101201	146	190	226	146	190	226	11.5		1
B101202	164	208	244	164	208	244	11.5		1
B101203	183	227	263	183	227	263	11.5	100	2
B101204	205	249	285	205	249	285	11.5	100	2
B101205	229	273	309	229	273	309	11.5	100	3
B101206	256	300	336	256	300	336	11.5	100	3
B101207	288	332	368	288	332	368	11.5	100	4
B101208	322	366	402	322	366	402	11.5	100	3
B101209	361	405	441	361	405	441	11.5	100	4
B101210	404	448	484	404	448	484	11.5	100	5
B101211	453	497	533	453	497	533	11.5	100	6
B101212	164	208	244	131	175	221	11.5		1
B101213	183	227	283	146	190	226	11.5	100	2
B101214	205	249	285	164	208	244	11.5	100	2
B101215	229	273	309	183	227	263	11.5	100	3
B101216	256	300	336	205	249	285	11.5	100	3
B101217	288	332	368	229	273	309	11.5	100	3
B101218	322	366	402	256	300	336	11.5	100	3
B101219	361	405	441	288	332	368	11.5	100	4
B101220	404	448	484	322	366	402	11.5	100	5
B101221	453	497	533	361	405	401	11.5	100	6
B101222	507	551	587	404	448	484	11.5	100	7
B101223	569	613	669	453	497	553	11.5	100	9
B101224	205	249	285	131	175	211	11.5	100	2
B101225	229	273	309	146	190	226	11.5	100	3
B101226	256	300	336	164	208	244	11.5	100	3
B101227	288	332	368	183	227	263	11.5	100	3
B101228	322	366	402	205	249	285	11.5	100	3
B101229	361	405	441	229	273	309	11.5	100	4
B101230	404	448	484	256	300	336	11.5	100	5
B101231	453	497	533	288	332	368	11.5	100	6
B101232	507	551	587	322	366	402	11.5	100	7
B101233	569	629	669	361	421	461	11.5	100	9
B101234	638	698	738	404	464	504	11.5	100	11
B101235	715	775	815	453	513	553	11.5	100	14
B101236	256	300	336	131	176	211	11.5	100	3
B101237	288	332	368	146	190	226	11.5	100	3
B101238	322	366	402	164	280	244	11.5	100	3
B101239	361	405	441	183	227	263	11.5	100	4
B101240	404	448	484	205	249	285	11.5	100	5
B101241	453	497	533	229	273	353	11.5	100	6
B101242	507	551	587	256	300	336	11.5	100	7
B101243	569	629	669	288	348	669	14	100	9
B101244	638	698	738	322	382	422	14	100	11
B101245	715	775	815	361	421	461	14	100	14
B101246	801	861	901	404	464	504	14	100	17

B101247	898	968	1018	453	523	573	14	125	22
B101248	801	861	901	507	567	607	14	100	17
B101249	898	968	1018	569	639	689	14	125	22
B101250	638	698	738	507	567	607	14	100	11
B101251	715	775	815	569	629	669	14	100	14
B101252	801	861	901	638	698	738	14	100	17
B101253	898	968	1018	715	785	835	14	125	22
B101254	507	551	587	507	551	587	11.5	100	7
B101255	569	629	669	569	629	669	14	100	9
B101256	638	698	738	638	698	738	14	100	11
B101257	715	775	815	715	775	815	14	100	14
B101258	801	861	901	801	861	901	14	100	17
B101259	898	968	1018	898	968	1018	14	125	22
B101260	1007	1077	1207	1007	1077	1207	14	125	27
B101261	357	391	417	282	316	342	11.5	125	4
B101262	402	436	462	317	351	377	11.5	125	5
B101263	452	496	532	357	401	437	14	125	6
B101264	502	546	582	402	446	482	14	125	7
B101265	562	606	642	452	496	532	14	125	9
B101266	632	676	712	502	546	582	14	125	11
B101267	712	756	802	562	606	652	14	125	13
B101268	802	846	902	632	676	732	14	125	17
B101269	902	946	1002	712	756	812	14	125	21
B101270	1002	1062	1102	802	862	1002	14	125	27
B101271	1122	1182	1222	902	962	1062	14	125	33
B101272	1242	1312	1342	1002	1062	1102	14	125	41

ACCESSORIES for centrifugal fans, CREM

Z45

Steel frame



Steel, powder coated in RAL 7015. Supplied loose.

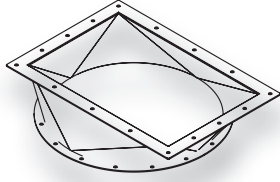
Order no.	f	f1	f2	x	x1	x2	d	t	L	ca. [kg]
B101345	131	175	212	131	175	212	11.5		30	1
B101346	146	190	226	146	190	226	11.5		30	1
B101347	164	208	244	164	208	244	11.5		40	1
B101348	183	227	263	183	227	263	11.5	100	40	1
B101349	205	249	285	205	249	285	11.5	100	40	1
B101350	229	273	309	229	273	309	11.5	100	50	2
B101351	256	300	336	256	300	336	11.5	100	50	2
B101352	288	332	368	288	332	368	11.5	100	50	3
B101353	322	366	402	322	366	402	11.5	100	50	3
B101354	361	405	441	361	405	441	11.5	100	60	4
B101355	404	448	484	404	448	484	11.5	100	70	5
B101356	453	497	533	453	497	533	11.5	100	70	6
B101357	164	208	244	131	175	221	11.5		40	1
B101358	183	227	263	146	190	226	11.5	100	40	1
B101359	205	249	285	164	208	244	11.5	100	50	1
B101360	229	273	309	183	227	263	11.5	100	60	2
B101361	256	300	336	205	249	285	11.5	100	60	2
B101362	288	332	368	229	273	309	11.5	100	60	3
B101363	322	366	402	256	300	336	11.5	100	70	3
B101364	361	405	441	288	332	368	11.5	100	80	4
B101365	404	448	484	322	366	402	11.5	100	100	5
B101366	453	497	533	361	405	441	11.5	100	100	6
B101367	507	551	587	404	448	484	11.5	100	125	8
B101368	569	613	669	453	497	553	11.5	100	125	10
B101369	205	249	285	131	175	211	11.5	100	40	1
B101370	229	273	309	146	190	226	11.5	100	40	2
B101371	256	300	336	16	208	244	11.5	100	60	2
B101372	288	332	368	183	227	263	11.5	100	60	3
B101373	322	366	402	205	249	285	11.5	100	60	3
B101374	361	405	441	229	273	309	11.5	100	60	4
B101375	404	448	484	256	300	336	11.5	100	70	5
B101376	453	497	533	288	332	368	11.5	100	80	6
B101377	507	551	587	322	366	402	11.5	100	100	8
B101378	569	629	669	361	421	461	11.5	100	100	10
B101379	638	698	738	404	464	504	11.5	100	100	13
B101380	715	775	815	453	513	553	11.5	100	125	16
B101381	256	300	336	131	176	211	11.5	100	30	2
B101382	288	332	368	146	190	226	11.5	100	40	3
B101383	322	366	402	164	280	244	11.5	100	40	3
B101384	361	405	441	183	227	263	11.5	100	50	4
B101385	404	448	484	205	249	285	11.5	100	50	5
B101386	453	497	533	229	273	353	11.5	100	60	6
B101387	507	551	587	256	300	336	11.5	100	70	8
B101388	569	629	669	288	348	669	14	100	80	10
B101389	638	698	738	322	382	422	14	100	80	13
B101390	715	775	815	361	421	461	14	100	80	16
B101391	801	861	901	404	464	504	14	100	100	20

B101392	898	968	1018	453	523	573	14	125	100	25
B101393	256	300	336	164	208	244	11.5	100	40	2
B101394	288	332	368	183	227	263	11.5	100	40	3
B101395	322	366	402	205	249	285	11.5	100	50	3
B101396	404	448	484	256	300	336	11.5	100	60	5
B101397	453	497	533	288	332	368	11.5	100	70	6
B101398	507	551	587	322	366	402	11.5	100	80	8
B101399	715	775	815	453	513	553	14	100	100	16
B101400	801	861	901	507	567	607	14	100	125	20
B101402	256	300	336	205	249	285	11.5	100	40	2
B101403	288	332	368	229	273	309	11.5	100	40	3
B101404	322	366	402	256	300	336	11.5	100	50	3
B101405	361	405	441	288	332	368	11.5	100	60	4
B101406	404	448	484	322	366	402	11.5	100	60	5
B101407	453	497	533	361	405	441	11.5	100	70	6
B101408	507	551	587	404	448	484	11.5	100	80	8
B101409	569	629	669	453	513	553	14	100	80	10
B101410	638	698	738	507	567	607	14	100	100	13
B101411	715	775	815	569	629	669	14	100	100	16
B101412	801	861	901	638	698	738	14	100	125	20
B101413	898	968	1018	715	785	835	14	125	125	25
B101414	288	332	368	288	332	368	11.5	100	40	3
B101415	404	448	484	404	448	484	11.5	100	60	5
B101416	507	551	587	507	551	587	11.5	100	80	8
B101417	569	629	669	569	629	669	14	100	100	10
B101418	638	698	738	638	698	738	14	100	100	13
B101419	715	775	815	715	775	815	14	100	100	16
B101420	801	861	901	801	861	901	14	100	125	20
B101421	898	968	1018	898	968	1018	14	125	125	25
B101422	322	366	402	322	366	402	11.5	100	40	3
B101423	361	405	441	361	405	441	11.5	100	50	4
B101424	453	497	533	453	497	533	11.5	100	60	6
B101425	507	551	587	507	551	587	11.5	100	70	8
B101426	569	629	669	569	629	669	11.5	100	80	10
B101428	357	391	417	282	316	342	11.5	125	40	4
B101429	402	436	462	317	351	377	11.5	125	40	5
B101430	452	496	532	357	401	437	14	125	60	6
B101431	502	546	582	402	446	482	14	125	60	8
B101432	562	606	642	452	496	532	14	125	60	10
B101433	632	676	712	502	546	582	14	125	70	12
B101434	712	756	802	562	606	652	14	125	80	15
B101435	802	846	902	632	676	732	14	125	100	19
B101436	902	946	1002	712	756	812	14	125	100	24
B101437	1002	1062	1102	802	862	1002	14	125	125	30
B101438	1122	1182	1222	902	962	1062	14	125	125	38
B101439	1242	1312	1342	1002	1062	1102	14	125	125	47
B256818	1007	1077	1207	1007	1077	1207	14	125	125	31

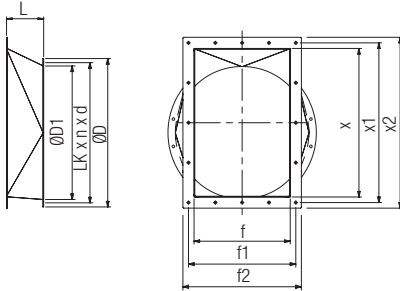
ACCESSORIES for centrifugal fans, CREM

Z63

Transition piece



Transition piece from round to square.
Connection dimensions angular adapted to the pressure side, connection dimensions round adapted to suction side. Steel, powder coated in RAL 7015. Supplied loose.



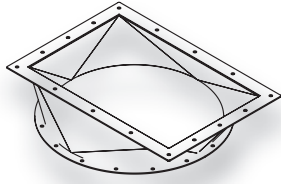
Order no.	ØD	ØD1	f	f1	f2	x	x1	x2	L	LK x n x d	ca. [kg]
B101470	234	174	131	175	212	131	175	212	75	204 x 4 x 8.5	1
B101471	250	199	146	190	226	146	190	226	84	219 x 4 x 8.5	2
B101472	255	211	164	208	244	164	208	244	94	233 x 6 x 8.5	2
B101473	308	258	183	227	263	183	227	263	106	258 x 6 x 8.5	3
B101474	354	288	205	249	285	205	249	285	119	286 x 6 x 8.5	3
B101475	381	323	229	273	309	229	273	309	135	356 x 12 x 8.5	4
B101476	415	363	256	300	336	256	300	336	150	395 x 12 x 8.5	5
B101477	471	408	288	332	368	288	332	368	168	438 x 12 x 8.5	6
B101478	519	458	322	366	402	322	366	402	188	486 x 12 x 8.5	8
B101479	565	508	361	405	441	361	405	441	210	541 x 12 x 8.5	10
B101480	636	568	404	448	484	404	448	484	236	605 x 16 x 8.5	12
B101481	689	608	453	497	533	453	497	533	266	674 x 16 x 8.5	14
B101482	250	199	164	208	244	131	175	221	84	219 x 4 x 8.5	2
B101483	255	211	183	227	283	146	190	226	94	233 x 4 x 8.5	2
B101484	308	258	205	249	285	164	208	244	106	286 x 6 x 8.5	3
B101485	354	288	229	273	309	183	227	263	119	332 x 8 x 8.5	3
B101486	381	323	256	300	336	205	249	285	135	356 x 12 x 8.5	4
B101487	415	363	288	332	368	229	273	309	150	395 x 12 x 8.5	5
B101488	471	408	322	366	402	256	300	336	168	438 x 12 x 8.5	6
B101489	519	458	361	405	441	288	332	368	188	486 x 12 x 8.5	8
B101490	565	508	404	448	484	322	366	402	210	541 x 12 x 8.5	10
B101491	636	568	453	497	533	361	405	401	236	605 x 16 x 8.5	12
B101492	689	608	507	551	587	404	448	484	266	674 x 16 x 8.5	14
B101493	719	638	569	613	669	453	497	553	300	755 x 16 x 8.5	15
B101494	255	211	205	249	285	131	175	211	94	233 x 6 x 8.5	2
B101495	308	258	229	273	309	146	190	226	106	286 x 8 x 8.5	3
B101496	354	288	256	300	336	16	208	244	119	332 x 8 x 8.5	3
B101497	381	323	288	332	368	183	227	263	135	356 x 12 x 8.5	4
B101498	415	363	322	366	402	205	249	285	150	395 x 12 x 8.5	5
B101499	471	408	361	405	441	229	273	309	168	438 x 12 x 8.5	6
B101500	519	458	404	448	484	256	300	336	188	486 x 12 x 8.5	8
B101501	565	508	453	497	533	288	332	368	210	541 x 12 x 8.5	10
B101502	636	568	507	551	587	322	366	402	236	605 x 16 x 8.5	12
B101503	689	608	569	629	669	361	421	461	266	674 x 16 x 8.5	14
B101504	719	638	638	698	738	404	464	504	300	755 x 16 x 8.5	15
B101505	799	719	715	775	815	453	513	553	338	841 x 16 x 10.5	19
B101506	308	258	256	300	336	131	176	211	106	286 x 8 x 8.5	3
B101507	354	288	288	332	368	146	190	226	116	322 x 8 x 8.5	3
B101508	381	323	322	366	402	164	280	244	135	356 x 12 x 8.5	4
B101509	415	363	361	405	441	183	227	263	150	395 x 12 x 8.5	5
B101510	471	408	404	448	484	205	249	285	168	438 x 12 x 8.5	6
B101511	519	458	453	497	533	229	273	353	188	486 x 12 x 8.5	8
B101512	565	508	507	551	587	256	300	336	210	541 x 12 x 8.5	10
B101513	636	568	569	629	669	288	348	669	236	605 x 16 x 8.5	12
B101514	719	608	638	698	738	322	382	422	266	674 x 16 x 8.5	15
B101515	799	638	715	775	815	361	421	461	300	755 x 16 x 8.5	17
B101516	879	719	801	861	901	404	464	504	338	841 x 16 x 10.5	21
B101517	997	810	898	968	1018	453	523	573	375	945 x 16 x 10.5	27
B101518	354	288	256	300	336	164	208	244	119	332 x 8 x 8.5	3
B101519	381	323	288	332	368	183	227	263	135	356 x 12 x 8.5	4
B101520	415	363	322	366	402	205	249	285	150	395 x 12 x 8.5	5
B101521	471	408	361	405	441	229	273	309	168	438 x 12 x 8.5	6
B101522	519	458	404	448	484	256	300	336	188	486 x 12 x 8.5	8
B101523	565	508	453	497	533	288	332	368	210	541 x 12 x 8.5	10
B101524	636	568	507	551	587	322	366	402	236	605 x 16 x 8.5	12
B101525	719	608	569	629	669	361	421	461	266	674 x 16 x 8.5	15
B101526	799	638	368	698	738	404	464	504	300	755 x 16 x 8.5	17
B101527	897	719	715	775	815	453	513	553	338	841 x 16 x 10.5	21
B101528	997	810	801	861	901	507	567	607	375	945 x 16 x 10.5	27
B101529	1097	910	898	968	1018	569	639	689	420	1045 x 16 x 10.5	33
B101530	381	323	256	300	336	205	249	285	135	356 x 12 x 8.5	4
B101531	415	363	288	332	368	229	273	309	150	395 x 12 x 8.5	5

Continuation next side

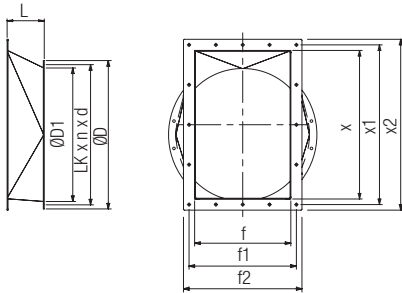
ACCESSORIES for centrifugal fans, CREM

Z63

Transition piece



Transition piece from round to square.
Connection dimensions angular adapted to the pressure side, connection dimensions round adapted to suction side. Steel, powder coated in RAL 7015. Supplied loose.

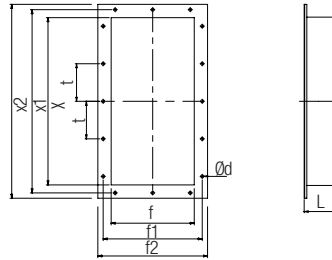
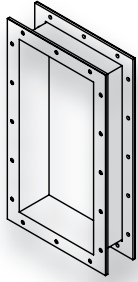


Order no.	ØD	ØD1	f	f1	f2	x	x1	x2	L	LK x n x d	ca. [kg]
B101532	471	408	322	366	402	256	300	336	168	438 x 12 x 8.5	6
B101533	519	458	361	405	441	288	332	368	188	486 x 12 x 8.5	8
B101534	565	508	404	448	484	322	366	402	210	541 x 12 x 8.5	10
B101535	363	568	453	497	533	361	405	441	236	605 x 16 x 8.5	7
B101536	719	608	507	551	587	404	448	484	266	674 x 16 x 8.5	15
B101537	799	638	569	629	669	453	513	553	300	755 x 16 x 8.5	17
B101538	897	719	638	698	738	507	567	607	338	841 x 16 x 10.5	21
B101539	997	810	715	775	815	569	629	669	375	945 x 16 x 10.5	27
B101540	1097	910	801	861	901	638	698	738	420	1045 x 16 x 10.5	33
B101541	1216	1013	898	968	1018	715	785	835	473	1175 x 16 x 10.5	41
B101542	415	363	256	300	336	256	300	336	150	395 x 12 x 8.5	5
B101543	471	408	288	332	368	288	332	368	168	438 x 12 x 8.5	6
B101544	519	458	322	366	402	322	366	402	188	486 x 12 x 8.5	8
B101545	565	508	361	405	441	361	405	441	210	541 x 12 x 8.5	10
B101546	636	568	404	448	484	404	448	484	236	605 x 16 x 8.5	12
B101547	719	608	453	497	533	453	497	533	266	674 x 16 x 8.5	15
B101548	799	638	507	551	587	507	551	587	300	755 x 16 x 8.5	17
B101549	897	719	569	629	669	569	629	669	388	841 x 16 x 10.5	21
B101550	997	810	638	698	738	638	698	738	375	945 x 16 x 10.5	27
B101551	1097	910	715	775	815	715	775	815	420	1045 x 16 x 10.5	33
B101552	1216	1013	801	861	901	801	861	901	473	1175 x 20 x 10.5	41
B101553	1360	1132	898	968	1018	898	968	1018	533	1311 x 20 x 10.5	51
B101554	471	408	288	332	368	288	332	368	168	438 x 12 x 8.5	6
B101555	519	458	322	366	402	322	366	402	188	486 x 12 x 8.5	8
B101556	656	508	361	405	441	361	405	441	210	541 x 12 x 8.5	11
B101557	636	568	404	448	484	404	448	484	236	605 x 12 x 8.5	12
B101558	719	608	453	497	533	453	497	533	266	674 x 16 x 8.5	15
B101559	799	638	507	551	587	507	551	587	300	755 x 16 x 8.5	17
B101560	897	719	569	629	669	569	629	669	338	841 x 16 x 10.5	21
B101561	997	810	638	698	738	638	698	738	375	945 x 16 x 10.5	27
B101562	1097	910	715	775	815	715	775	815	420	1045 x 16 x 10.5	33
B101563	1216	1013	801	861	901	801	861	901	473	1175 x 20 x 10.5	41
B101564	1360	1132	898	968	1018	898	968	1018	533	1311 x 20 x 10.5	51
B101565	1520	1266	1007	1077	1207	1007	1077	1207	600	1469 x 24 x 10.5	64
B101566	471	408	357	391	417	282	316	342	168	438 x 12 x 8.5	6
B101567	519	458	402	436	462	317	351	377	188	486 x 12 x 8.5	8
B101568	565	508	452	496	532	257	401	337	210	541 x 12 x 8.5	10
B101569	636	568	502	546	582	402	446	482	266	605 x 16 x 8.5	12
B101570	689	608	562	606	642	452	496	532	300	674 x 16 x 8.5	14
B101571	719	638	632	676	712	502	546	582	338	755 x 16 x 8.5	15
B101572	799	719	712	756	802	562	606	652	375	981 x 16 x 10.5	19
B101573	897	810	802	846	902	632	676	732	420	945 x 16 x 10.5	24
B101574	997	910	902	946	1002	712	756	812	743	1045 x 20 x 10.5	30
B101575	1097	1013	1002	1062	1102	802	862	902	533	1175 x 20 x 10.5	37
B101576	1216	1132	1122	1182	1222	902	962	1062	600	1311 x 20 x 10.5	46
B101577	1360	1266	1242	1312	1342	1002	1062	1102	675	1469 x 24 x 10.5	57

ACCESSORIES for centrifugal fans, CREM

Z81

Flexible sleeve, square



For the prevention of impact sound transmission between fan and duct system, cuff made of PVC with fabric reinforcement.

Incl. 2 frames for mounting. Up to 80 ° C.

Order no.	f	f1	f2	x	x1	x2	d	t	L	ca. [kg]
B101273	131	175	212	131	175	212	11.5		150	6
B101274	146	190	226	146	190	226	11.5		150	8
B101275	164	208	244	164	208	244	11.5		150	10
B101276	183	227	263	183	227	263	11.5	100	150	7
B101277	205	249	285	205	249	285	11.5	100	150	15
B101278	229	273	309	229	273	309	11.5	100	150	17
B101279	256	300	336	256	300	336	11.5	100	150	21
B101280	288	332	368	288	332	368	11.5	100	150	27
B101281	322	366	402	322	366	402	11.5	100	150	33
B101282	361	405	441	361	405	441	11.5	100	150	41
B101283	404	448	484	404	448	484	11.5	100	150	5
B101284	453	497	533	453	497	533	11.5	100	150	6
B101285	164	208	244	131	175	221	11.5		150	8
B101286	183	227	263	146	190	226	11.5	100	150	10
B101287	205	249	285	164	208	244	11.5	100	150	12
B101288	229	273	309	183	227	263	11.5	100	150	15
B101289	256	300	336	205	249	285	11.5	100	150	17
B101290	288	332	368	229	273	309	11.5	100	150	21
B101291	322	366	402	256	300	336	11.5	100	150	27
B101292	361	405	441	288	332	368	11.5	100	150	33
B101293	404	448	484	322	366	402	11.5	100	150	41
B101294	453	497	533	361	405	441	11.5	100	150	51
B101295	507	551	587	404	448	484	11.5	100	150	6
B101296	569	613	669	453	497	553	11.5	100	150	8
B101297	205	249	285	131	175	211	11.5	100	150	11
B101298	229	273	309	146	190	226	11.5	100	150	12
B101299	256	300	336	16	208	244	11.5	100	150	15
B101300	288	332	368	183	227	263	11.5	100	150	17
B101301	322	366	402	205	249	285	11.5	100	150	21
B101302	361	405	441	229	273	309	11.5	100	150	27
B101303	404	448	484	256	300	336	11.5	100	150	33
B101304	453	497	533	288	332	368	11.5	100	150	41
B101305	507	551	587	322	366	402	11.5	100	150	51
B101306	569	629	669	361	421	461	11.5	100	150	64
B101307	638	698	738	404	464	504	11.5	100	150	6
B101308	256	300	336	131	176	211	11.5	100	150	8
B101309	288	332	368	146	190	226	11.5	100	150	10
B101310	322	366	402	164	280	244	11.5	100	150	12
B101311	361	405	441	183	227	263	11.5	100	150	14
B101312	404	448	484	205	249	285	11.5	100	150	15
B101313	453	497	533	229	273	353	11.5	100	150	19
B101314	507	551	587	256	300	336	11.5	100	150	24
B101315	569	629	669	288	348	669	14	100	150	30

B101316	638	698	738	322	382	422	14	100	150	37
B101317	715	775	815	361	421	461	14	100	150	46
B101318	801	861	901	404	464	504	14	100	150	57
B101319	898	968	1018	453	523	573	14	125	150	
B101320	801	861	901	507	567	607	14	100	150	
B101321	898	968	1018	569	639	689	14	125	150	
B101322	638	698	738	507	567	607	14	100	150	
B101323	715	775	815	569	629	669	14	100	150	
B101324	801	861	901	638	698	738	14	100	150	
B101325	898	968	1018	715	785	835	14	125	150	
B101326	507	551	587	507	551	587	11.5	100	100	
B101327	569	629	669	569	629	669	14	100	150	
B101328	638	698	738	638	698	738	14	100	150	
B101329	715	775	815	715	775	815	14	100	150	
B101330	801	861	901	801	861	901	14	100	150	
B101331	898	968	1018	898	968	1018	14	125	150	
B101333	357	391	417	282	316	342	11.5	125	100	
B101334	402	436	462	317	351	377	11.5	125	100	
B101335	452	496	532	357	401	437	14	125	100	
B101336	502	546	582	402	446	482	14	125	100	
B101337	562	606	642	452	496	532	14	125	100	
B101338	632	676	712	502	546	582	14	125	150	
B101339	712	756	802	562	606	652	14	125	150	
B101340	802	846	902	632	676	732	14	125	150	
B101341	902	946	1002	712	756	812	14	125	150	
B101342	1002	1062	1102	802	862	1002	14	125	150	
B101343	1122	1182	1222	902	962	1062	14	125	150	
B101344	1242	1312	1342	1002	1062	1102	14	125	150	
B101440	715	775	815	453	513	553	11.5	100	150	
B256840	1007	1077	1207	1007	1077	1207	14	125	150	

Z89

Condensate drain

To drain the condensate that may be incurred in the fan.

POLLRICHDLK®
FAN FACTORIES

Axial fans
The basic series



... you should get to know!

CENTRIFUGAL PLUG FAN PREM

71 / 400-1120

Application:

The direct driven radial plug fans of product group PREM (Thermoplug[®] by Pollrich DLK) can be used for ventilation of clean and slightly dusty air for various applications.

The main advantages:

- Aerodynamically optimized impellers
- High efficiency
- Compact design
- Robust design
- Easy installation
- High volume flows
- Customized solutions

Permissible flow temperature:

-20 to + 300 °C. Higher operating temperatures on request.

Casing:

Welded housing in mild steel. Optimum corrosion protection by powder coating (RAL 7015) .
Optional: Hot-dip galvanizing, special coating , stainless steel.

Impeller:

High performance radial impeller, single inlet, backward curved blades.
Standard, in mild steel or stainless steel. Dynamically balanced to DIN ISO 1940-1 grade G 6.3 <4 mm / s.
Optimum corrosion protection by powder coating (RAL 7015) .
Optional: Increased speed with high strength materials, stainless steel, with attached or loose delivered inlet cone.

Drive:

Three-phase motor, IP55, insulation class F, IE2, up to and including 3 kW: 230V/400V, 400V/690V from 4 kW upward. Coolant temperature at motor max. 40 °C.
Thermistors wired to the motor terminal box.
Optional: Custom motor specification.

Output adjustment:

Our motors are standard equipped with PTC thermistors for operation with frequency converter (FU) with all-pole sinus filter. The maximum speed of the impeller and the max. Power output of the motor are to be observed.

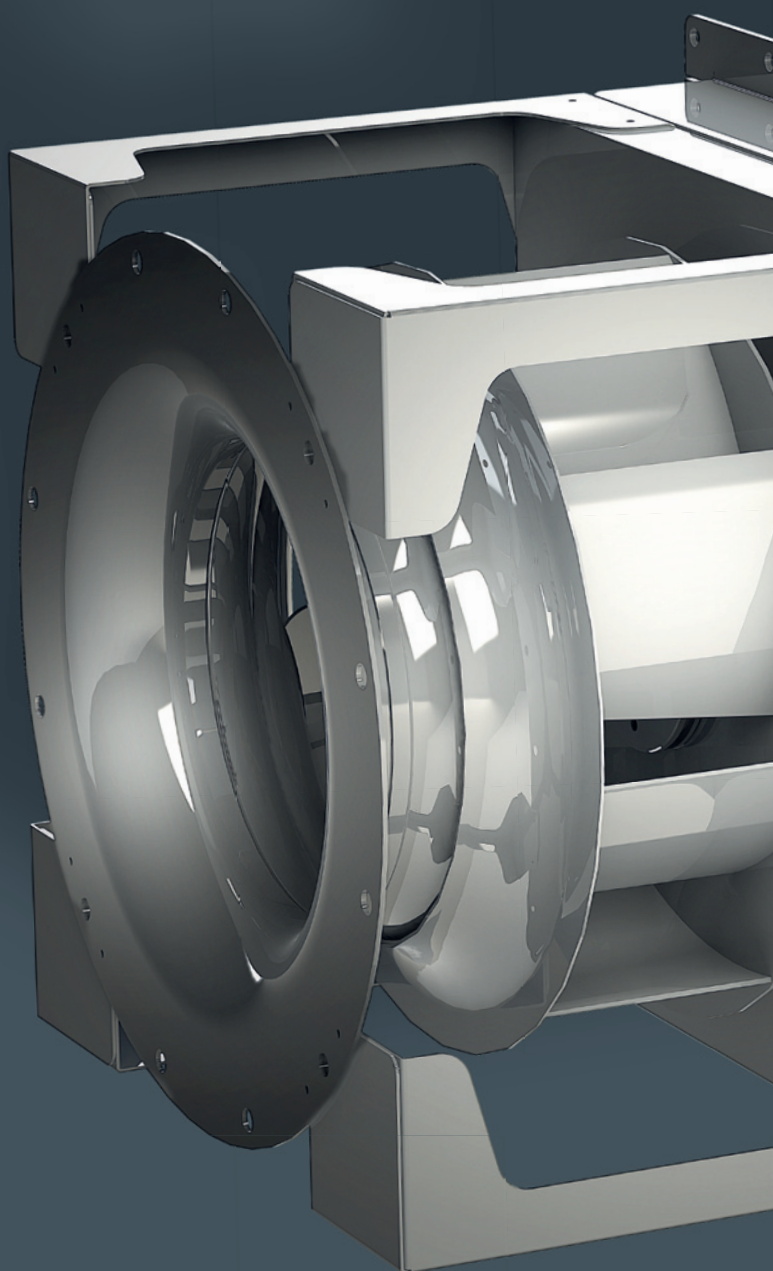
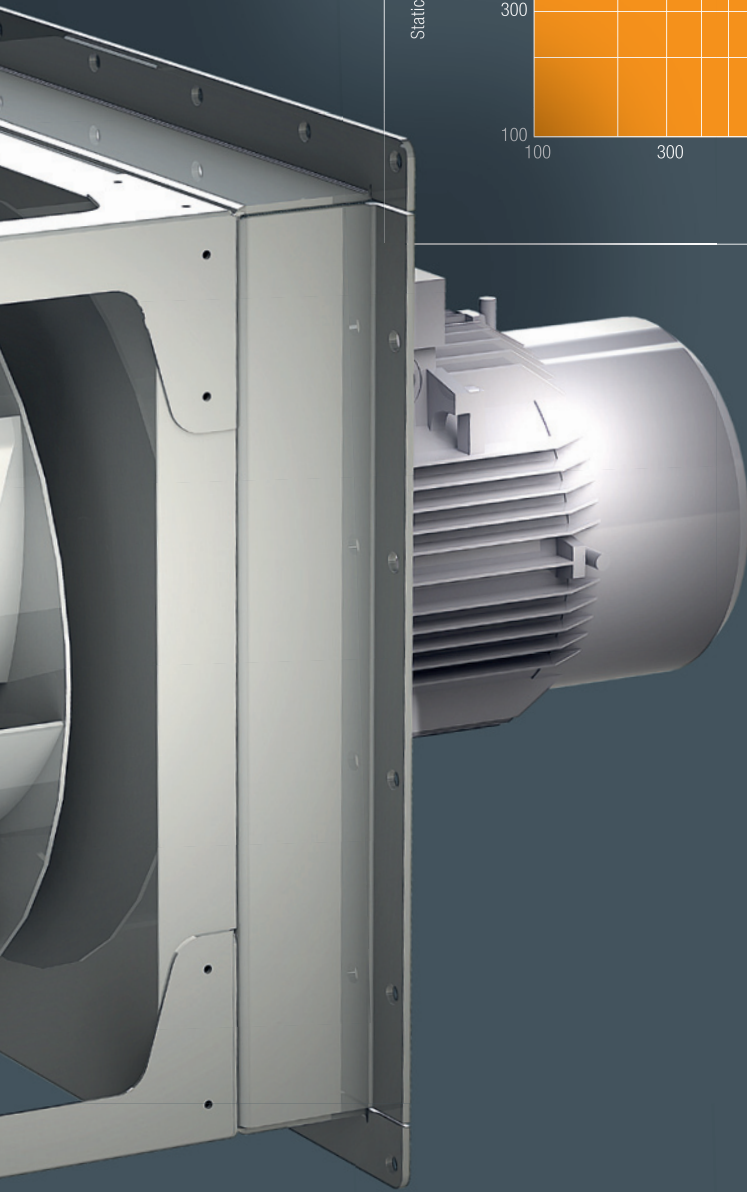
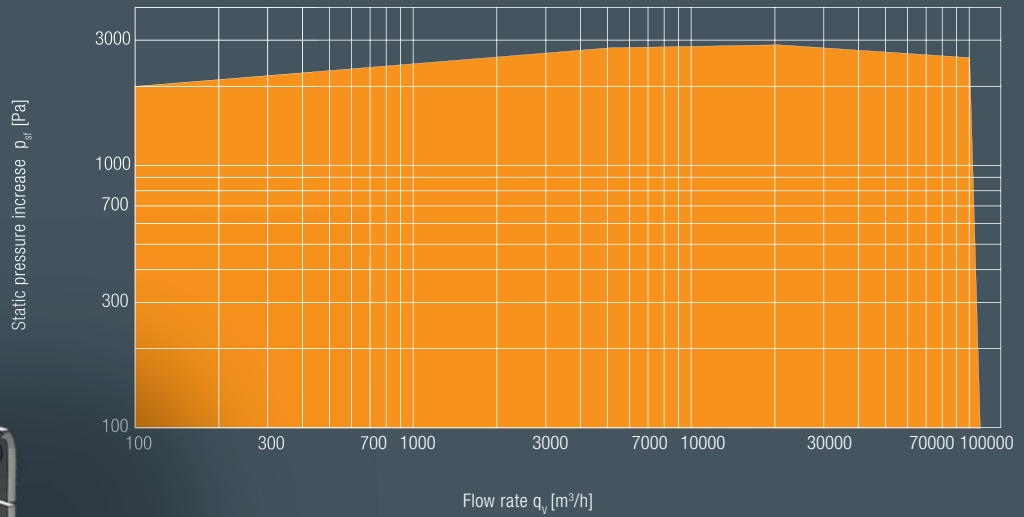


Image with accessories **Z24** = Attached inlet cone

Thermoplug by Pollrich DLK



Air performance curves:

Show the total pressure increase p_t as a function of the volume flow q_v for pressure-side duct connection. Power is measured at the suction chamber and ducted test rigs according to DIN 24163 and ISO 5801 for an air density of 1.2 kg / m³ and 20 °C. For the operating data of our fans tolerances are in accordance with accuracy class 2 according to DIN 24166.

ATEX:

All fans are also available under ATEX 94/9/EG Directive.

Units:

All dimensions in this catalogue are given in mm, Weights in kg.

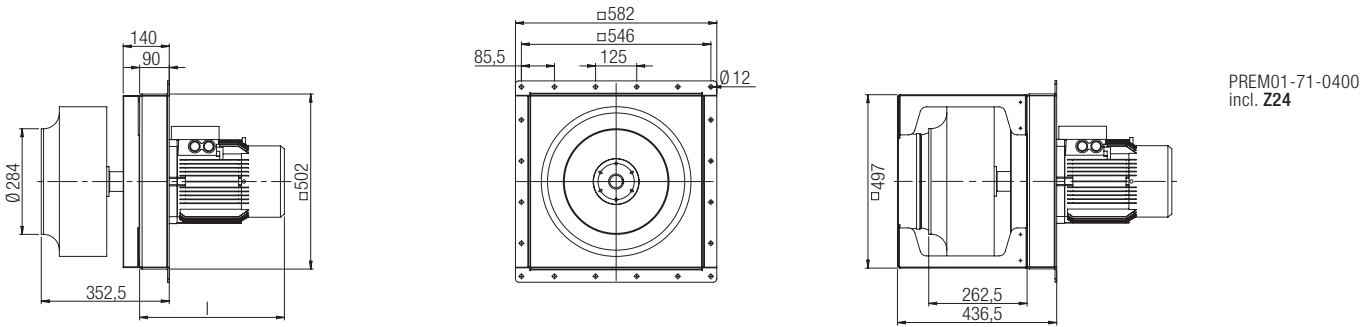
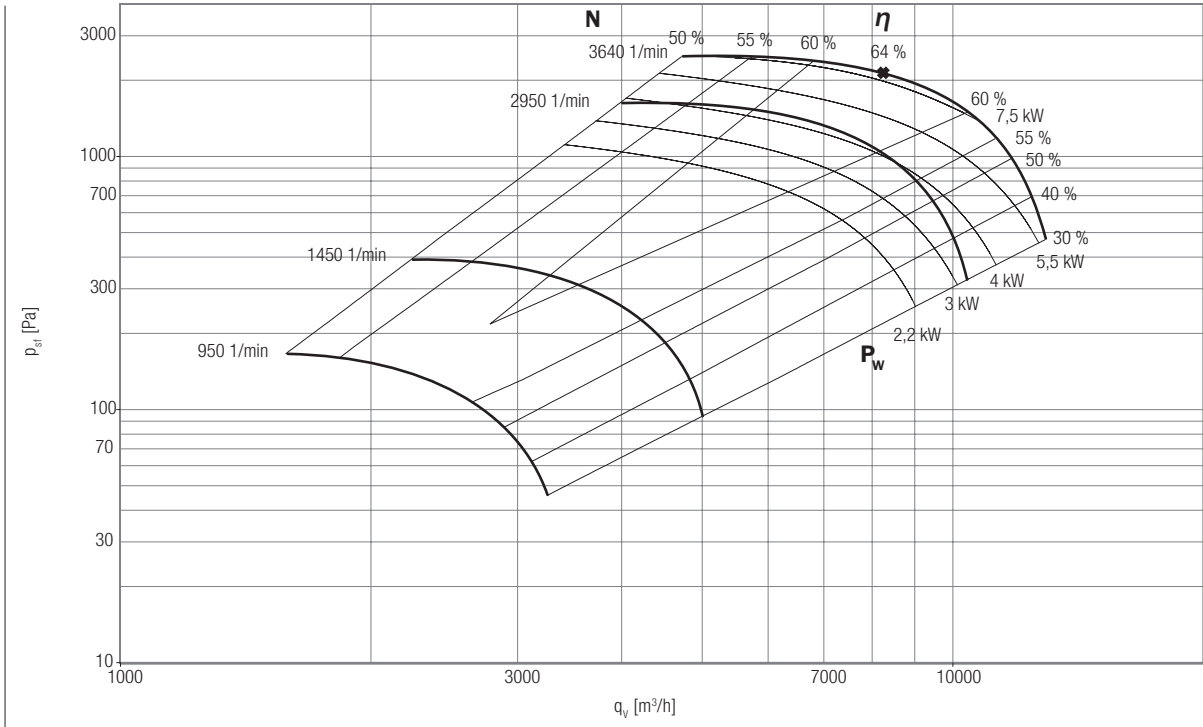
Tender Specifications:

Please refer to the Download section of our website <http://www.pollrichdlk.com>

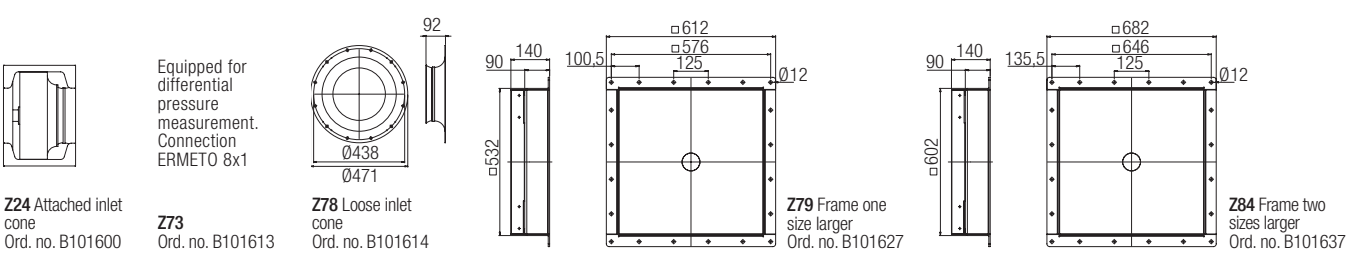
Subject to change.

PREM01-71-0400 Plug fan

Thermoplug by Pollrich DLK



PREM01-71-0400 incl. Z24



Equipped for differential pressure measurement. Connection ERMETO 8x1

Z24 Attached inlet cone
Ord. no. B101600

Z73
Ord. no. B101613

Z78 Loose inlet cone
Ord. no. B101614

Z79 Frame one size larger
Ord. no. B101627

Z84 Frame two sizes larger
Ord. no. B101637

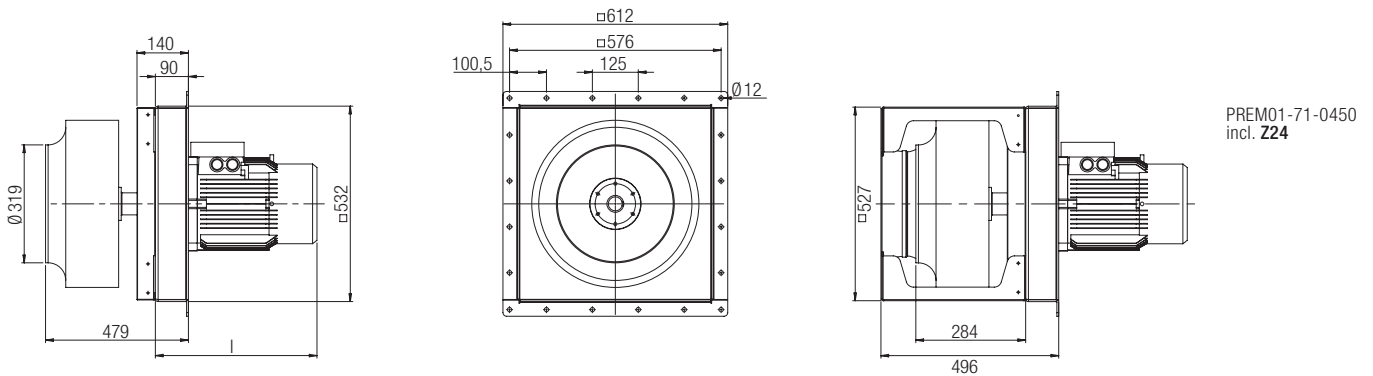
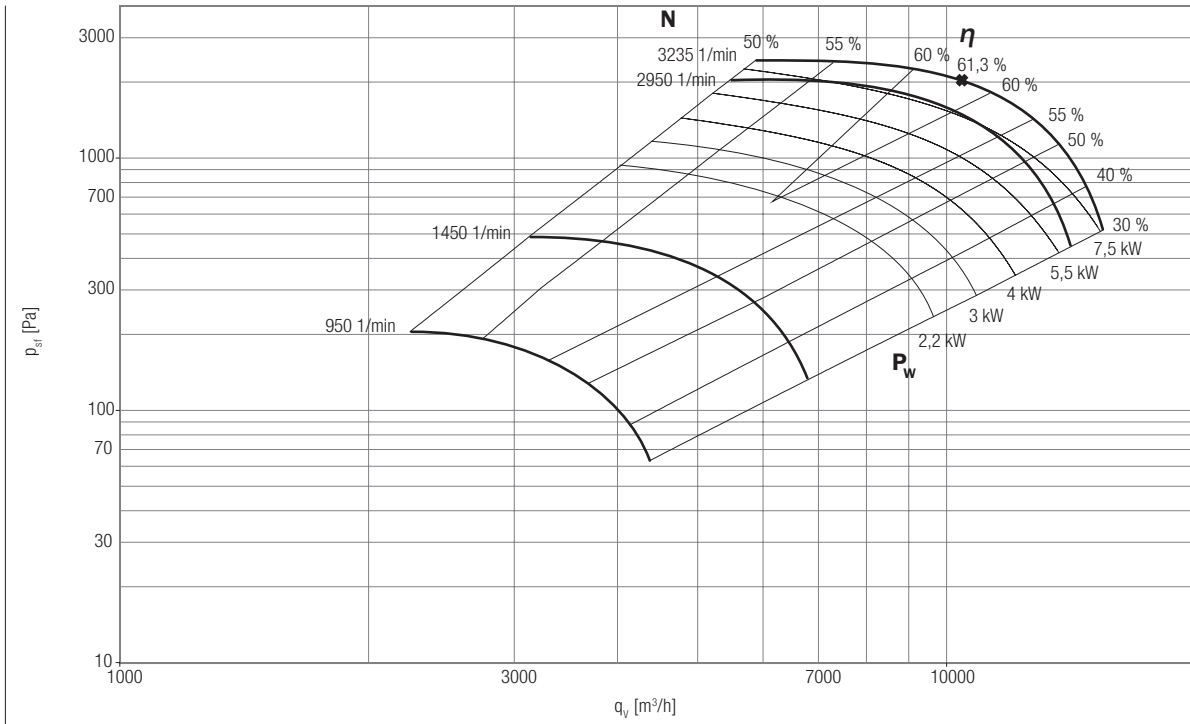
PREM01-71-0400-B

Order no. Fan	Motor power output [kW]	Speed [1/min]	Voltage [V] Connection	Nominal current [A]	Starting current [A]	Weight ca. [kg]	l [mm]
B112000	3	2891	230/400 Δ/Y	5.9	46.9	47	378
B112001	4	2914	400/690 Δ/Y	7.6	57.3	50	396
B112002	5.5	2937	400/690 Δ/Y	10.6	79.5	66	456
B112003	7.5	2940	400/690 Δ/Y	13.9	104.3	71	456
B112004	11	2930	400/690 Δ/Y	19.9	151.2	114	566
B112005	2.2	1440	230/400 Δ/Y	4.6	15.2	49	378
B112006	3	1440	230/400 Δ/Y	6.2	43.3	55	378

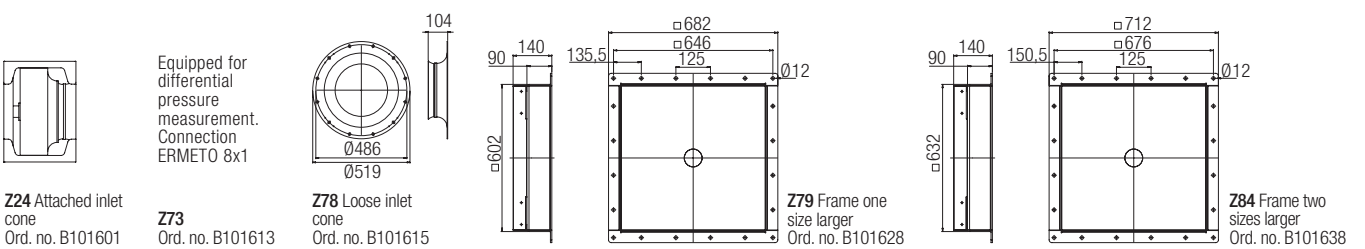
All indicated values for 400 V/50 Hz/3~.

PREM01-71-0450 Plug fan

Thermoplug by Polrich DLK



PREM01-71-0450 incl. Z24



Equipped for differential pressure measurement. Connection ERMETO 8x1

Z24 Attached inlet cone
Ord. no. B101601

Z73
Ord. no. B101613

Z78 Loose inlet cone
Ord. no. B101615

Z79 Frame one size larger
Ord. no. B101628

Z84 Frame two sizes larger
Ord. no. B101638

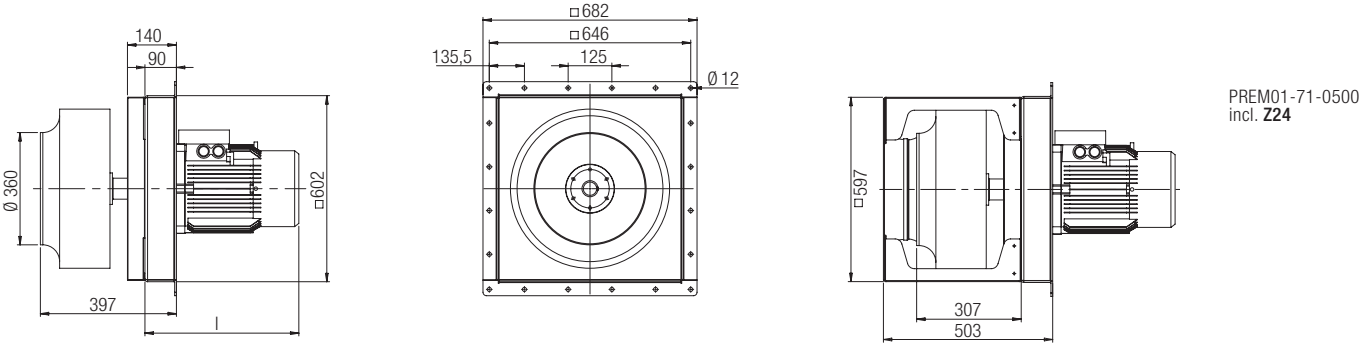
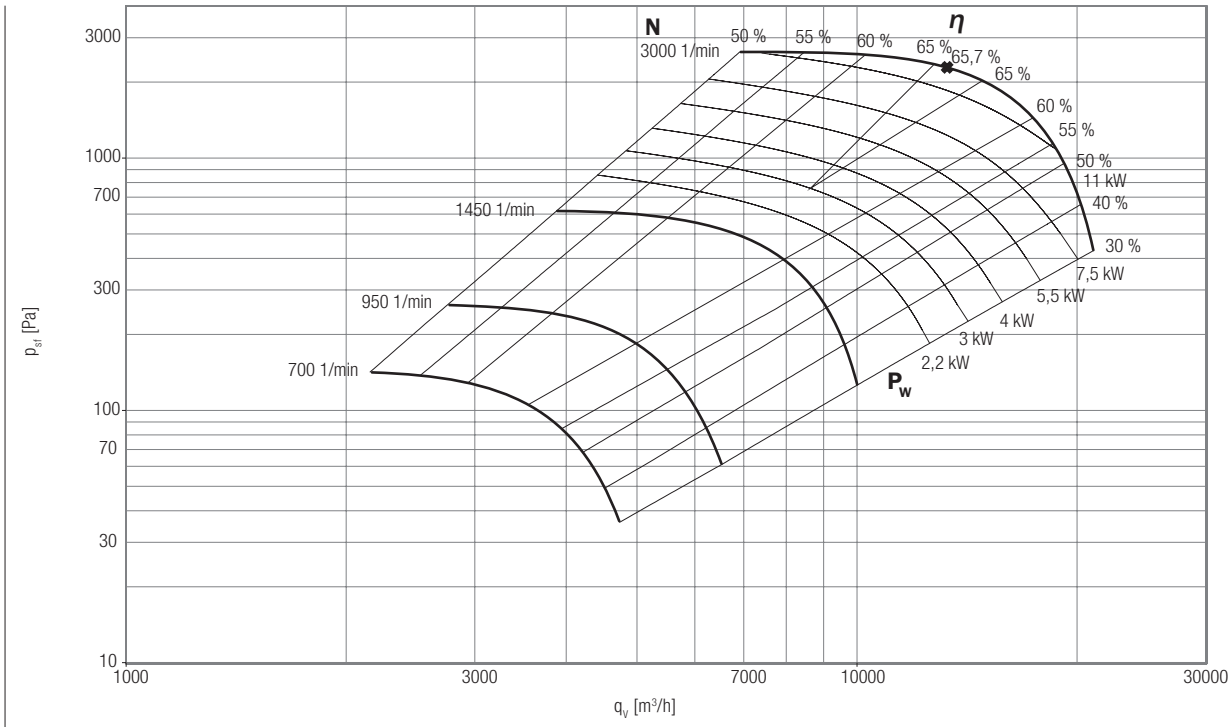
PREM01-71-0450-B

Fan	Order no.	Motor power output [kW]	Speed [1/min]	Voltage [V] Connection	Nominal current [A]	Starting current [A]	Weight ca. [kg]	I [mm]
B112007		7.5	2940	400/690 Δ/Y	13.9	104.3	78	456
B112008		11	2930	400/690 Δ/Y	19.9	151.2	121	566
B112009		15	2930	400/690 Δ/Y	26.6	202.2	130	566
B112010		18.5	2937	400/690 Δ/Y	33.0	244.2	140	621
B112011		22	2940	400/690 Δ/Y	38.2	298.0	212	651
B112012		2.2	1440	230/400 Δ/Y	4.6	32.0	56	378
B112013		3	1440	230/400 Δ/Y	6.2	49.4	62	378
B112014		4	1445	400/690 Δ/Y	8.1	60.9	67	396
B112015		5.5	1455	400/690 Δ/Y	10.9	81.8	78	456

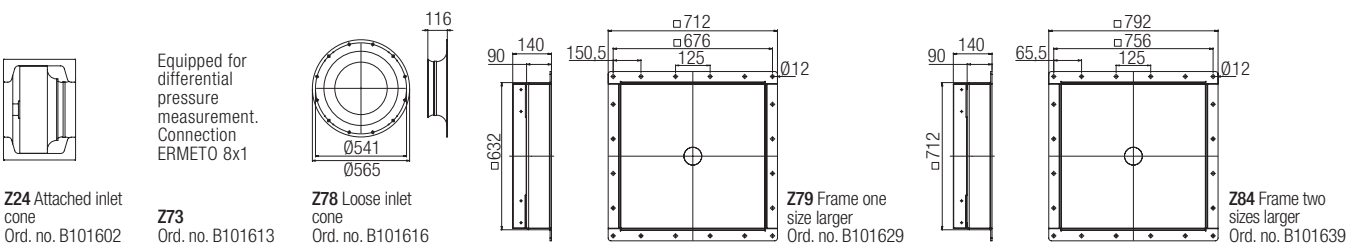
All indicated values for 400 V/50 Hz/3~.

PREM01-71-0500 Plug fan

Thermoplug by Pollrich DLK



PREM01-71-0500 incl. Z24



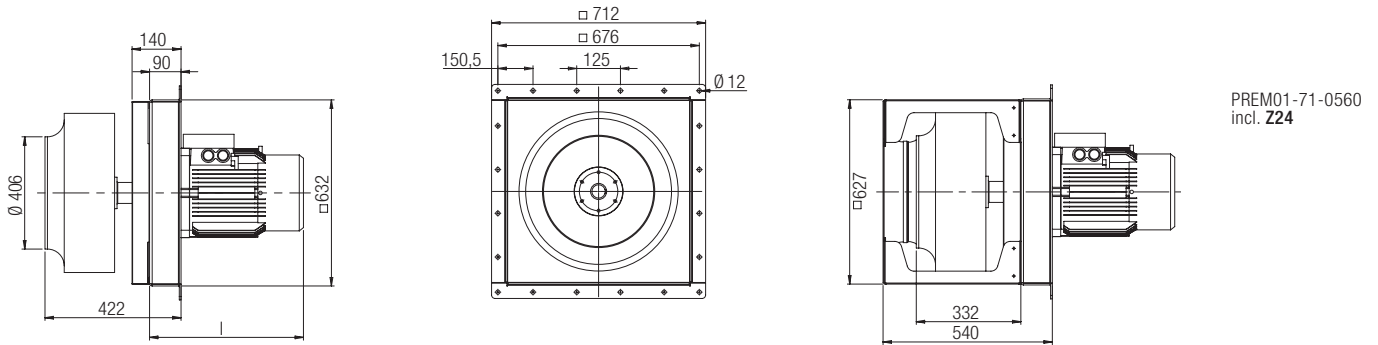
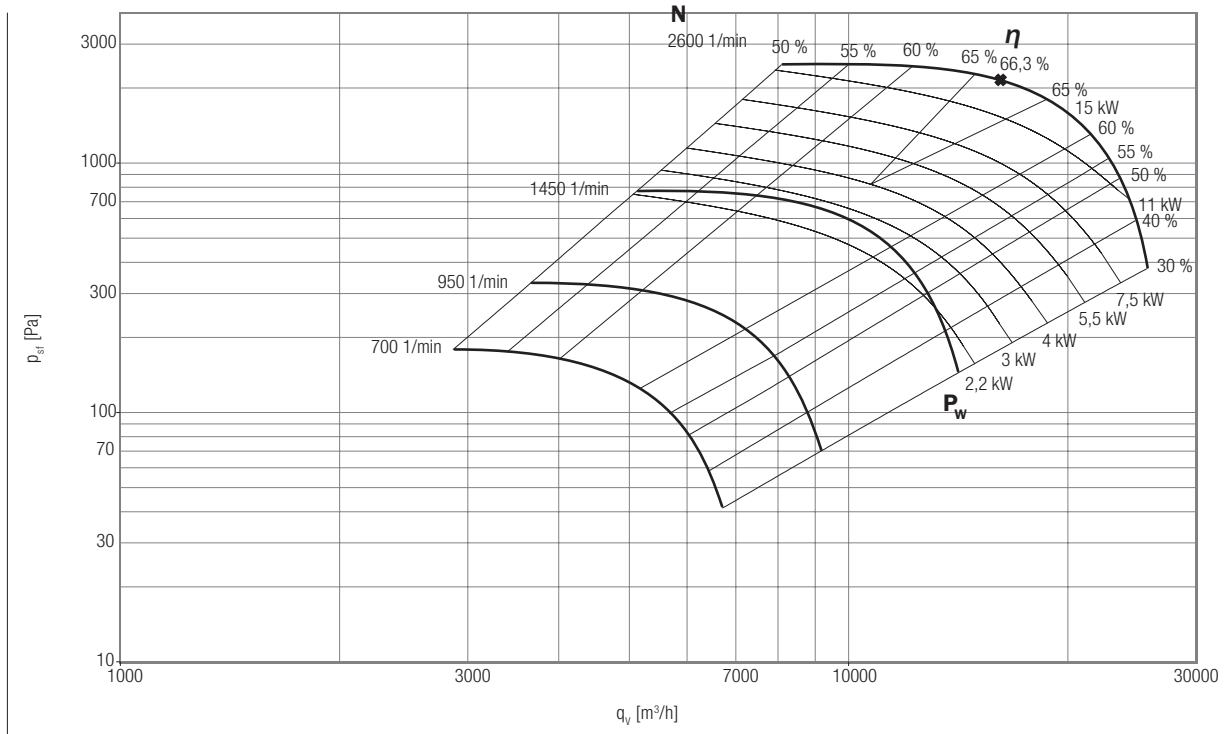
PREM01-71-0500-B

Order no. Fan	Motor power output [kW]	Speed [1/min]	Voltage [V] Connection	Nominal current [A]	Starting current [A]	Weight ca. [kg]	l [mm]
B112016	11	2930	400/690 Δ/Y	19.9	151.24	136	566
B112017	15	2930	400/690 Δ/Y	26.6	202.2	145	566
B112018	18.5	2930	400/690 Δ/Y	33.0	244.2	155	621
B112019	22	2940	400/690 Δ/Y	38.2	298.0	227	651
B112020	30	2950	400/690 Δ/Y	51.7	403.3	281	723
B112021	2.2	1440	230/400 Δ/Y	4.6	32.5	71	378
B112022	3	1440	230/400 Δ/Y	6.2	43.3	77	378
B112023	4	1445	400/690 Δ/Y	8.1	60.9	82	396
B112024	5.5	1455	400/690 Δ/Y	10.9	69.8	93	456
B112025	7.5	1455	400/690 Δ/Y	14.5	101.5	104	456
B112026	11	1460	400/690 Δ/Y	22.1	152.5	139	566

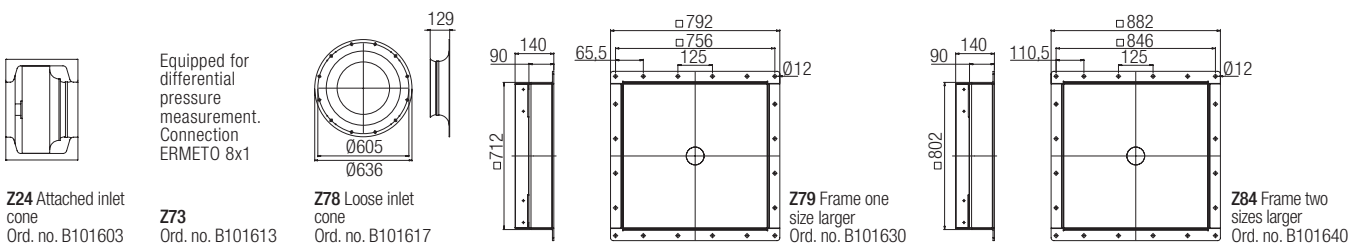
All indicated values for 400 V/50 Hz/3~.

PREM01-71-0560 Plug fan

Thermoplug by Polrich DLK



PREM01-71-0560
incl. Z24



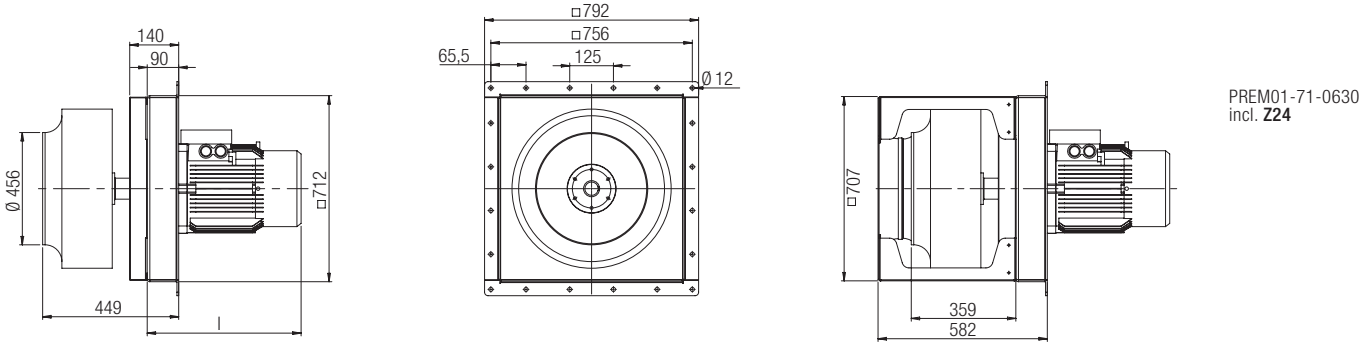
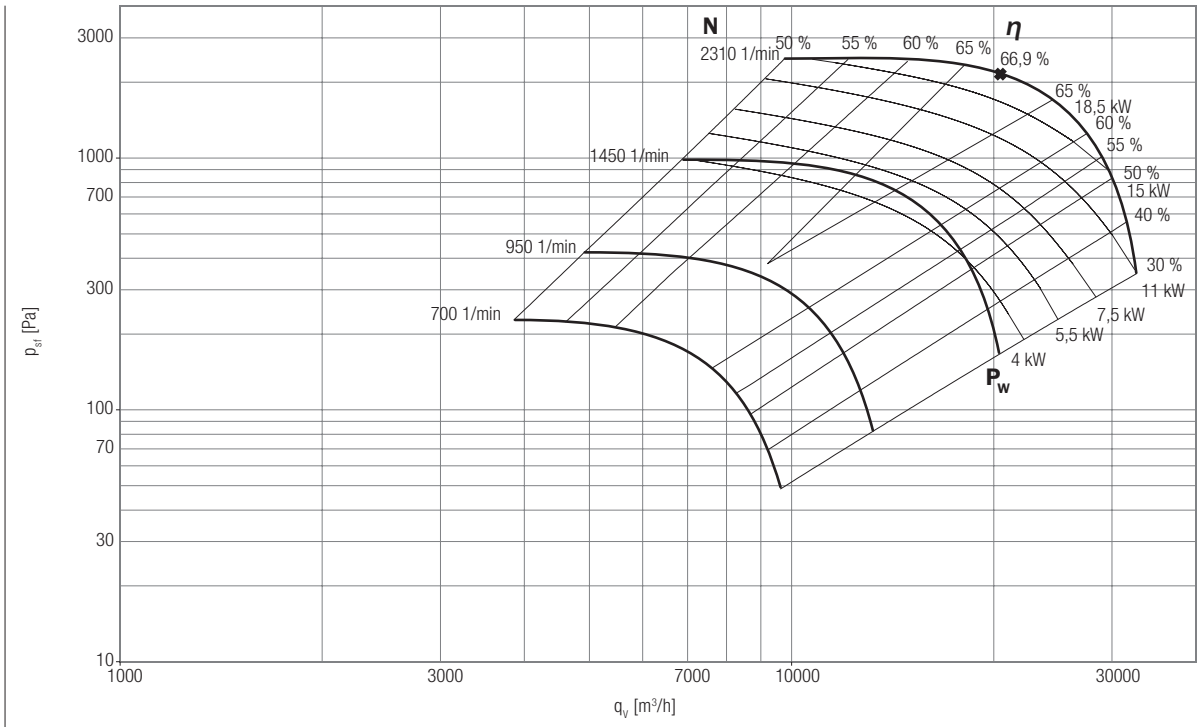
PREM01-71-0560-B

Order no. Fan	Motor power output [kW]	Speed [1/min]	Voltage [V] Connection	Nominal current [A]	Starting current [A]	Weight ca. [kg]	l [mm]
B112027	18.5	2937	400/690 Δ/Y	33.0	244.2	172	621
B112028	22	2940	400/690 Δ/Y	38.2	298.0	244	651
B112029	30	2950	400/690 Δ/Y	51.7	403.3	298	723
B112030	2.2	1440	230/400 Δ/Y	4.6	32.5	88	378
B112031	3	1440	230/400 Δ/Y	6.2	43.3	94	378
B112032	4	1445	400/690 Δ/Y	8.1	60.9	99	396
B112033	5.5	1455	400/690 Δ/Y	10.9	69.8	110	456
B112034	7.5	1455	400/690 Δ/Y	14.5	101.5	121	566
B112035	11	1460	400/690 Δ/Y	22.1	152.5	156	566
B112036	15	1460	400/690 Δ/Y	29.6	222.0	171	621
B112037	18.5	1470	400/690 Δ/Y	32.7	255.1	242	651

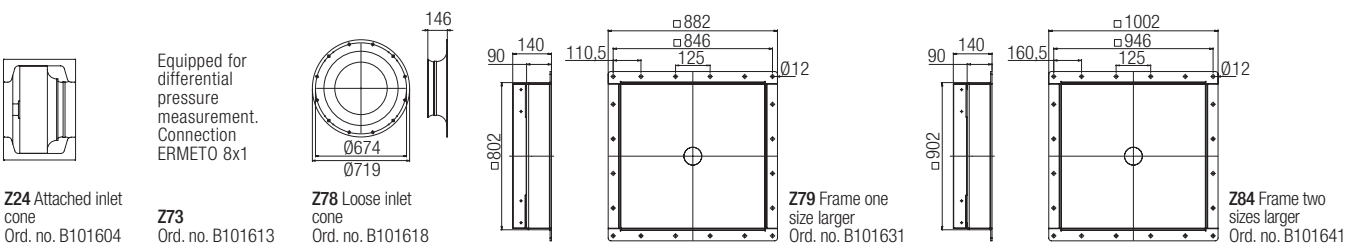
All indicated values for 400 V/50 Hz/3~.

PREM01-71-0630 Plug fan

Thermoplug by Pollrich DLK



PREM01-71-0630
incl. Z24



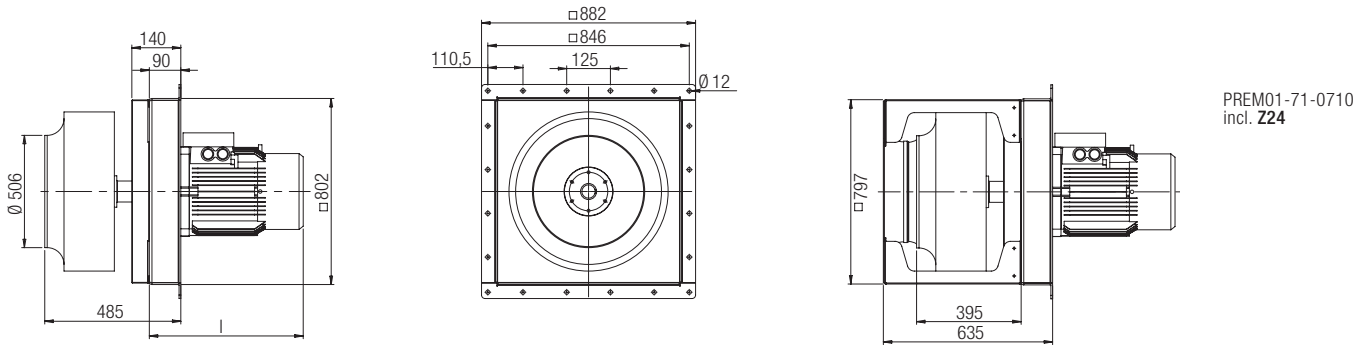
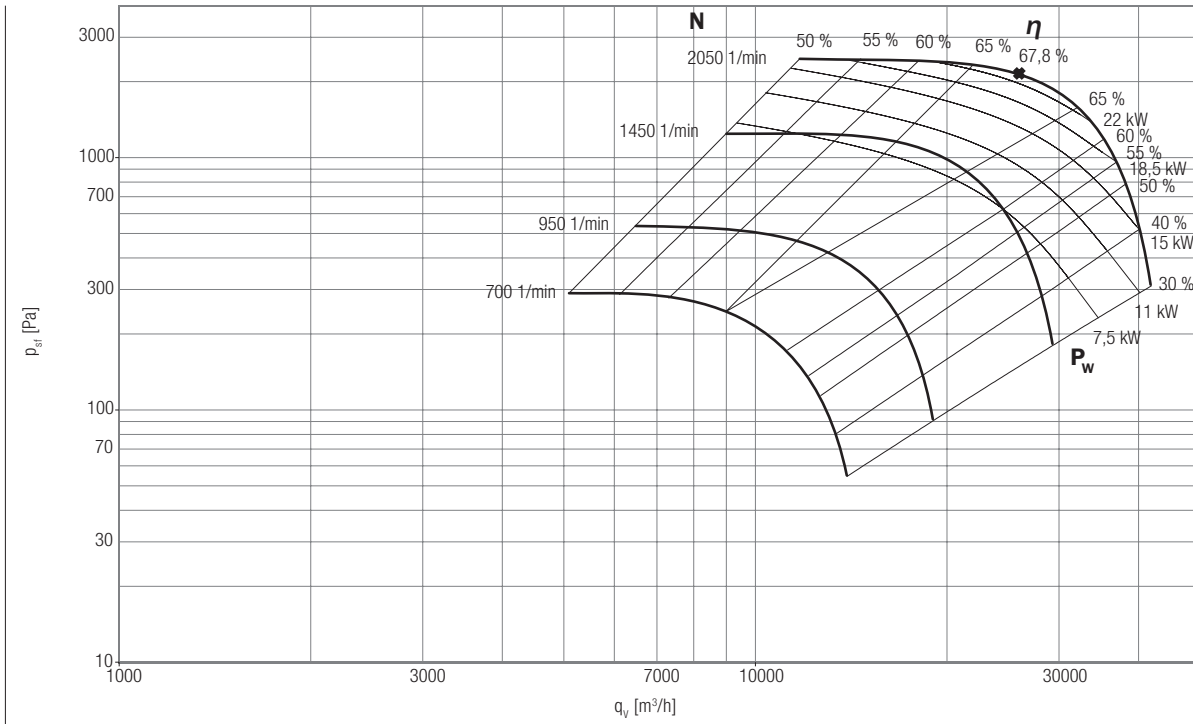
PREM01-71-0630-B

Order no. Fan	Motor power output [kW]	Speed [1/min]	Voltage [V] Connection	Nominal current [A]	Starting current [A]	Weight ca. [kg]	l [mm]
B112038	30	2950	400/690 Δ/Y	51.7	403.3	318	723
B112039	4	1445	400/690 Δ/Y	8.1	60.9	119	396
B112040	5.5	1455	400/690 Δ/Y	10.9	69.8	130	456
B112041	7.5	1455	400/690 Δ/Y	14.5	101.5	141	456
B112042	11	1460	400/690 Δ/Y	22.1	152.5	176	566
B112043	15	1460	400/690 Δ/Y	29.6	222	191	621
B112044	18.5	1470	400/690 Δ/Y	32.7	255.1	262	651
B112045	22	1470	400/690 Δ/Y	38.4	288.0	277	691

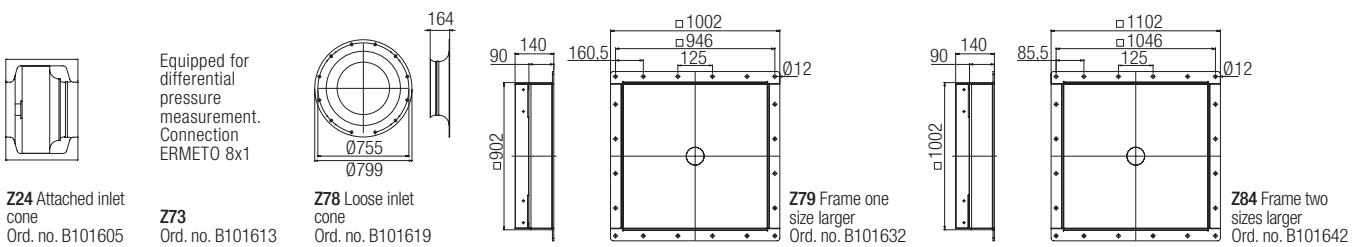
All indicated values for 400 V/50 Hz/3~.

PREM01-71-0710 Plug fan

Thermoplug by Polrich DLK



PREM01-71-0710 incl. Z24



Equipped for differential pressure measurement. Connection ERMETO 8x1

Z24 Attached inlet cone
Ord. no. B101605

Z73
Ord. no. B101613

Z78 Loose inlet cone
Ord. no. B101619

Z79 Frame one size larger
Ord. no. B101632

Z84 Frame two sizes larger
Ord. no. B101642

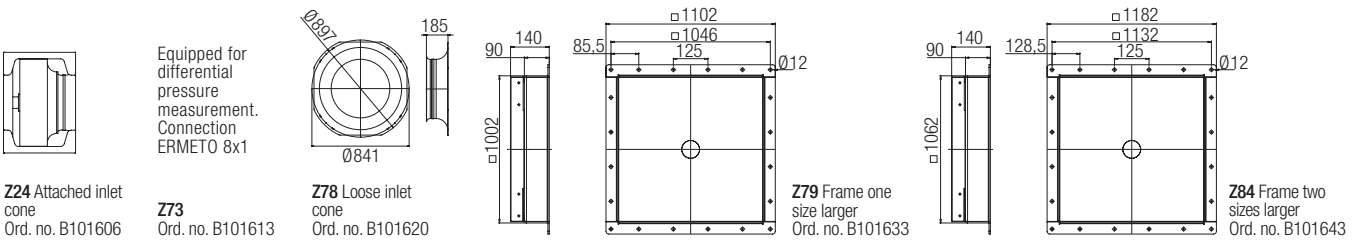
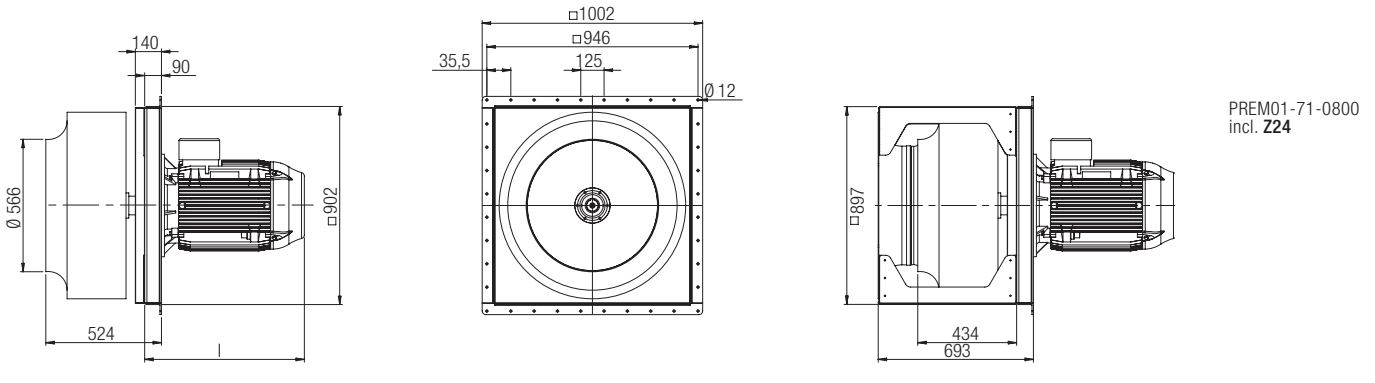
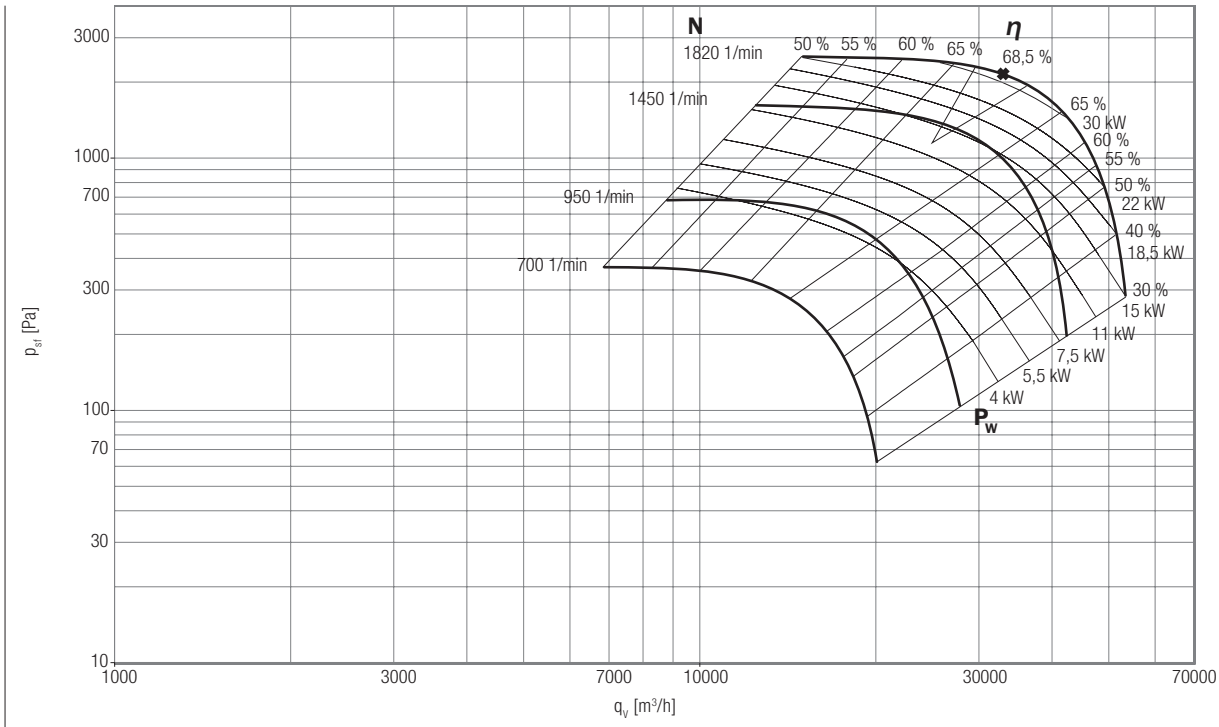
PREM01-71-0710-B

Order no. Fan	Motor power output [kW]	Speed [1/min]	Voltage [V] Connection	Nominal current [A]	Starting current [A]	Weight ca. [kg]	l [mm]
B112046	55	2965	400/690 Δ/Y	93.6	664.6	362	883
B112047	7.5	1455	400/690 Δ/Y	14.5	101.5	165	456
B112048	11	1460	400/690 Δ/Y	22.1	152.5	200	566
B112049	15	1460	400/690 Δ/Y	29.6	222.0	215	621
B112050	18.5	1470	400/690 Δ/Y	32.7	255.1	286	651
B112051	22	1470	400/690 Δ/Y	38.4	288.0	301	691
B112052	30	1470	400/690 Δ/Y	52.1	369.9	371	723
B112053	37	1480	400/690 Δ/Y	66.2	496.5	411	766
B112054	45	1480	400/690 Δ/Y	80.1	608.8	441	796

All indicated values for 400 V/50 Hz/3~.

PREM01-71-0800 Plug fan

Thermoplug by Pollrich DLK



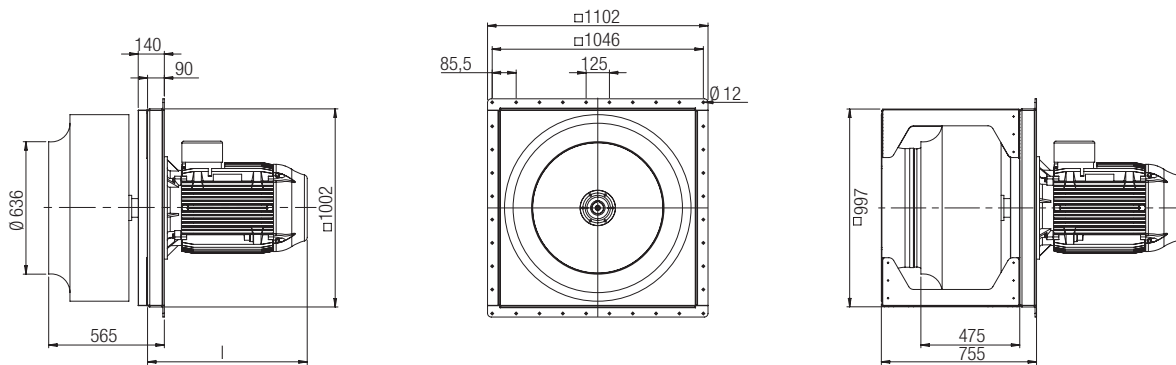
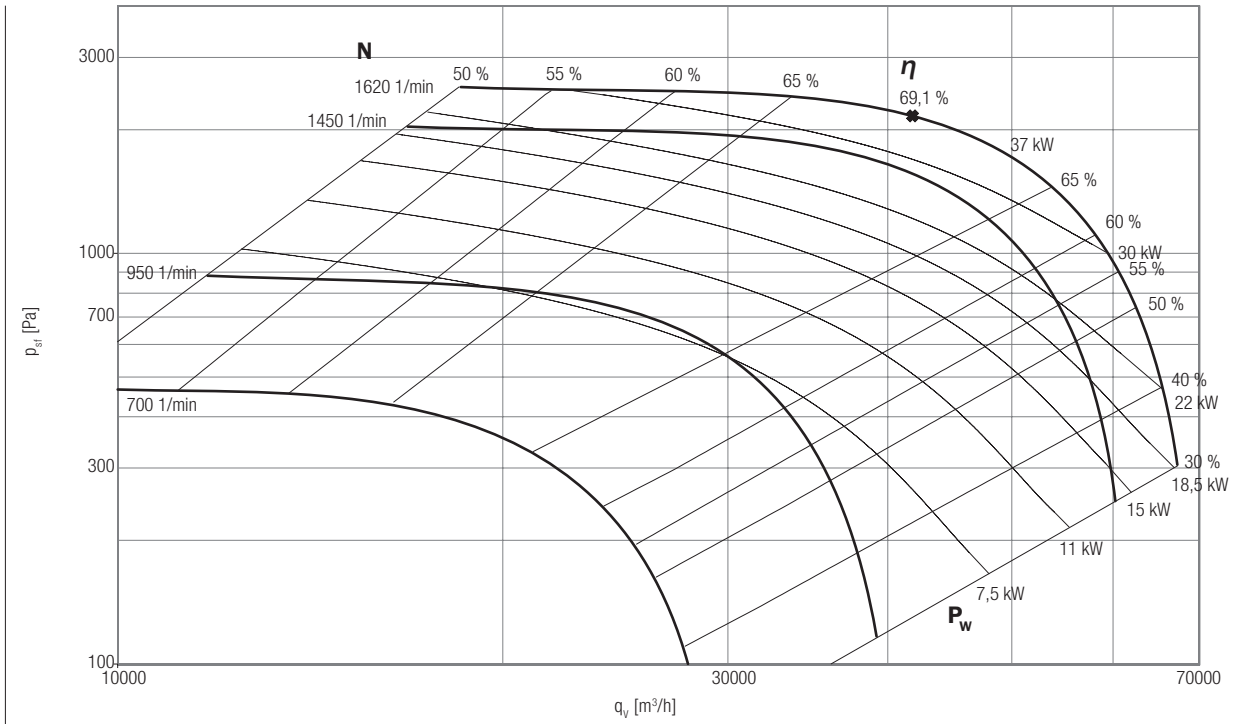
PREM01-71-0800-B

Order no. Fan	Motor power output [kW]	Speed [1/min]	Voltage [V] Connection	Nominal current [A]	Starting current [A]	Weight ca. [kg]	l [mm]
B112055	15	1460	400/690 Δ/Y	29.6	222.0	241	621
B112056	18.5	1470	400/690 Δ/Y	32.7	255.1	312	651
B112057	22	1470	400/690 Δ/Y	38.4	288.0	327	691
B112058	30	1470	400/690 Δ/Y	52.1	369.9	397	723
B112059	37	1480	400/690 Δ/Y	66.2	496.5	437	766
B112060	45	1480	400/690 Δ/Y	80.1	608.8	467	796
B112061	4	965	400/690 Δ/Y	9.0	448.0	180	494
B112062	5.5	965	400/690 Δ/Y	12.0	66.0	134	494
B112063	7.5	970	400/690 Δ/Y	15.9	103.4	227	566
B112064	11	970	400/690 Δ/Y	22.1	165.8	240	621
B112065	15	975	400/690 Δ/Y	29.8	190.7	325	691

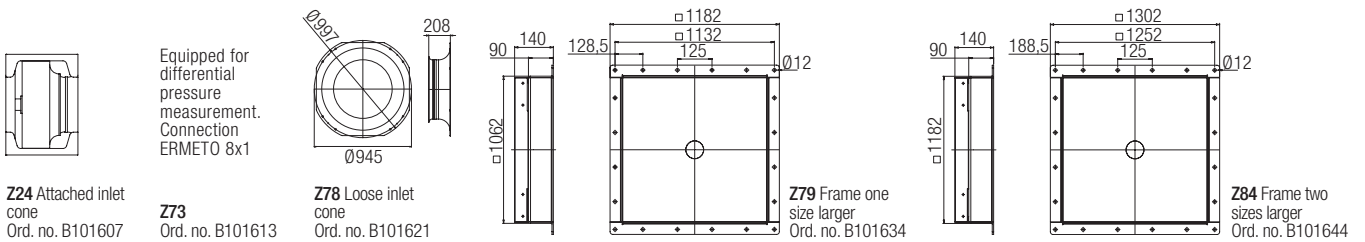
All indicated values for 400 V/50 Hz/3~.

PREM01-71-0900 Plug fan

Thermoplug by Poltrich DLK



PREM01-71-0900
incl. Z24



Z24 Attached inlet cone
Ord. no. B101607

Z73
Ord. no. B101613

Z78 Loose inlet cone
Ord. no. B101621

Z79 Frame one size larger
Ord. no. B101634

Z84 Frame two sizes larger
Ord. no. B101644

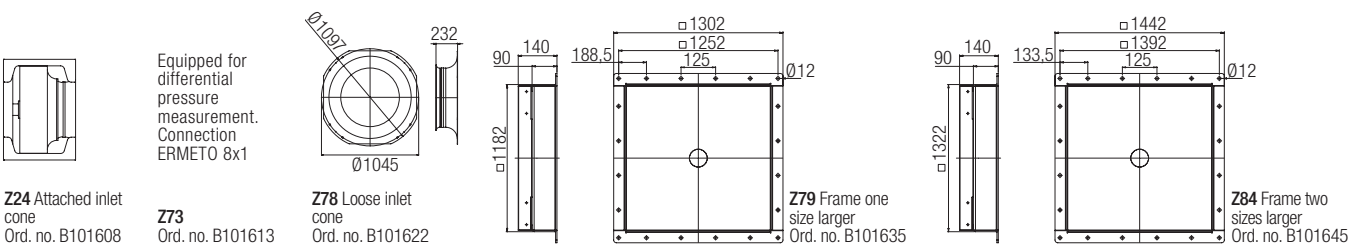
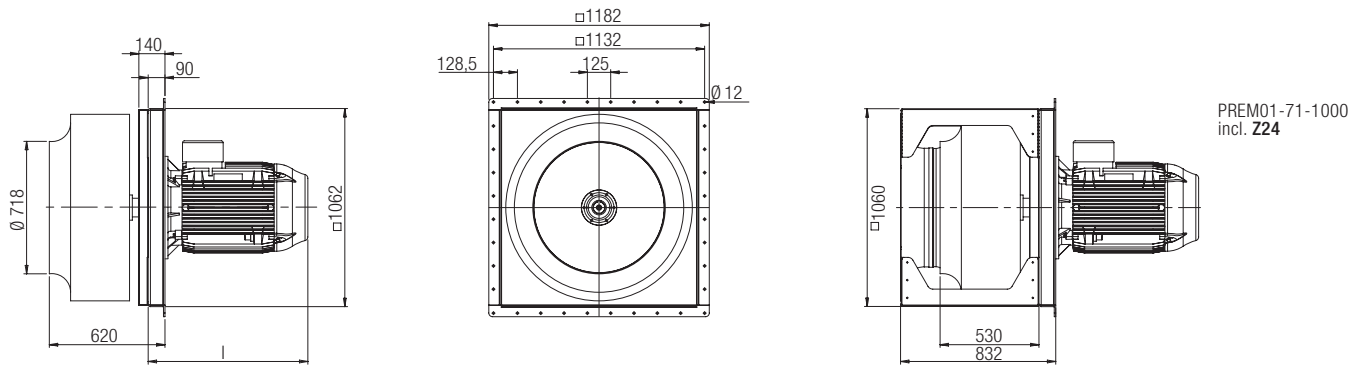
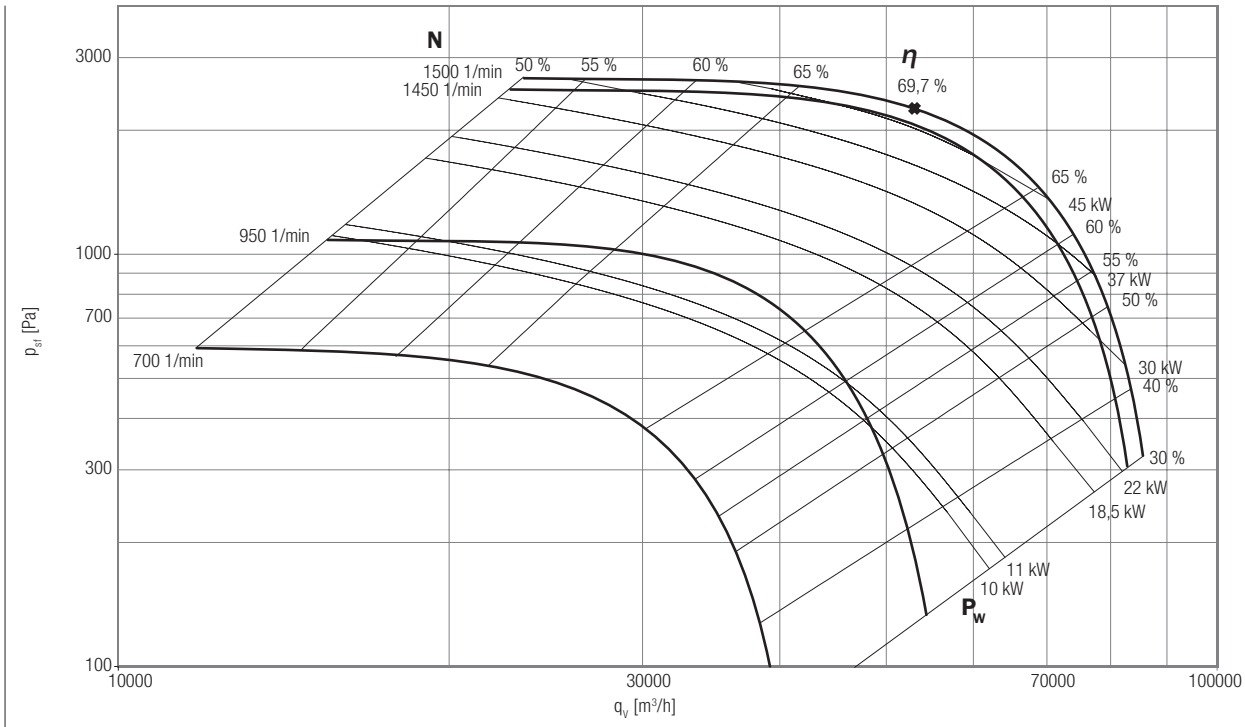
PREM01-71-0900-B

Order no. Fan	Motor power output [kW]	Speed [1/min]	Voltage [V] Connection	Nominal current [A]	Starting current [A]	Weight ca. [kg]	l [mm]
B112066	22	1470	400/690 Δ/Y	38.4	288.0	356	691
B112067	30	1470	400/690 Δ/Y	52.1	369.9	426	723
B112068	37	1480	400/690 Δ/Y	66.2	496.5	466	766
B112069	45	1480	400/690 Δ/Y	80.1	608.8	496	796
B112070	55	1480	400/690 Δ/Y	96.7	705.9	569	883
B112071	75	1480	400/690 Δ/Y	131.0	995.6	686	958
B112072	7.5	970	400/690 Δ/Y	15.9	103.4	256	566
B112073	11	970	400/690 Δ/Y	22.1	165.8	269	621
B112074	15	975	400/690 Δ/Y	29.8	190.7	354	691
B112075	18.5	980	400/690 Δ/Y	36.5	255.5	392	723
B112076	22	980	400/690 Δ/Y	41.6	291.2	407	723

All indicated values for 400 V/50 Hz/3~.

PREM01-71-1000 Plug fan

Thermoplug by Pollrich DLK



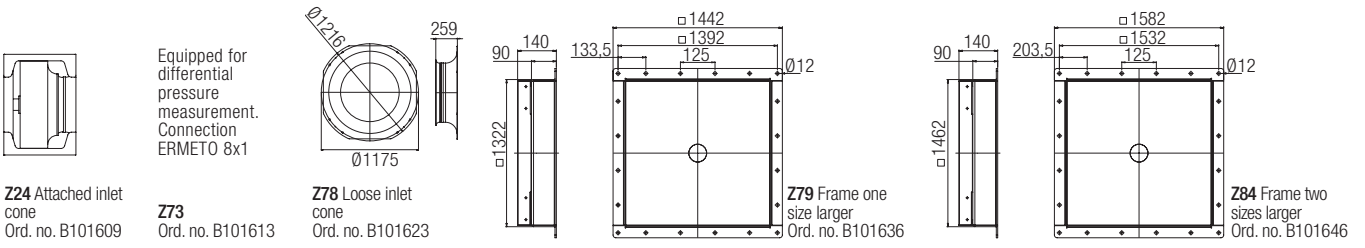
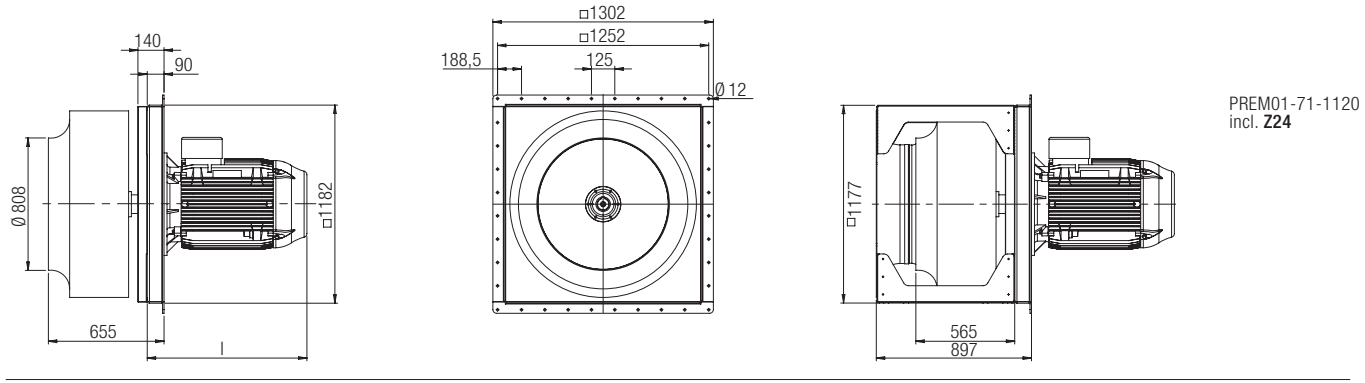
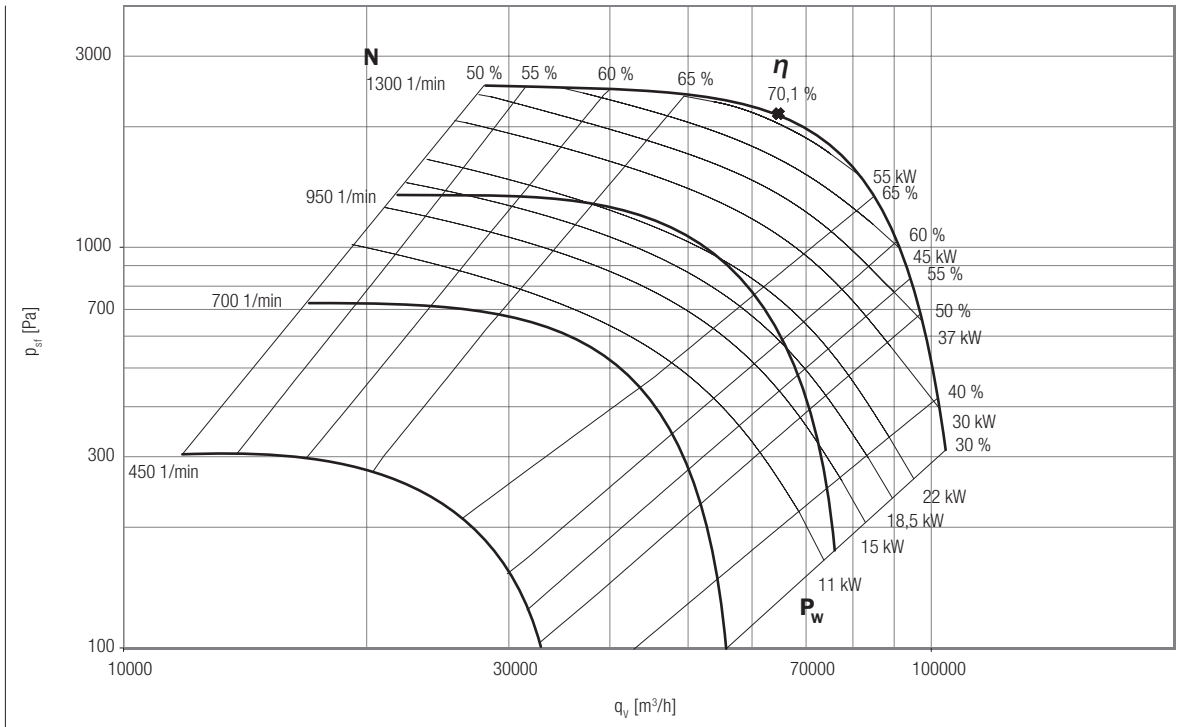
PREM01-71-1000-B

Order no. Fan	Motor power output [kW]	Speed [1/min]	Voltage [V] Connection	Nominal current [A]	Starting current [A]	Weight ca. [kg]	I [mm]
B112077	37	1480	400/690 Δ/Y	66.2	496.5	495	766
B112078	45	1480	400/690 Δ/Y	80.1	608.8	525	796
B112079	55	1480	400/690 Δ/Y	96.7	705.9	598	883
B112080	75	1480	400/690 Δ/Y	131.0	995.6	715	958
B112081	90	1480	400/690 Δ/Y	157.0	1177.5	815	1008
B112082	15	975	400/690 Δ/Y	29.8	190.7	383	691
B112083	18.5	980	400/690 Δ/Y	36.5	255.5	421	723
B112084	22	980	400/690 Δ/Y	41.6	291.2	436	723
B112085	30	980	400/690 Δ/Y	56.2	365.3	502	861
B112086	37	980	400/690 Δ/Y	66.9	461.6	582	883
B112087	11	730	400/690 Δ/Y	23.4	140.4	345	691

All indicated values for 400 V/50 Hz/3~.

PREM01-71-1120 Plug fan

Thermoplug by Pollrich DLK



PREM01-71-1120-B

Order no. Fan	Motor power output [kW]	Speed [1/min]	Voltage [V] Connection	Nominal current [A]	Starting current [A]	Weight ca. [kg]	l [mm]
B112088	75	75	1480	400/690 Δ/Y	131.0	995.6	750
B112089	90	90	1480	400/690 Δ/Y	157.0	1177.5	850
B112090	110	110	1485	400/690 Δ/Y	191.0	1356.1	1170
B112091	18.5	18.5	980	400/690 Δ/Y	36.5	255.5	456
B112092	22	22	980	400/690 Δ/Y	41.6	291.2	471
B112093	30	30	980	400/690 Δ/Y	56.2	365.3	537
B112094	37	37	980	400/690 Δ/Y	66.9	461.6	617
B112095	45	45	980	400/690 Δ/Y	80.4	562.8	733
B112096	55	55	980	400/690 Δ/Y	96.6	685.9	782
B112097	75	75	985	400/690 Δ/Y	132.1	964.3	1153
B112098	11	11	730	400/690 Δ/Y	23.4	140.4	380
B112099	15	15	730	400/690 Δ/Y	32.1	211.9	448

All indicated values for 400 V/50 Hz/3~.

POLLRICHDLK®
FAN FACTORIES

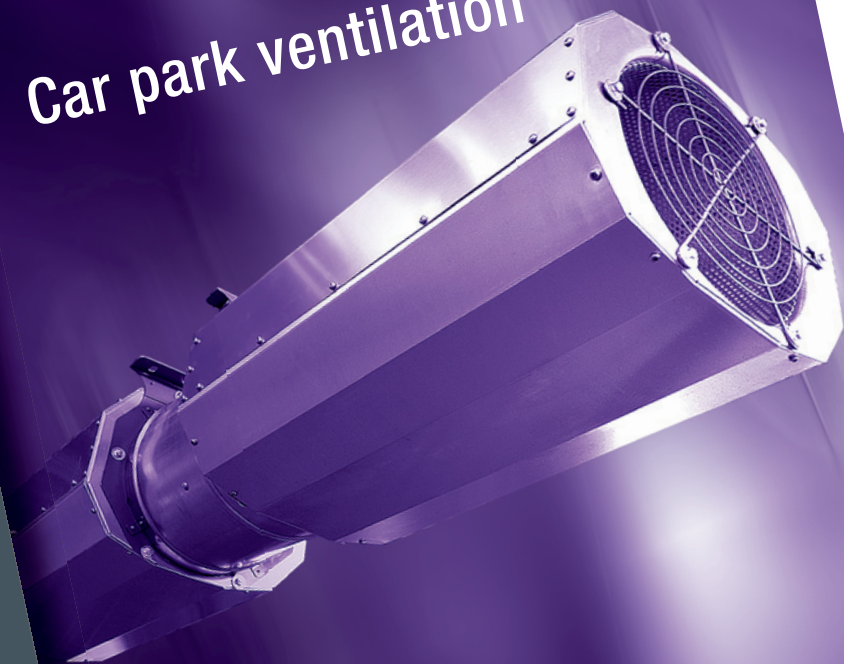
Smoke extraction fans
The basic series



... you should get to know!

POLLRICHDLK®
FAN FACTORIES

Car park ventilation



... you should get to know!

POLLRICH^{DLK}[®] FAN FACTORIES



DLK Ventilatoren GmbH

Ziegeleistraße 18
D-74214 Schöntal-Berlichingen
fon +49(0) 7943 - 9102 - 0
fax +49(0) 7943 - 9102 - 10
info@pollrichdlk.com
www.pollrichdlk.com

Service-Hotline:

phone +49 (0) 79 43 - 91 02 - 77
service@pollrichdlk.com

Our service-team is available for you
around-the-clock.

- Technical advice
- Assembly
- Commissioning
- Performance tests
- Noise and vibration measurements
- Inspection
- Preventative maintenance
- Maintenance an repair
- Electronic balancing
- System optimisation

