

## CENTRIFUGAL IN-LINE FANS



### OUTER ROTOR IN-LINE FANS



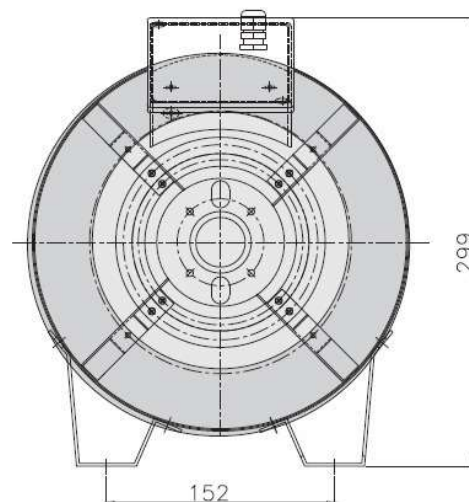
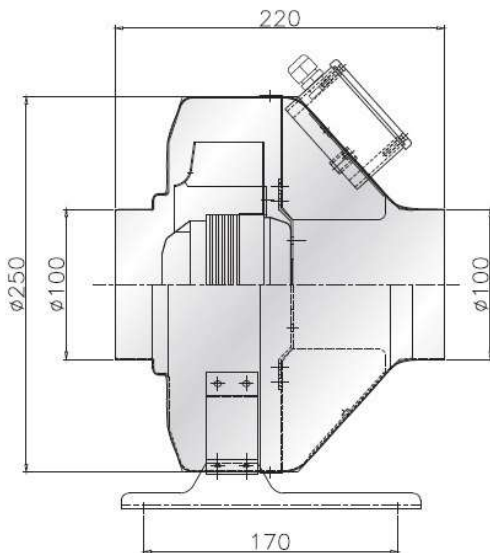
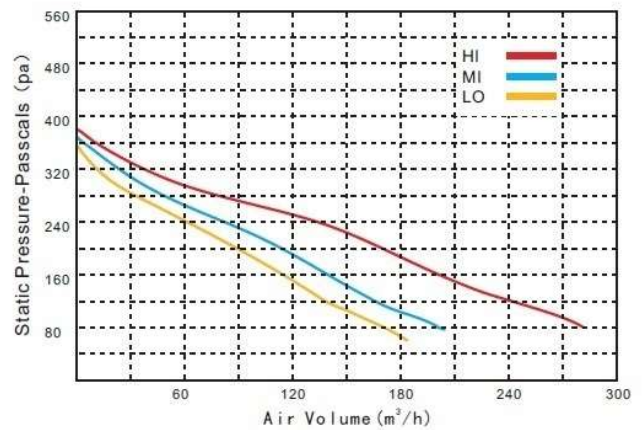
#### Products character:

- Powder coated metal housing
- Three-step controllable outer rotor type motor .
- Aerodynamic design
- High efficiency , low noise

#### Application:

- General ventilation for house, meeting room
- Exhaust air for kitchen ,bathroom
- Air circulation for growing room
- Duct boosting

BIO-100			
ITEM	Parameter		
	HI	MI	LO
(Volt/Hz)	230V 50Hz		
(Power Input:W)	72	55	47
(Ampere : A)	0.31	0.24	0.20
(Revolution: RPM)	2520	2250	2007
(Air Volume: m3/h) MAX	280	203	183
Static Pressure-Passcals (pa)	381	368	355
(Noise: dB) MAX	45	42	39
(Weight: Kg)	3		



## OUTER ROTOR IN-LINE FANS



### Products character:

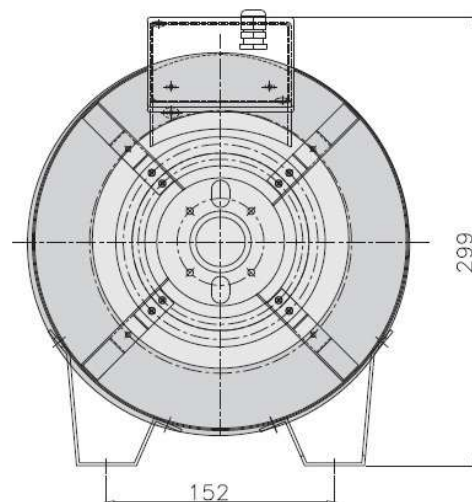
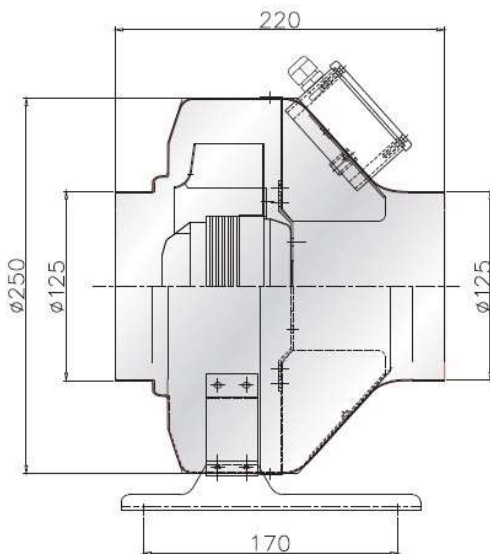
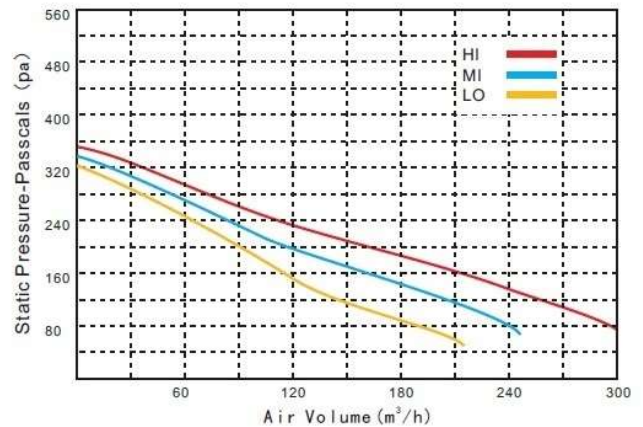
- Powder coated metal housing
- Three-step controllable outer rotor type motor .
- Aerodynamic design
- High efficiency , low noise

### Application:

- General ventilation for house, meeting room
- Exhaust air for kitchen ,bathroom
- Air circulation for growing room
- Duct boosting

### BIO-125

ITEM	Parameter		
	HI	MI	LO
(Volt/Hz)	230V 50Hz		
(Power Input: W)	75	57	49
(Ampere : A)	0.32	0.25	0.21
(Revolution: RPM)	2470	2166	1907
(Air Volume: m <sup>3</sup> /h) MAX	300	246	215
Static Pressure-Passcals (pa)	358	334	321
(Noise: dB) MAX	48	45	41
(Weight: Kg)	3		



## OUTER ROTOR IN-LINE FANS



### Products character:

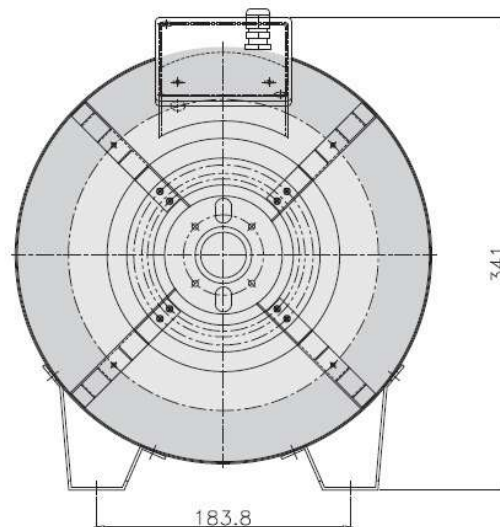
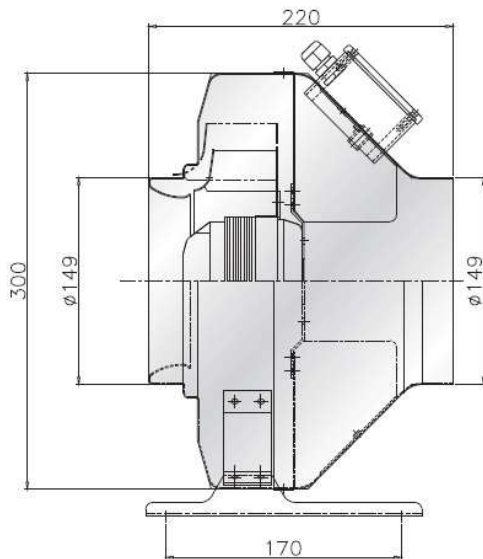
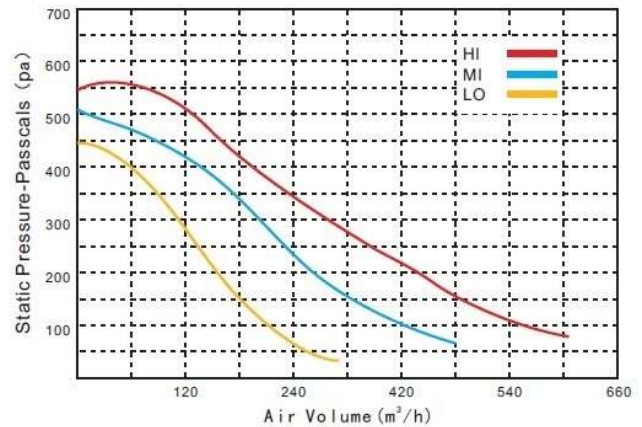
- Powder coated metal housing
- Three-step controllable outer rotor type motor .
- Aerodynamic design
- High efficiency , low noise

### Application:

- General ventilation for house, meeting room
- Exhaust air for kitchen ,bathroom
- Air circulation for growing room
- Duct boosting

### BIO-150

ITEM	Parameter		
	HI	MI	LO
(Volt/Hz)	230V 50Hz		
(Power Input: W)	139	97	63
(Ampere : A)	0.60	0.42	0.28
(Revolution: RPM)	2430	1946	1382
(Air Volume: m <sup>3</sup> /h) MAX	598	479	318
Static Pressure-Passcals (pa)	546	508	444
(Noise: dB) MAX	52	48	45
(Weight: Kg)	3		



## OUTER ROTOR IN-LINE FANS



### Products character:

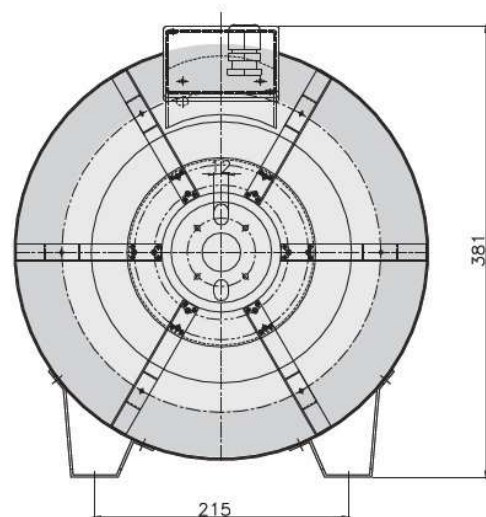
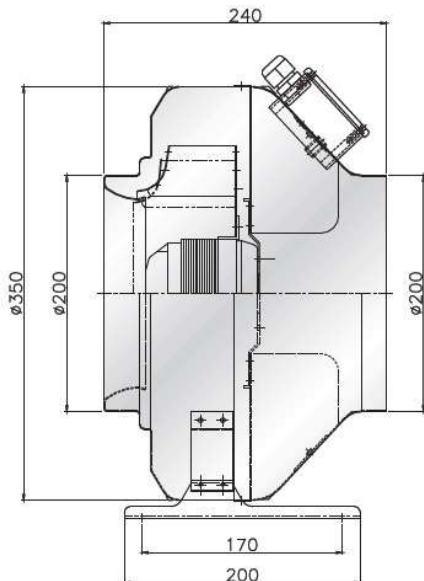
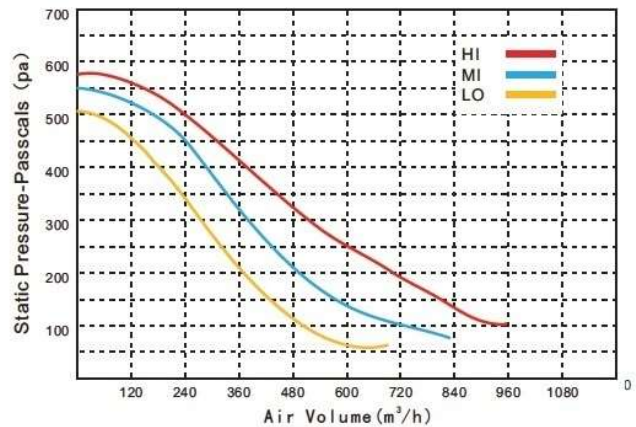
- Powder coated metal housing
- Three-step controllable outer rotor type motor .
- Aerodynamic design
- High efficiency , low noise

### Application:

- General ventilation for house, meeting room
- Exhaust air for kitchen ,bathroom
- Air circulation for growing room
- Duct boosting

### BIO-200

ITEM	Parameter		
	HI	MI	LO
(Volt/Hz)	230V 50Hz		
(Power Input: W)	160	135	110
(Ampere: A)	0.70	0.60	0.49
(Revolution: RPM)	2320	2000	1660
(Air Volume: m <sup>3</sup> /h) MAX	958	831	693
Static Pressure-Passcals (pa)	569	549	500
(Noise: dB) MAX	55	51	45
(Weight: Kg)	5.4		



### OUTER ROTOR IN-LINE FANS



#### Products character:

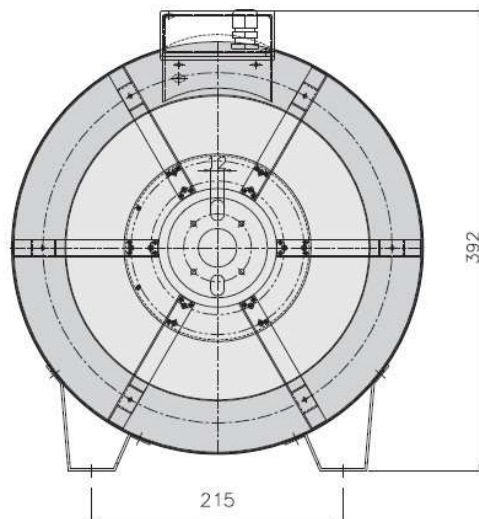
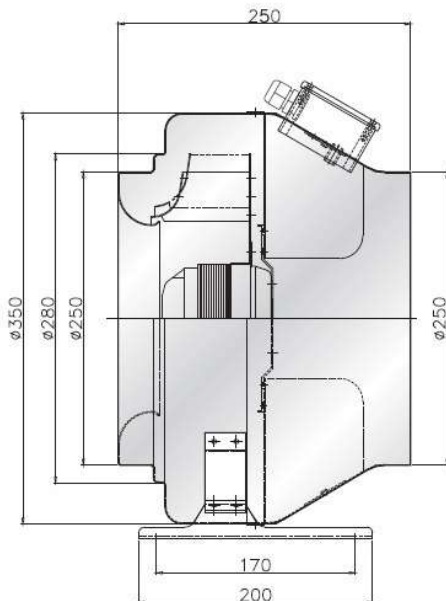
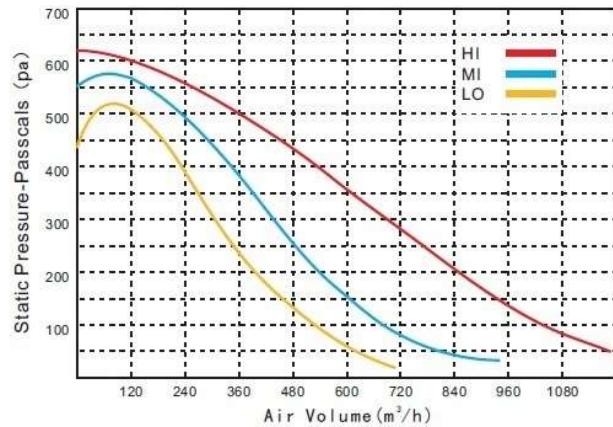
- Powder coated metal housing
- Three-step controllable outer rotor type motor .
- Aerodynamic design
- High efficiency , low noise

#### Application:

- General ventilation for house, meeting room
- Exhaust air for kitchen ,bathroom
- Air circulation for growing room
- Duct boosting

#### BIO-250

ITEM	Parameter		
	HI	MI	LO
(Volt/Hz)	230V 50Hz		
(Power Input: W)	165	139	112
(Ampere: A)	0.71	0.60	0.49
(Revolution: RPM)	2320	2000	1658
(Air Volume: m <sup>3</sup> /h) MAX	1184	938	707
Static Pressure-Passcals (pa)	620	550	440
(Noise: dB) MAX	57	54	50
(Weight: Kg)	5.4		



**OUTER ROTOR IN-LINE FANS**



**Products character:**

- Powder coated metal housing
- Three-step controllable outer rotor type motor .
- Aerodynamic design
- High efficiency , low noise

**Application:**

- General ventilation for house, meeting room
- Exhaust air for kitchen ,bathroom
- Air circulation for growing room
- Duct boosting

**BIO-300**

ITEM	Parameter		
	HI	MI	LO
(Volt/Hz)	230V 50Hz		
(Power Input: W)	180	159	140
(Ampere: A)	0.78	0.69	0.61
(Revolution: RPM)	2240	2015	1783
(Air Volume: m <sup>3</sup> /h) MAX	1480	1397	1232
Static Pressure-Passcals (pa)	710	665	610
(Noise: dB) MAX	60	56	53
(Weight: Kg)	6.2		

